



US00D559943S

(12) **United States Design Patent**  
**Mercer**

(10) **Patent No.:** **US D559,943 S**  
(45) **Date of Patent:** **\*\* Jan. 15, 2008**

(54) **SOLAR WATER PURIFIER**

(76) Inventor: **Richard D. Mercer**, 19827  
Cypresswood Estates Run, Spring, TX  
(US) 77373

(\*\*) Term: **14 Years**

(21) Appl. No.: **29/250,540**

(22) Filed: **Nov. 20, 2006**

(51) **LOC (8) Cl.** ..... **23-01**

(52) **U.S. Cl.** ..... **D23/208; D23/207**

(58) **Field of Classification Search** ..... D23/207,  
D23/208, 209; 422/264-265; 210/175,  
210/748, 416.2

See application file for complete search history.

(56) **References Cited**

**U.S. PATENT DOCUMENTS**

4,217,331	A *	8/1980	Schaub	.....	422/265
4,630,634	A *	12/1986	Sasaki et al.	.....	137/268
5,053,205	A *	10/1991	Taylor et al.	.....	422/265
5,055,183	A *	10/1991	Buchan	.....	210/85
D451,979	S *	12/2001	VanErdewyk	.....	D23/208
6,730,509	B2 *	5/2004	VanErdewyk	.....	435/262

\* cited by examiner

*Primary Examiner*—Robin V. Webster  
(74) *Attorney, Agent, or Firm*—Kenneth L. Nash

(57) **CLAIM**

The ornamental design for a solar water purifier, as shown and described.

**DESCRIPTION**

FIG. 1 is a perspective view of the solar water purifier according to the present invention.

FIG. 2 is a front elevational view of the solar water purifier according to the present invention.

FIG. 3 is a rear elevational view of the solar water purifier according to the present invention.

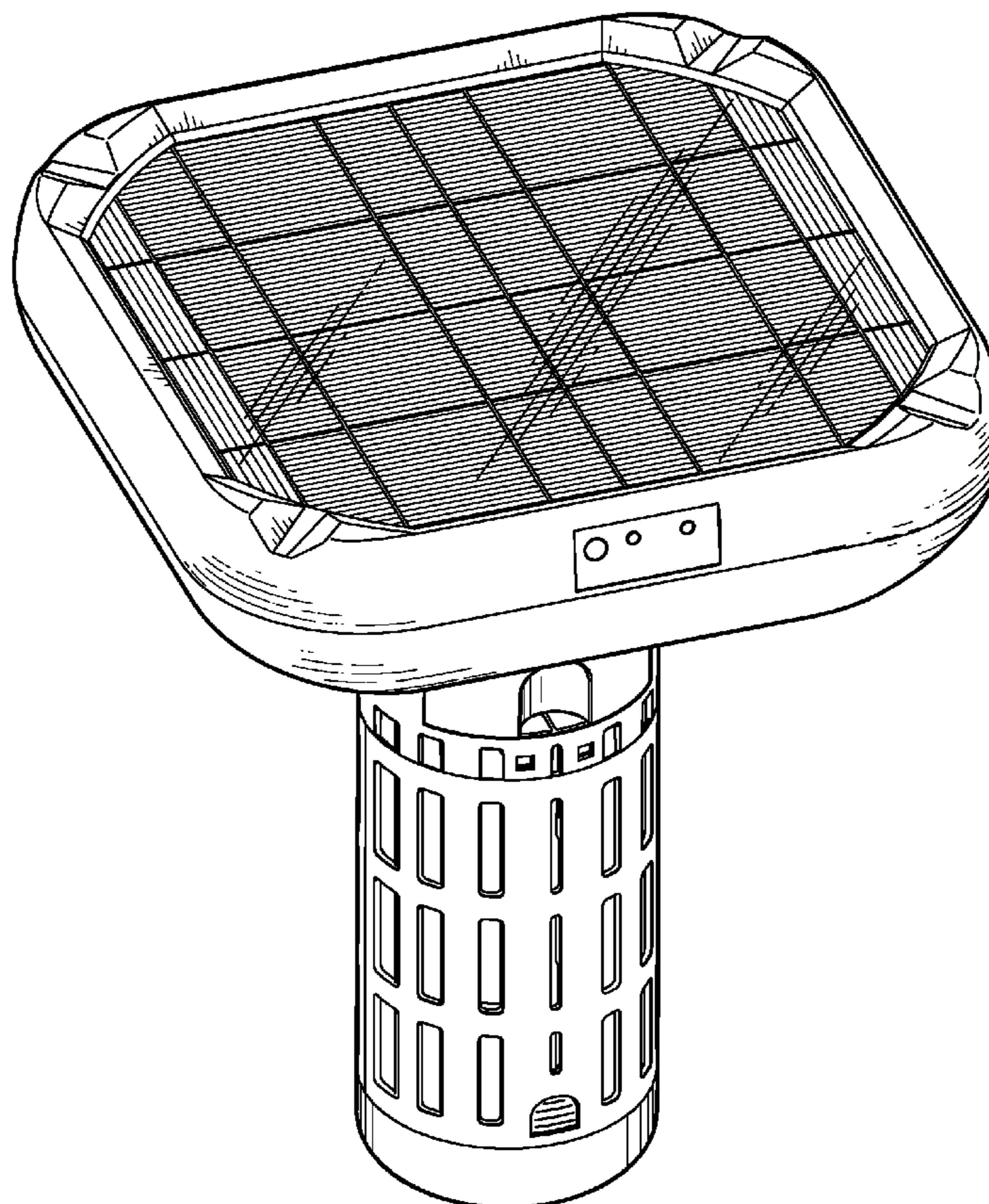
FIG. 4 is a right side elevational view of the solar water purifier according to the present invention.

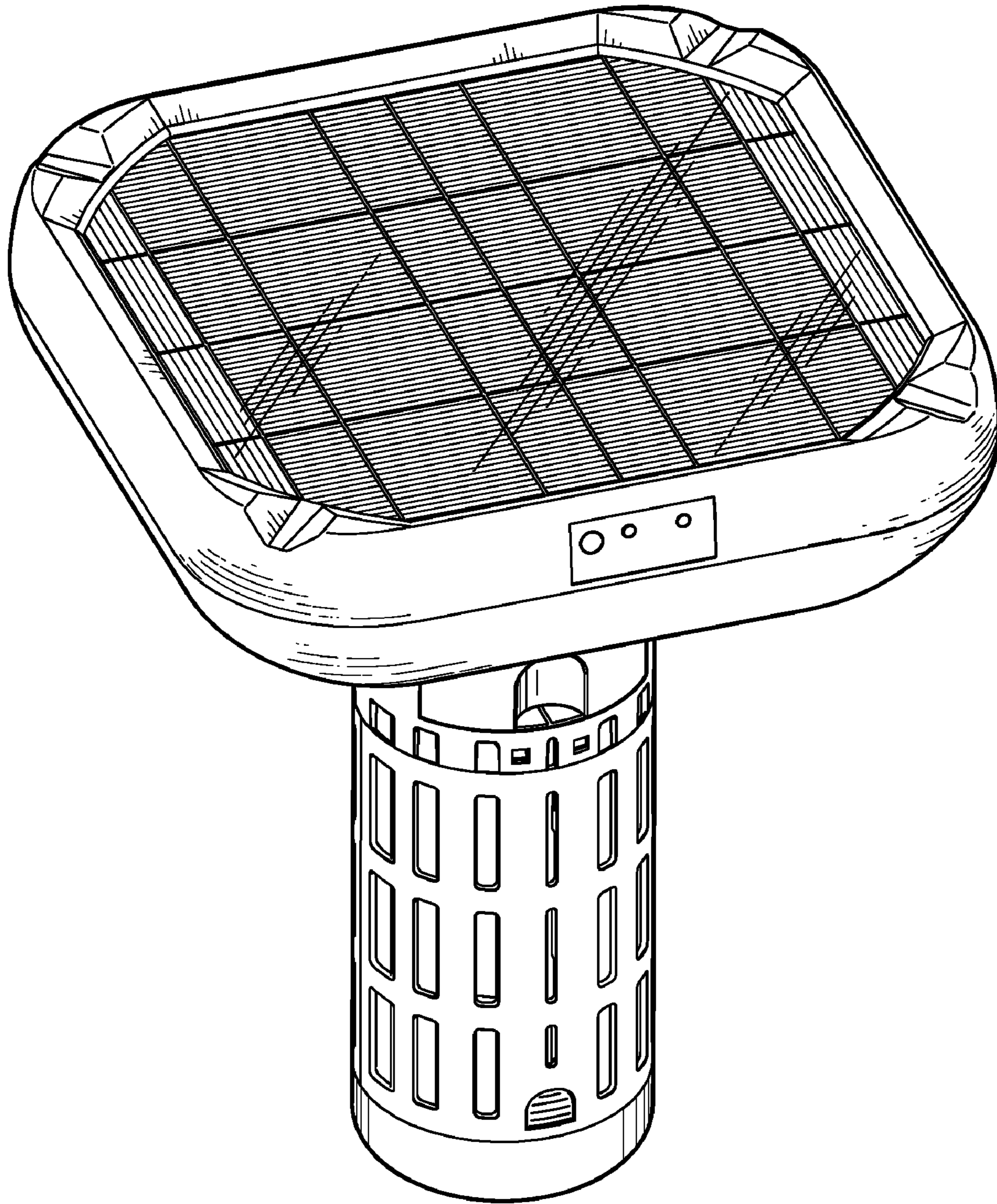
FIG. 5 is a left side elevational view of the solar water purifier according to the present invention.

FIG. 6 is a top view of the solar water purifier according to the present invention; and,

FIG. 7 is a bottom view of the solar water purifier according to the present invention.

**1 Claim, 4 Drawing Sheets**





**FIG. 1**

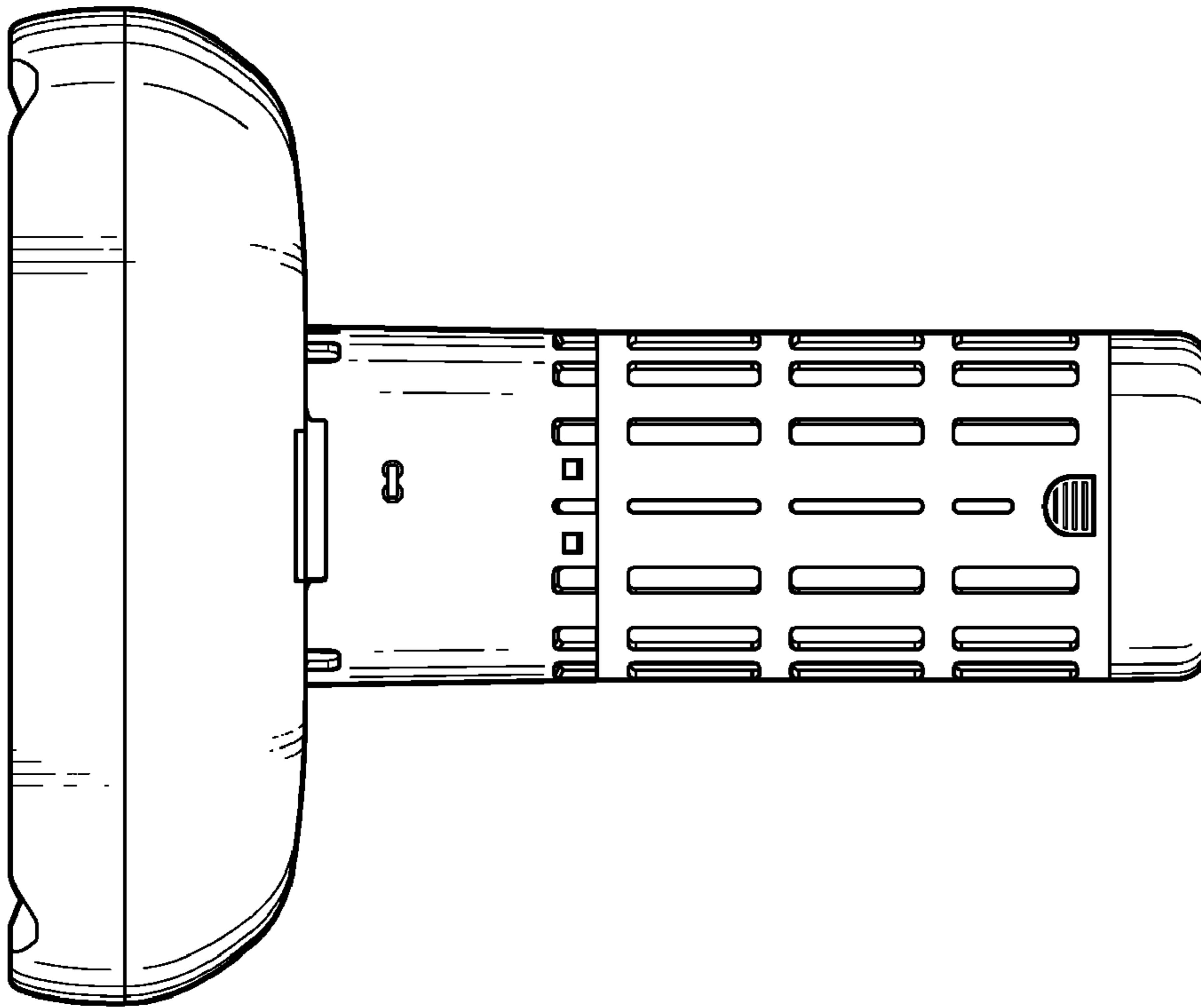


FIG. 3

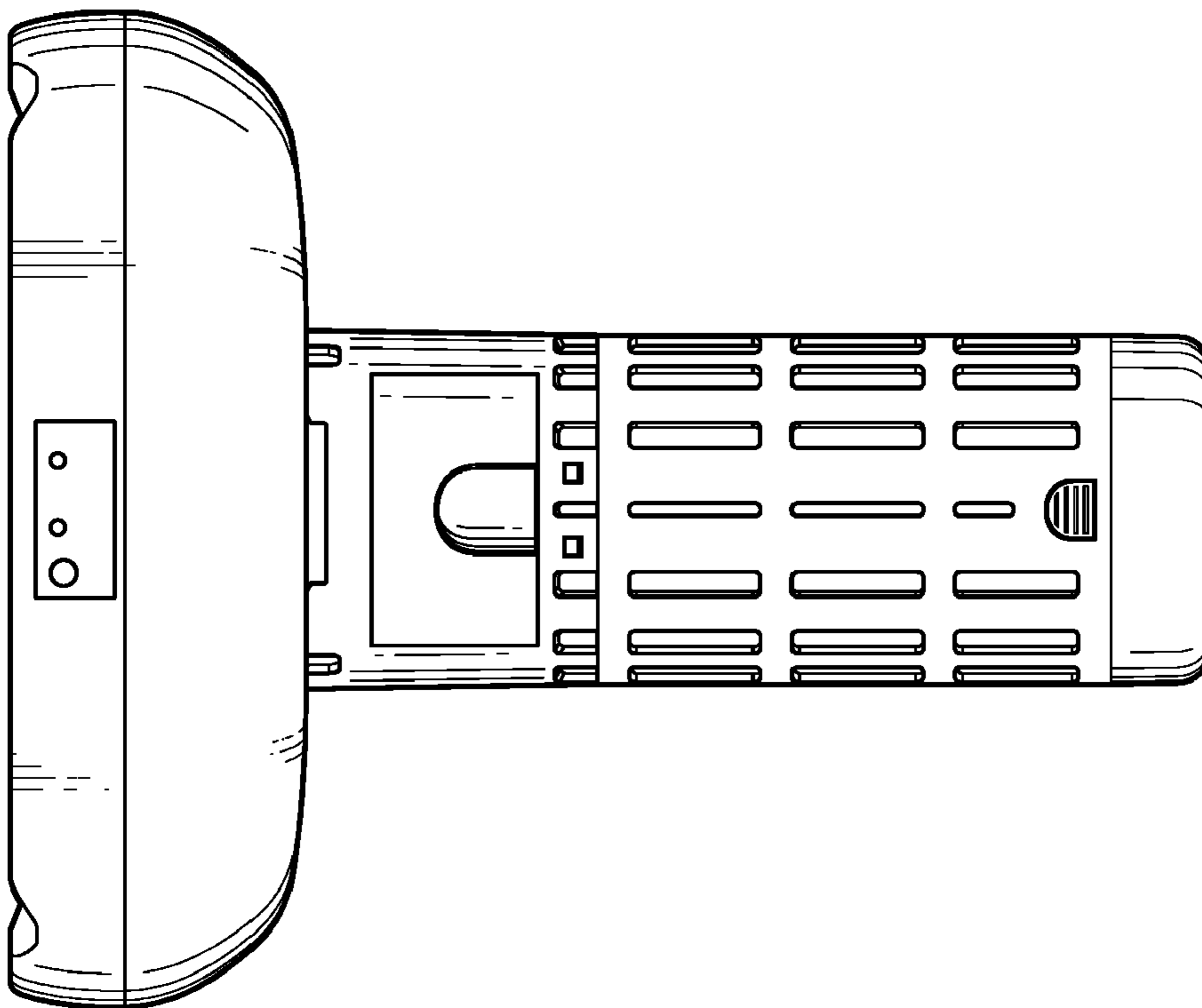
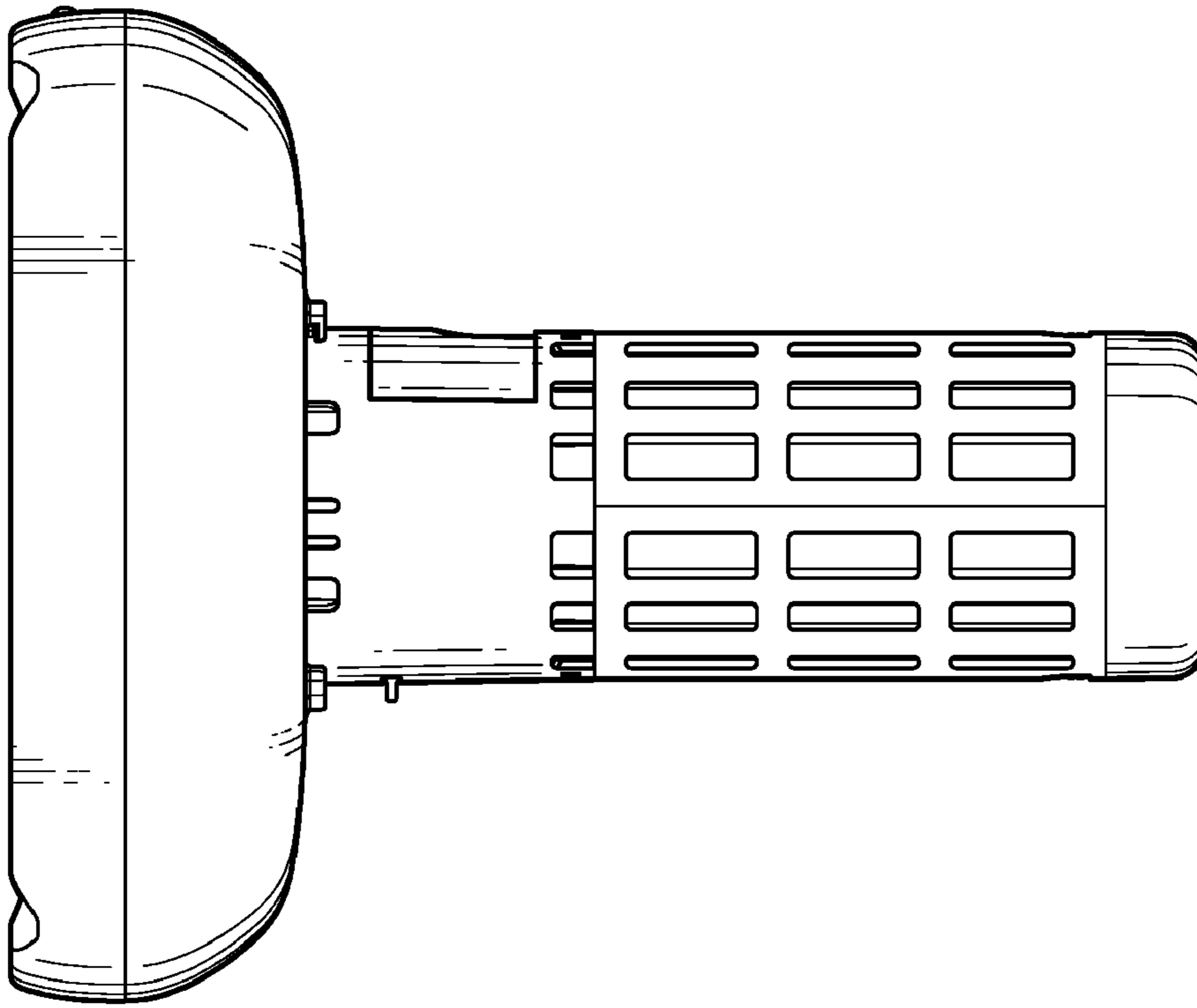
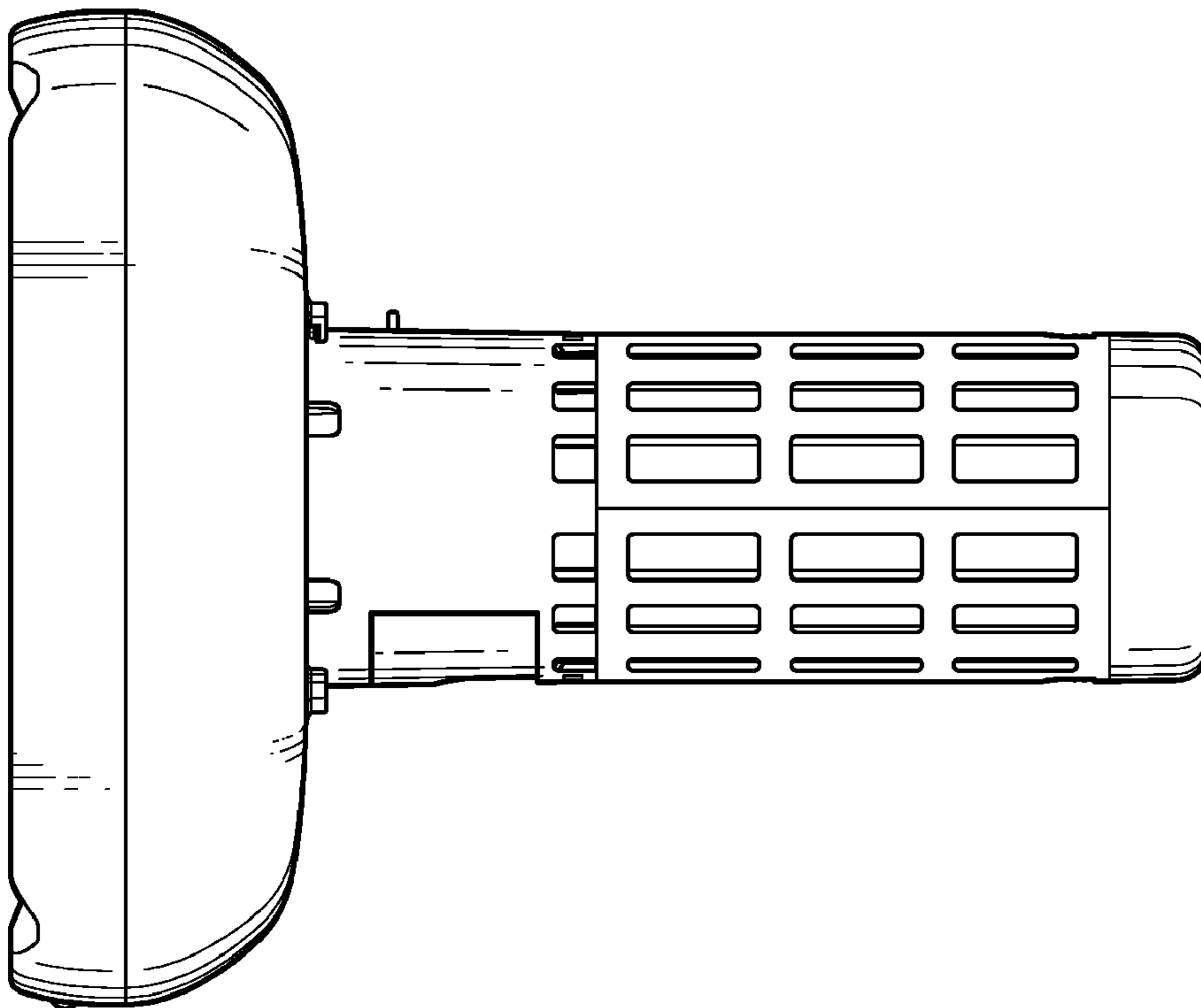


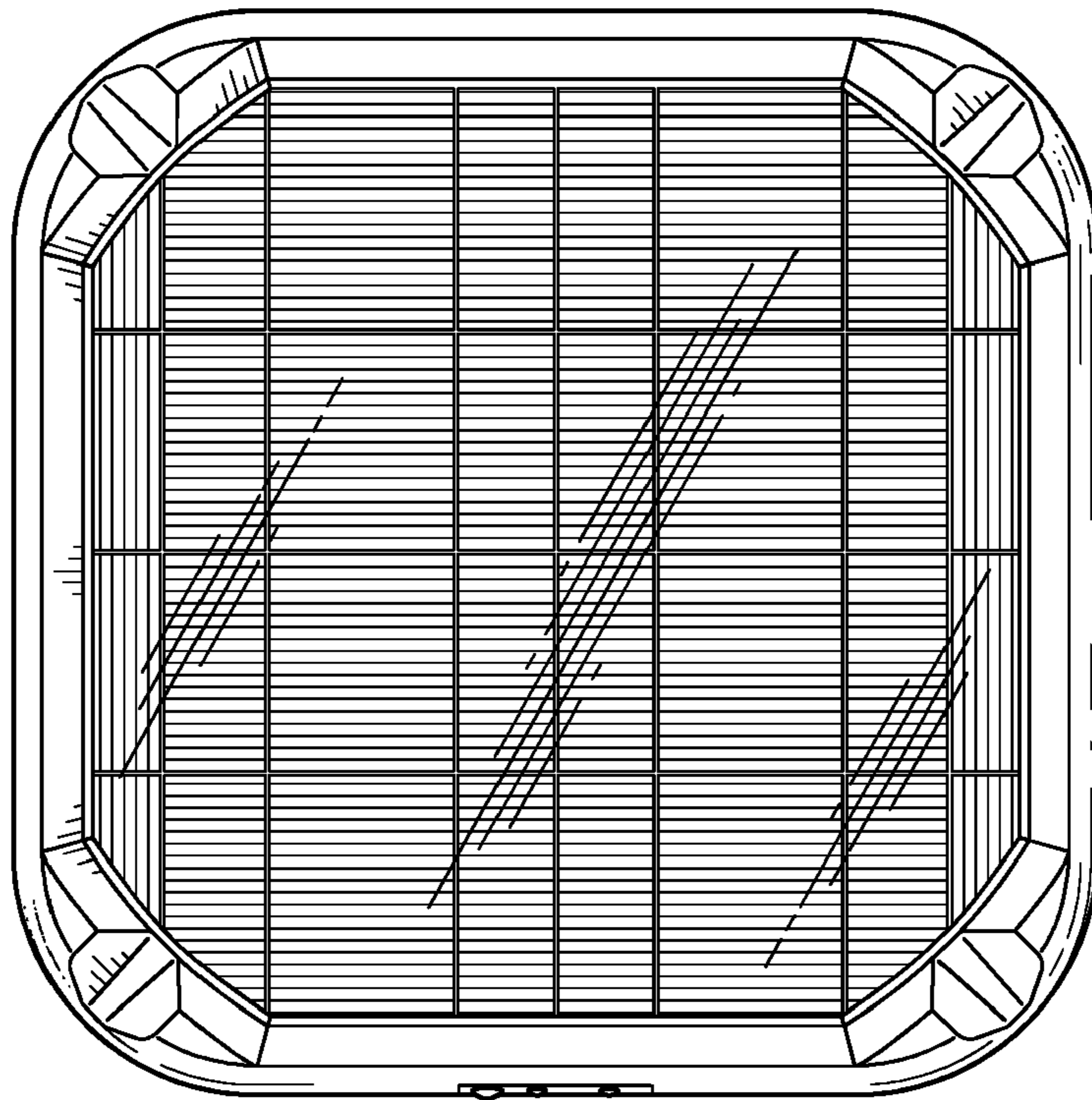
FIG. 2



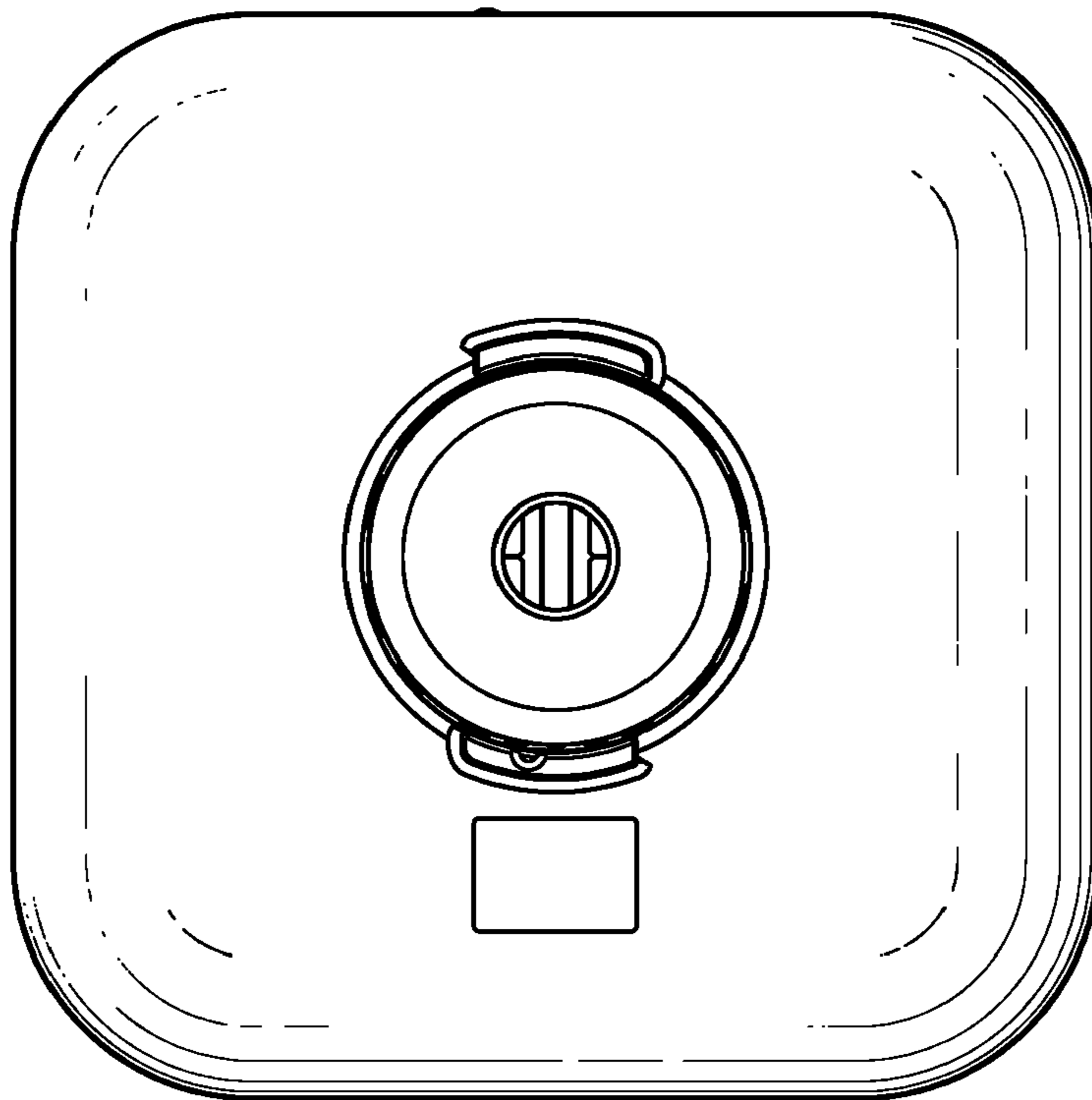
**FIG. 5**



**FIG. 4**



**FIG. 6**



**FIG. 7**