



US00D559941S

(12) **United States Design Patent**
Gomez et al.

(10) **Patent No.:** **US D559,941 S**
(45) **Date of Patent:** **** Jan. 15, 2008**

(54) **FISHERMAN'S RAPID LOADER**

(76) Inventors: **Lucio J. Gomez**, P.O. Box 615,
Goshen, CA (US) 93227; **Janie Gomez**,
P.O. Box 615, Goshen, CA (US) 93227

(**) Term: **14 Years**

(21) Appl. No.: **29/270,750**

(22) Filed: **Jan. 3, 2007**

(51) **LOC (8) Cl.** **22-05**

(52) **U.S. Cl.** **D22/149**

(58) **Field of Classification Search** D22/149,
D22/134; 43/25, 18.1; 242/902, 404.2,
242/390.8, 394, 253

See application file for complete search history.

(56) **References Cited**

U.S. PATENT DOCUMENTS

4,376,350 A 3/1983 Bednarz et al. 43/26.1

5,513,463 A 5/1996 Drinkwater 43/25
6,640,484 B1 * 11/2003 Russow 43/25
2003/0168546 A1 * 9/2003 Bankston 242/390.8

* cited by examiner

Primary Examiner—Catherine R. Oliver
(74) *Attorney, Agent, or Firm*—Raymond M. Galasso;
Galasso & Associates, LP

(57) **CLAIM**

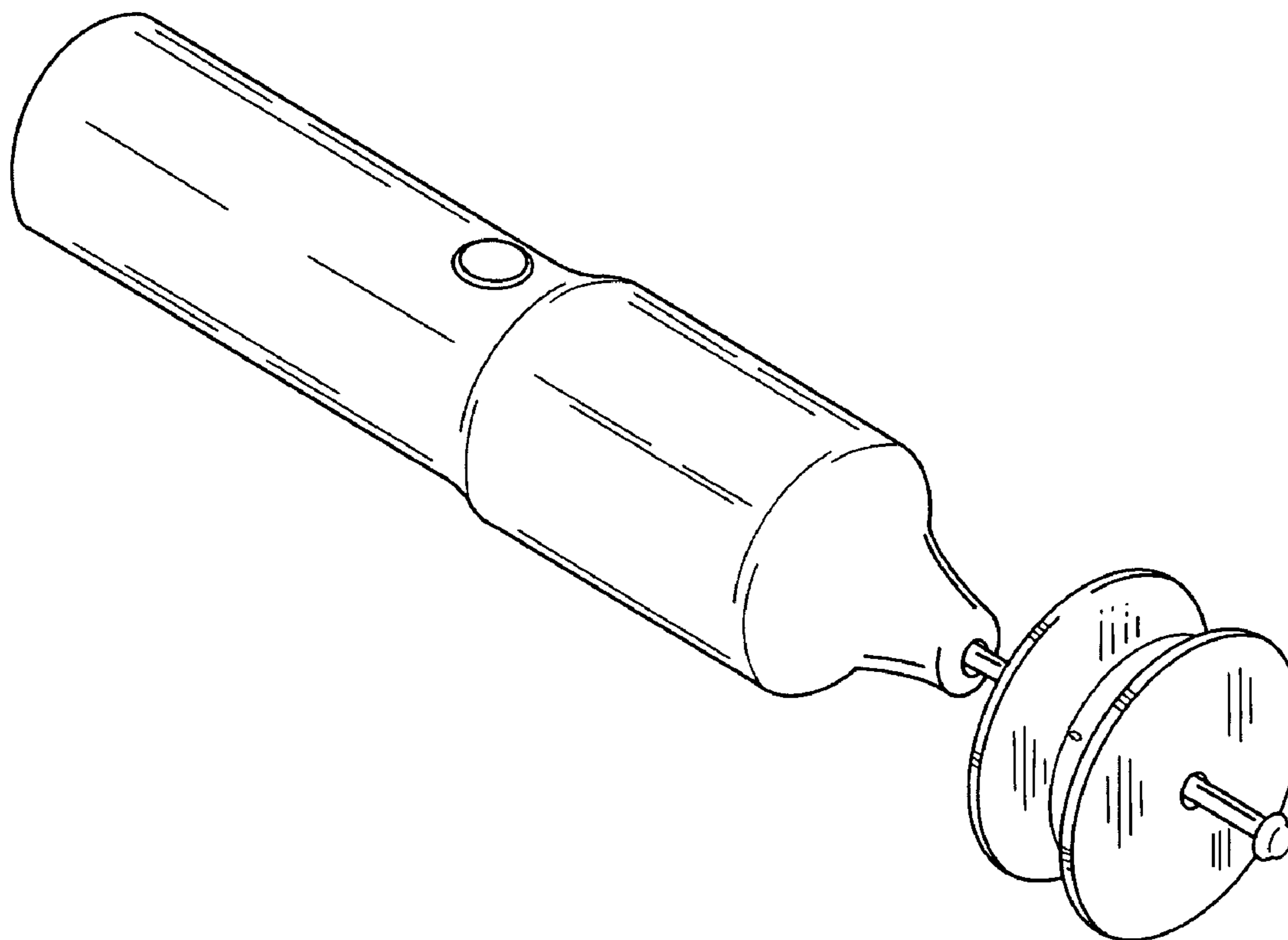
The ornamental design for a fisherman's rapid loader, as shown.

DESCRIPTION

FIG. 1 is a top perspective view of fisherman's rapid loader, showing our new design; and,

FIG. 2 is a bottom perspective view thereof.

1 Claim, 2 Drawing Sheets



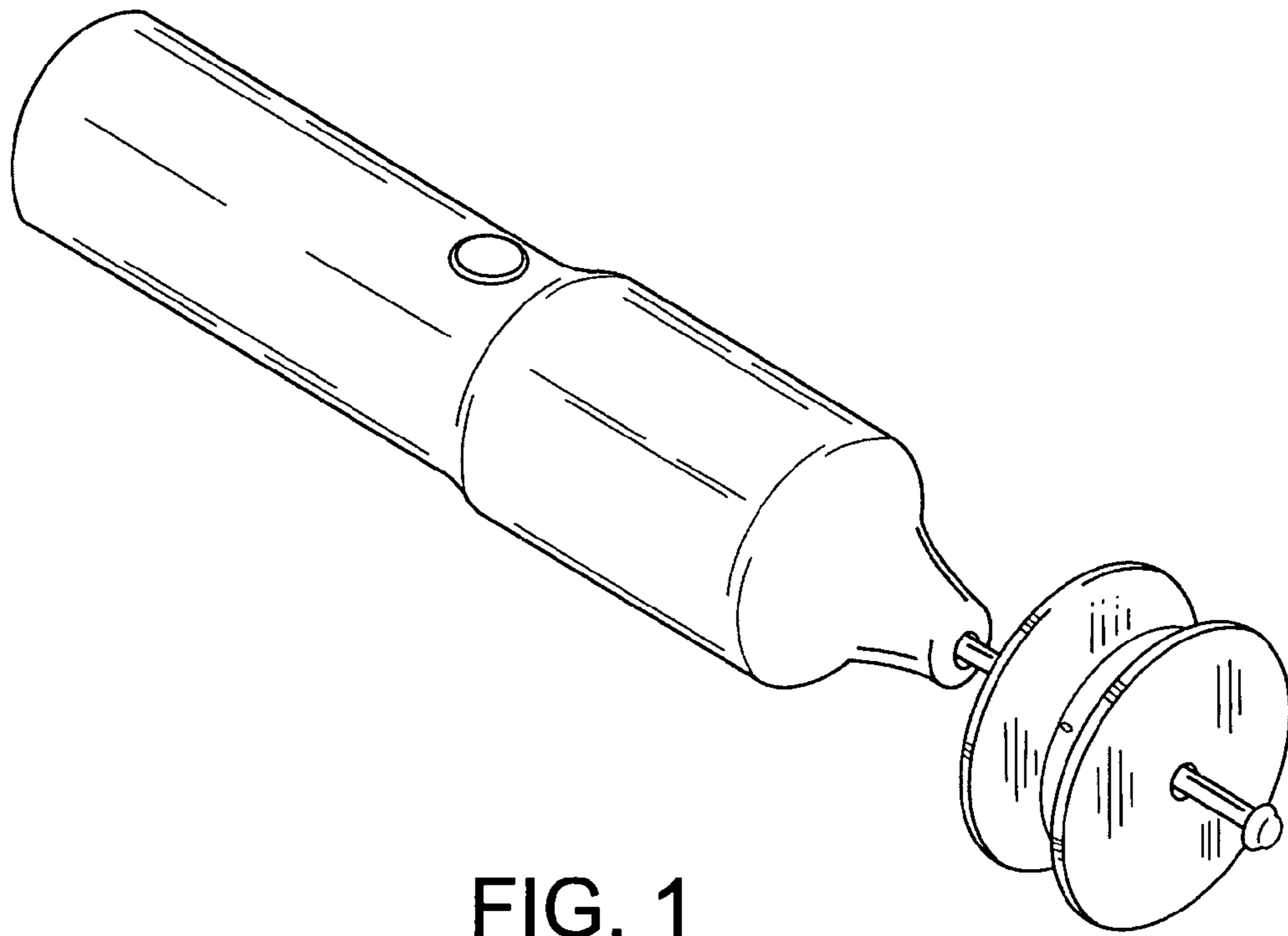


FIG. 1

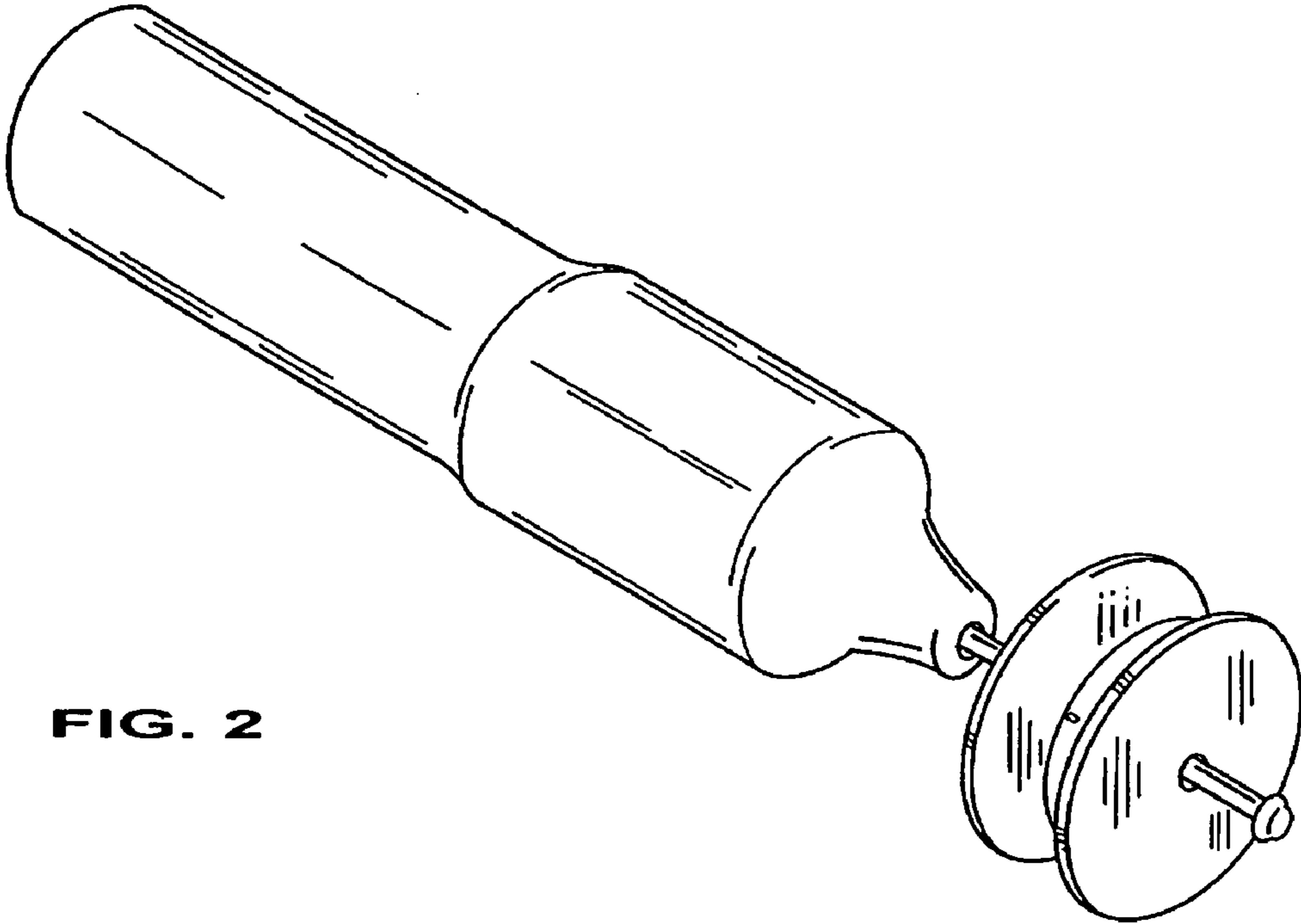


FIG. 2