



US00D559936S

(12) **United States Design Patent**
Wingerstahn

(10) **Patent No.:** **US D559,936 S**
(45) **Date of Patent:** **** Jan. 15, 2008**

(54) **TILTED HANGING AND SPINNING
PLAYGROUND DEVICE**

D381,057 S * 7/1997 Strawcutter et al. D21/814
* cited by examiner

(75) Inventor: **Paul Wingerstahn**, Fort Payne, AL
(US)

Primary Examiner—Mitchell Siegel
(74) *Attorney, Agent, or Firm*—Stephen J. Stark; Miller &
Martin PLLC

(73) Assignee: **PlayCore**, Chattanooga, TN (US)

(57) **CLAIM**

(**) Term: **14 Years**

The ornamental design for a tilted hanging and spinning
playground device, is shown and described herein.

(21) Appl. No.: **29/271,739**

(22) Filed: **Jan. 25, 2007**

DESCRIPTION

(51) **LOC (8) Cl.** **21-03**

FIG. 1 is a perspective view of a tilted hanging and spinning
playground device design;

(52) **U.S. Cl.** **D21/830**

FIG. 2 is a left side elevational view thereof, the right side
view being a mirror image thereof;

(58) **Field of Classification Search** D21/811,
D21/814, 826, 830; 472/1, 14, 29, 32; 482/33
See application file for complete search history.

FIG. 3 is a front elevational view thereof;

FIG. 4 is a rear elevational view thereof;

FIG. 5 is a top plan view thereof; and,

FIG. 6 is a bottom plan view thereof.

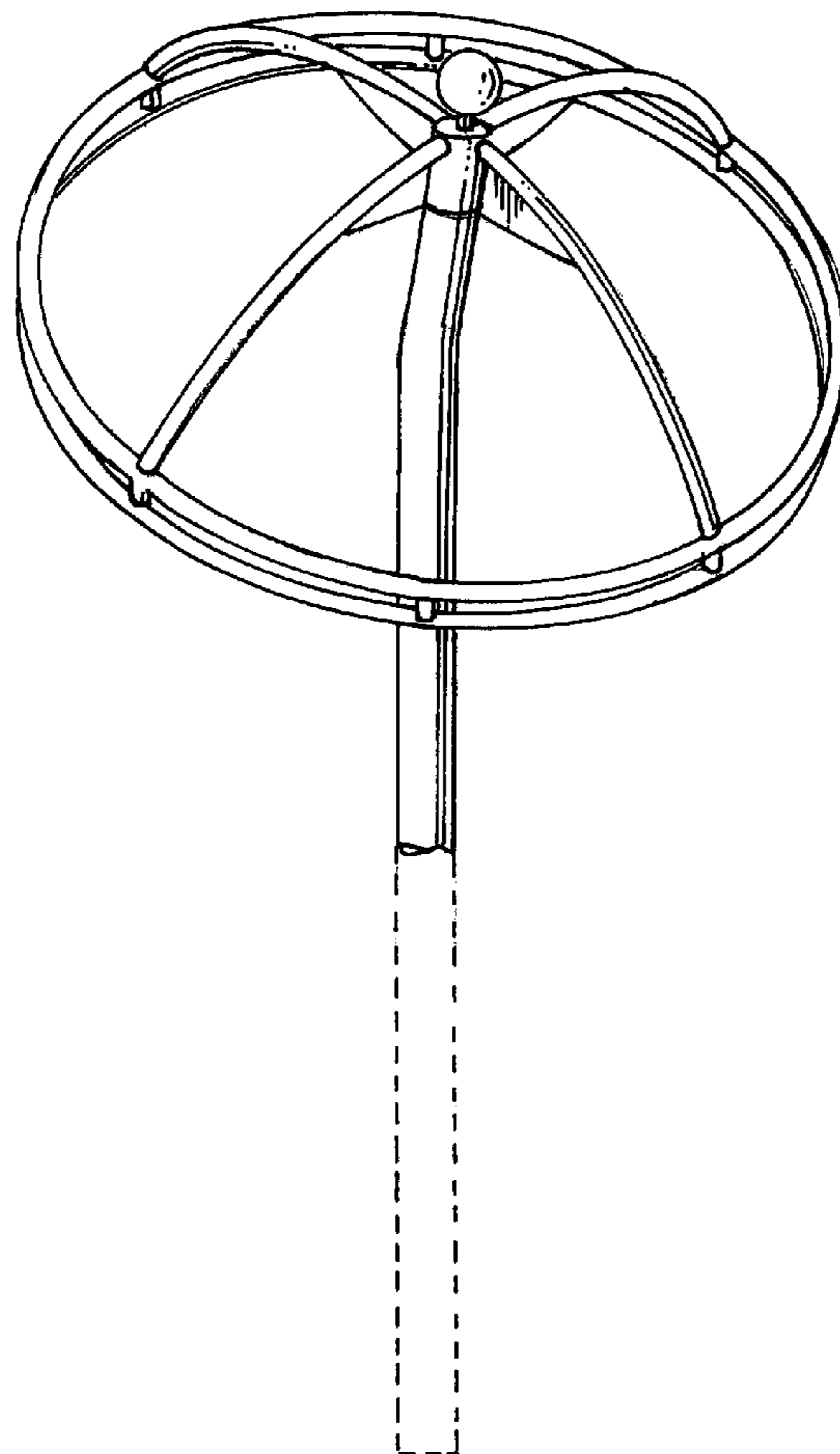
The broken line showing is included for the purpose of
illustrating and forms no part of the claimed design.

(56) **References Cited**

U.S. PATENT DOCUMENTS

- 1,916,809 A * 7/1933 Patterson 472/14
- D293,459 S * 12/1987 McCombs D21/830
- D316,889 S * 5/1991 Smith D21/830

1 Claim, 3 Drawing Sheets



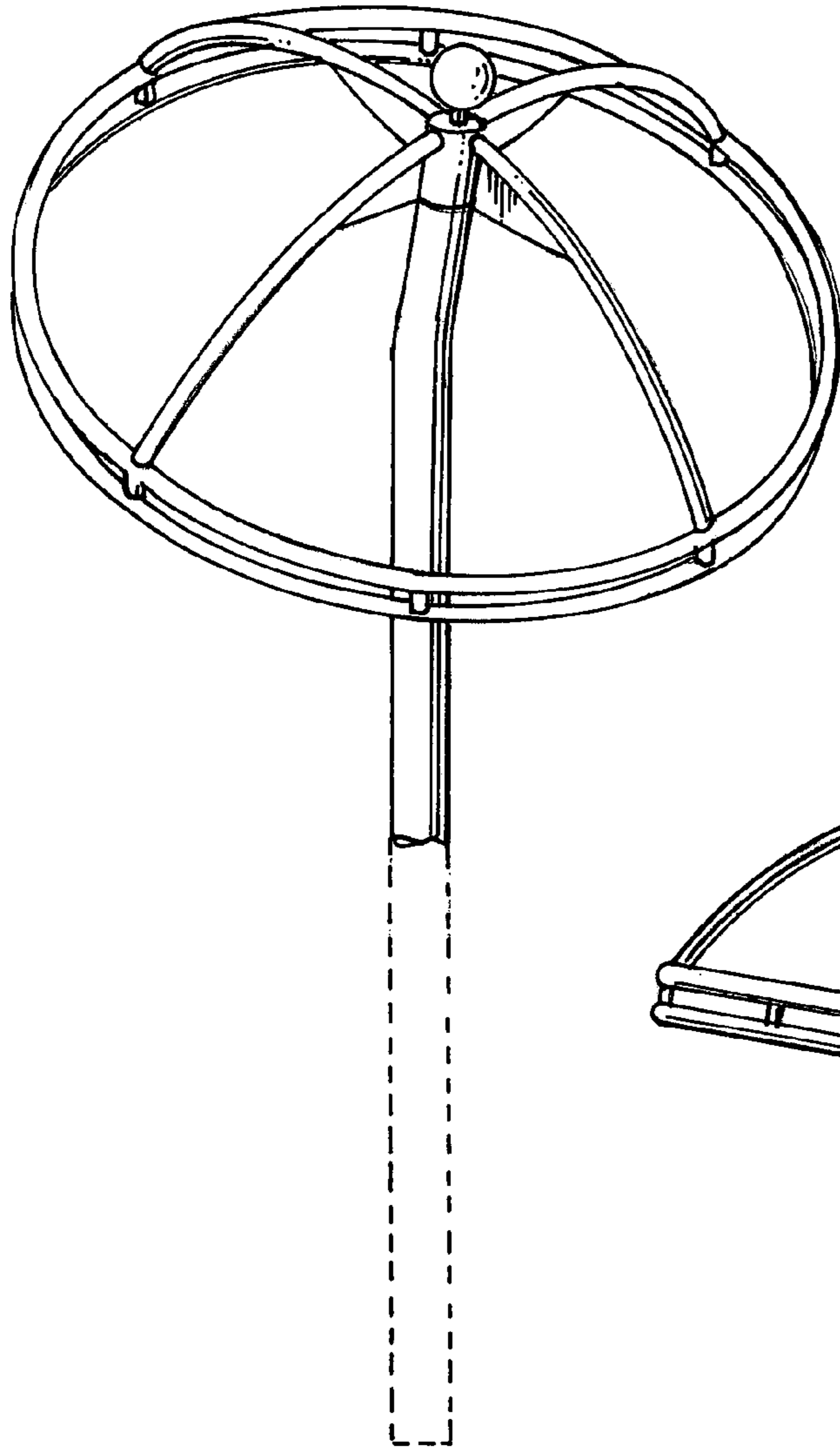


FIG. 1

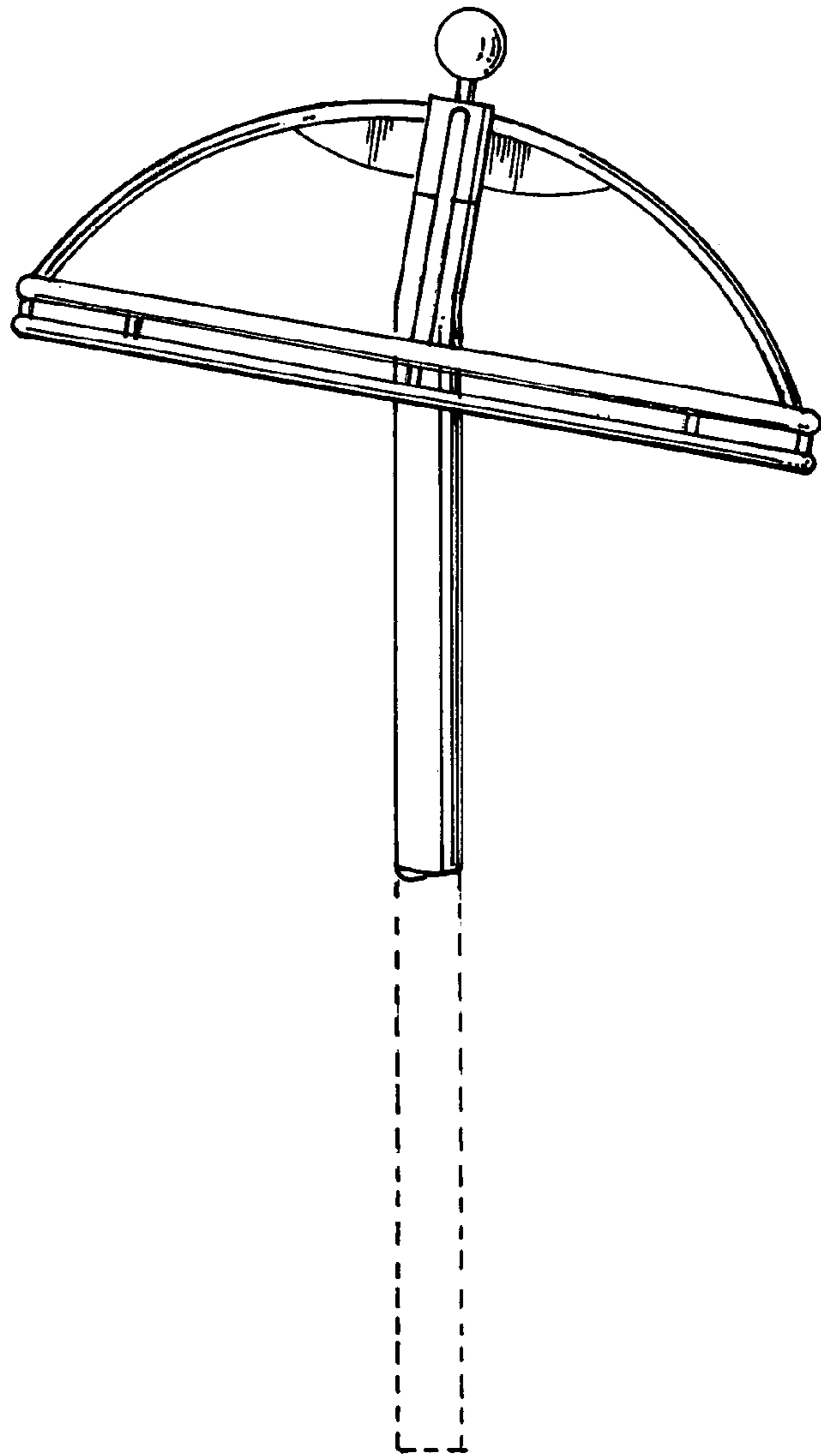


FIG. 2

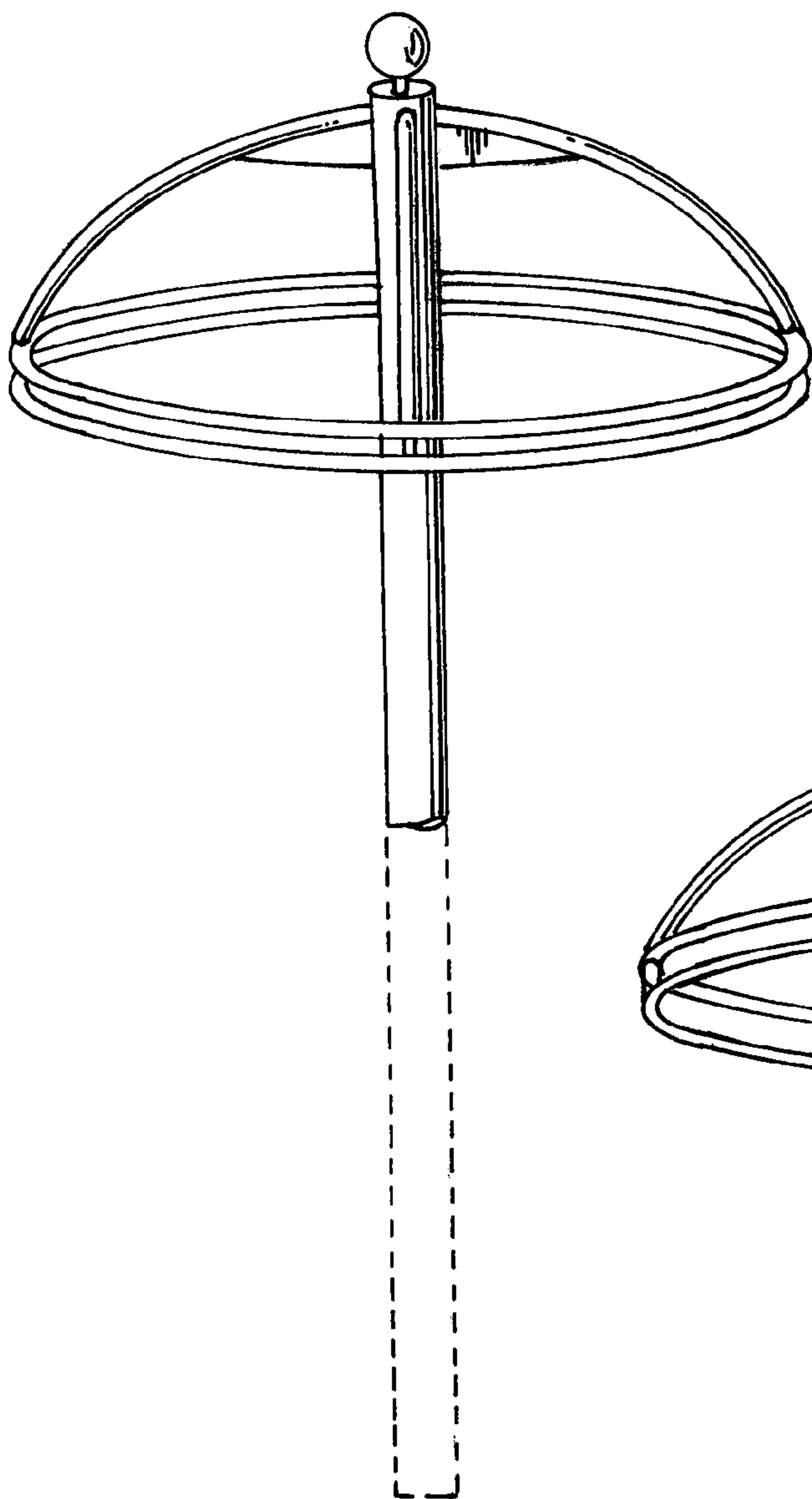


FIG. 3

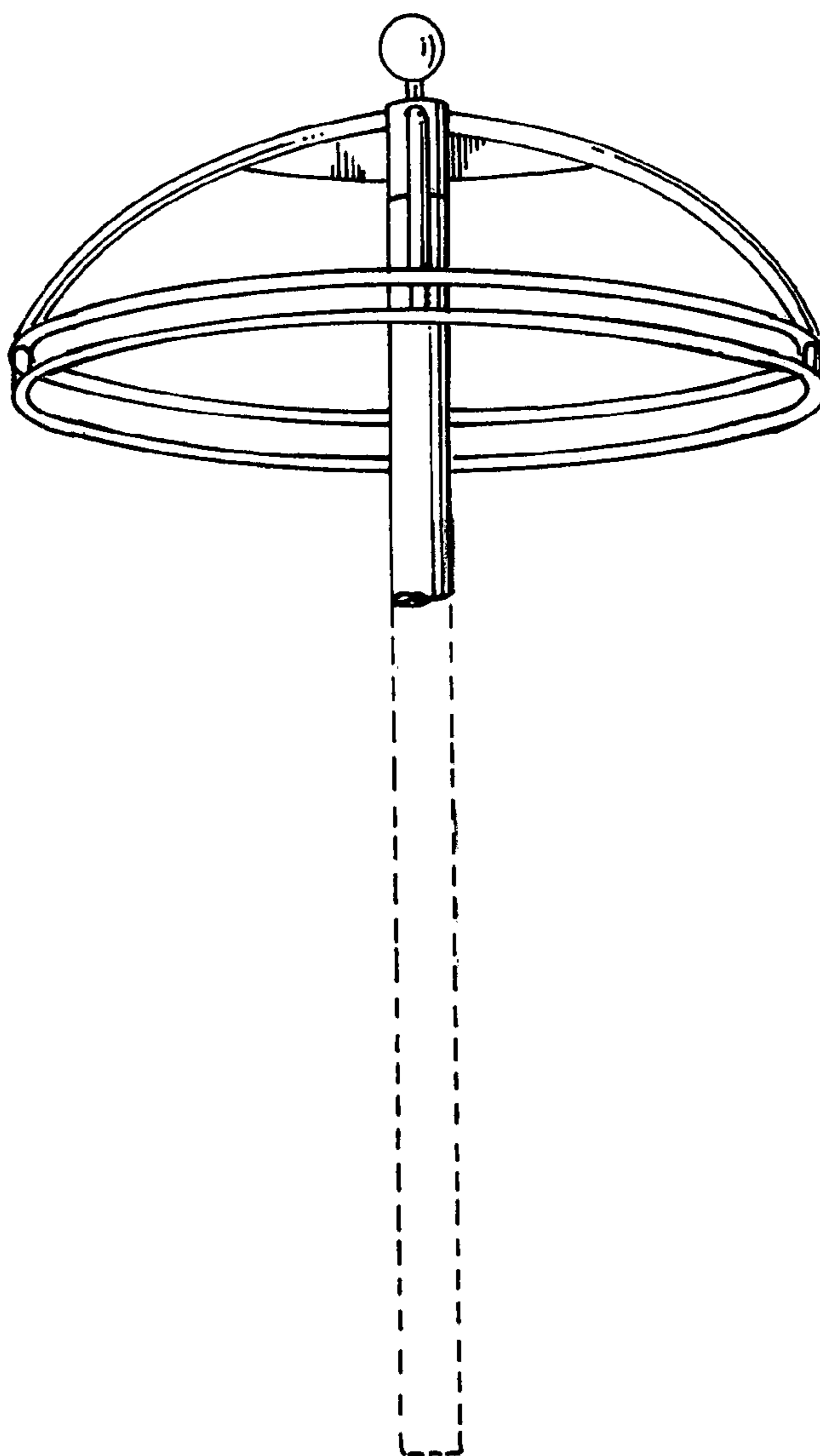


FIG. 4

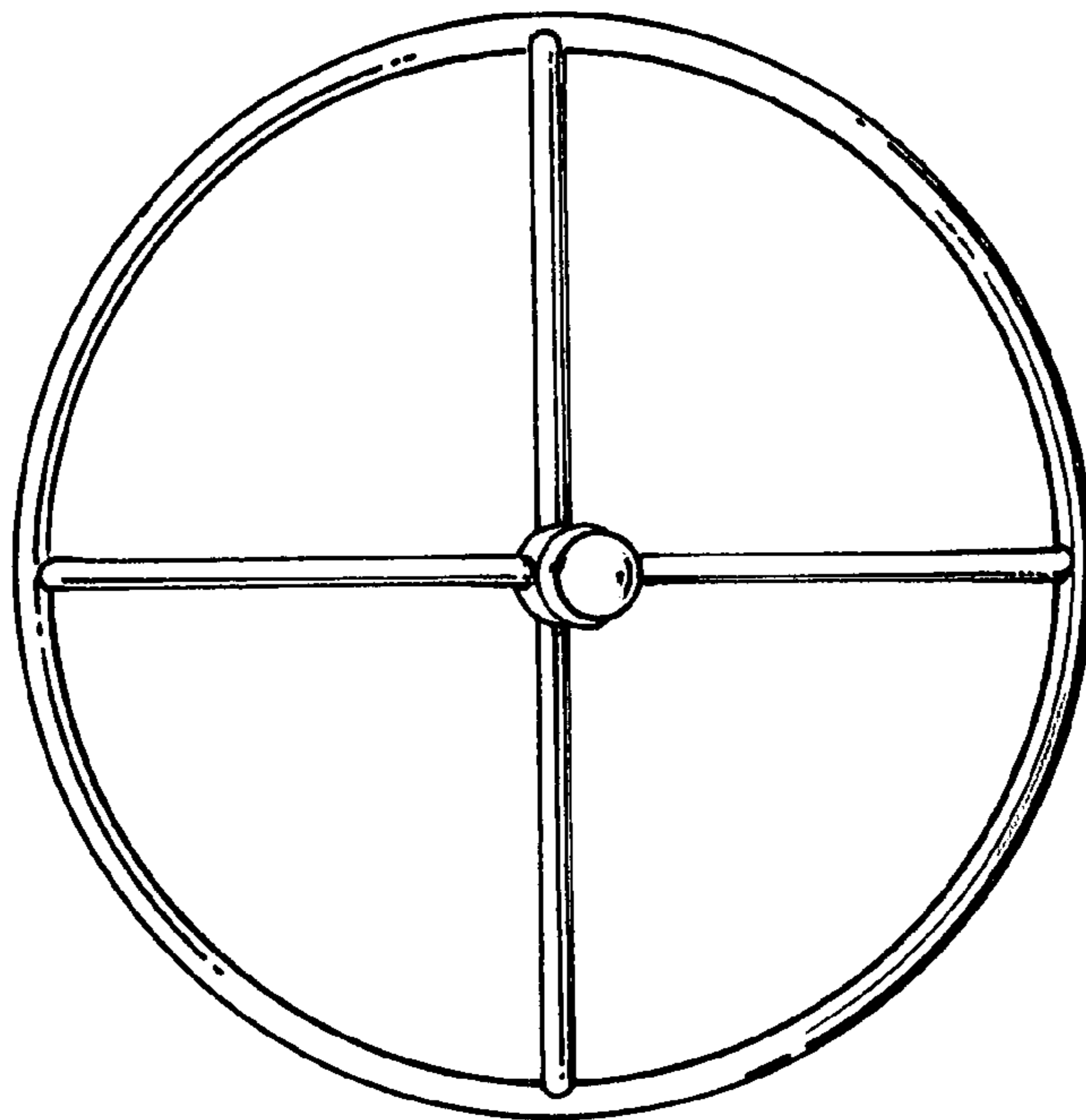


FIG. 5

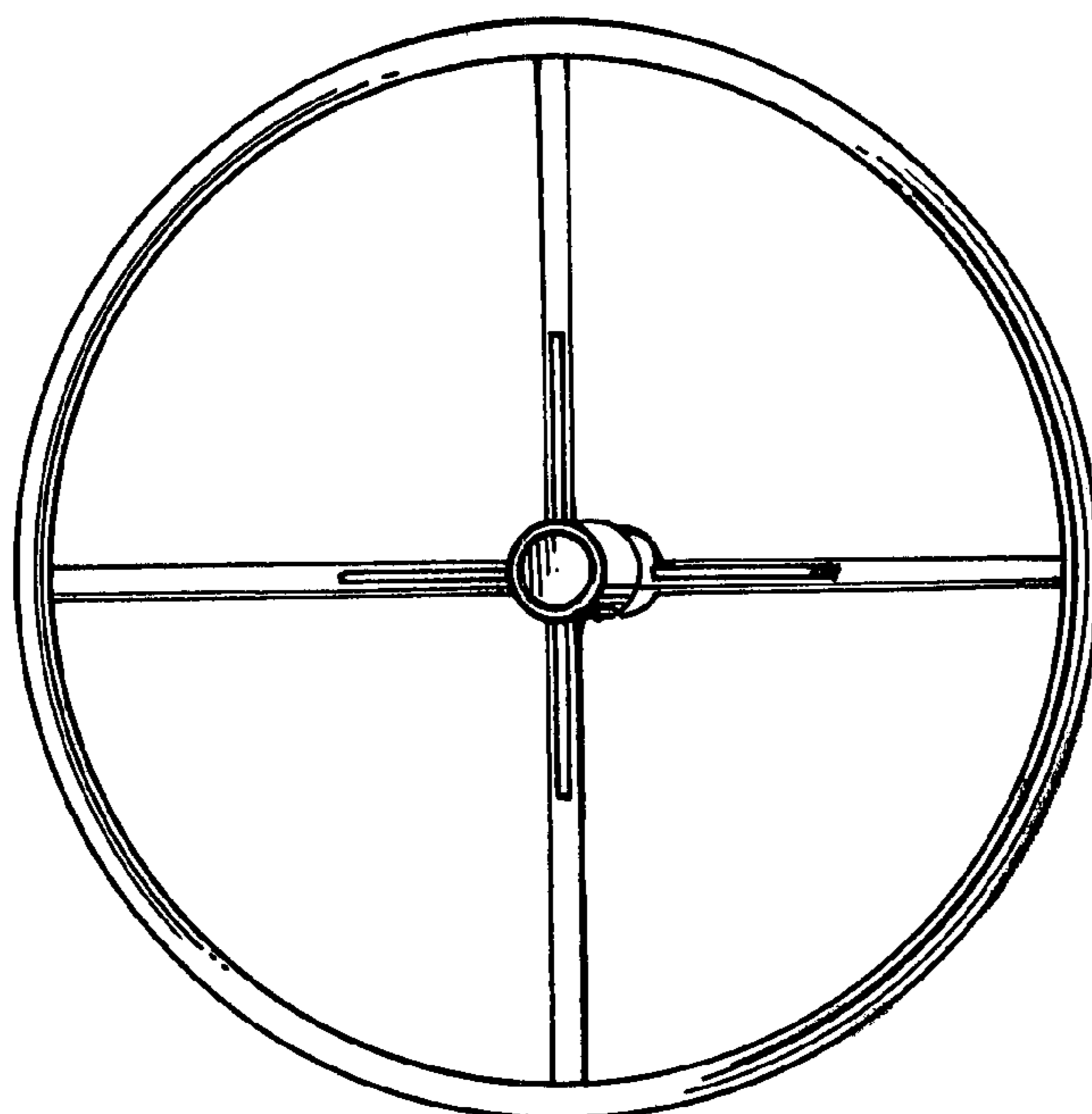


FIG. 6