

US00D559935S

(12) **United States Design Patent**
Wingerstahn

(10) **Patent No.:** **US D559,935 S**
(45) **Date of Patent:** **** Jan. 15, 2008**

(54) **SMALL HANGING AND SPINNING
PLAYGROUND DEVICE**

Primary Examiner—Mitchell Siegel
(74) *Attorney, Agent, or Firm*—Stephen J. Stark; Miller & Martin PLLC

(75) **Inventor:** **Paul Wingerstahn**, Fort Payne, AL
(US)

(73) **Assignee:** **PlayCore**, Chattanooga, TN (US)

(57) **CLAIM**

(**) **Term:** **14 Years**

The ornamental design for a small hanging and spinning playground device, is shown and described herein.

(21) **Appl. No.:** **29/271,738**

(22) **Filed:** **Jan. 25, 2007**

DESCRIPTION

(51) **LOC (8) Cl.** **21-03**
(52) **U.S. Cl.** **D21/830**
(58) **Field of Classification Search** D21/811,
D21/814, 826, 830; 472/1, 14, 29, 32; 482/33
See application file for complete search history.

FIG. 1 is a perspective view of small hanging and spinning playground device;
FIG. 2 is a top plan view thereof;
FIG. 3 is a right side elevational view thereof; the left view being a mirror image thereof;
FIG. 4 is a rear elevational view thereof;
FIG. 5 is a front elevational view thereof; and,
FIG. 6 is a bottom plan view thereof.

(56) **References Cited**

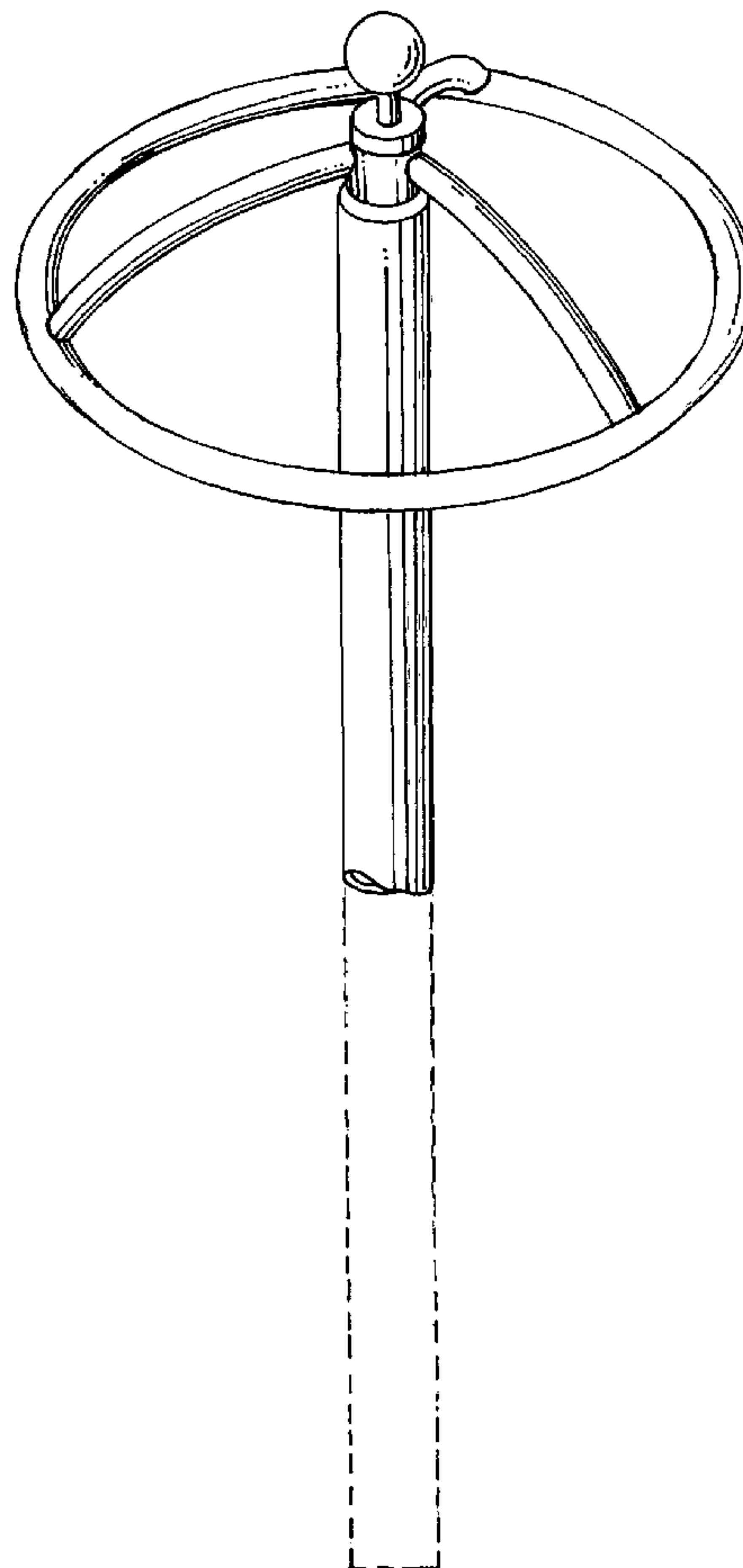
U.S. PATENT DOCUMENTS

1,916,809 A * 7/1933 Patterson 472/14
D293,459 S * 12/1987 McCombs D21/830
D316,889 S * 5/1991 Smith D21/830
D381,057 S * 7/1997 Strawcutter et al. D21/814

The broken line showing is included for the purpose of illustrating and forms no part of the claimed design.

* cited by examiner

1 Claim, 3 Drawing Sheets



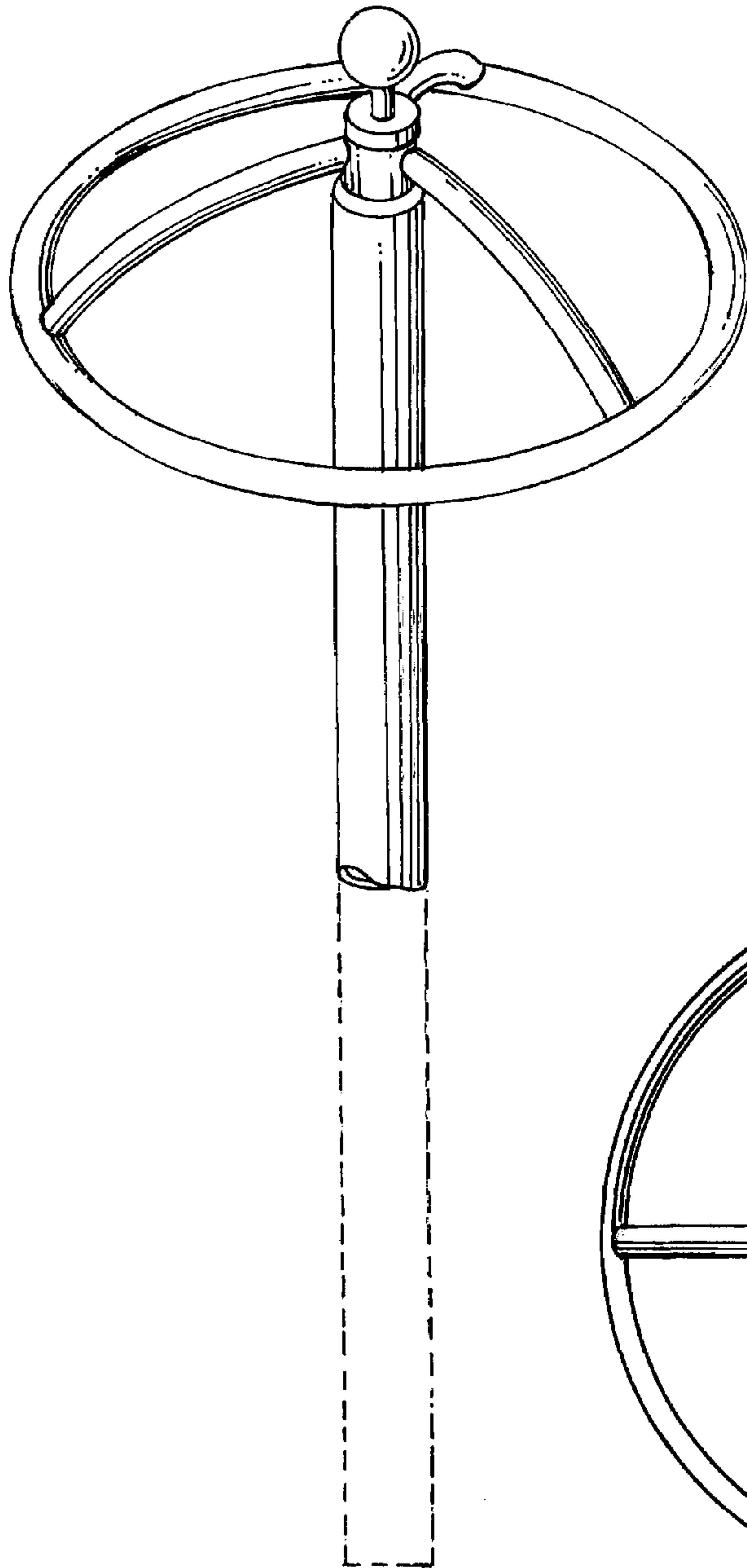


FIG. 1

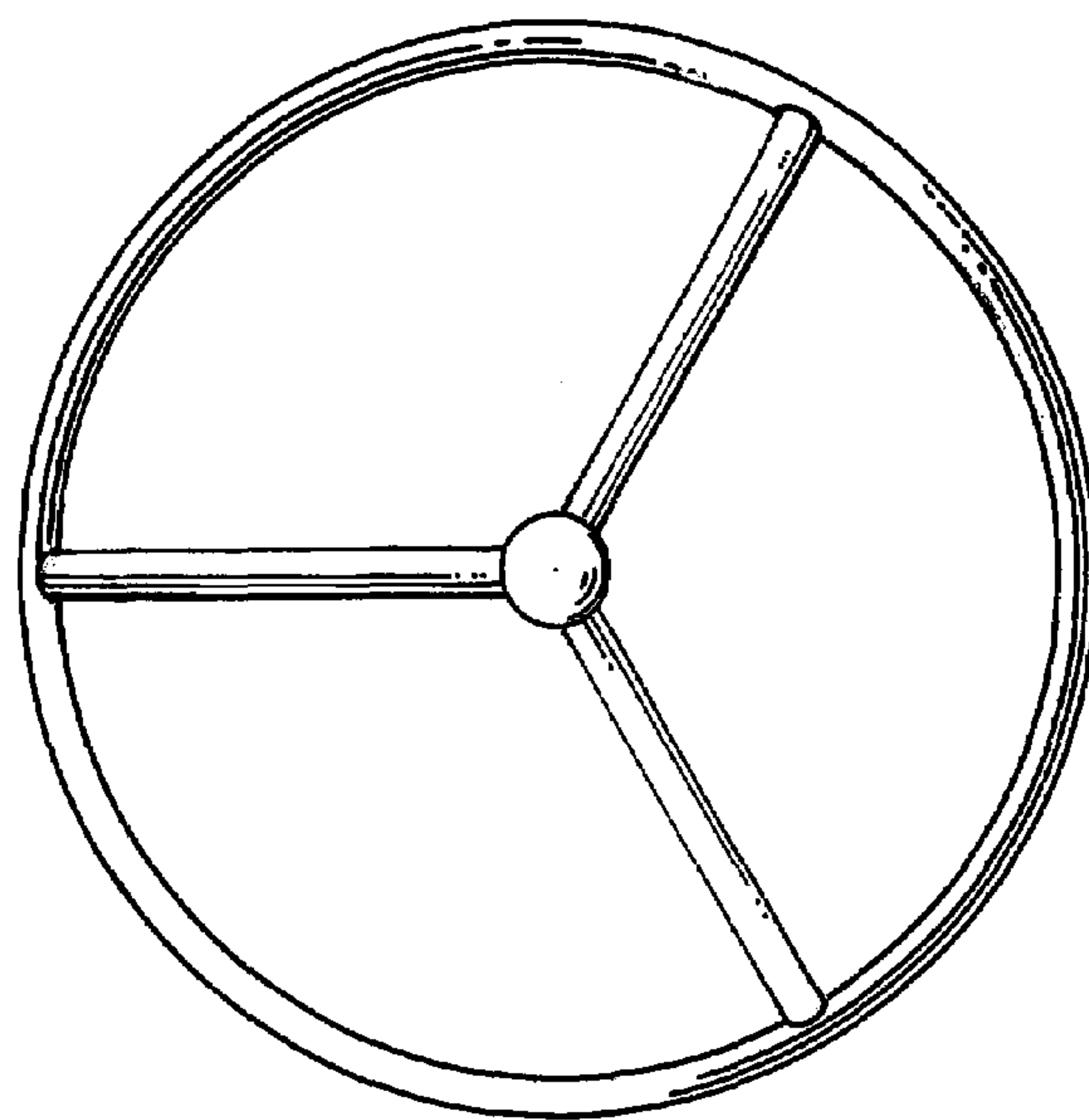


FIG. 2

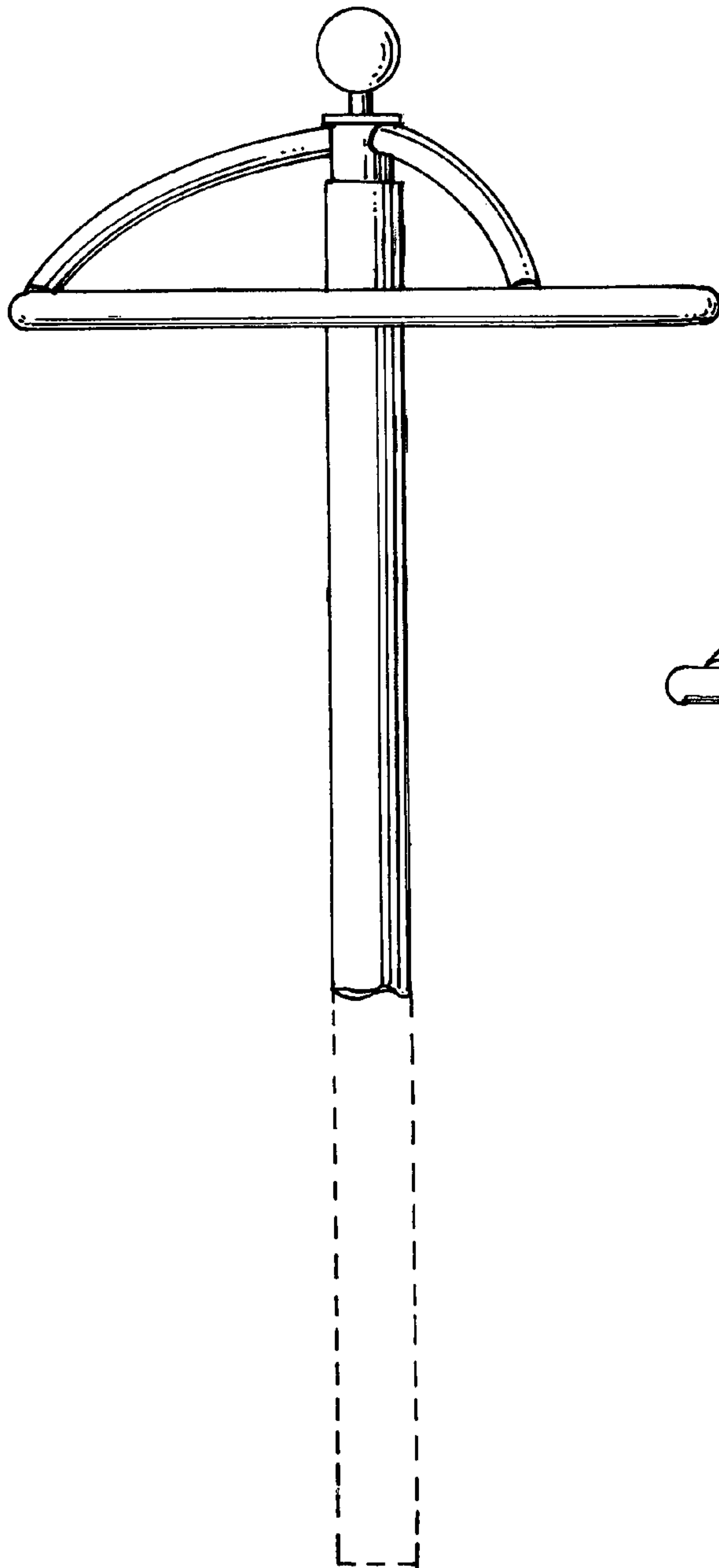


FIG. 3

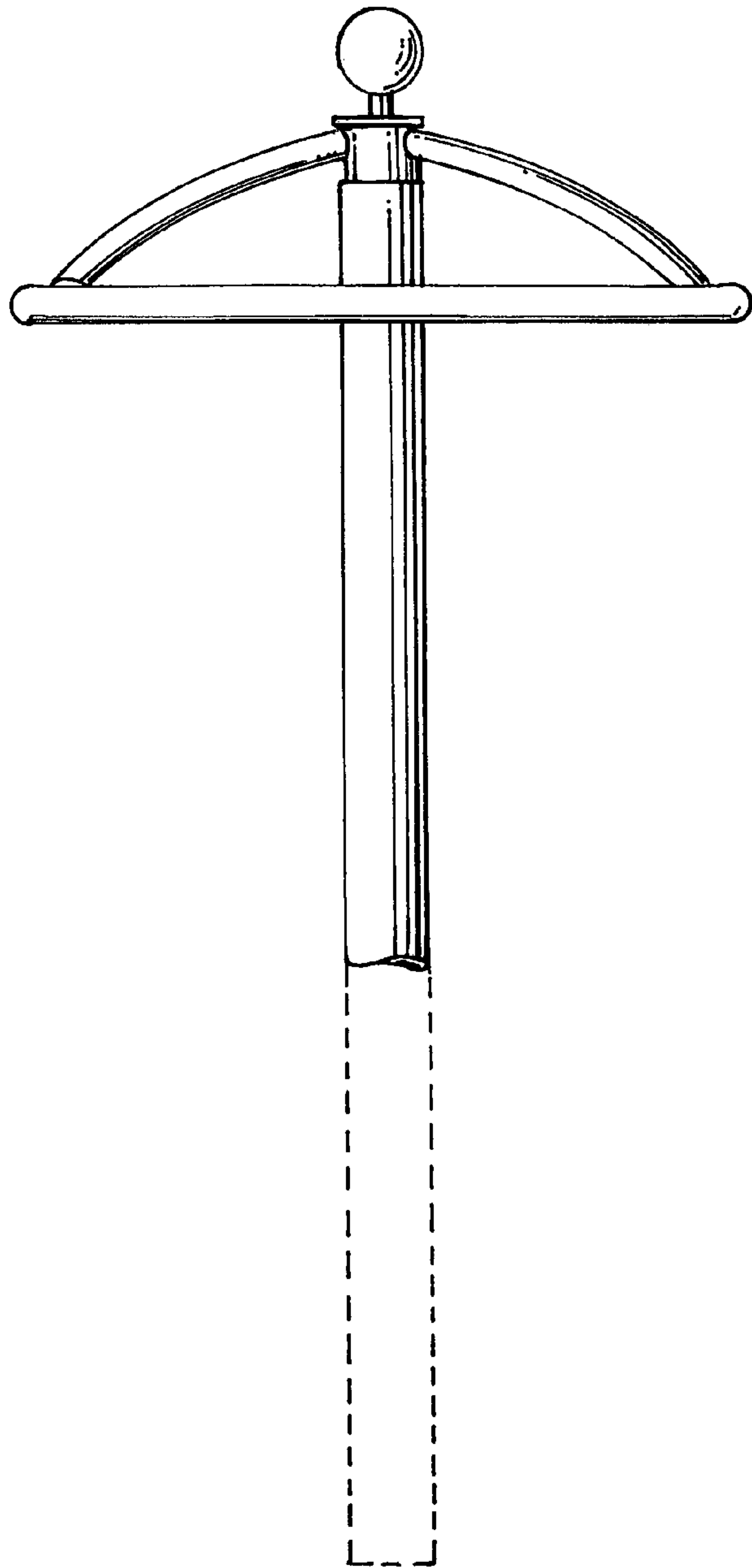


FIG. 4

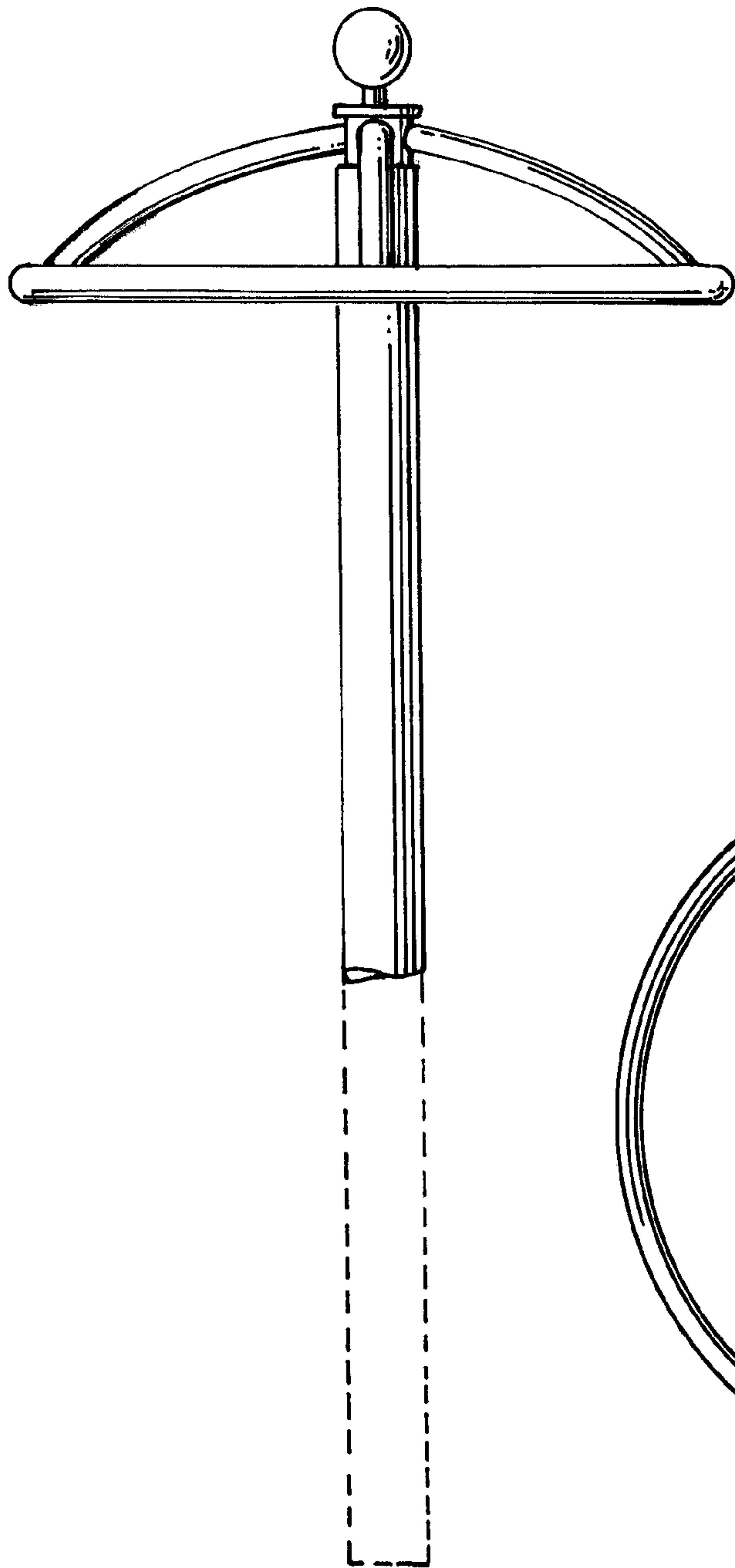


FIG. 5

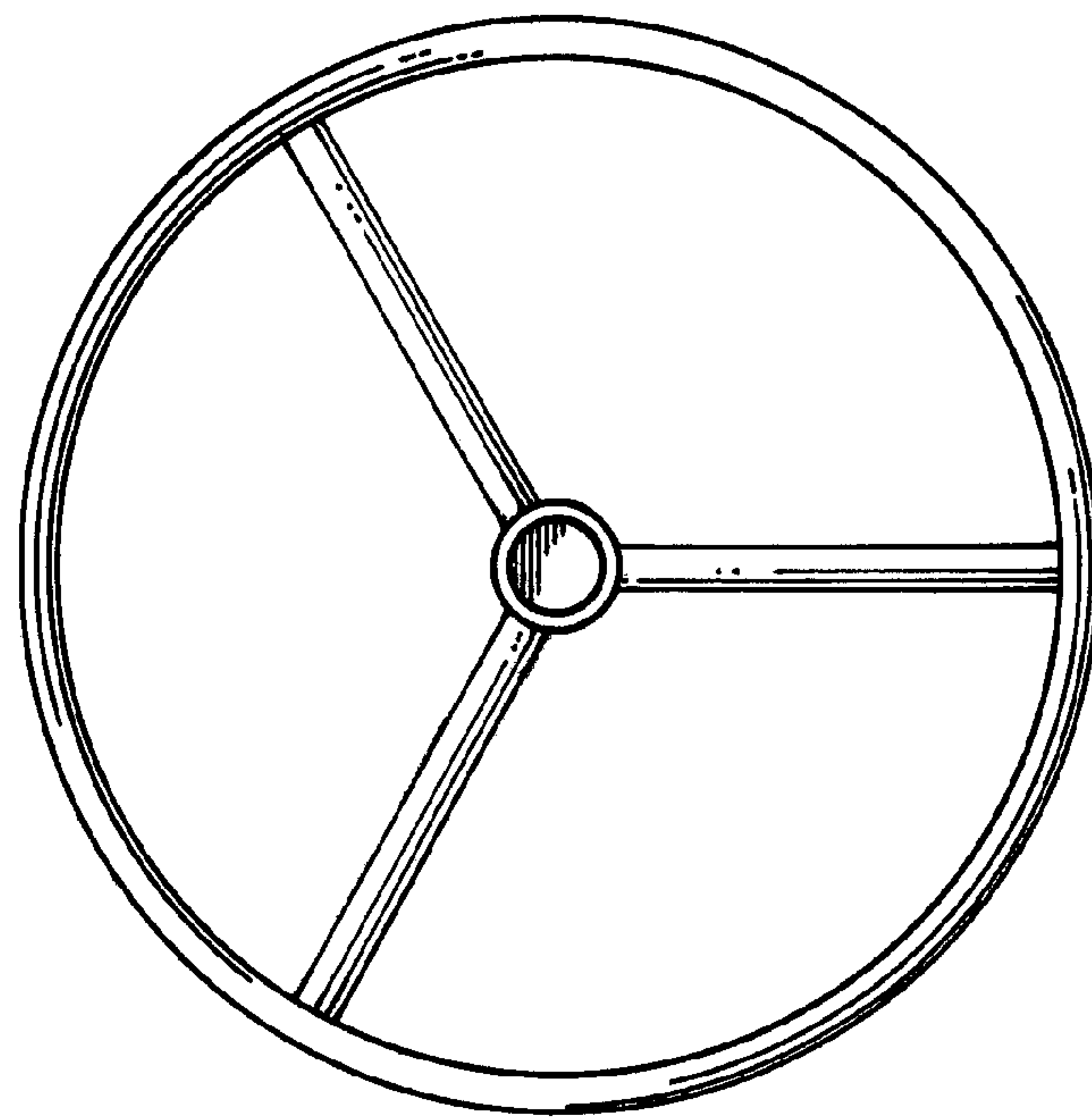


FIG. 6