



US00D559933S

(12) **United States Design Patent**
Roach et al.

(10) **Patent No.:** **US D559,933 S**
(45) **Date of Patent:** **** Jan. 15, 2008**

(54) **IRON GOLF CLUB HEAD CAVITY**

D548,297 S * 8/2007 Best et al. D21/748

(75) Inventors: **Ryan L. Roach**, Carlsbad, CA (US);
Thomas C. Morris, Carlsbad, CA
(US); **Scott A. Rice**, San Diego, CA
(US)

* cited by examiner

Primary Examiner—Mitchell Siegel
(74) *Attorney, Agent, or Firm*—Kristin D. Wheeler

(73) Assignee: **Acushnet Company**, Fairhaven, MA
(US)

(57) **CLAIM**

The ornamental design for an iron golf club head cavity, as shown and described.

(**) Term: **14 Years**

DESCRIPTION

(21) Appl. No.: **29/250,859**

FIG. 1 is a back side perspective view of our new iron golf club head cavity;

(22) Filed: **Dec. 4, 2006**

FIG. 2 is a back side view thereof;

(51) **LOC (8) Cl.** **21-02**

FIG. 3 is a cross-sectional view thereof through line 3—3 of FIG. 2;

(52) **U.S. Cl.** **D21/759**

(58) **Field of Classification Search** D21/747–751,
D21/759; 473/324–331, 350
See application file for complete search history.

FIG. 4 is a heel side view thereof;

FIG. 5 is a bottom view thereof;

FIG. 6 is a back side perspective view of another embodiment of our new iron golf club head cavity;

FIG. 7 is a back side view thereof; and,

FIG. 8 is a cross-sectional view thereof through line 8—8 of FIG. 7.

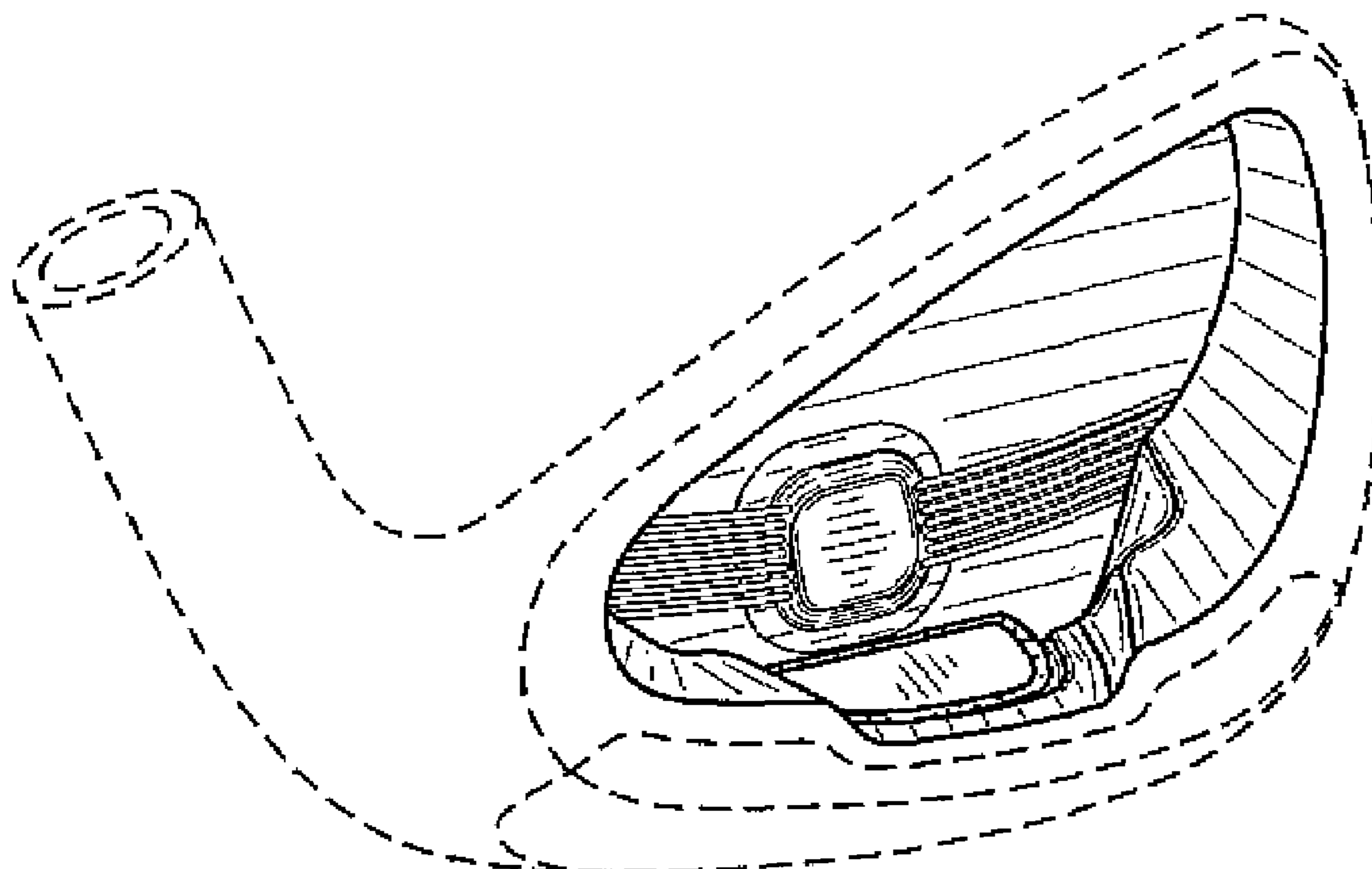
The portion of the club head shown in phantom does not form any portion of the present invention.

(56) **References Cited**

U.S. PATENT DOCUMENTS

D355,234 S *	2/1995	MacNally et al.	D21/749
5,586,947 A *	12/1996	Hutin	473/324
D445,157 S *	7/2001	Jones et al.	D21/749
D476,708 S *	7/2003	Wahl et al.	D21/747
D508,722 S *	8/2005	Iwata et al.	D21/759
D547,407 S *	7/2007	Morris et al.	D21/759
D547,409 S *	7/2007	Best et al.	D21/759

1 Claim, 3 Drawing Sheets



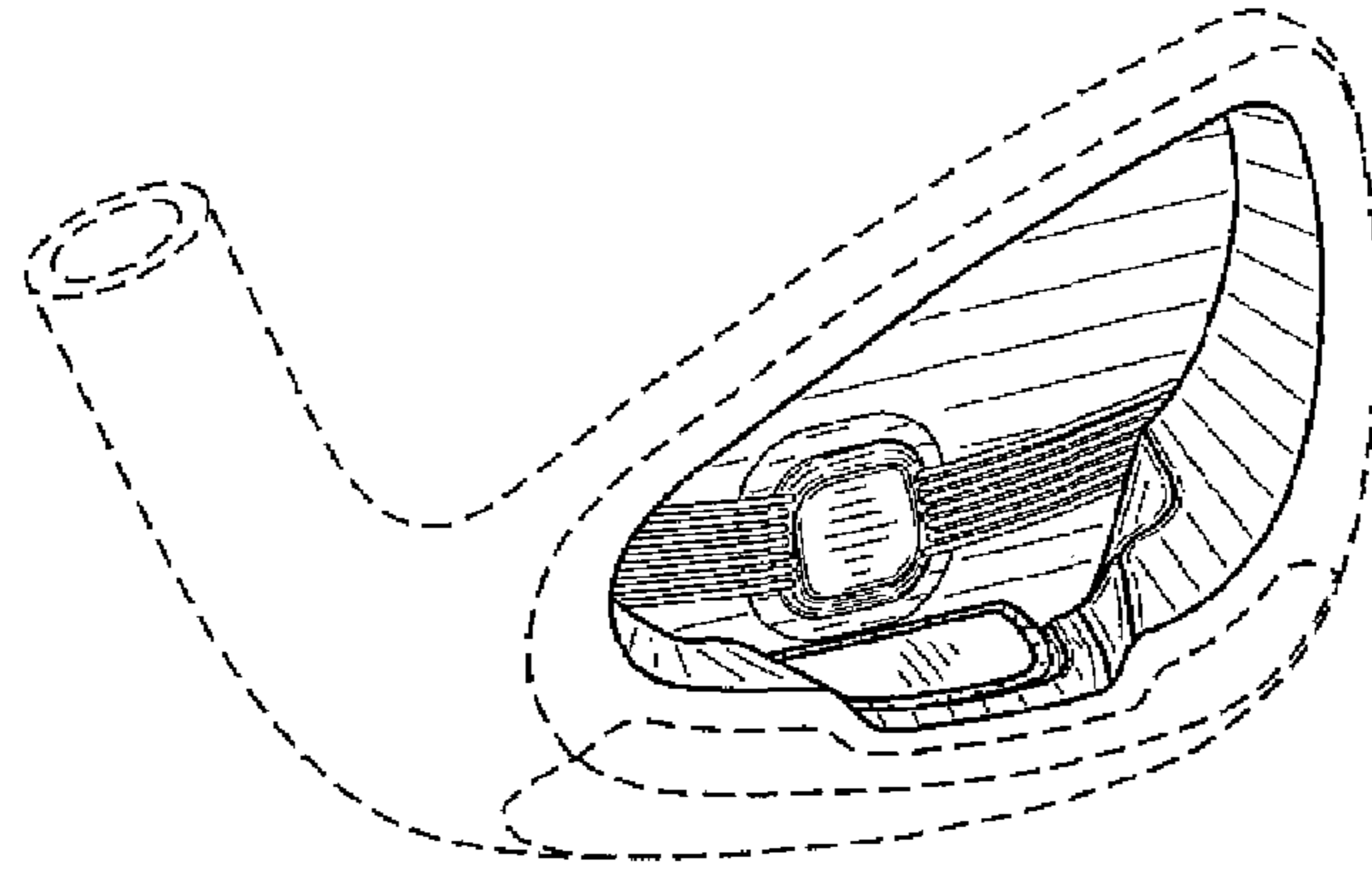


FIG. 1

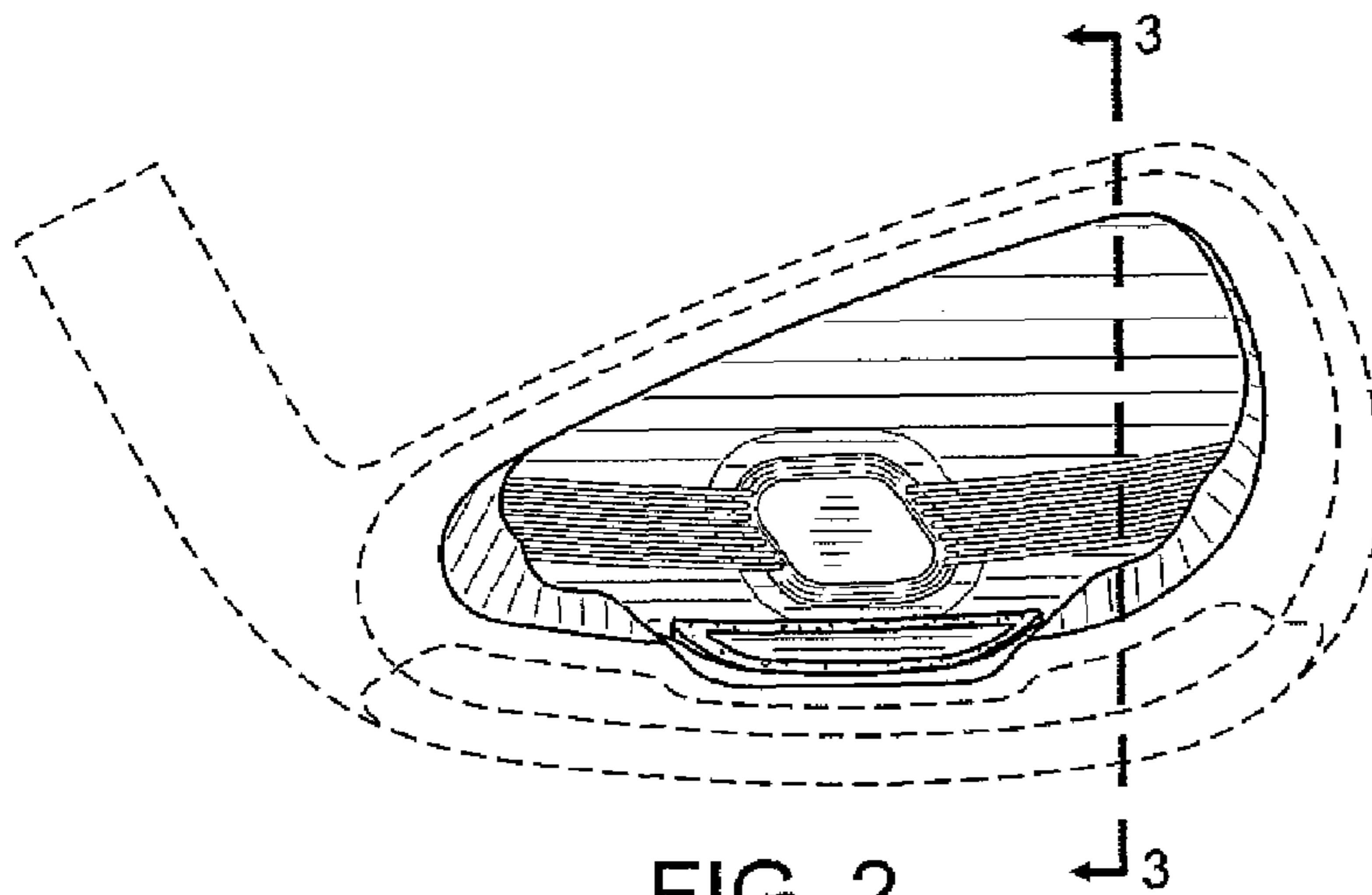


FIG. 2

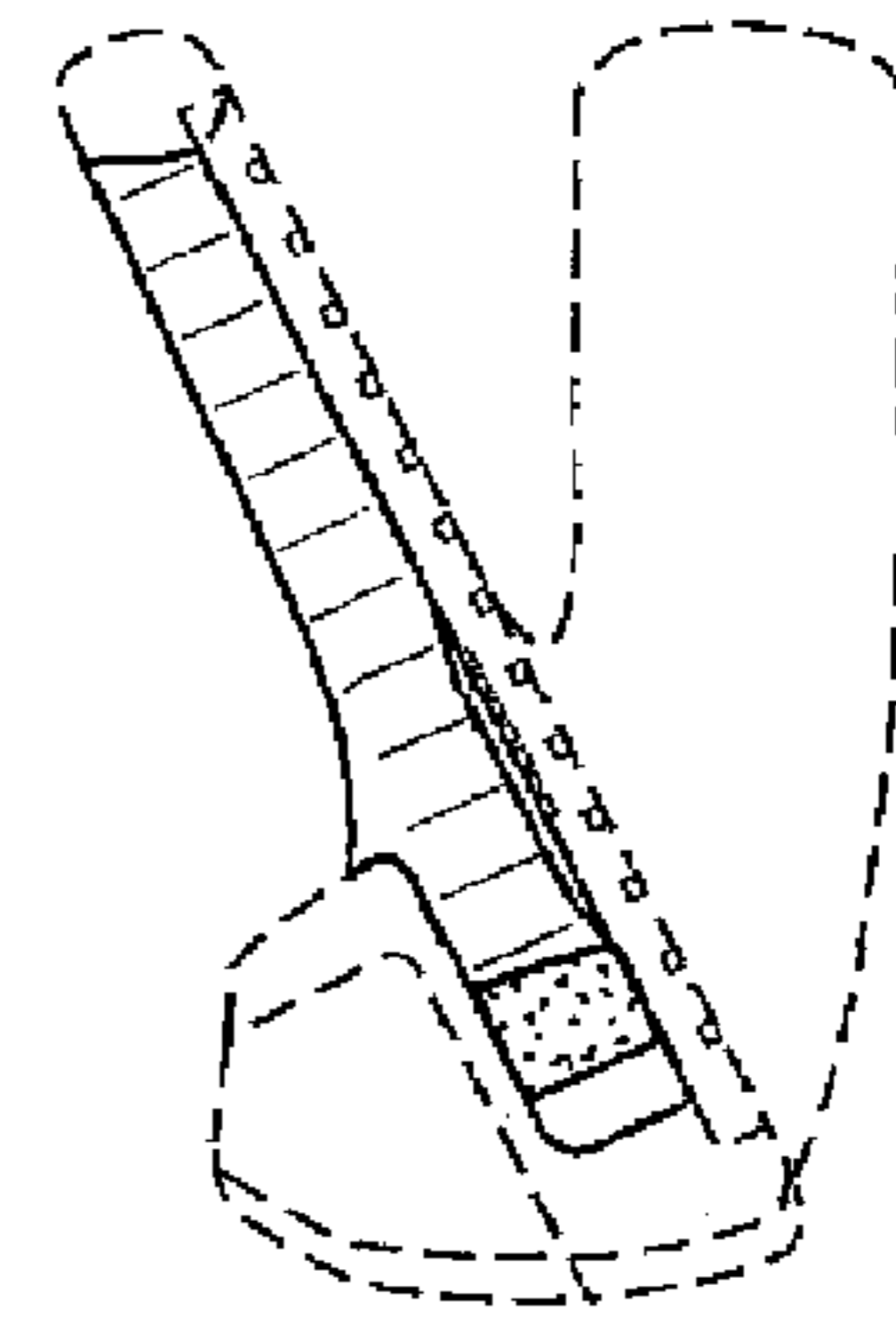


FIG. 3

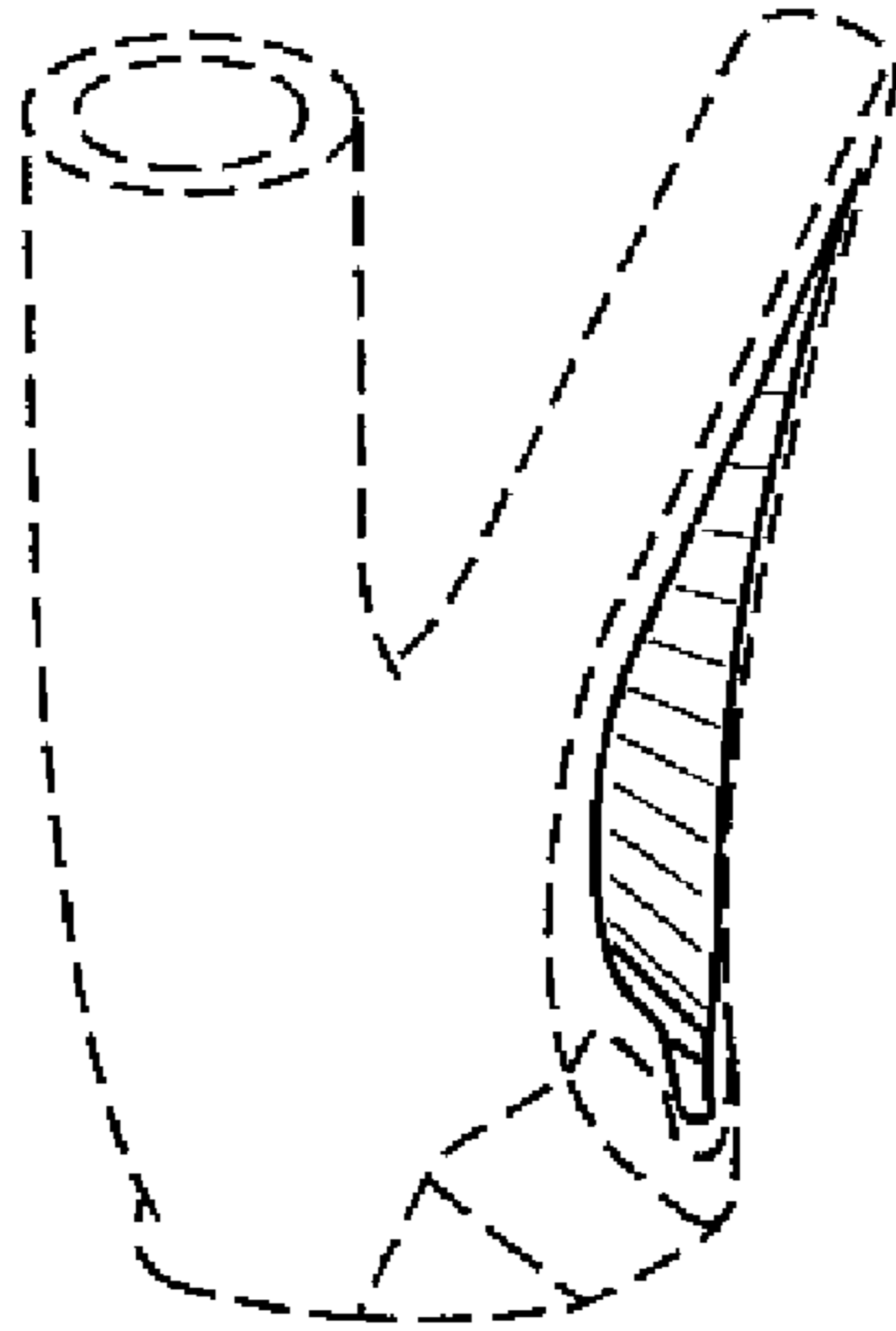


FIG. 4



FIG. 5

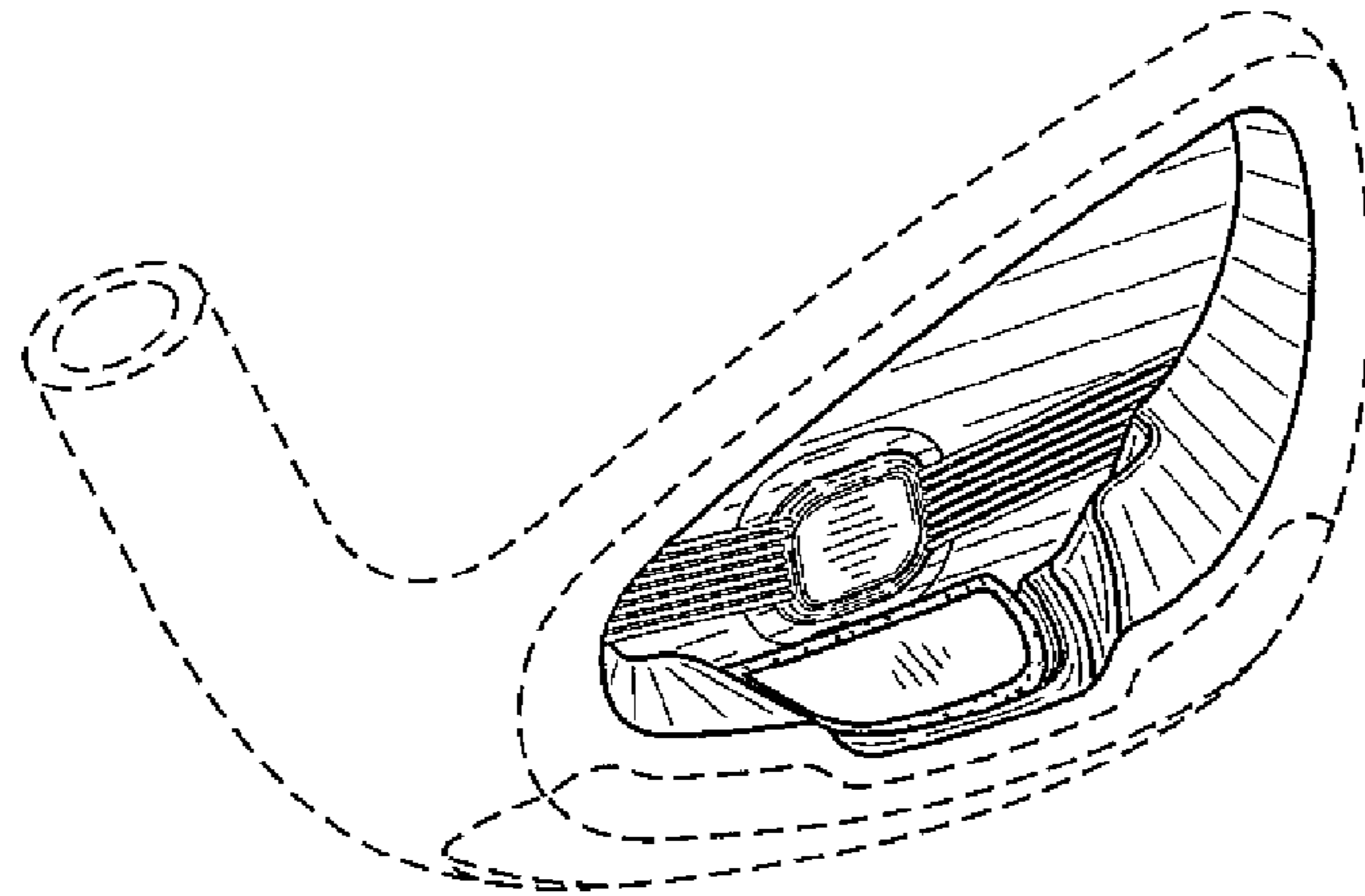


FIG. 6

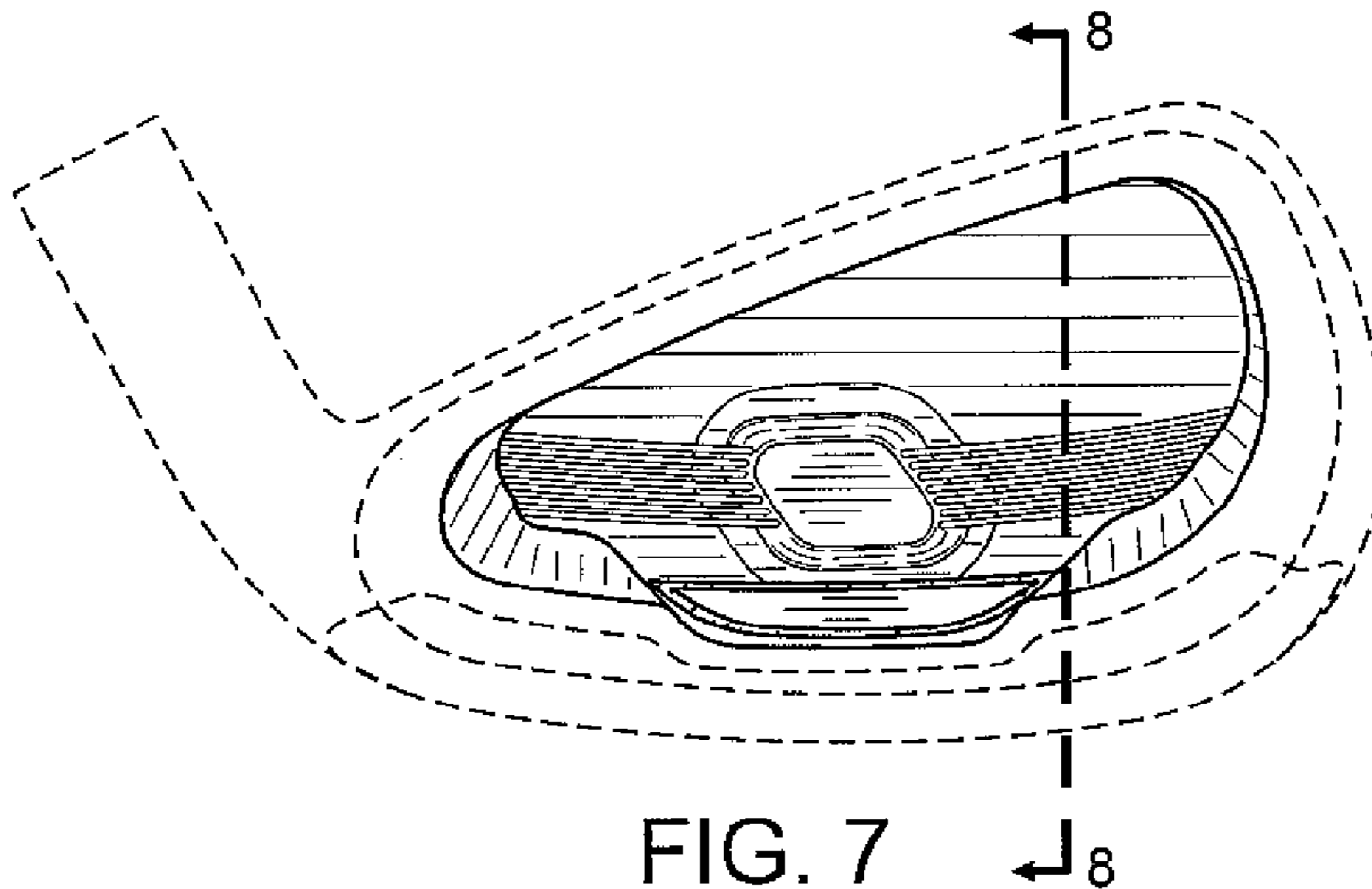


FIG. 7

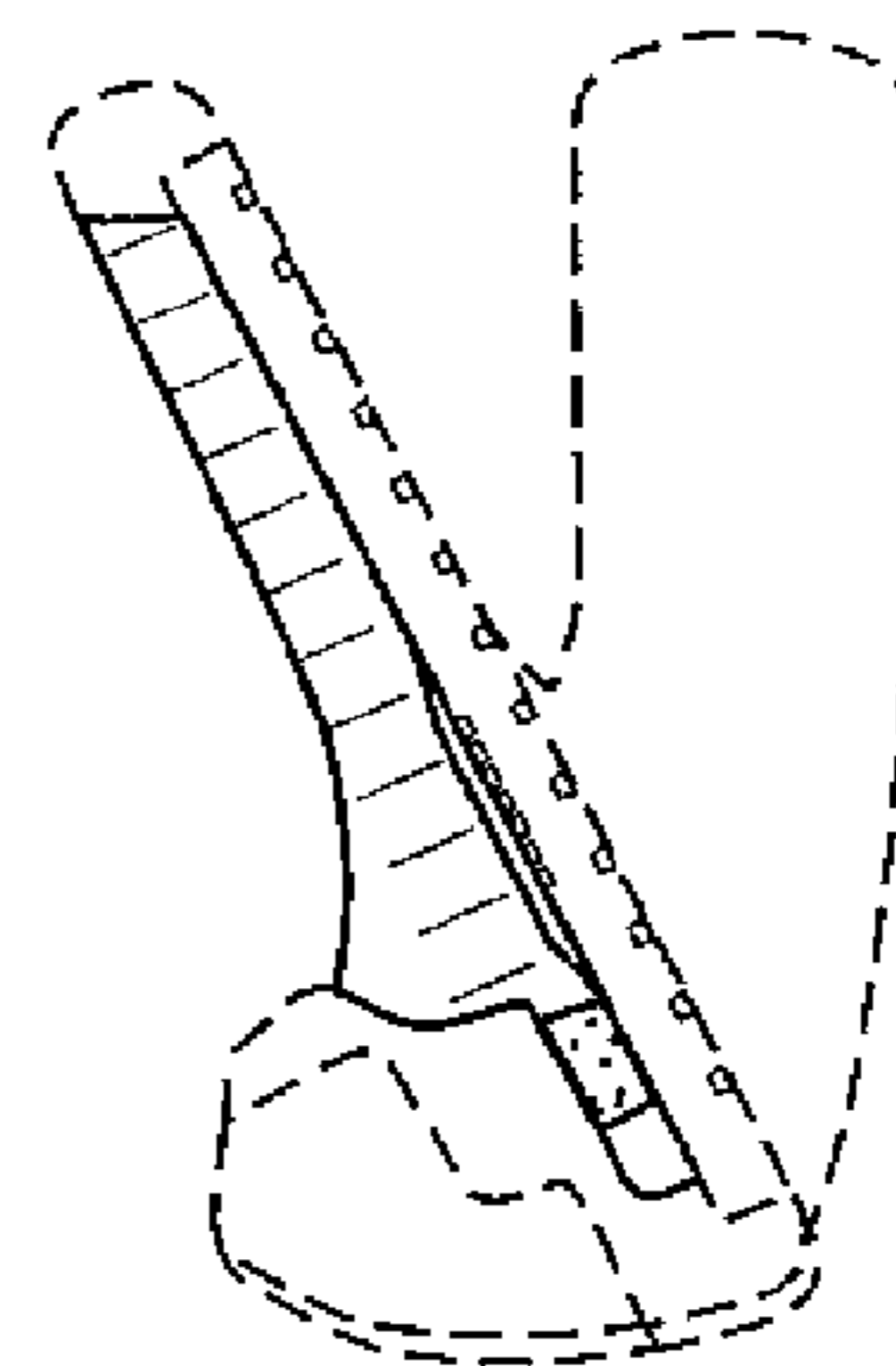


FIG. 8