



US00D559930S

(12) **United States Design Patent**
Cameron

(10) **Patent No.:** **US D559,930 S**

(45) **Date of Patent:** **** Jan. 15, 2008**

(54) **PUTTER HEAD**

D528,177 S * 9/2006 Grace D21/743
D528,616 S * 9/2006 Grace D21/743
D548,296 S * 8/2007 Rollinson D21/744

(75) Inventor: **Don T. Cameron**, Carlsbad, CA (US)

* cited by examiner

(73) Assignee: **Acushnet Company**, Fairhaven, MA (US)

Primary Examiner—Mitchell Siegel

(**) Term: **14 Years**

(74) *Attorney, Agent, or Firm*—Kristin D. Wheeler

(21) Appl. No.: **29/269,886**

(57) **CLAIM**

(22) Filed: **Dec. 11, 2006**

The ornamental design for a putter head, as shown and described.

(51) **LOC (8) Cl.** **21-02**

(52) **U.S. Cl.** **D21/746**

(58) **Field of Classification Search** D21/736–746;
473/324–331, 340–341, 251–256

See application file for complete search history.

DESCRIPTION

(56) **References Cited**

U.S. PATENT DOCUMENTS

D315,386 S * 3/1991 Alonso D21/741
D379,392 S * 5/1997 Fehrer D21/743
D402,344 S 12/1998 Cleveland et al.
D410,054 S 5/1999 Yu
D412,194 S 7/1999 Drossos
D447,198 S 8/2001 Shaw
D455,467 S * 4/2002 Shenoha D21/736
D476,047 S * 6/2003 De La Cruz D21/743
D482,088 S * 11/2003 DeLaCruz D21/743

FIG. 1 is a top back perspective view of my new design for a putter head;

FIG. 2 is a front view thereof;

FIG. 3 is a toe side view thereof;

FIG. 4 is a heel side view thereof;

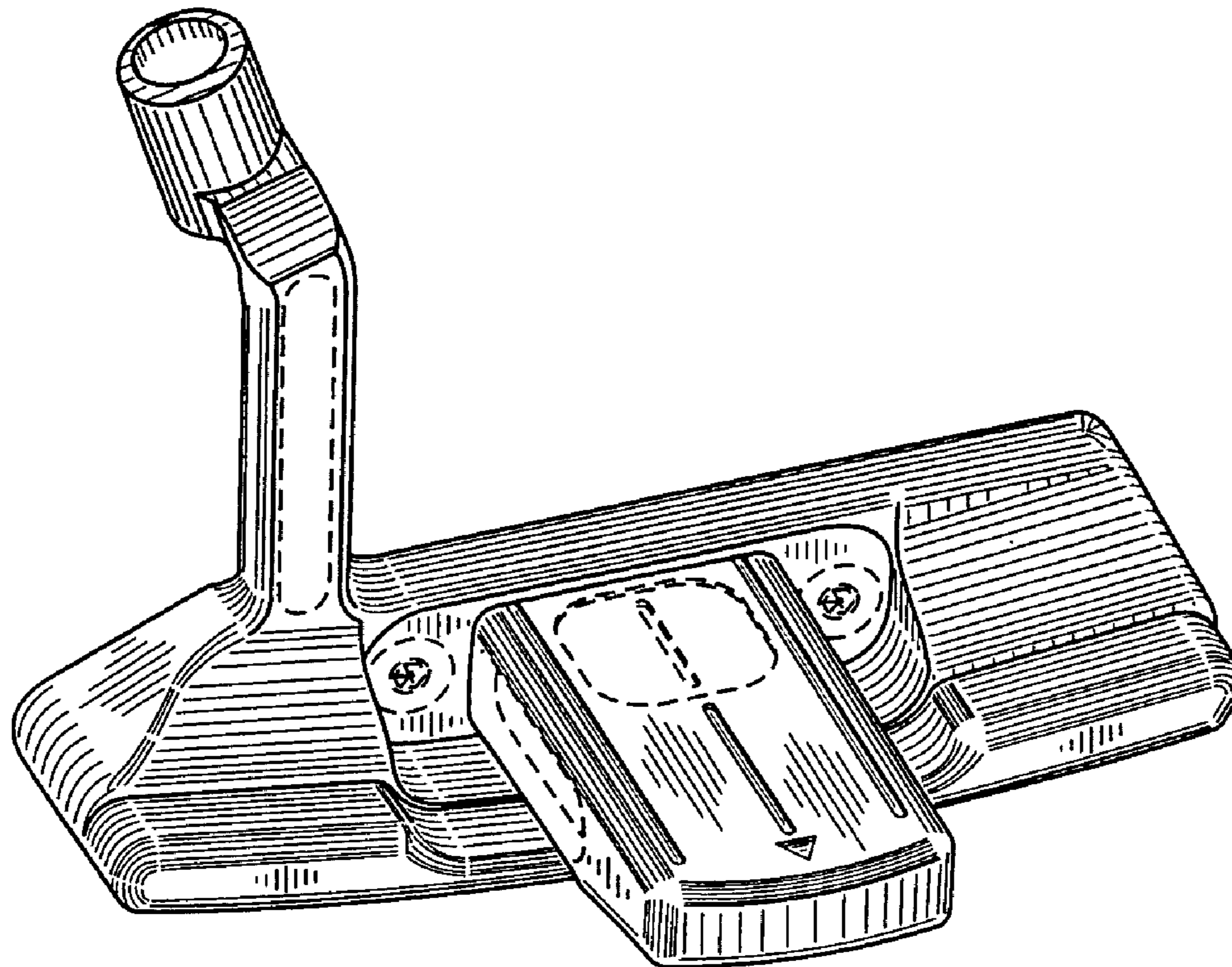
FIG. 5 is a bottom view thereof;

FIG. 6 is a top view thereof; and,

FIG. 7 is a back view thereof.

The portion of the putter head shown in phantom is for illustration purposes only and does not form any portion of the claimed design.

1 Claim, 2 Drawing Sheets



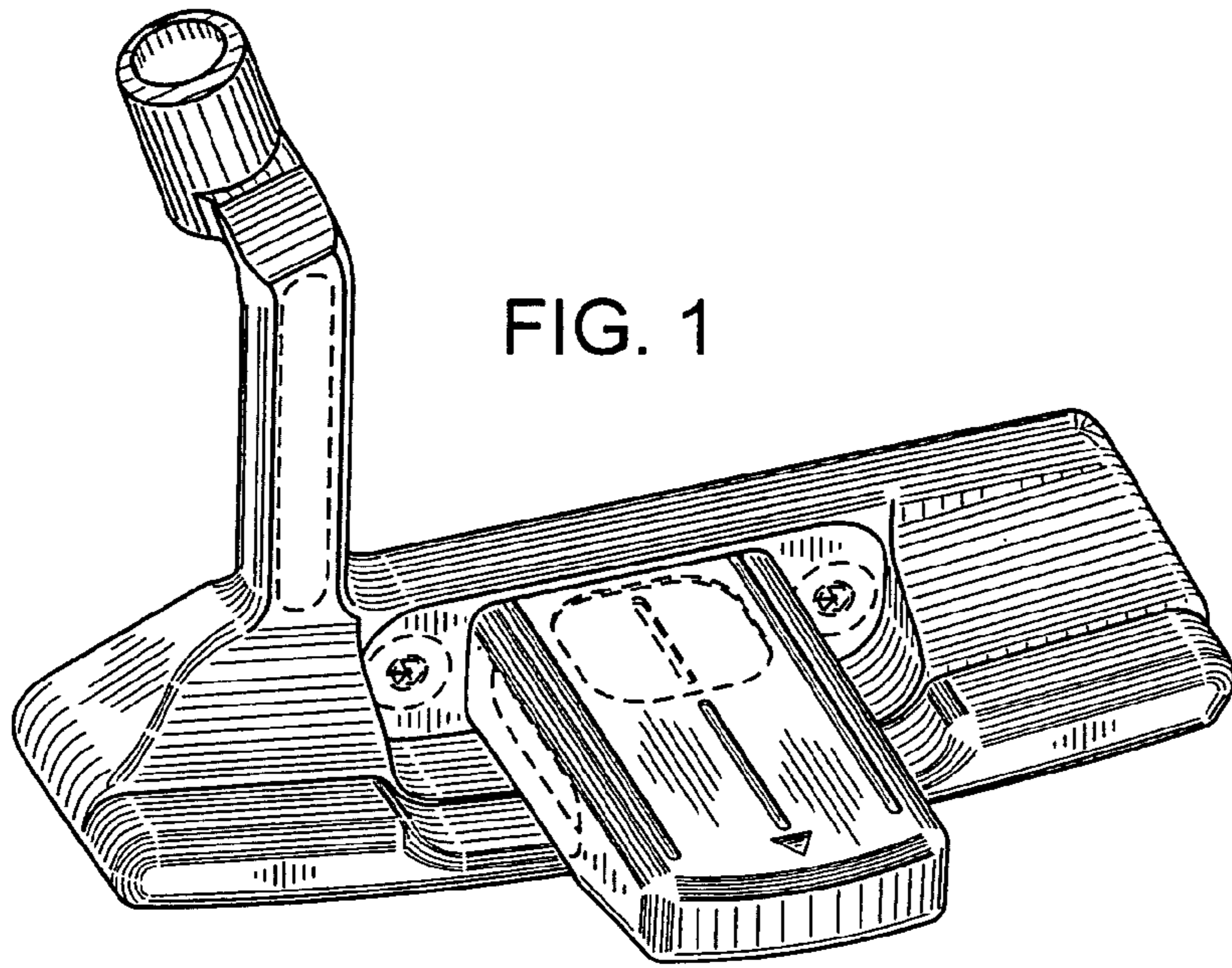


FIG. 1

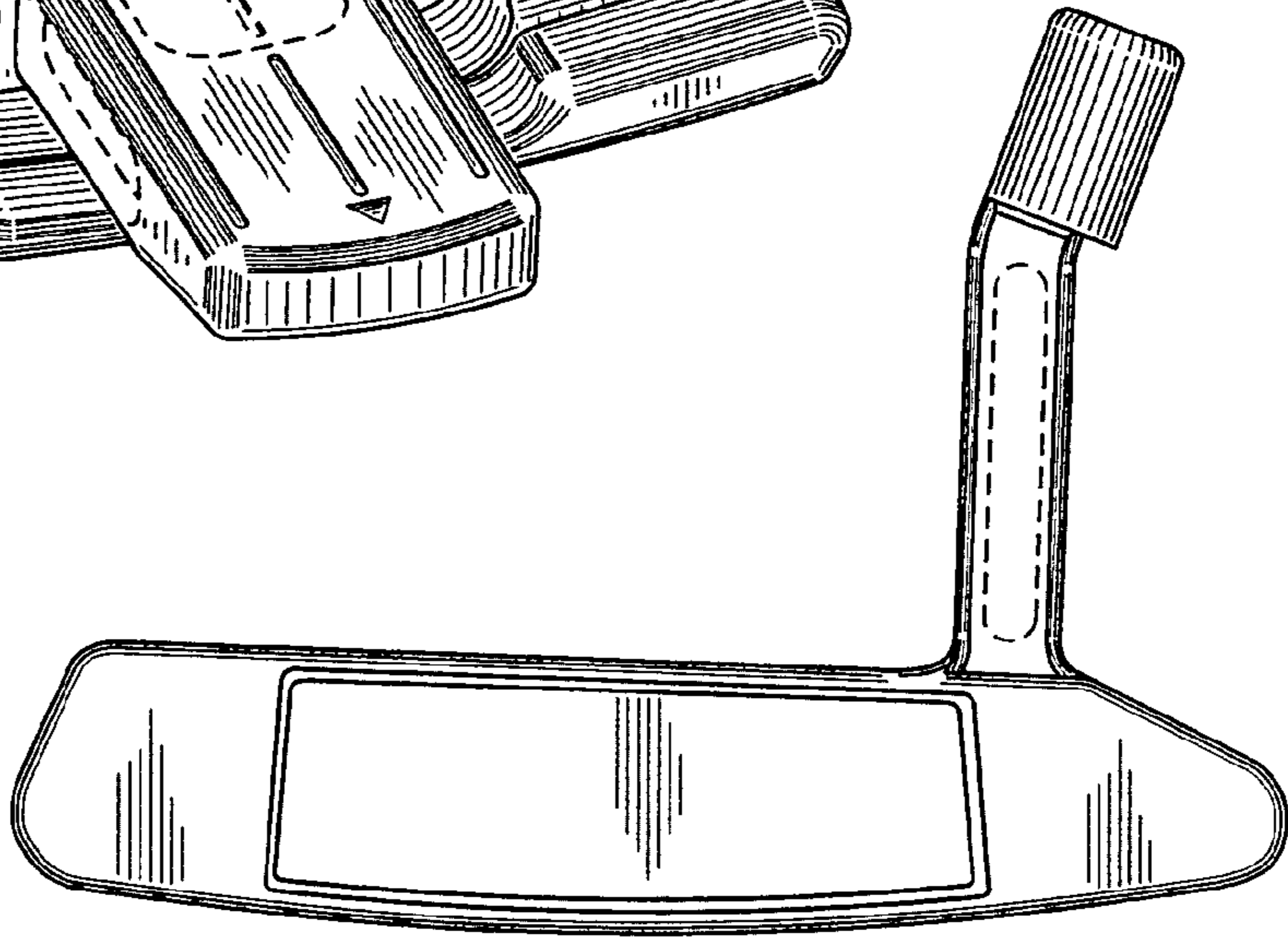


FIG. 2

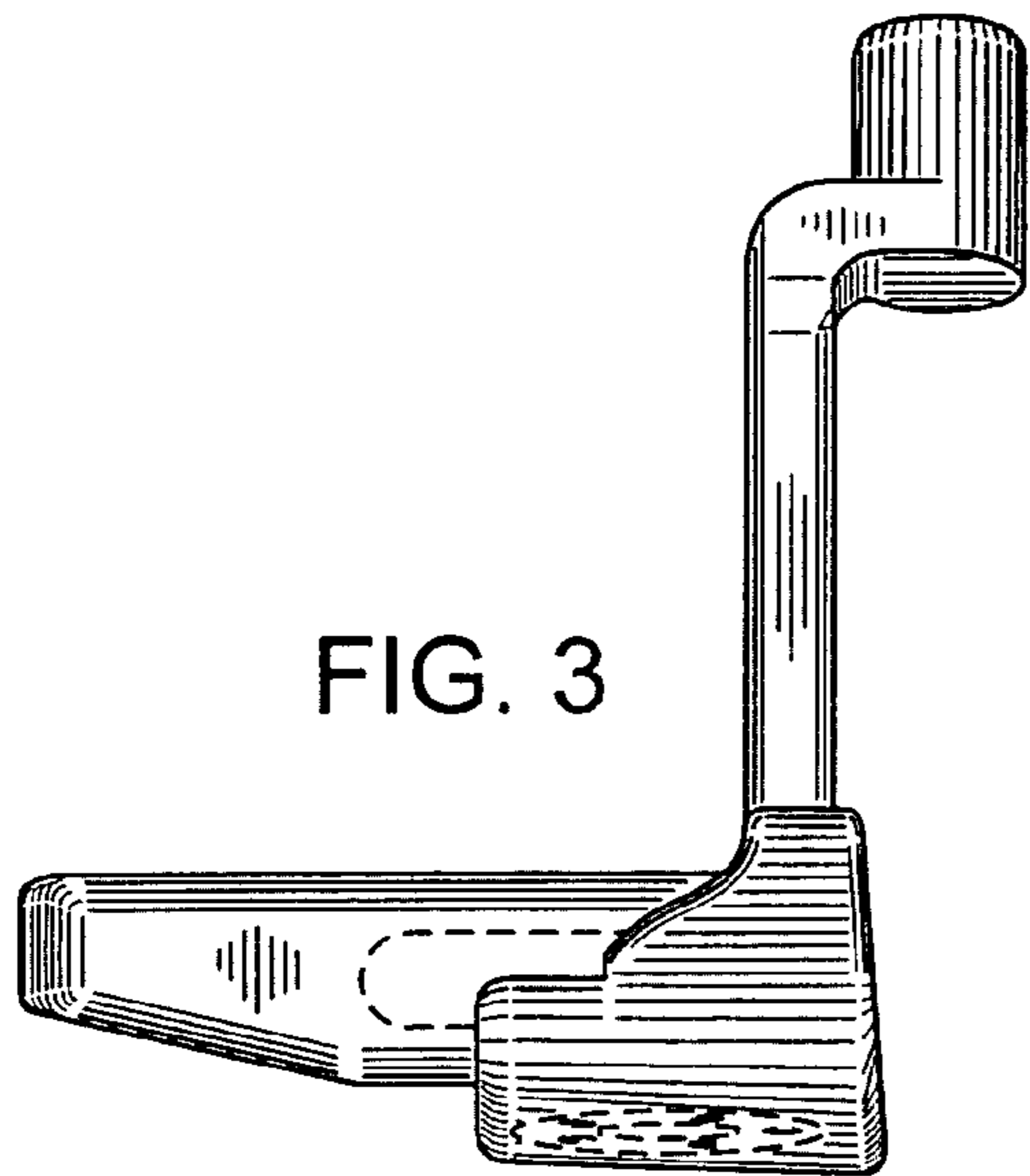


FIG. 3

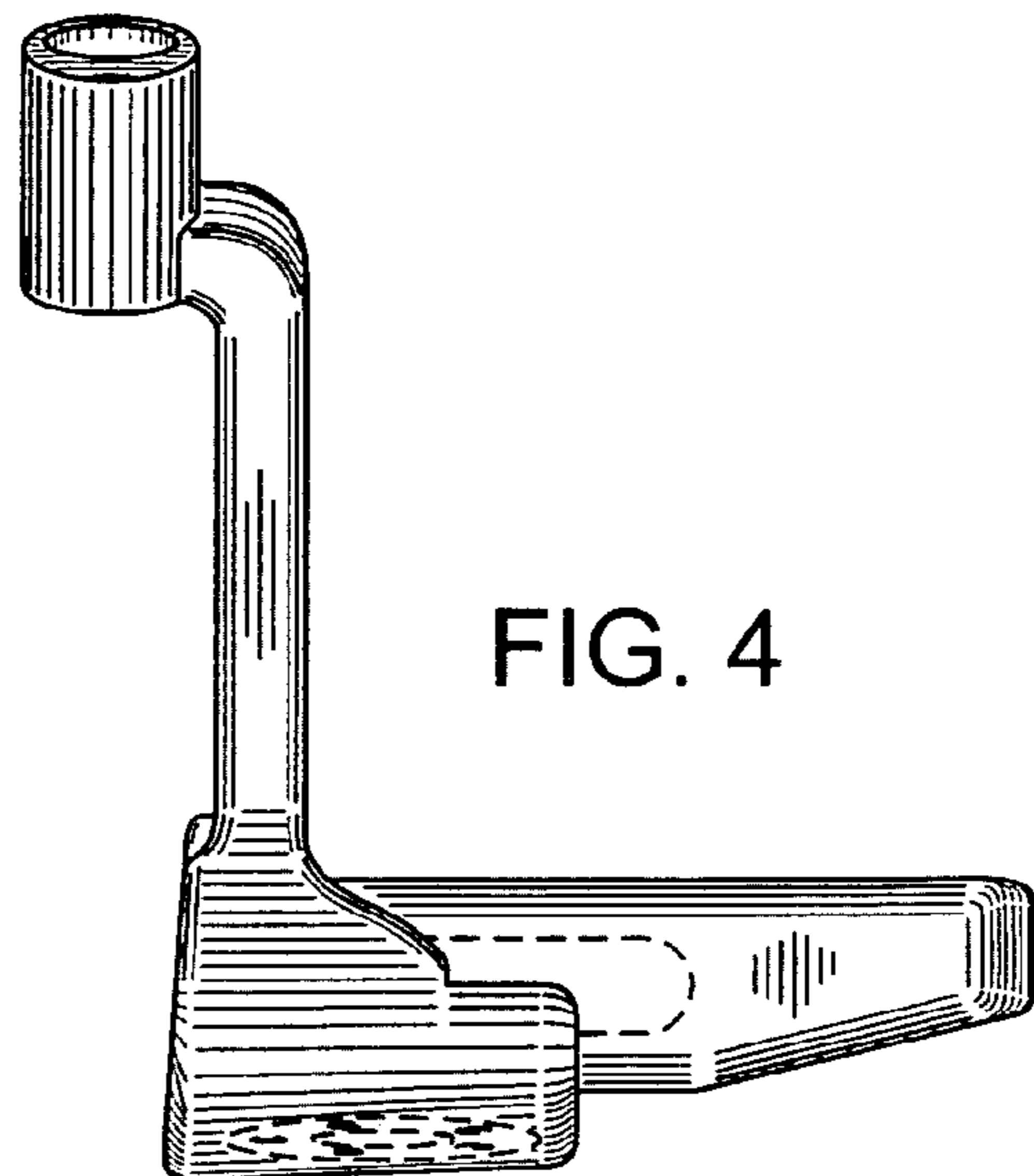


FIG. 4

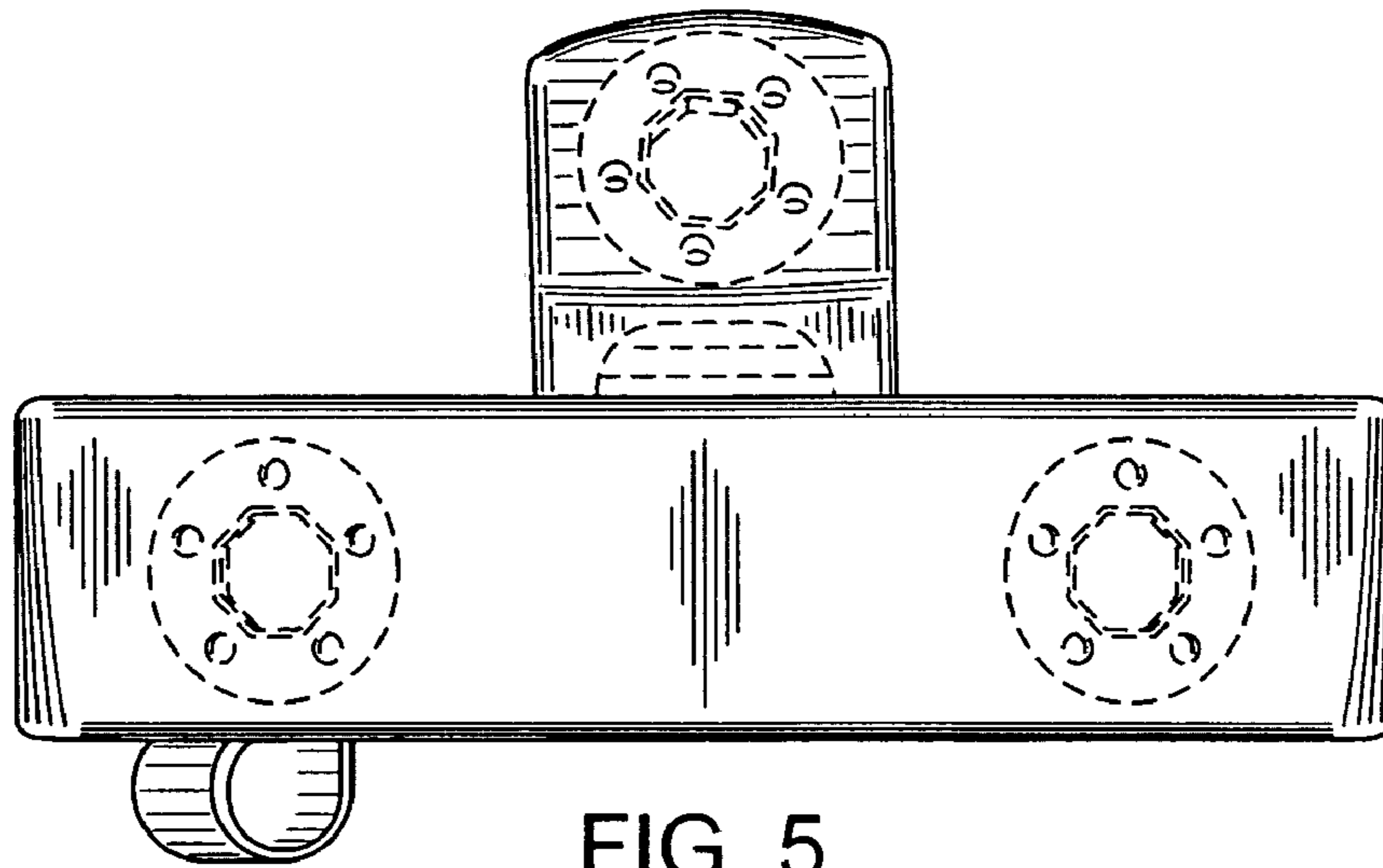


FIG. 5

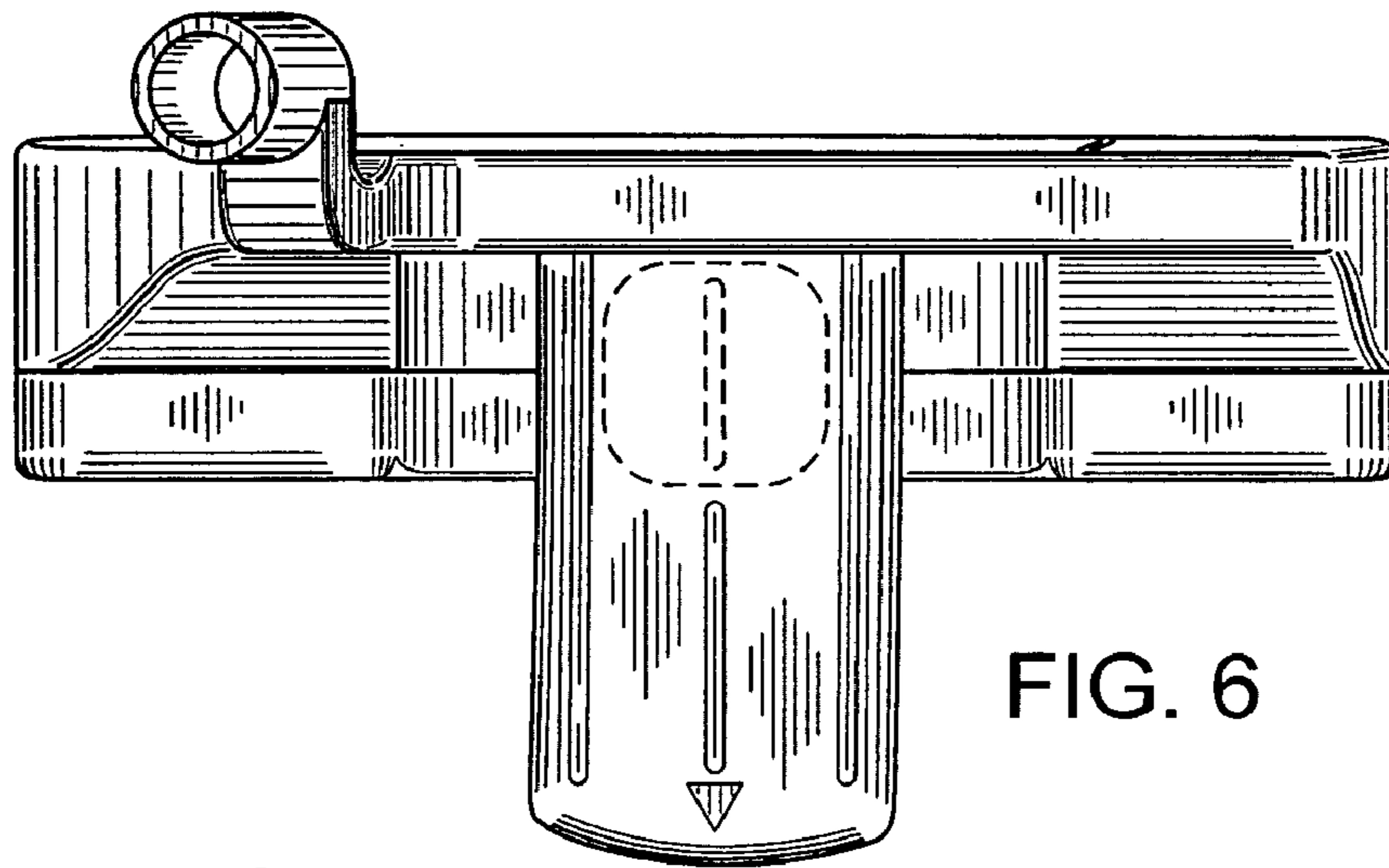


FIG. 6

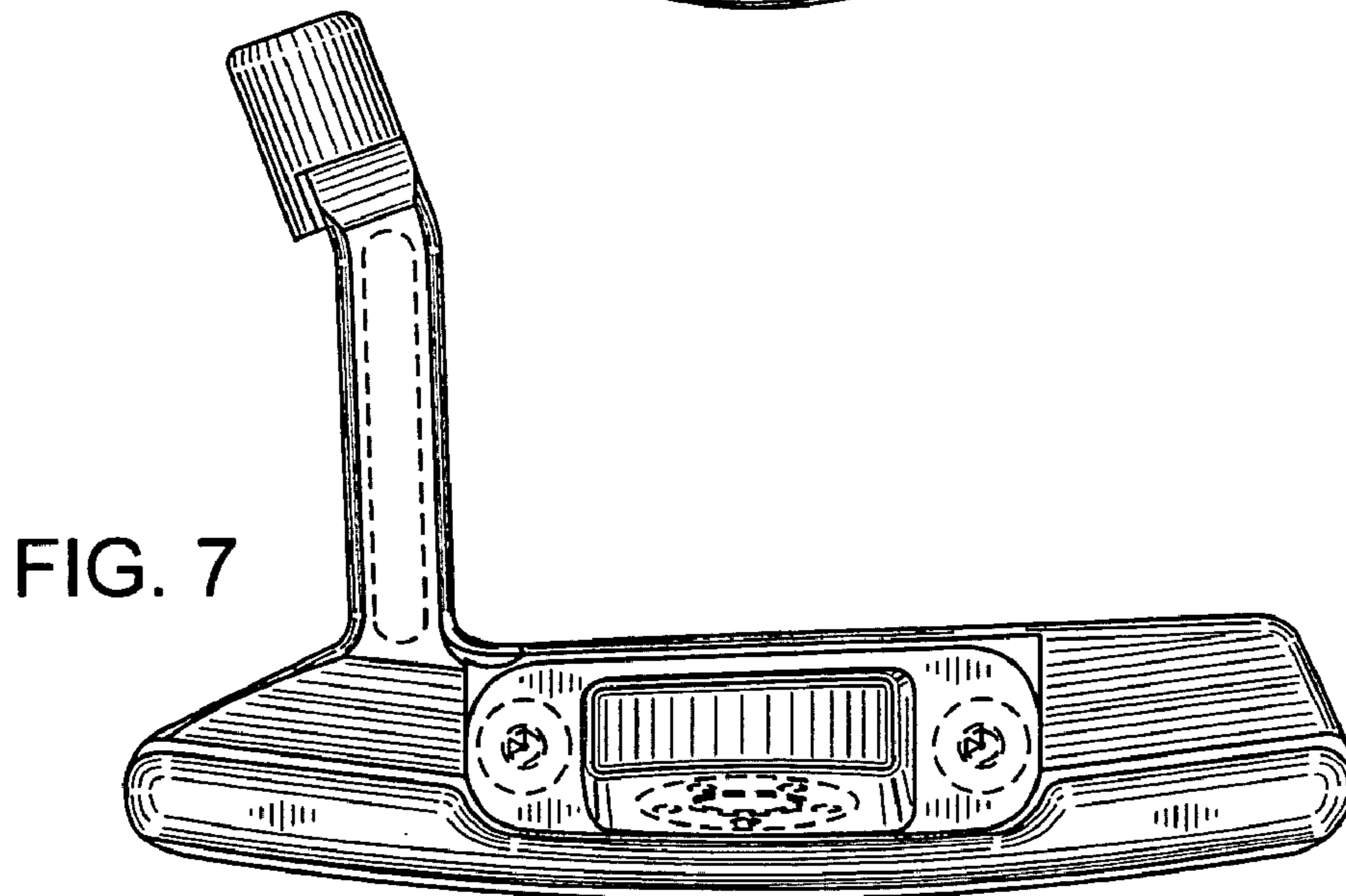


FIG. 7