



US00D559926S

(12) **United States Design Patent**
Wood

(10) **Patent No.:** **US D559,926 S**
(45) **Date of Patent:** **** Jan. 15, 2008**

(54) **REDUCED SPIN GOLF BALL TEE**

(76) Inventor: **Peter C. Wood**, 1256 Melvin Bennett Rd., Mt. Pleasant, SC (US) 29464

(**) Term: **14 Years**

(21) Appl. No.: **29/285,684**

(22) Filed: **Apr. 5, 2007**

(51) **LOC (8) Cl.** **21-02**

(52) **U.S. Cl.** **D21/718**

(58) **Field of Classification Search** D21/715-718,
D21/789-796; 473/387-403

See application file for complete search history.

(56) **References Cited**

U.S. PATENT DOCUMENTS

- 1,638,527 A * 8/1927 Clausing 473/402
- 2,455,705 A * 12/1948 Seager 473/402
- 5,683,313 A * 11/1997 Disco et al. 473/387
- D393,301 S * 4/1998 Koskela D21/718
- 6,280,350 B1 * 8/2001 Chung 473/387
- D524,885 S * 7/2006 Solari D21/718
- 2005/0148410 A1 * 7/2005 DeLisle et al. 473/387

FOREIGN PATENT DOCUMENTS

AU 138369 S * 9/1999

- DE 20210735 U1 * 8/2003
- EMDES. 000398912-0001 * 11/2005
- GB 2403911 A * 1/2005
- GB 2408943 A * 6/2005

* cited by examiner

Primary Examiner—Catherine Tuttle

(74) *Attorney, Agent, or Firm*—McNair Law Firm, P.A.

(57) **CLAIM**

The ornamental design for a reduced spin golf ball tee, as shown and described.

DESCRIPTION

FIG. 1 is a top back perspective view of my new design;

FIG. 2 is a top side perspective view of my new design;

FIG. 3 is a front view of my new design;

FIG. 4 is a back view of my new design;

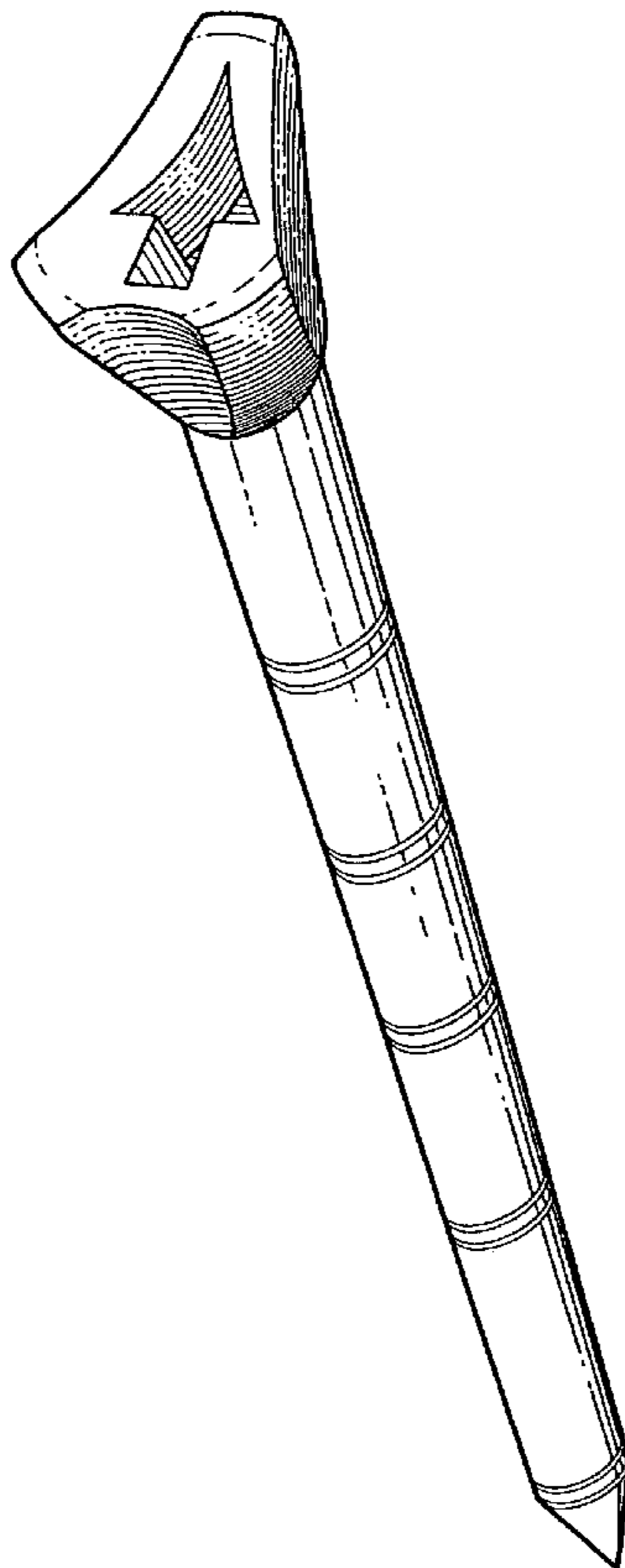
FIG. 5 is a right side view of my new design as seen from the right side of FIG. 6;

FIG. 6 is a left side view of my new design as seen from the left side of FIG. 7;

FIG. 7 is a top view of my new design; and,

FIG. 8 is a bottom view of my new design.

1 Claim, 3 Drawing Sheets



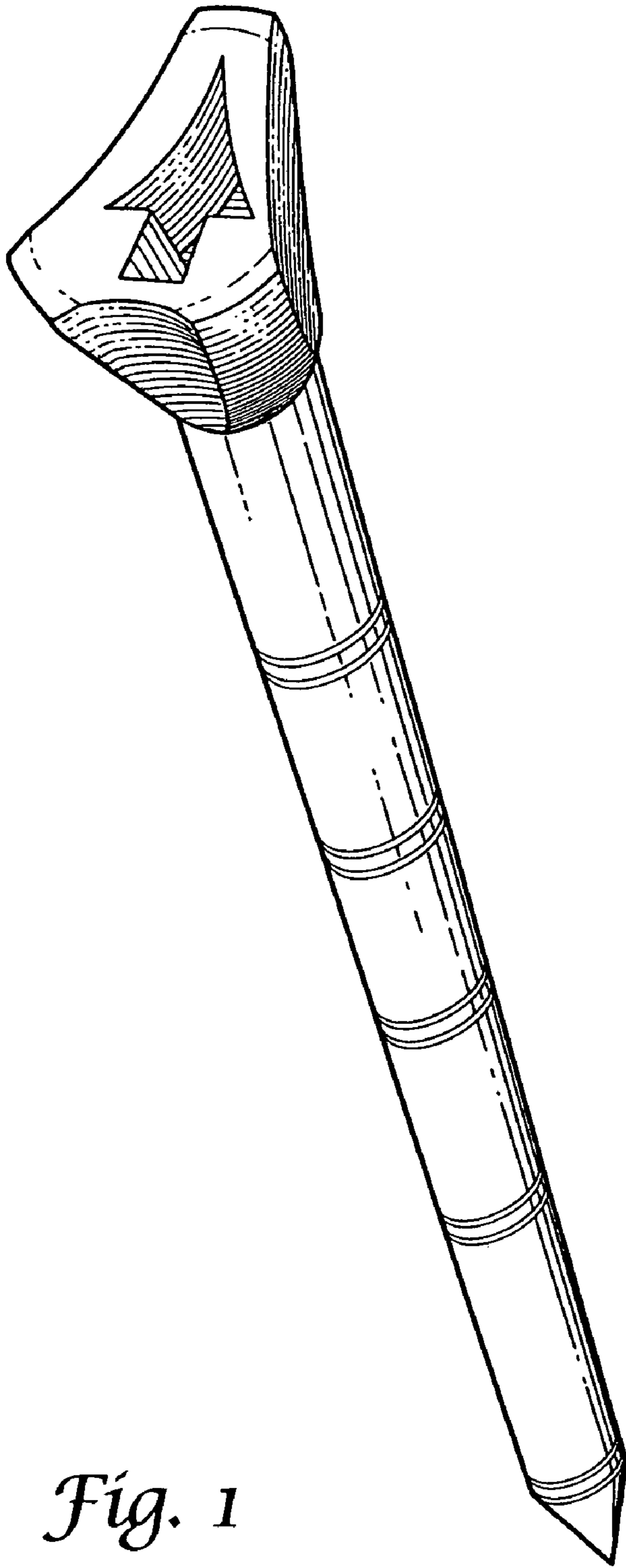


Fig. 1

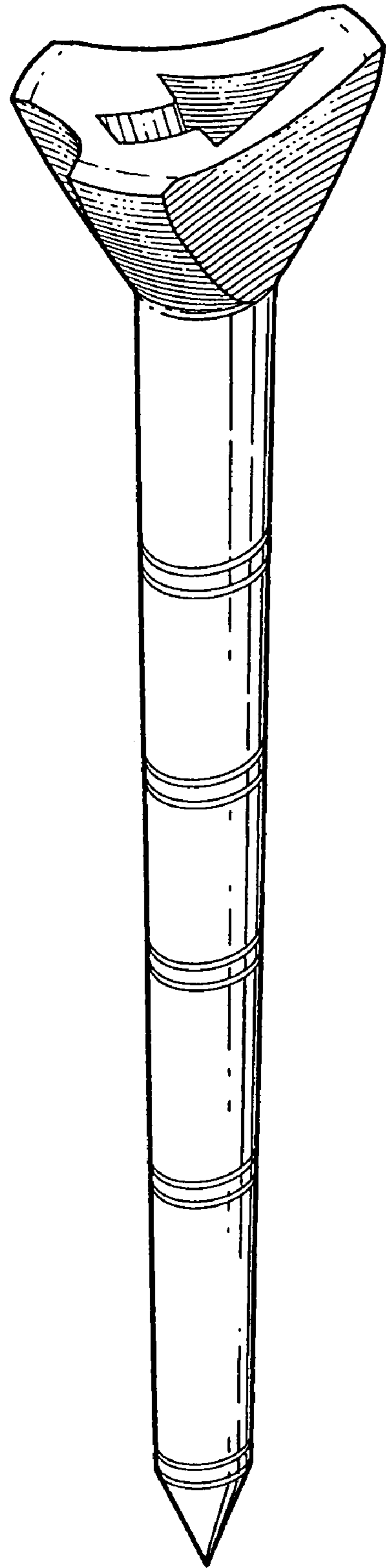


Fig. 2

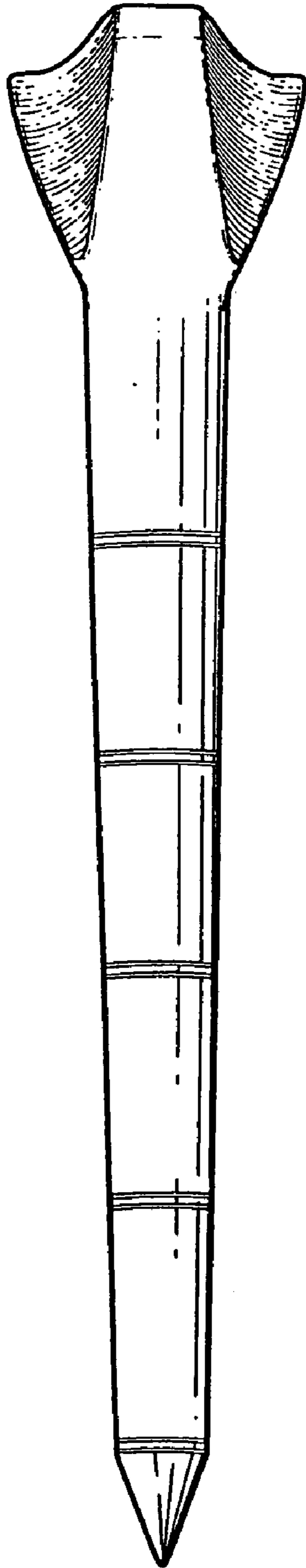


Fig. 3

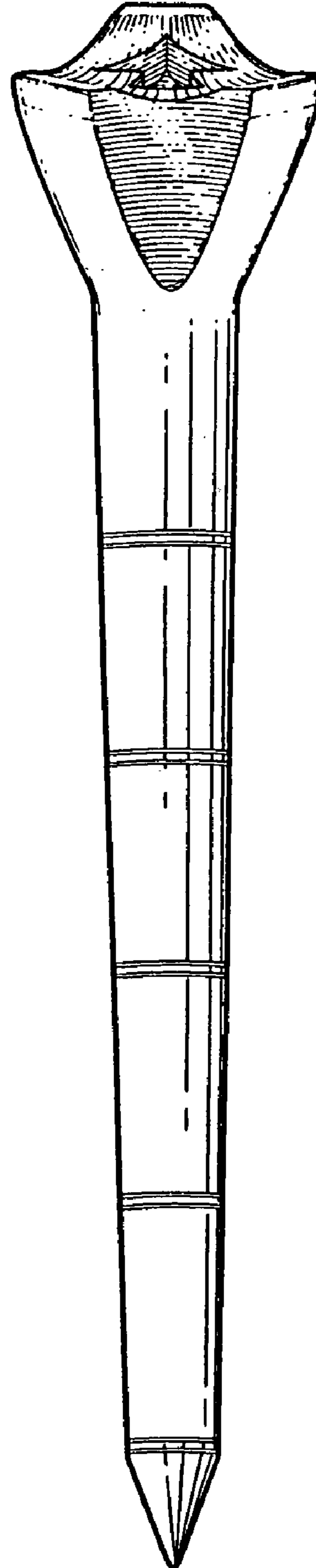


Fig. 4

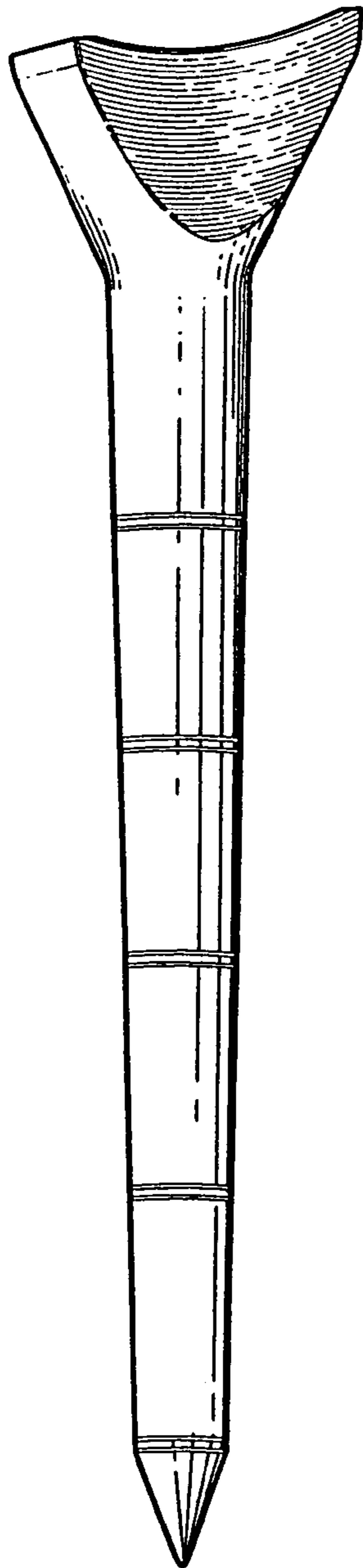


Fig. 5

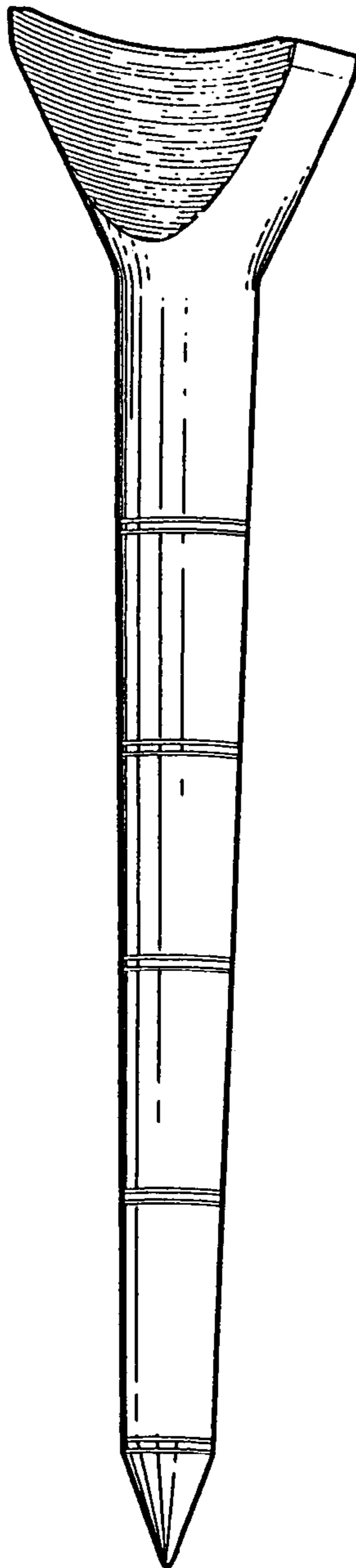


Fig. 6

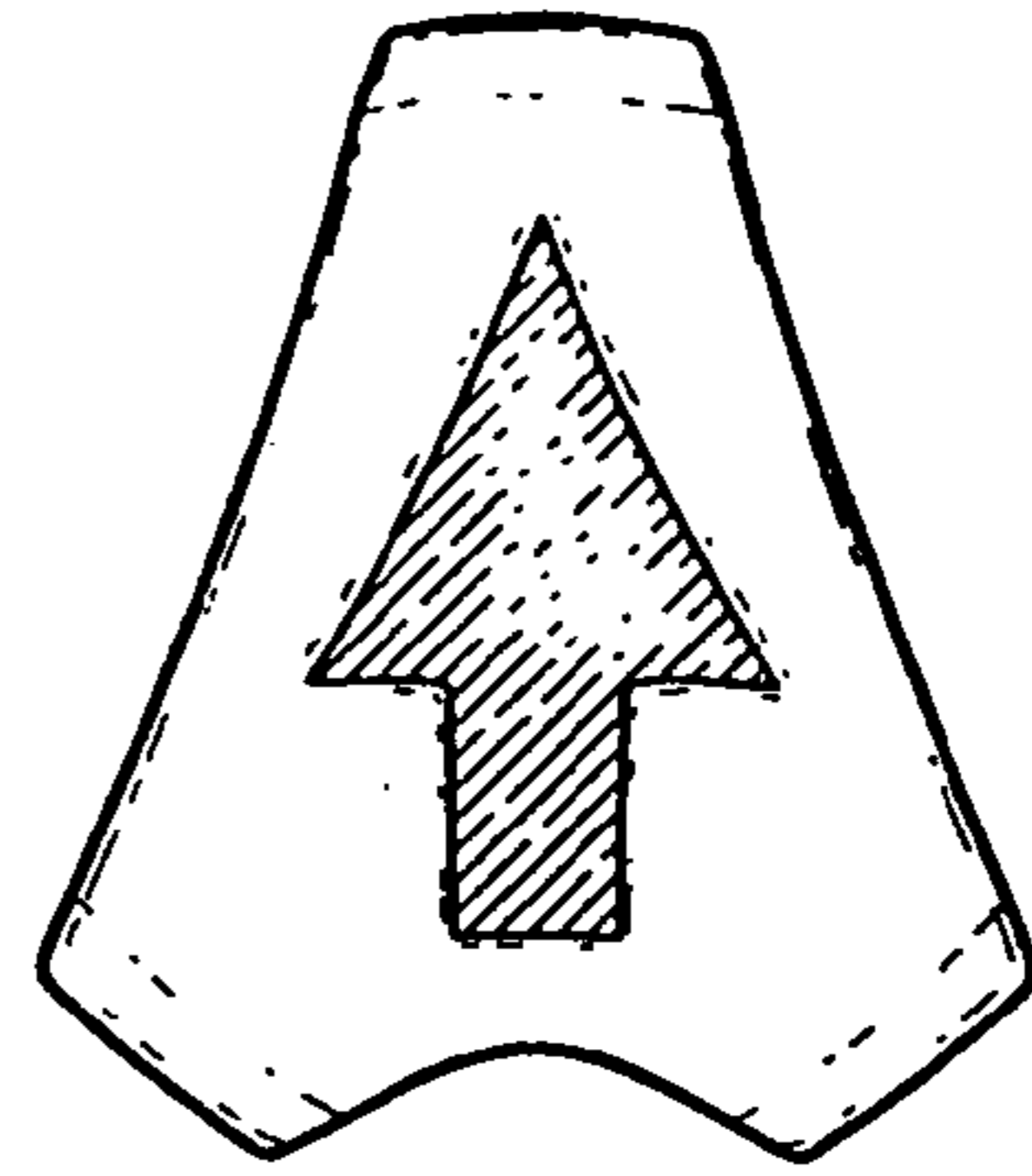


Fig. 7

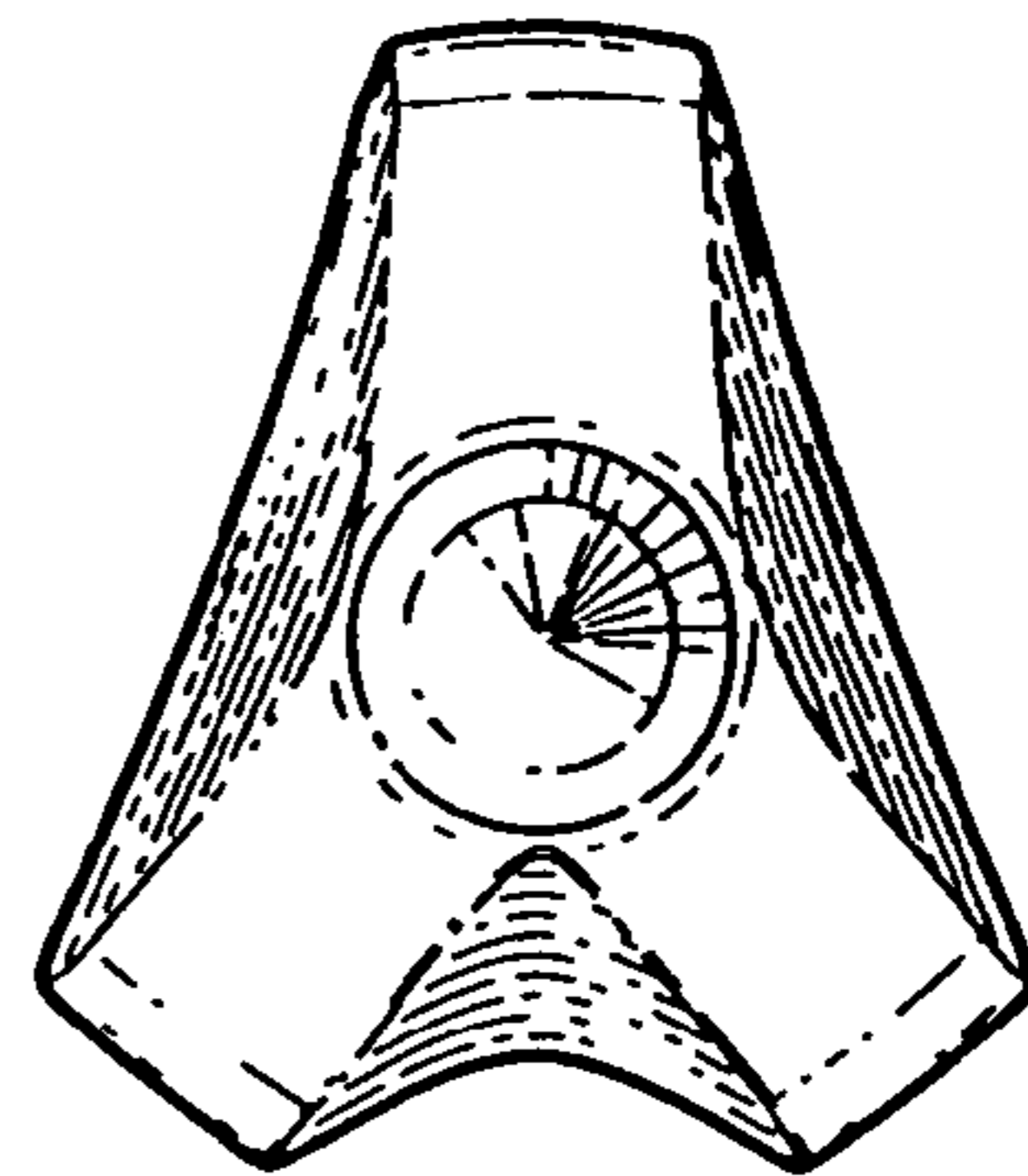


Fig. 8