



US00D559925S

(12) **United States Design Patent**  
**Horita**

(10) **Patent No.:** **US D559,925 S**

(45) **Date of Patent:** **\*\* Jan. 15, 2008**

(54) **EXERCISE DEVICE**

(75) Inventor: **Sean Horita**, Seattle, WA (US)

(73) Assignee: **Precor Incorporated**, Woodinville, WA (US)

(\*\*) Term: **14 Years**

(21) Appl. No.: **29/270,605**

(22) Filed: **Dec. 28, 2006**

(51) **LOC (8) Cl.** ..... **21-02**

(52) **U.S. Cl.** ..... **D21/670; D21/668**

(58) **Field of Classification Search** ..... D21/662,  
D21/663, 666, 667, 668, 669, 670, 673; 482/51,  
482/52, 54, 57, 70, 72  
See application file for complete search history.

(56) **References Cited**

**U.S. PATENT DOCUMENTS**

5,746,683	A *	5/1998	Lee	.....	482/57
D398,672	S *	9/1998	Sands et al.	.....	D21/663
5,823,914	A *	10/1998	Chen	.....	482/51
5,910,072	A	6/1999	Rawls et al.	.....	482/51
6,007,462	A *	12/1999	Chen	.....	482/57
6,022,296	A *	2/2000	Yu	.....	482/52
6,149,551	A *	11/2000	Pyles et al.	.....	482/52
D459,773	S *	7/2002	Hsiung	.....	D21/668
D464,688	S *	10/2002	May et al.	.....	D21/668
D489,101	S *	4/2004	Giannelli et al.	.....	D21/668
D493,201	S *	7/2004	Giannelli et al.	.....	D21/668
D512,112	S *	11/2005	Nagano	.....	D21/668
D530,758	S *	10/2006	Kim	.....	D21/668
2003/0092532	A1	5/2003	Giannelli et al.	.....	482/51

2004/0224825	A1	11/2004	Giannelli et al.	.....	482/51
2005/0124466	A1	6/2005	Rodgers, Jr.	.....	482/52
2005/0124467	A1	6/2005	Rodgers, Jr.	.....	482/52
2006/0035754	A1	2/2006	Giannelli et al.	.....	482/51
2006/0040794	A1	2/2006	Giannelli et al.	.....	482/51

\* cited by examiner

*Primary Examiner*—Philip S. Hyder

(74) *Attorney, Agent, or Firm*—Terence P. O'Brien

(57) **CLAIM**

I claim the ornamental design for an exercise device, as shown and described.

**DESCRIPTION**

FIG. 1 is a front side perspective view of an exercise device; FIG. 2 is a rear side perspective view of the exercise device of FIG. 1;

FIG. 3 is a top view of the exercise device of FIG. 1;

FIG. 4 is a first side view of the exercise device of FIG. 1;

FIG. 5 is a second side view of the exercise device of FIG. 1;

FIG. 6 is a front view of the exercise device of FIG. 1;

FIG. 7 is a rear view of the exercise device of FIG. 1; and,

FIG. 8 is bottom view of the exercise device of FIG. 1.

The ornamental design that is claimed is shown in solid lines in the drawings. The broken (dashed) lines shown in the drawings are included for the purpose of illustrating environmental elements only and form no part of the claimed design.

**1 Claim, 7 Drawing Sheets**

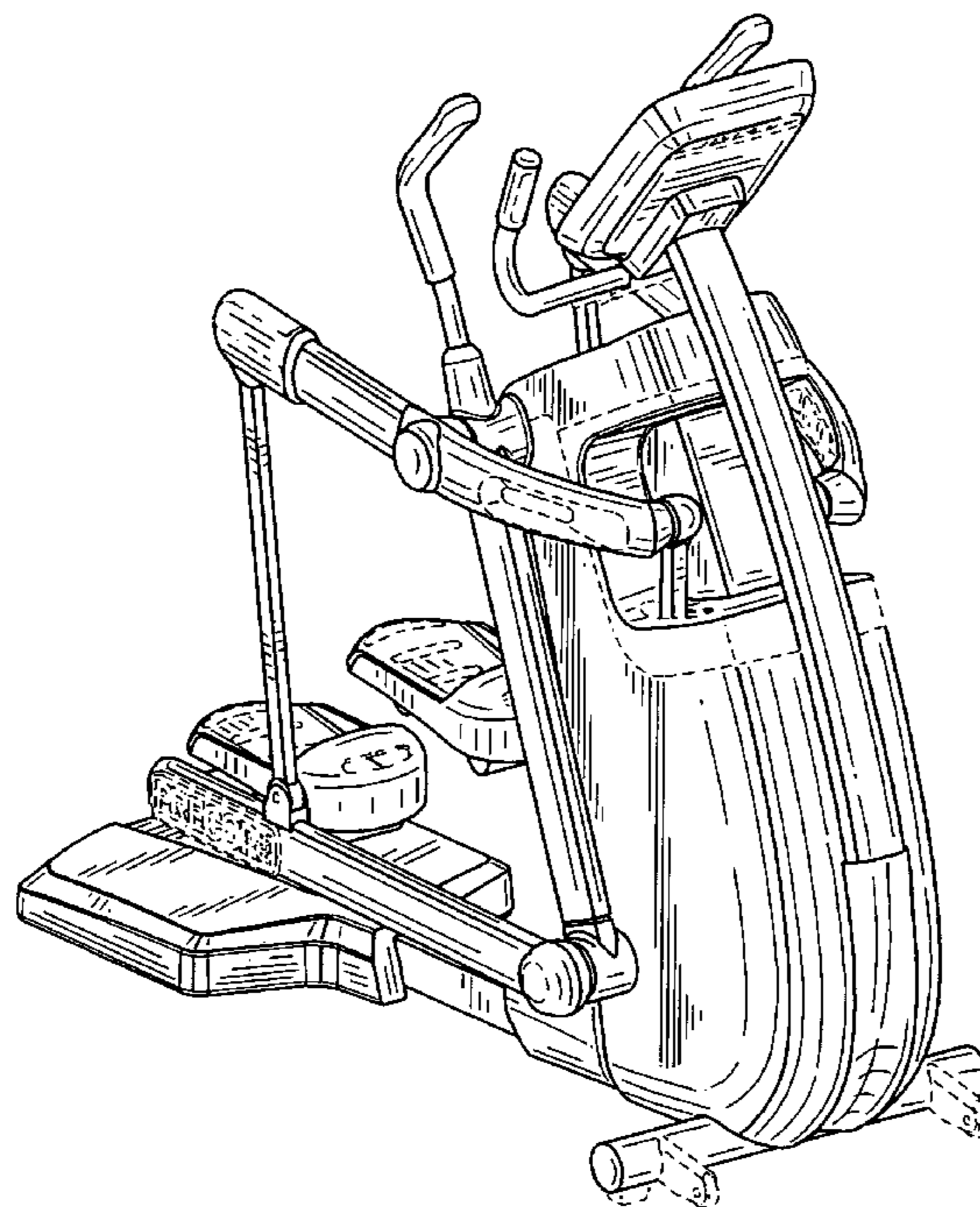


FIG. 1

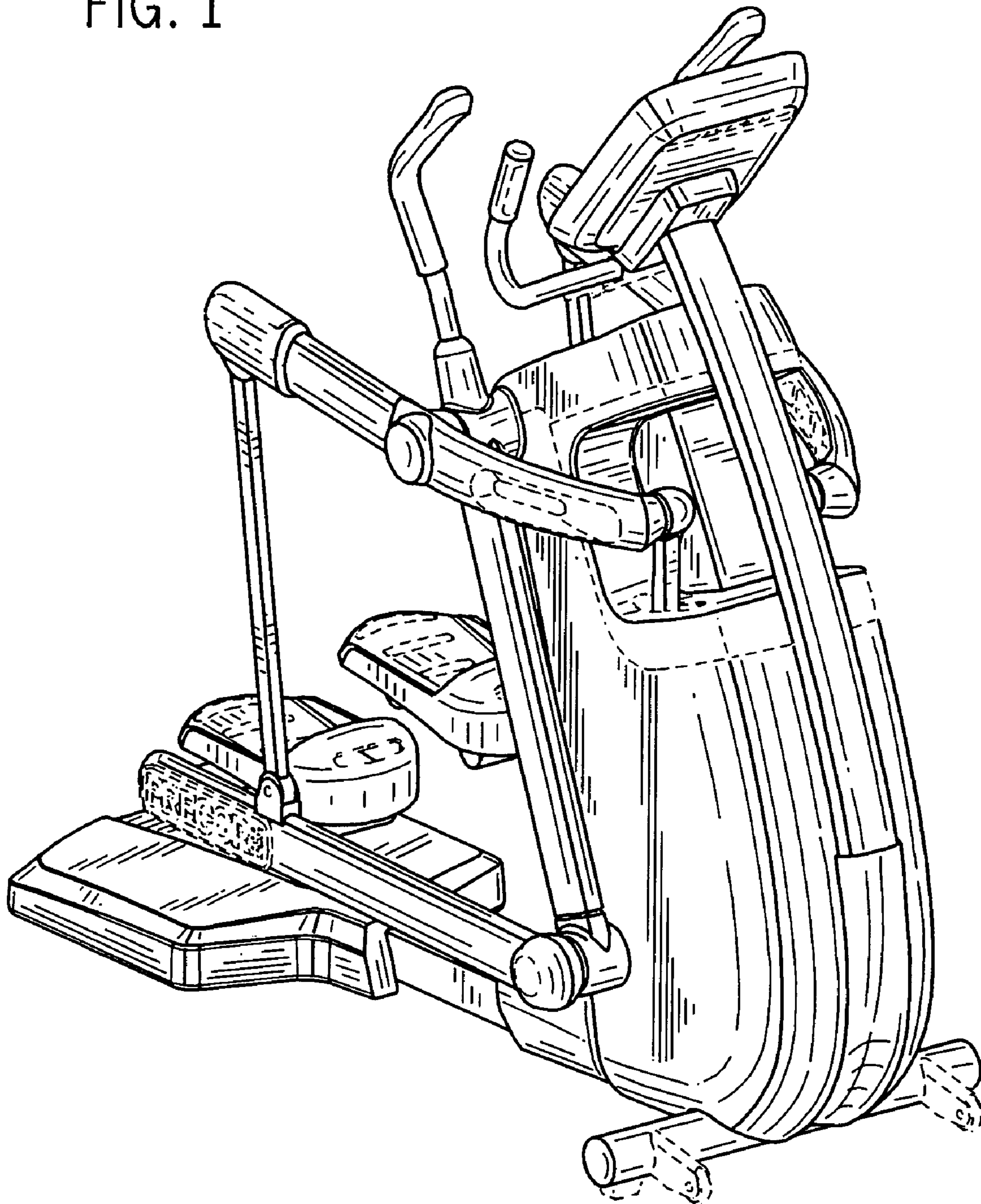
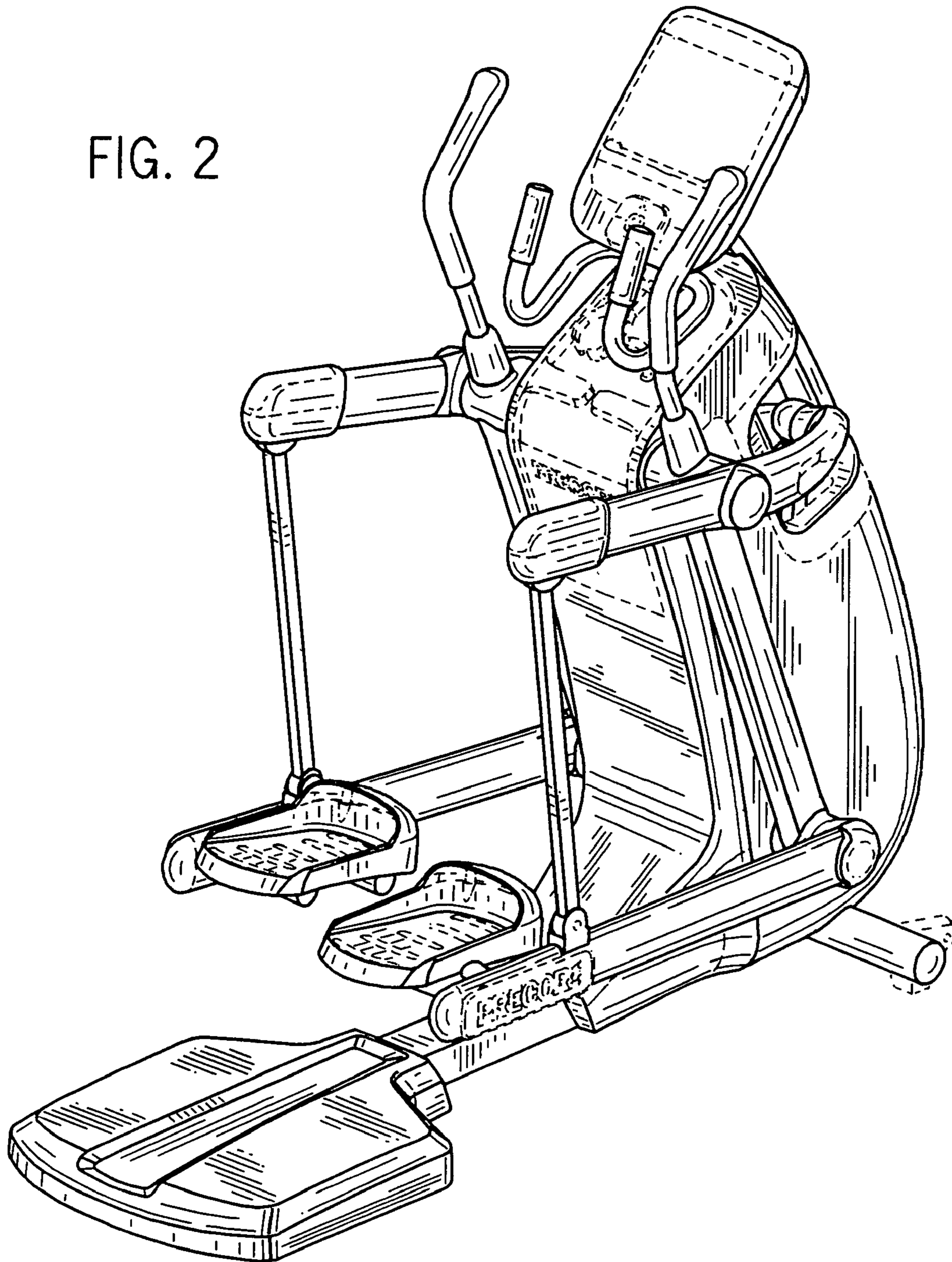


FIG. 2



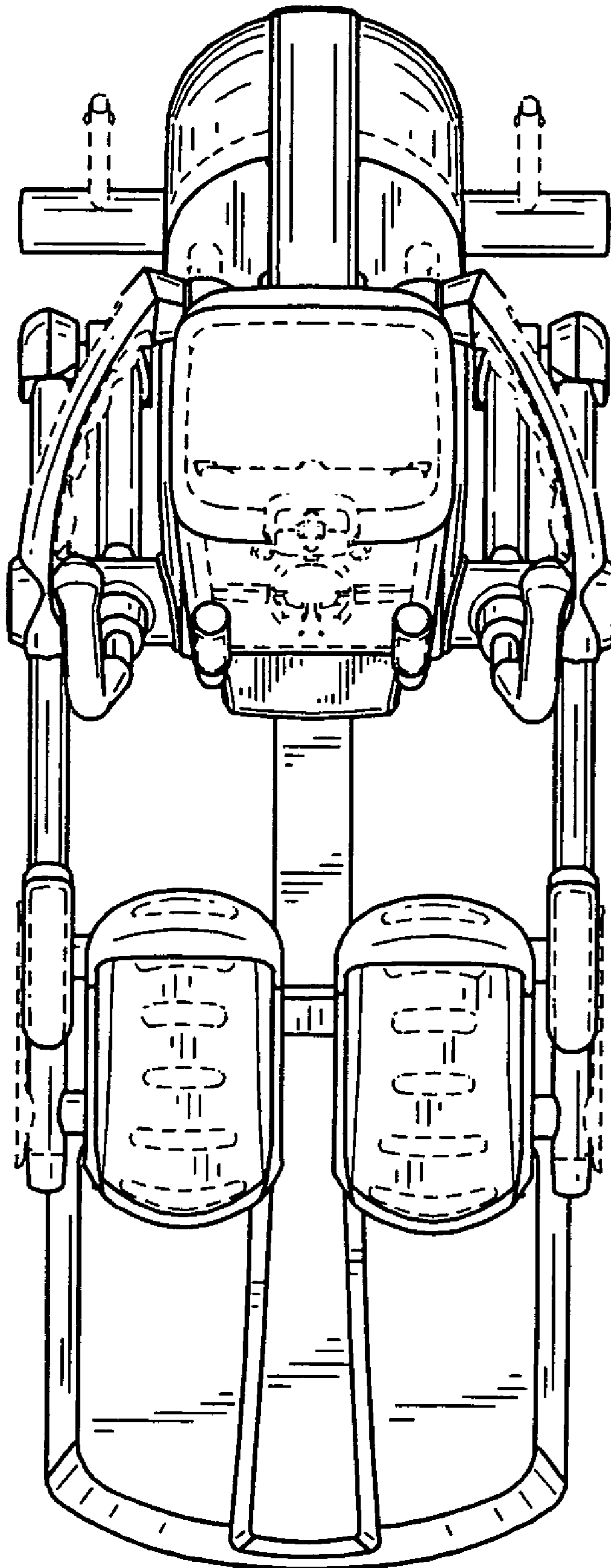


FIG. 3

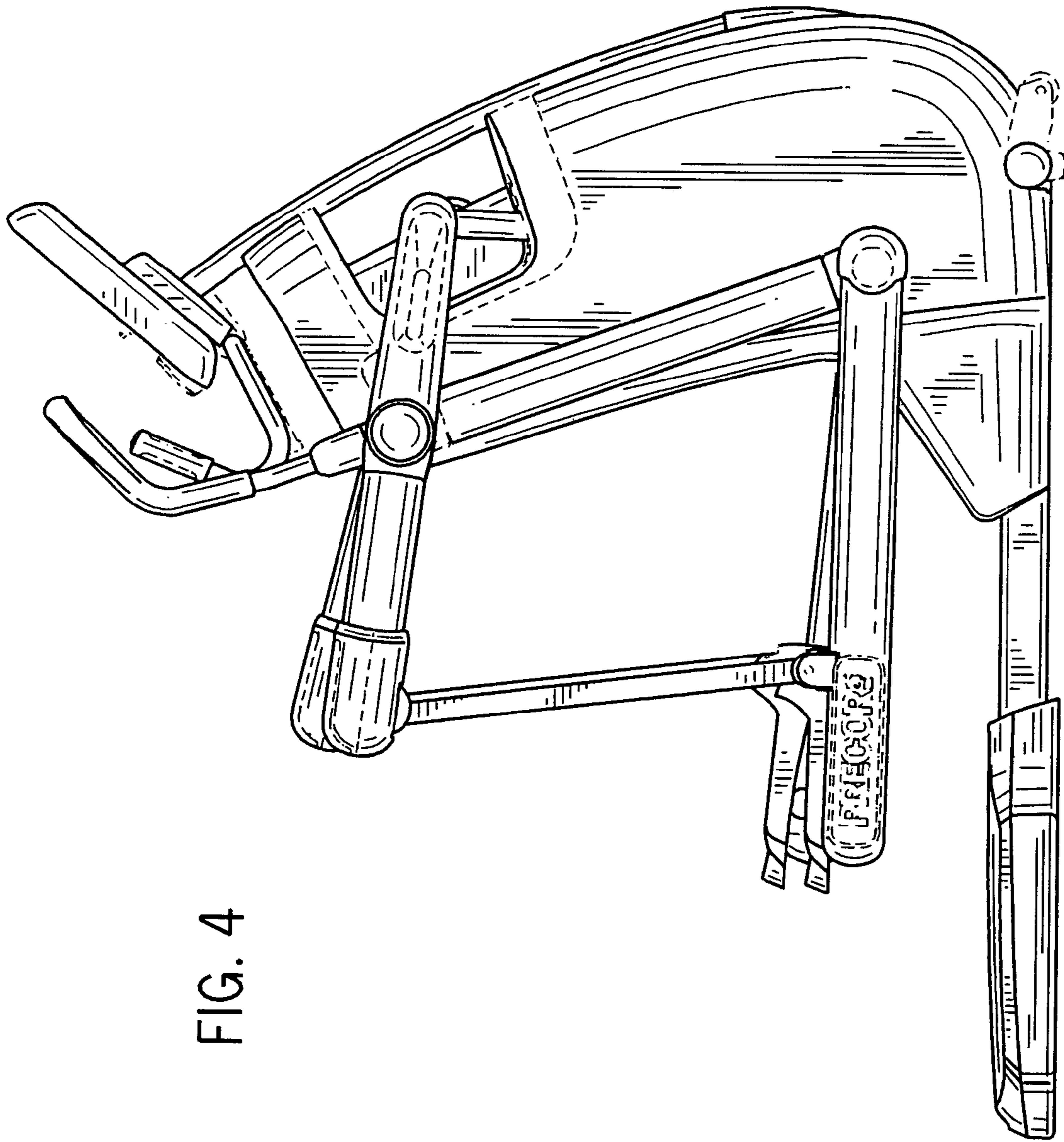


FIG. 4

FIG. 5

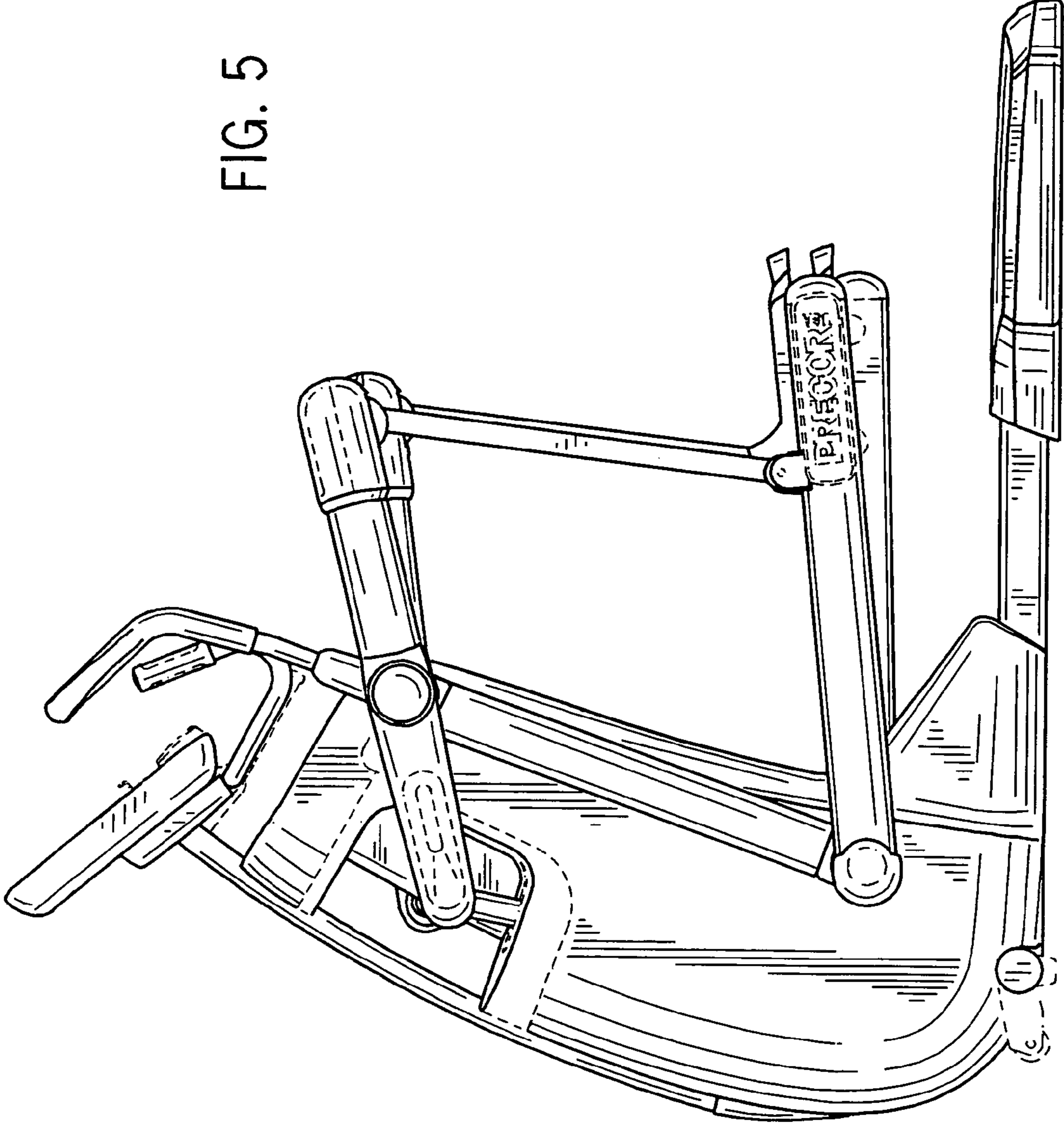


FIG. 7

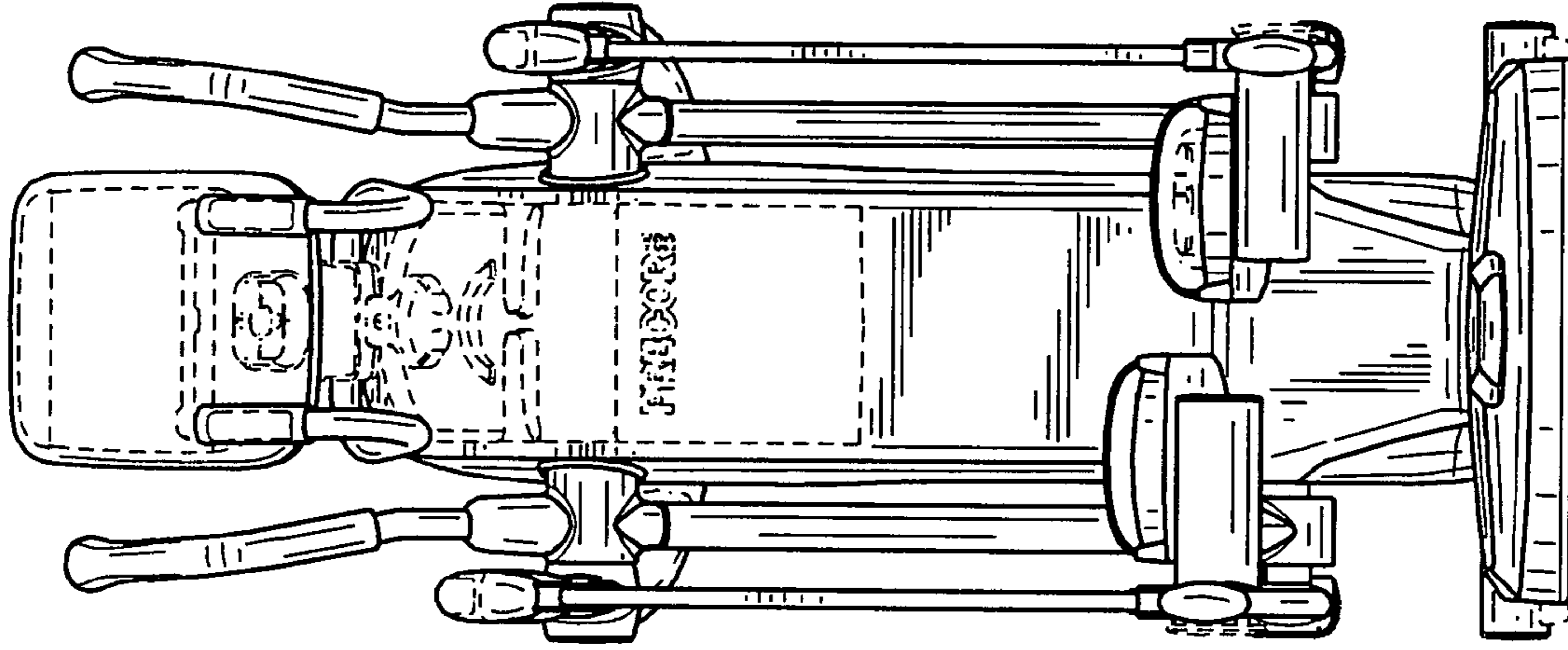
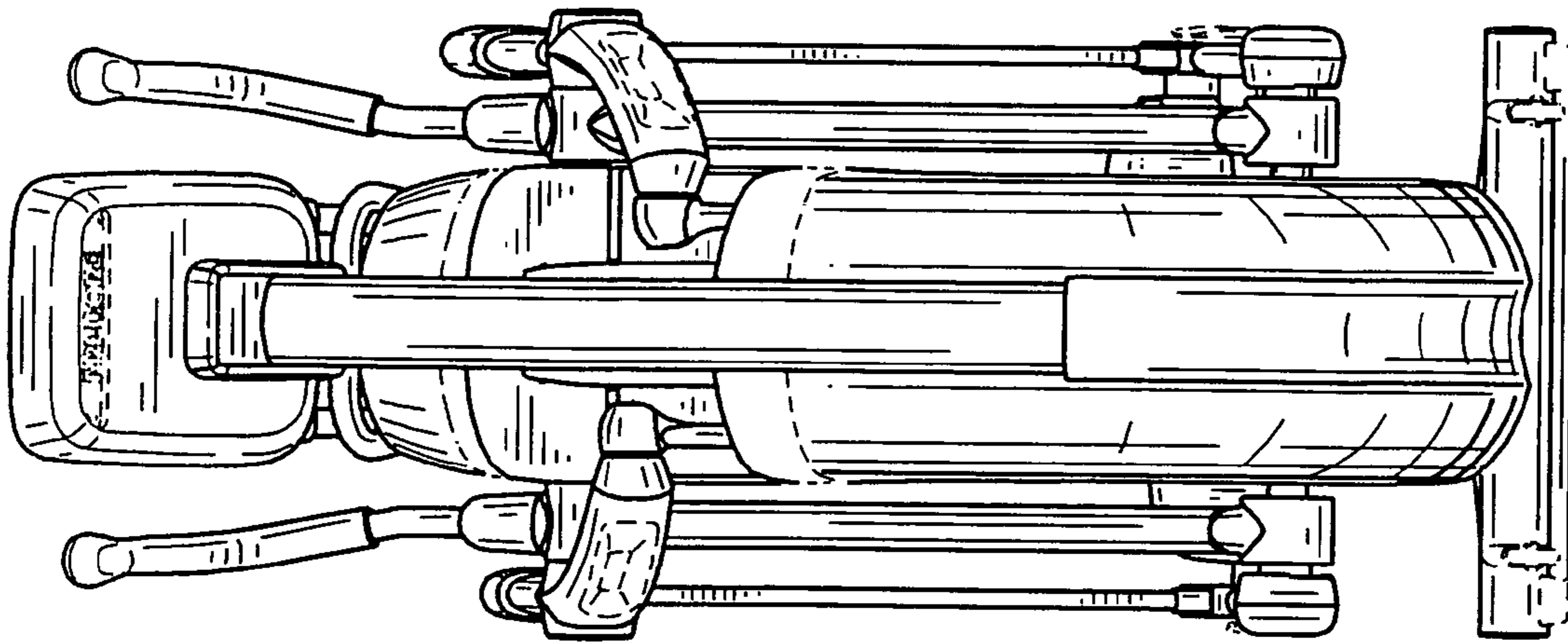


FIG. 6



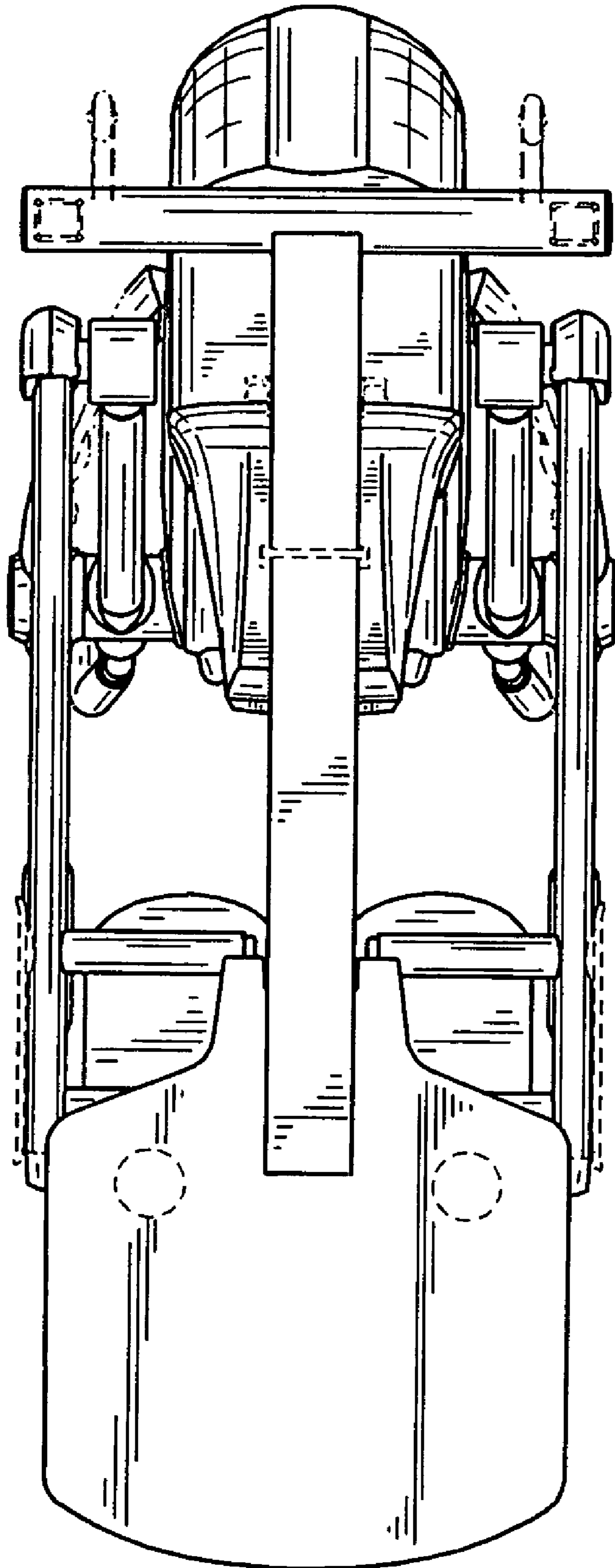


FIG. 8