



US00D559924S

(12) **United States Design Patent**
Wu

(10) **Patent No.:** **US D559,924 S**
(45) **Date of Patent:** **** Jan. 15, 2008**

(54) **BODY VIBRATION MACHINE**

(75) Inventor: **Mu-Chuan Wu**, Tainan Hsien (TW)

(73) Assignee: **Tonic Fitness Technology, Inc.**, Tainan Hsien (TW)

(**) Term: **14 Years**

(21) Appl. No.: **29/264,314**

(22) Filed: **Aug. 9, 2006**

(51) **LOC (8) Cl.** **21-02**

(52) **U.S. Cl.** **D21/661; D21/686**

(58) **Field of Classification Search** D21/662,
D21/671, 686, 688, 689; 601/23, 49, 51,
601/66, 70, 90; 482/27, 51, 145, 146, 91,
482/112, 113; D24/200, 215

See application file for complete search history.

(56) **References Cited**

U.S. PATENT DOCUMENTS

5,112,048	A *	5/1992	Kienle	273/121 R
5,921,899	A *	7/1999	Rose	482/112
D460,506	S *	7/2002	Tammaing et al.	D21/686
6,692,419	B2 *	2/2004	Chen	482/146
D500,100	S *	12/2004	van der Meer	D21/662
D518,533	S *	4/2006	van der Meer	D21/662
D522,074	S *	5/2006	Dummel	D21/662
D538,358	S *	3/2007	Glier	D21/662

D548,291	S *	8/2007	Chiang	D21/662
2004/0068211	A1 *	4/2004	Leivseth et al.	601/49
2005/0131319	A1 *	6/2005	van der Meer	601/49
2005/0165332	A1 *	7/2005	Talish et al.	601/23

OTHER PUBLICATIONS

Fitness Zone Websight, Vibration Exercisers, Sep. 2007.*

* cited by examiner

Primary Examiner—Philip S. Hyder

(74) *Attorney, Agent, or Firm*—Bacon & Thomas, PLLC

(57) **CLAIM**

The ornamental design for a body vibration machine, as shown and described.

DESCRIPTION

FIG. 1 is a perspective view of a body vibration machine showing my new design;

FIG. 2 is a front elevational view thereof;

FIG. 3 is a rear elevational view thereof;

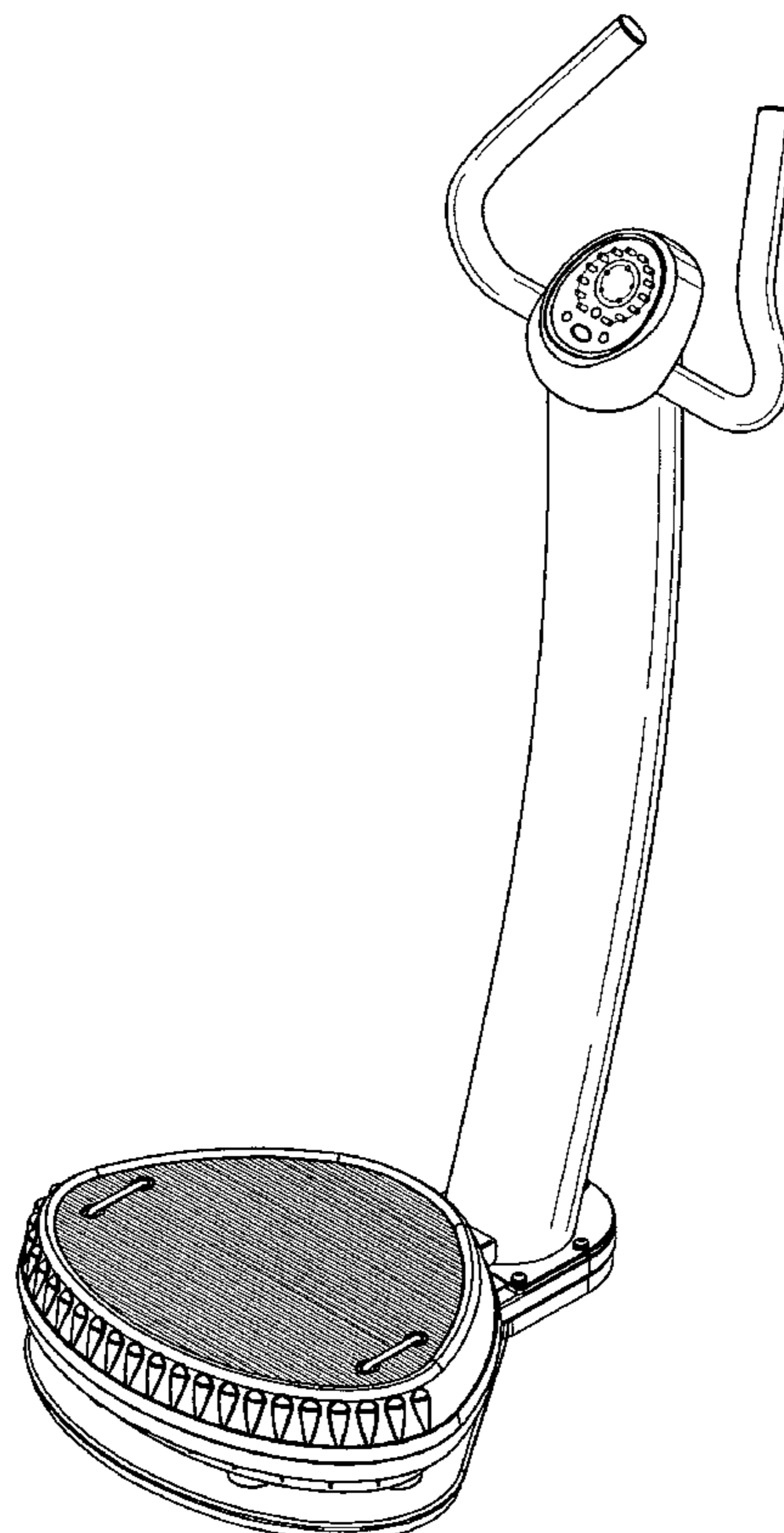
FIG. 4 is a left side elevational view thereof;

FIG. 5 is a right side elevational view thereof;

FIG. 6 is a top plan view thereof; and,

FIG. 7 is a bottom plan view thereof.

1 Claim, 6 Drawing Sheets



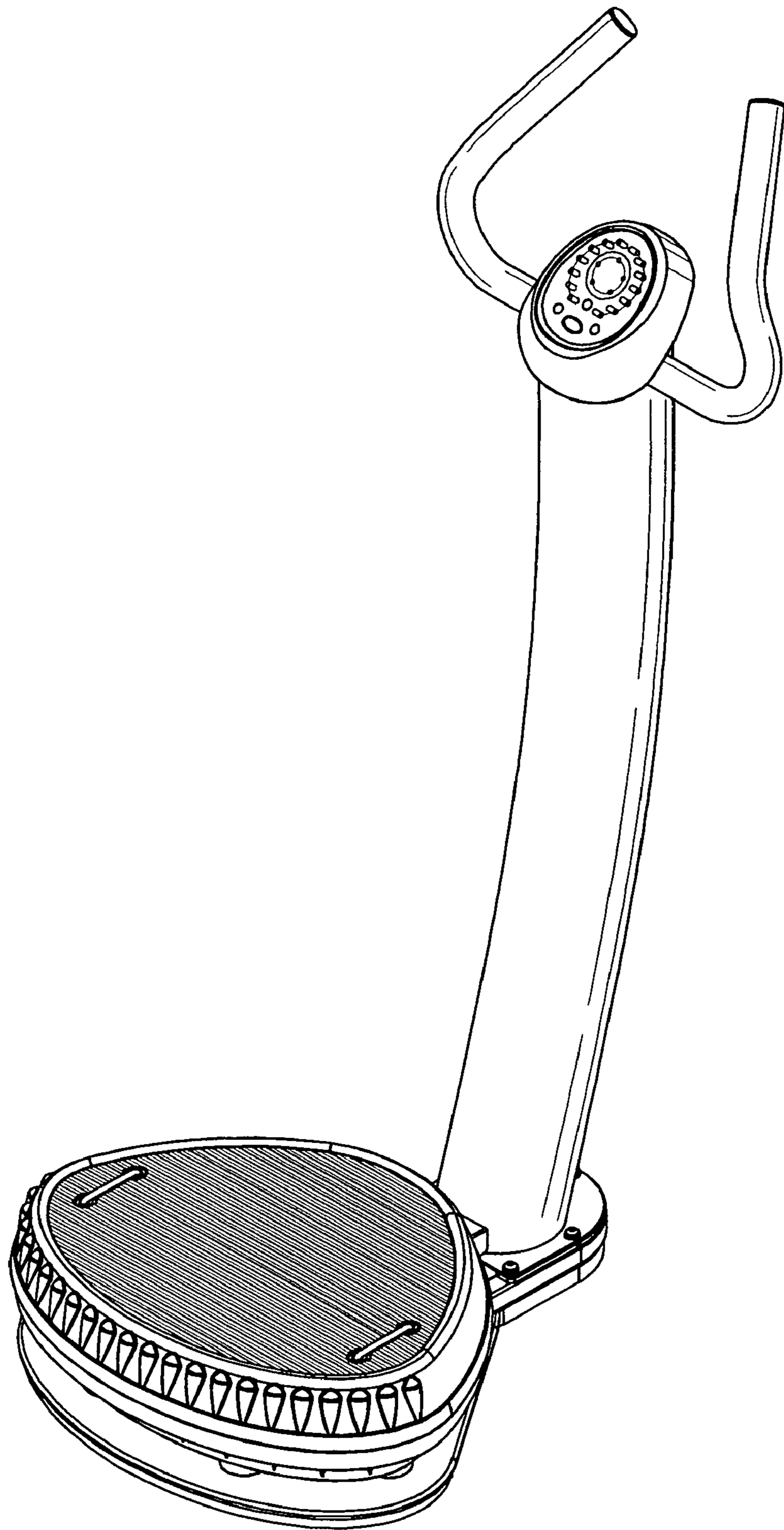


FIG. 1

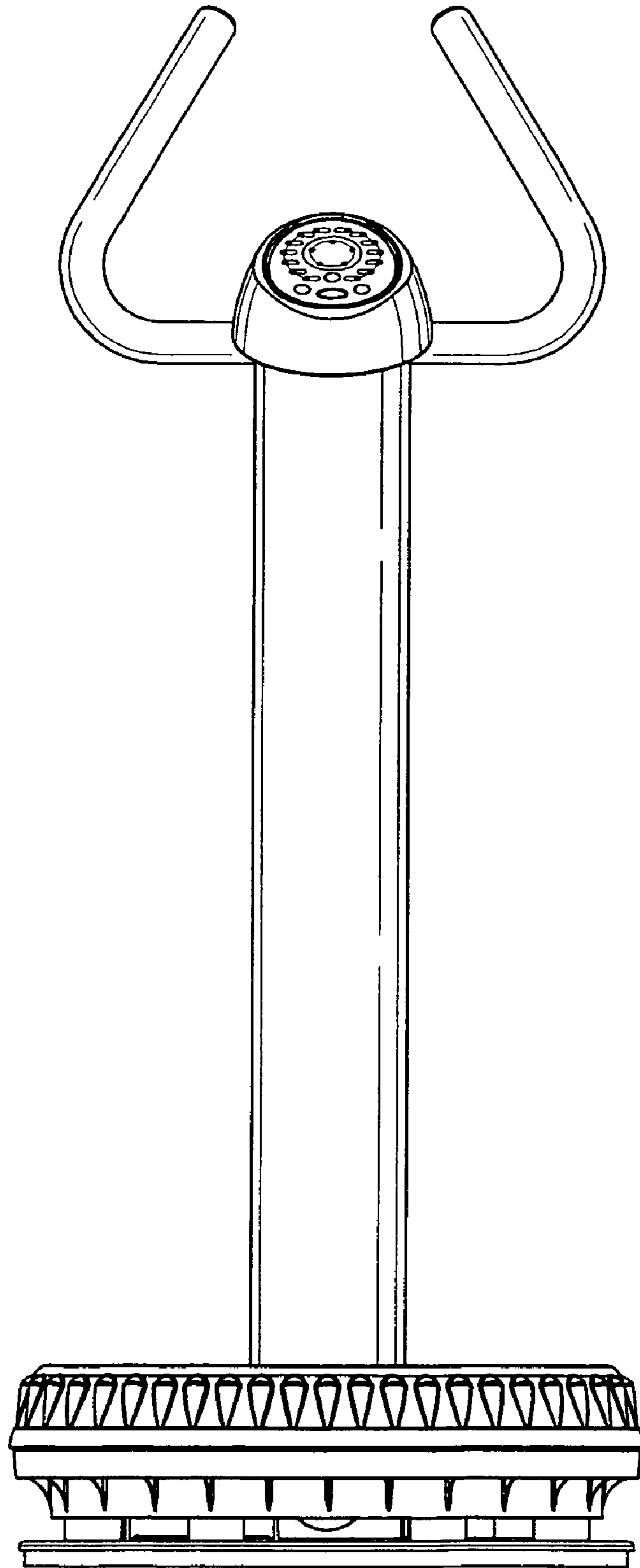


FIG. 2

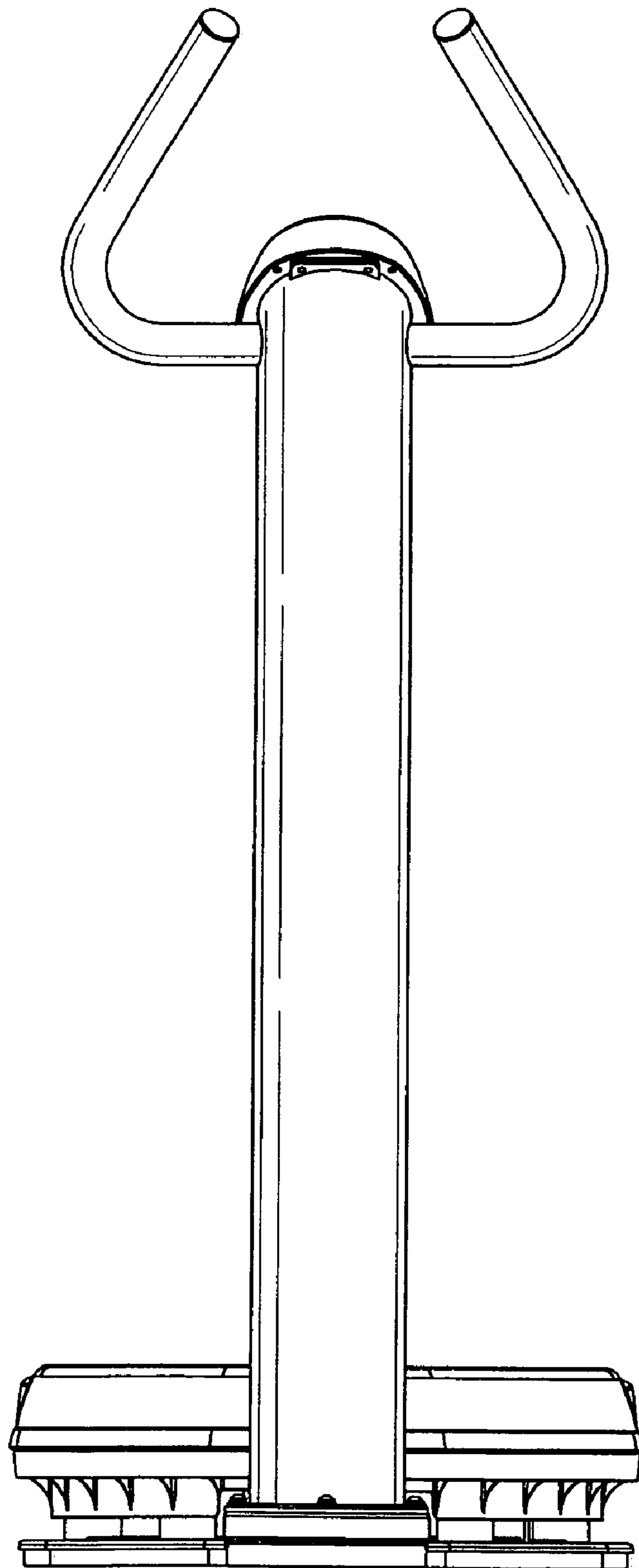


FIG. 3

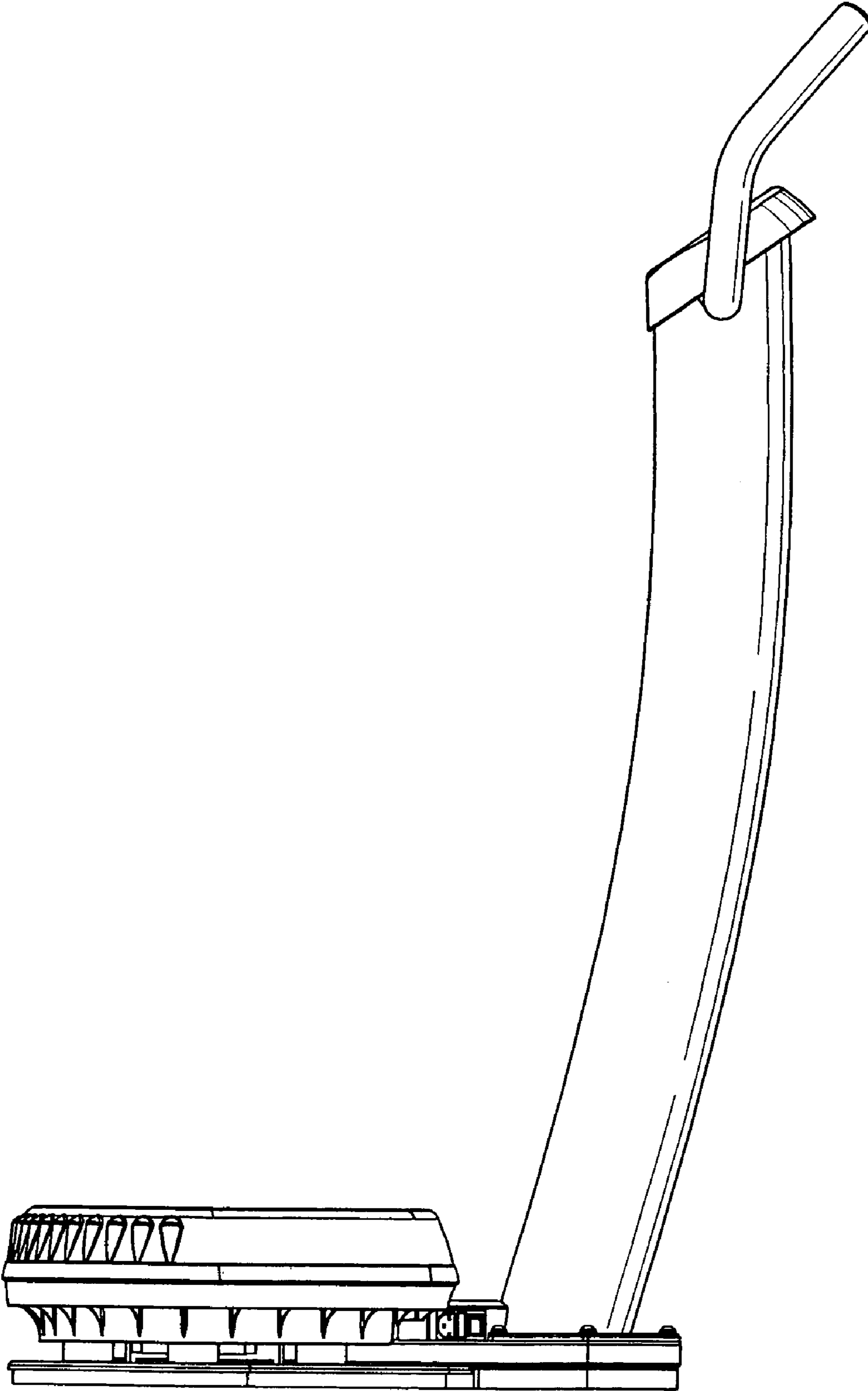


FIG. 4

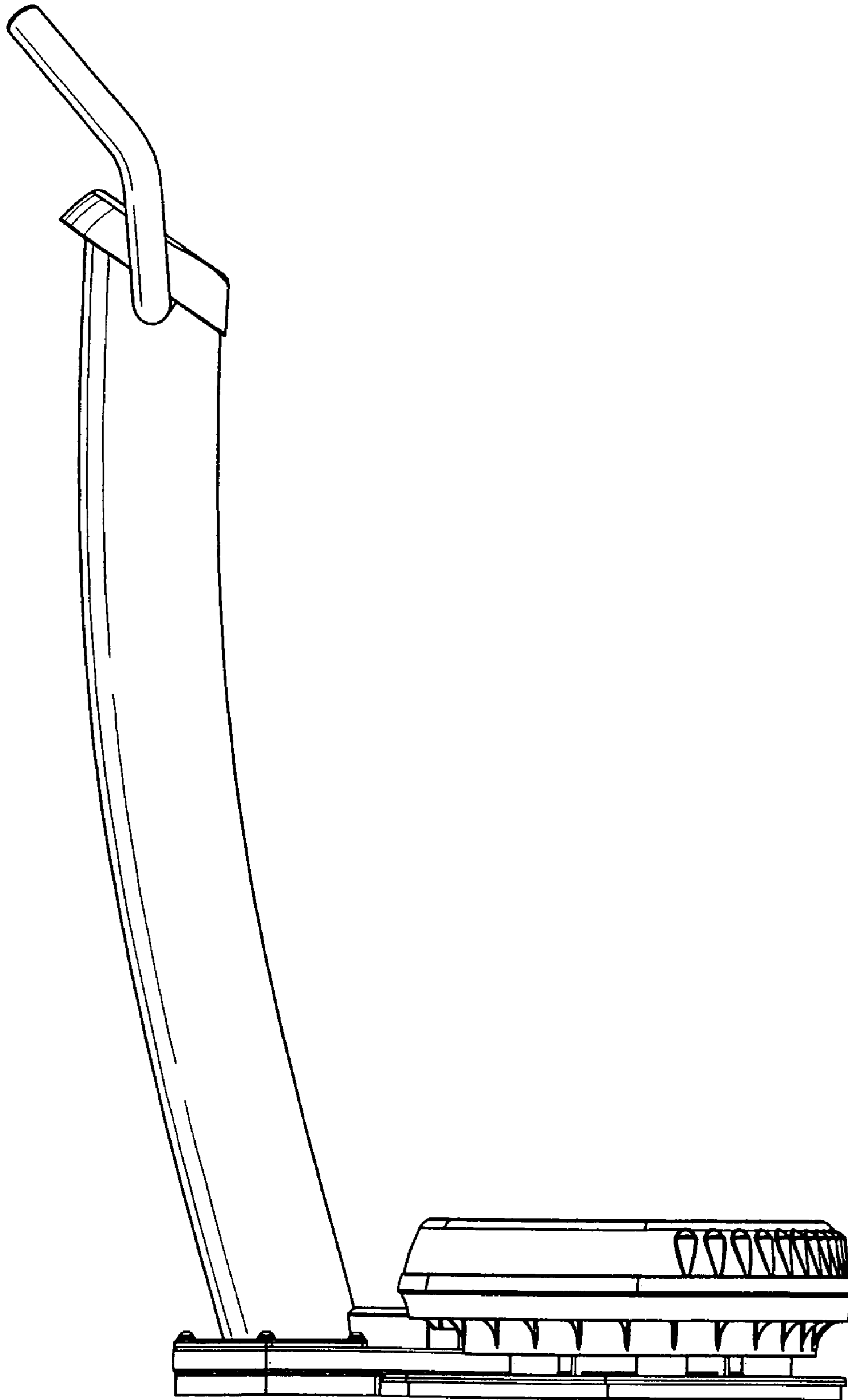


FIG. 5

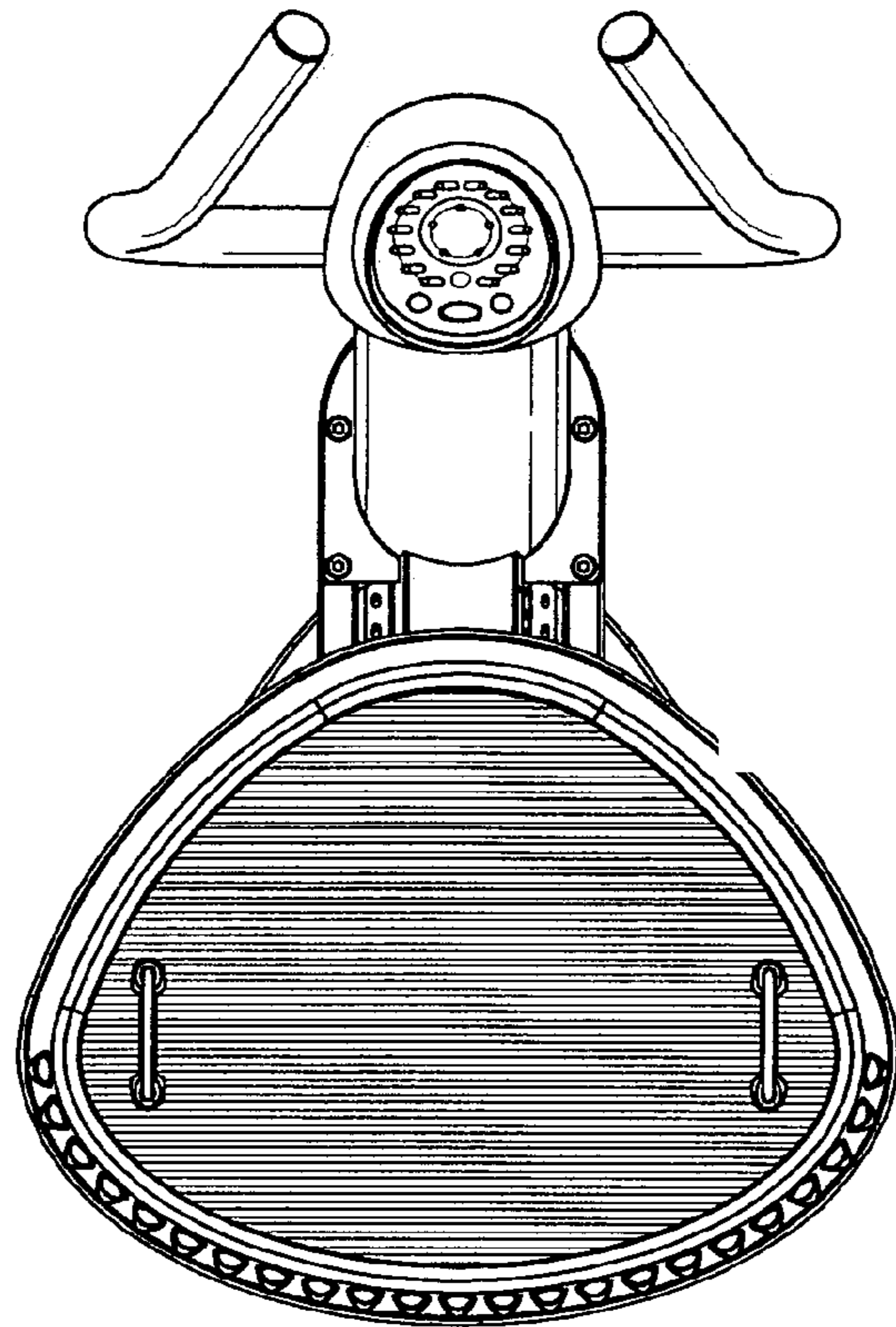


FIG. 6

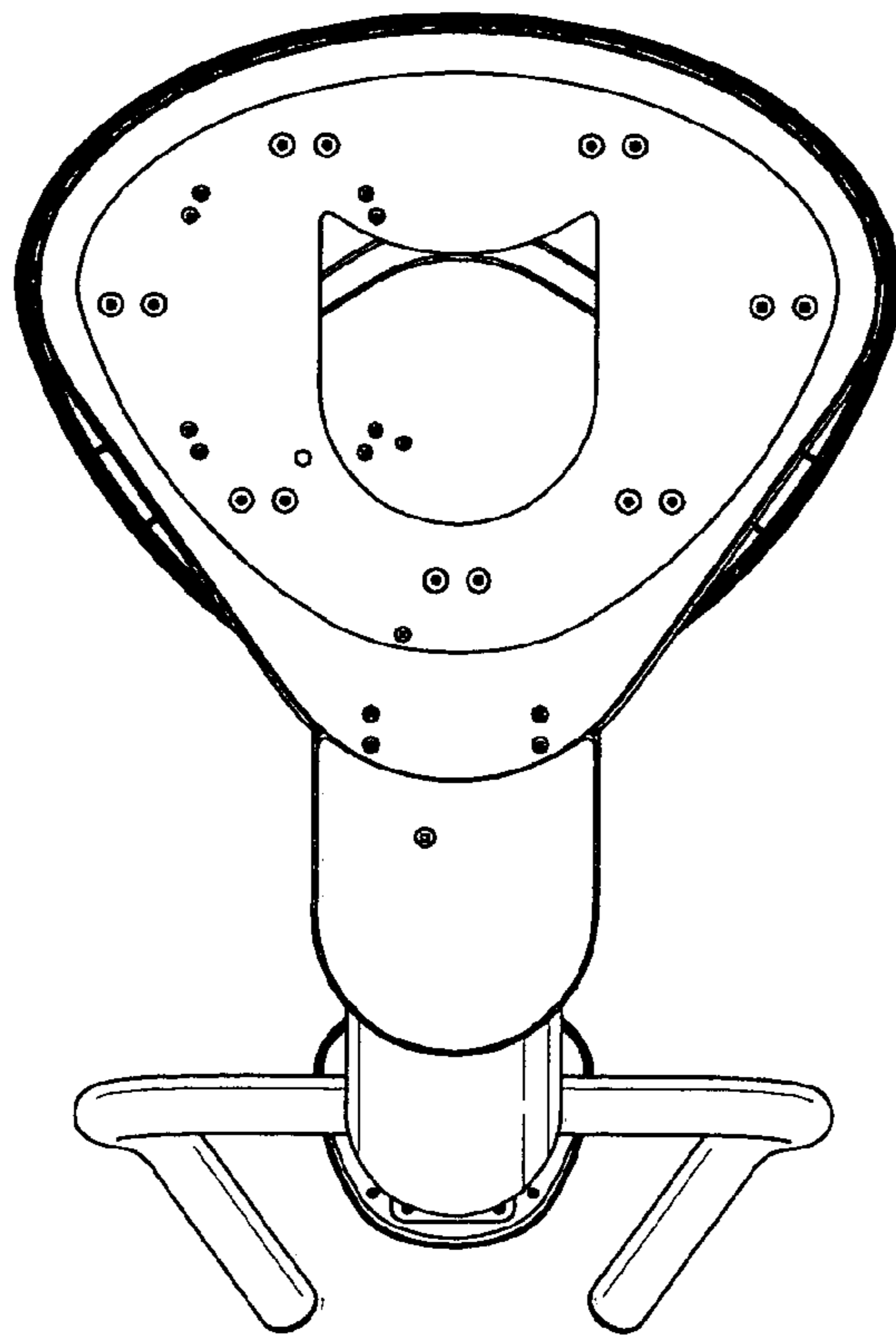


FIG. 7