



US00D559923S

(12) **United States Design Patent**
Broersma

(10) **Patent No.:** **US D559,923 S**
(45) **Date of Patent:** **** Jan. 15, 2008**

(54) **MULTIPLE SLOT EXPANDED DIAMETER
PAINTBALL MARKER BARREL**

(75) Inventor: **Lester V. Broersma**, San Diego, CA
(US)

(73) Assignee: **JT Sports, LLC**, Bentonville, AR (US)

(**) Term: **14 Years**

(21) Appl. No.: **29/253,813**

(22) Filed: **Feb. 13, 2006**

(51) **LOC (8) Cl.** **21-01**

(52) **U.S. Cl.** **D21/573**

(58) **Field of Classification Search** D21/567,
D21/570, 572-575; D22/100, 103, 104;
124/7, 56, 63-67, 72-77, 83-85

See application file for complete search history.

(56) **References Cited**

U.S. PATENT DOCUMENTS

5,228,427 A * 7/1993 Gardner, Jr. 124/71
D353,853 S * 12/1994 Albritton D21/572
D440,262 S * 4/2001 Fernandez et al. D21/570
6,668,815 B1 * 12/2003 Fernandez 124/83

D541,884 S * 5/2007 Orr D21/573
2005/0066953 A1 * 3/2005 Zouboulakis 124/73

* cited by examiner

Primary Examiner—Holly H. Baynham

Assistant Examiner—Cynthia M. Chin

(74) *Attorney, Agent, or Firm*—Keisling Pieper & Scott
PLC; David B. Pieper; Trent C. Keisling

(57) **CLAIM**

The ornamental design for a multiple slot expanded diameter paintball marker barrel, as shown and described.

DESCRIPTION

FIG. 1 is a front view of a multiple slot expanded diameter paintball marker barrel showing my new design;

FIG. 2 is a left side view thereof;

FIG. 3 is a back view thereof;

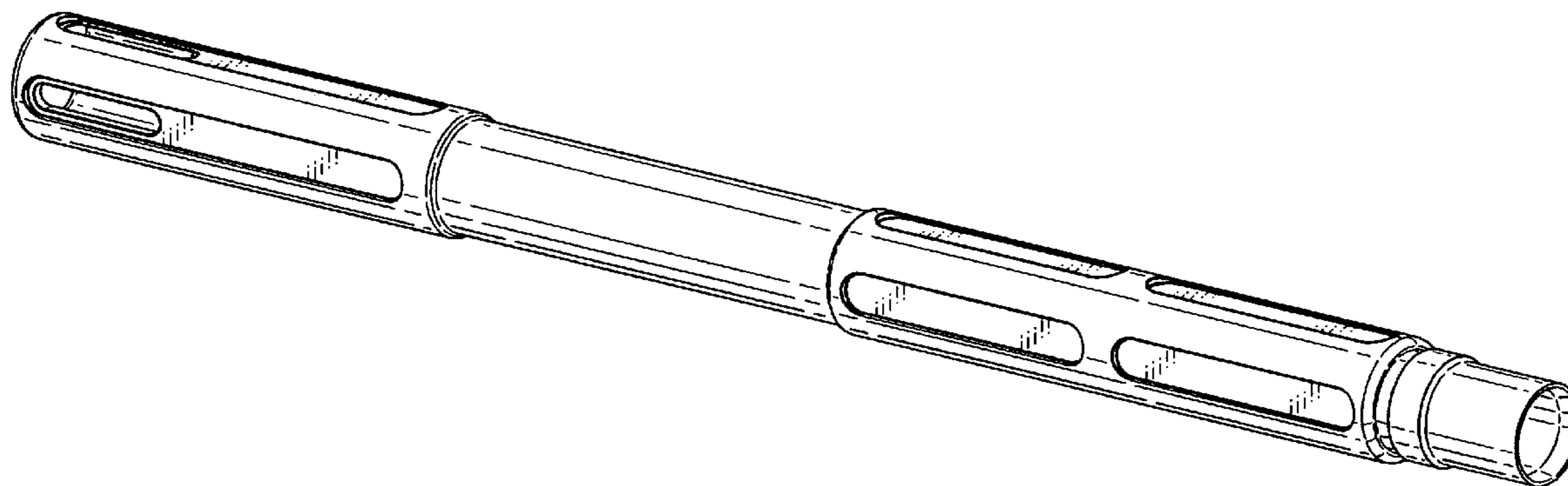
FIG. 4 is a top view thereof;

FIG. 5 is a right view thereof;

FIG. 6 is a back view thereof; and,

FIG. 7 is an isometric view thereof.

1 Claim, 2 Drawing Sheets



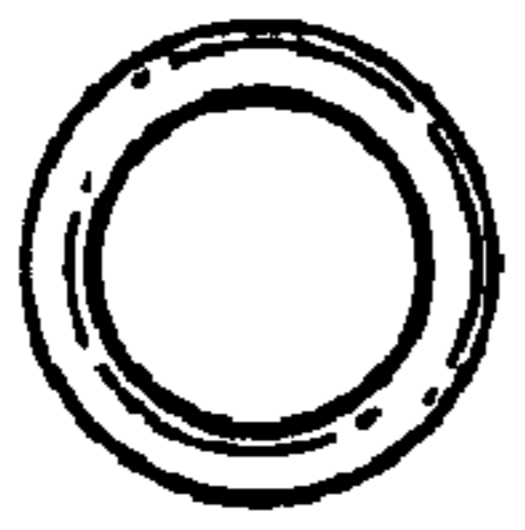


FIG. 1

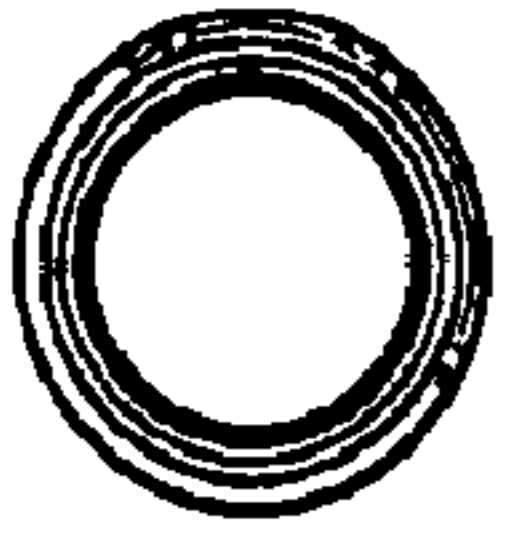


FIG. 3

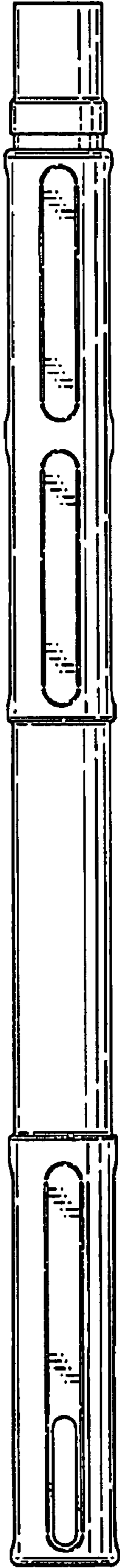


FIG. 2

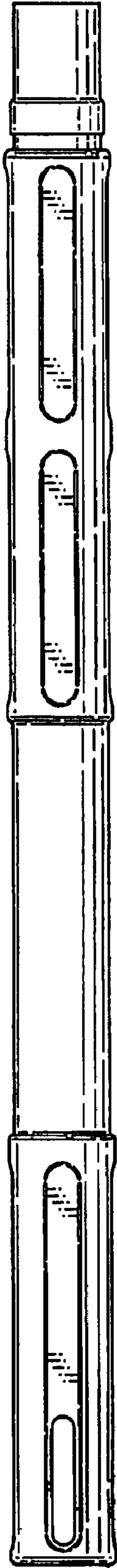


FIG. 4

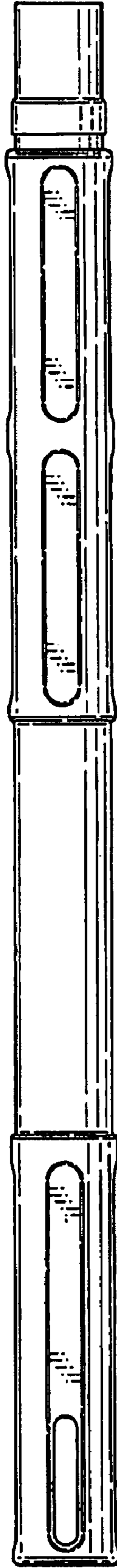


FIG. 5

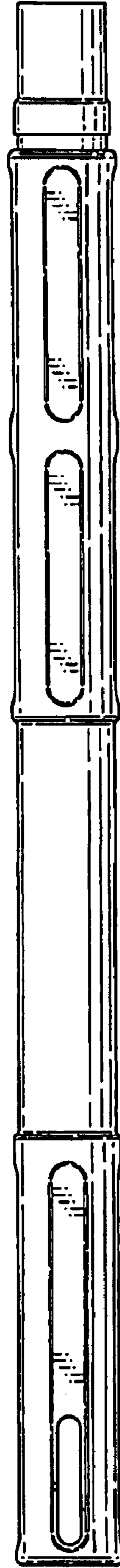


FIG. 6

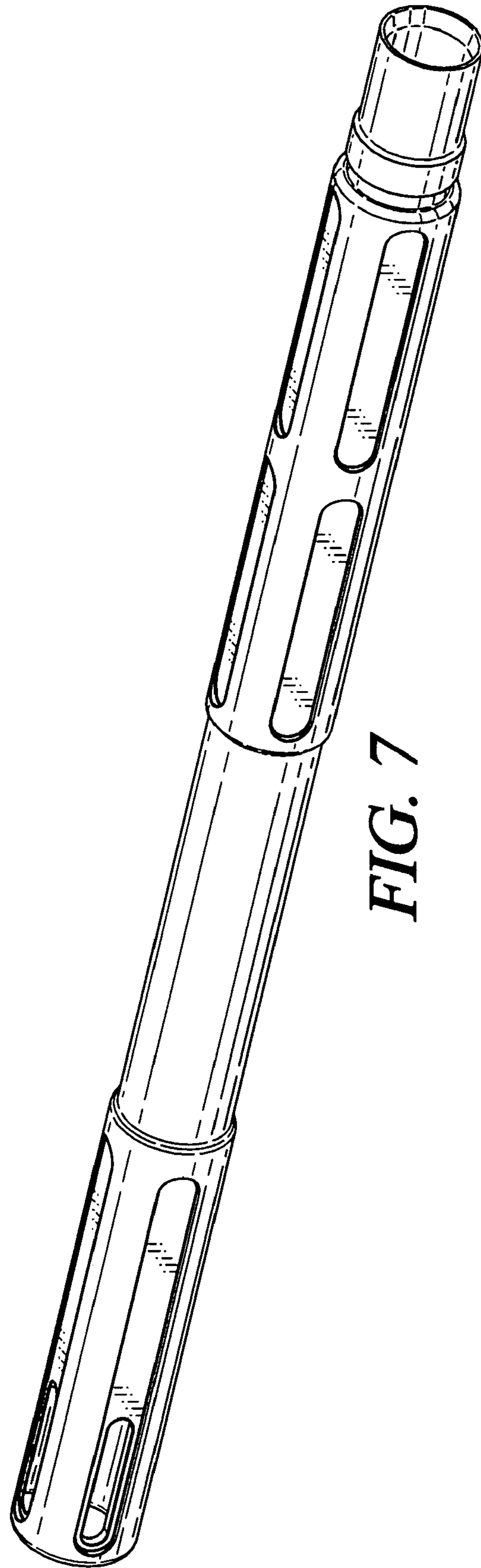


FIG. 7