



US00D559917S

(12) **United States Design Patent**  
**Cole**

(10) **Patent No.:** **US D559,917 S**  
(45) **Date of Patent:** **\*\* Jan. 15, 2008**

(54) **SLANT TOP GAMING MACHINE**

2006/0281559 A1\* 12/2006 Luciano ..... 463/46  
\* cited by examiner

(75) Inventor: **Joseph W. Cole**, North Las Vegas, NV  
(US)

*Primary Examiner*—Sandra L. Morris  
(74) *Attorney, Agent, or Firm*—Weide & Miller, Ltd.

(73) Assignee: **Cole Industries, Inc.**, Las Vegas, NV  
(US)

(57) **CLAIM**

(\*\*) Term: **14 Years**

The ornamental design for a slant top gaming machine, as shown and described.

(21) Appl. No.: **29/272,947**

(22) Filed: **Feb. 21, 2007**

**DESCRIPTION**

(51) **LOC (8) Cl.** ..... **21-03**

FIG. 1 is an isometric view of a slant top gaming machine in accordance with the present invention;

(52) **U.S. Cl.** ..... **D21/369**

FIG. 2 is a top view of the slant top gaming machine of FIG. 1;

(58) **Field of Classification Search** ..... D21/324,  
D21/329, 369–370, 385; 273/138.1, 309;  
463/11.13, 25–26, 46–47

FIG. 3 is a front view of the slant top gaming machine of FIG. 1;

See application file for complete search history.

FIG. 4 is a side view of the slant top gaming machine of FIG. 1;

(56) **References Cited**

**U.S. PATENT DOCUMENTS**

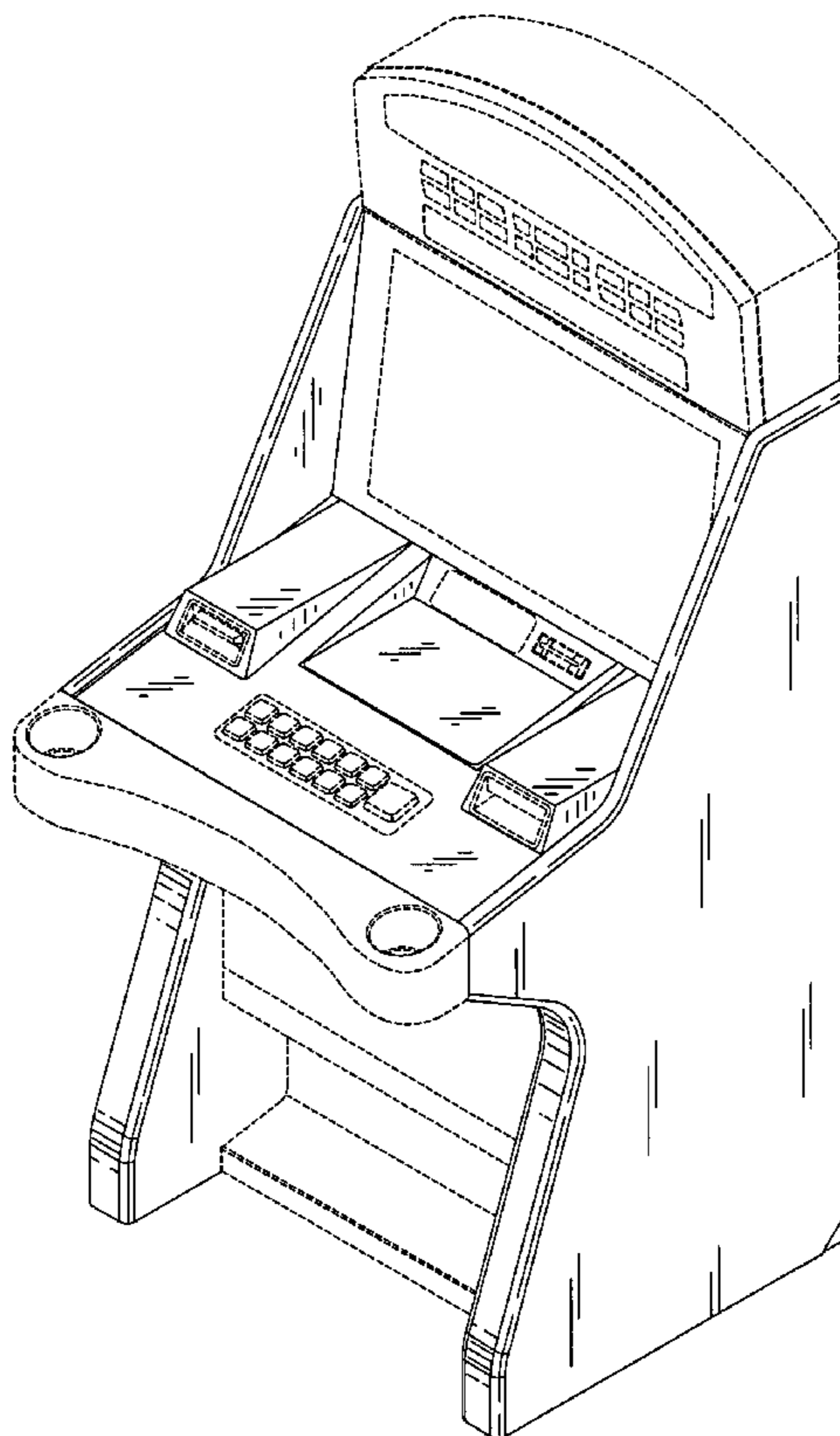
6,201,532	B1 *	3/2001	Tode et al.	463/46
D460,915	S *	7/2002	Lynch	D21/329
6,443,837	B1 *	9/2002	Jaffe et al.	463/25
D464,377	S *	10/2002	Wurz et al.	21/369
D496,407	S *	9/2004	Gadda et al.	D21/370
6,820,875	B1 *	11/2004	Hedrick et al.	273/138.1
6,962,528	B2 *	11/2005	Yokota	463/25
2006/0131810	A1 *	6/2006	Nicely	463/11

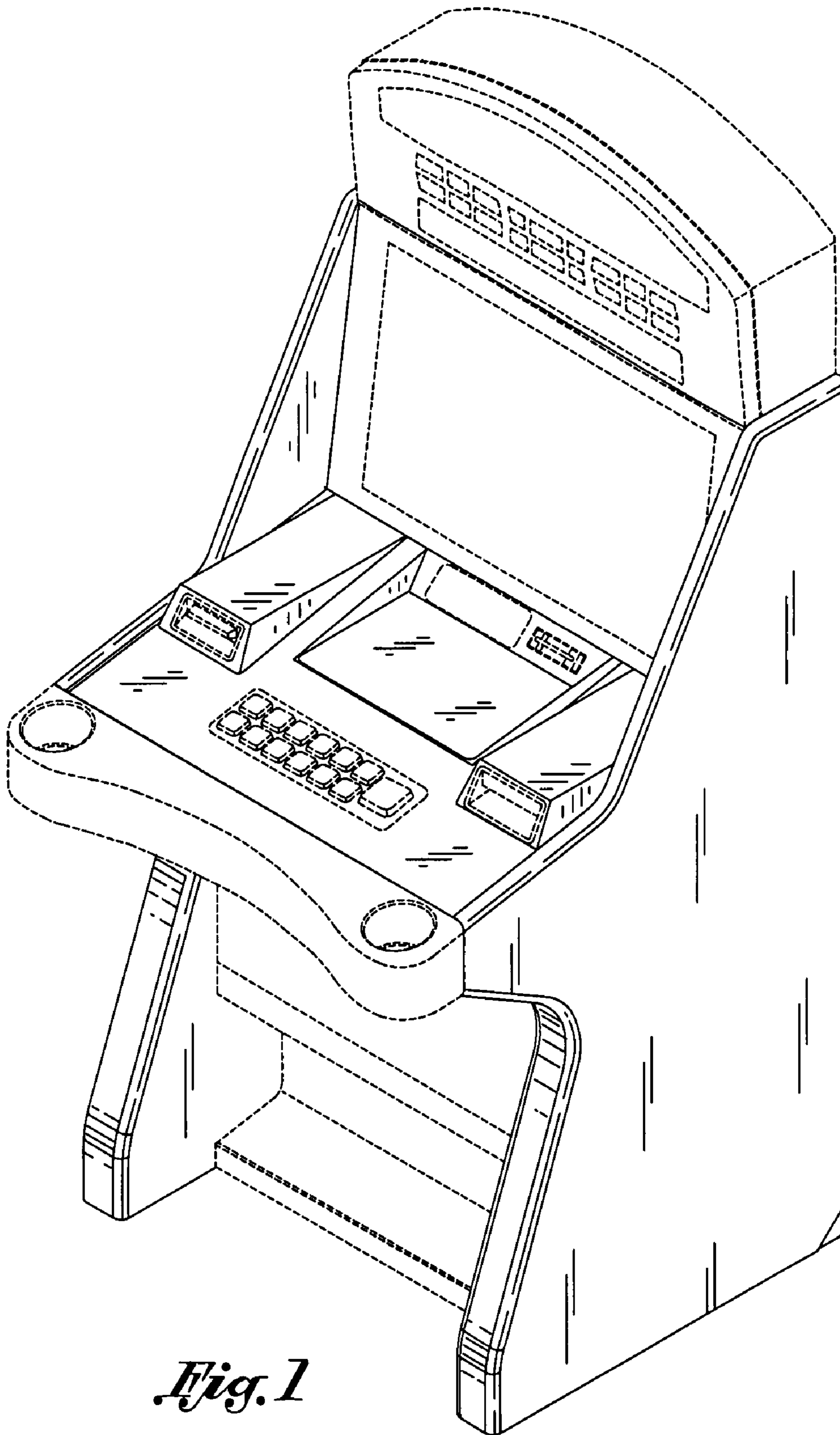
FIG. 5 is a back view of the slant top gaming machine of FIG. 1; and,

FIG. 6 is a bottom view of the slant top gaming machine of FIG. 1.

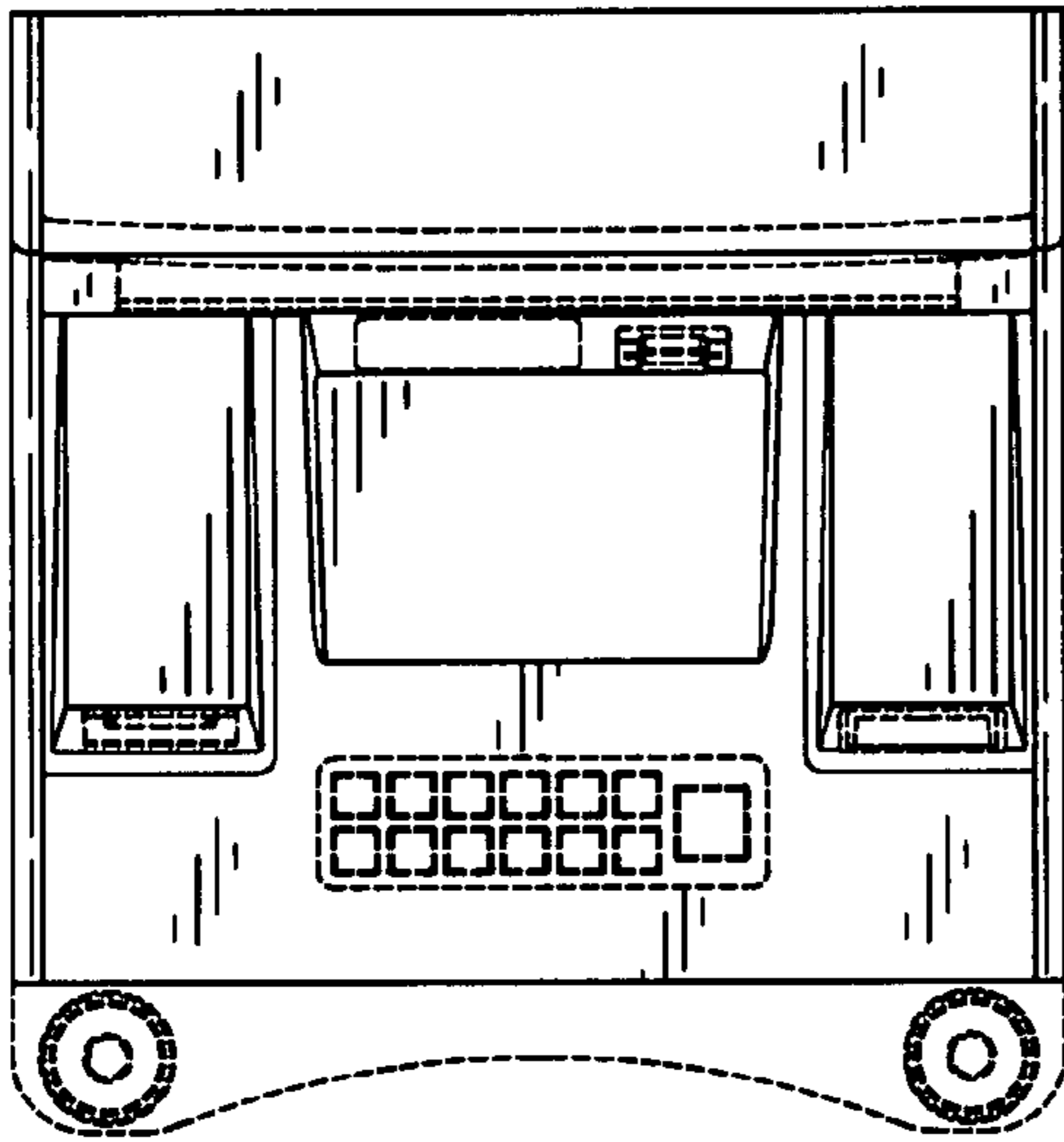
The portion of the figures shown in dotted lines represent gaming machine components and forms no portion of the claimed design.

**1 Claim, 3 Drawing Sheets**

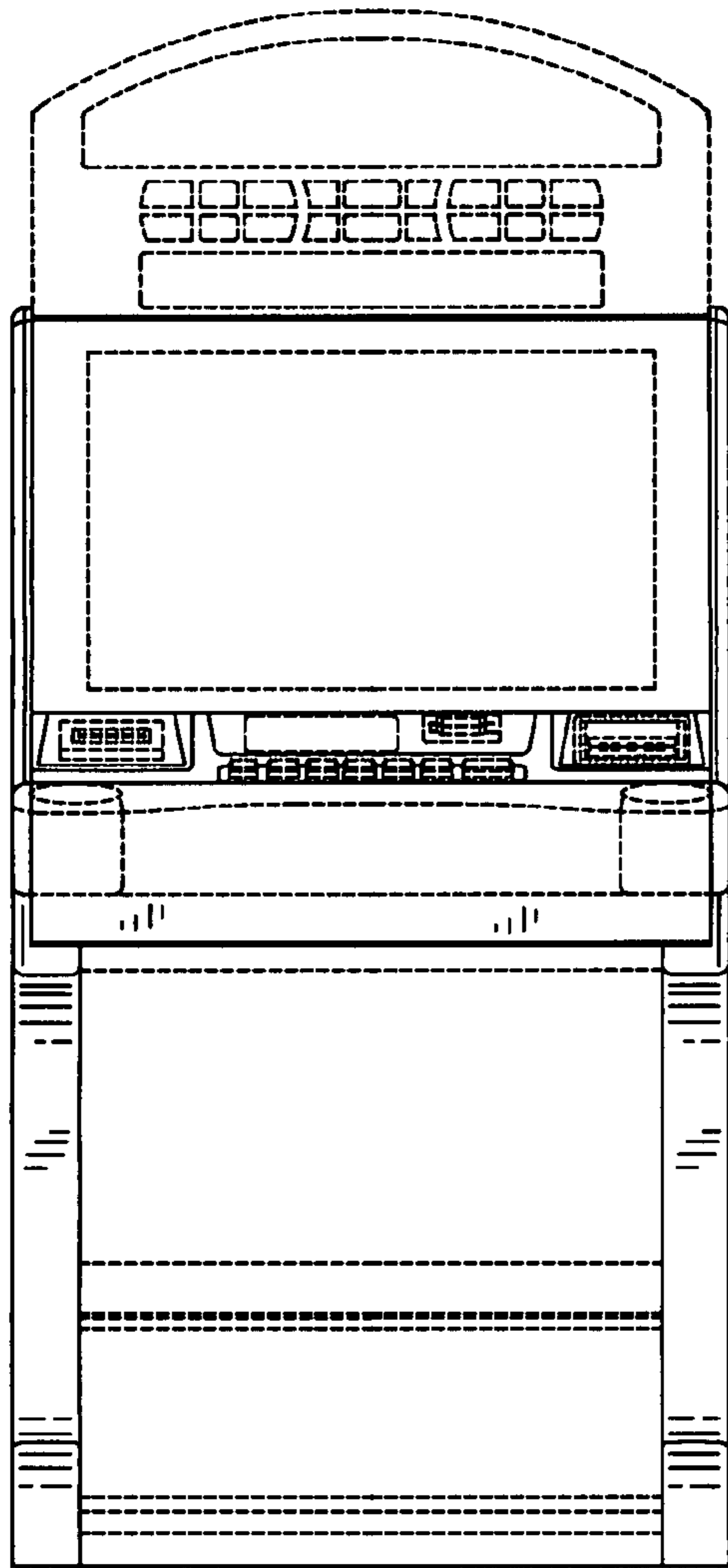




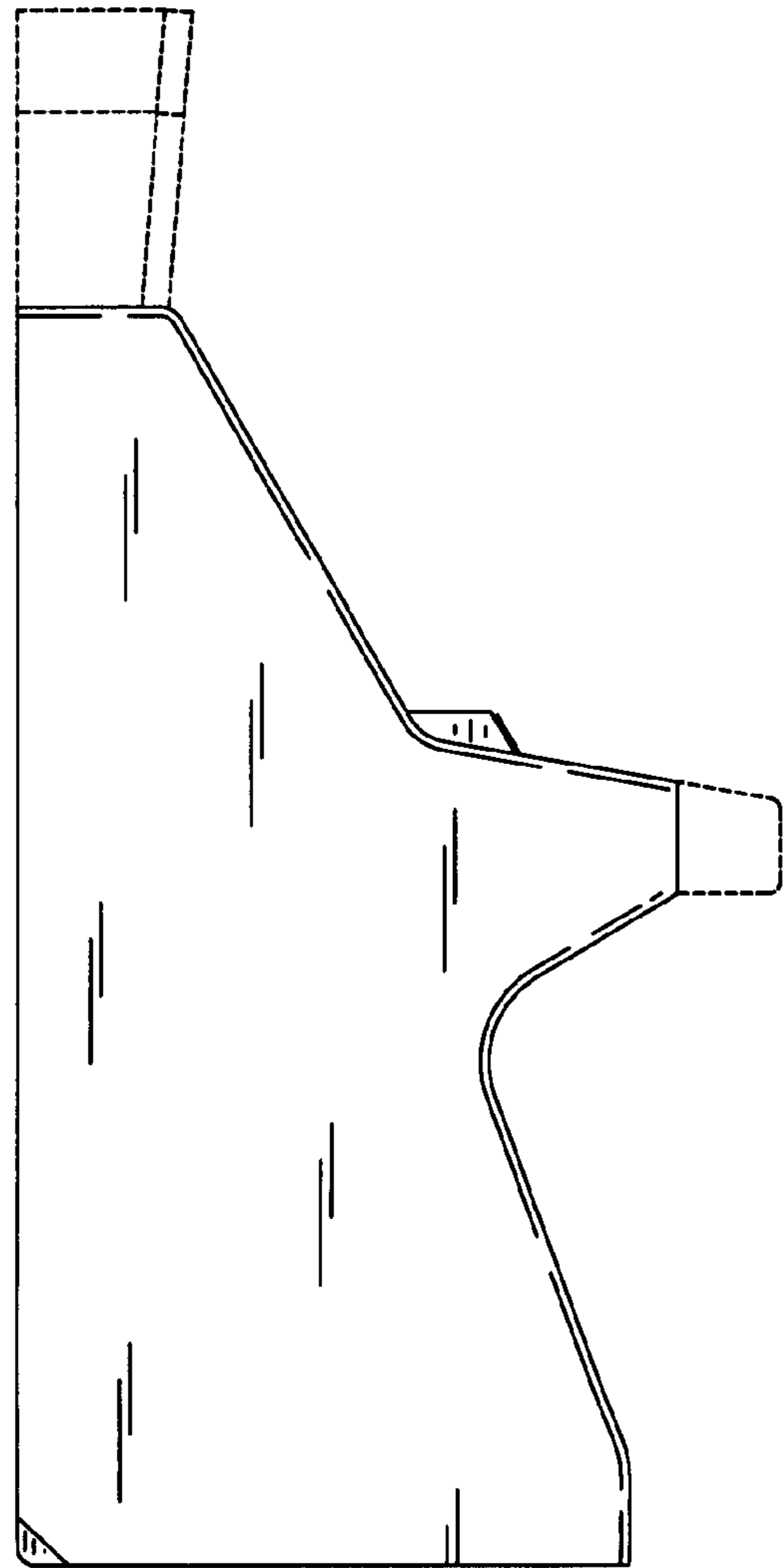
*Fig. 1*



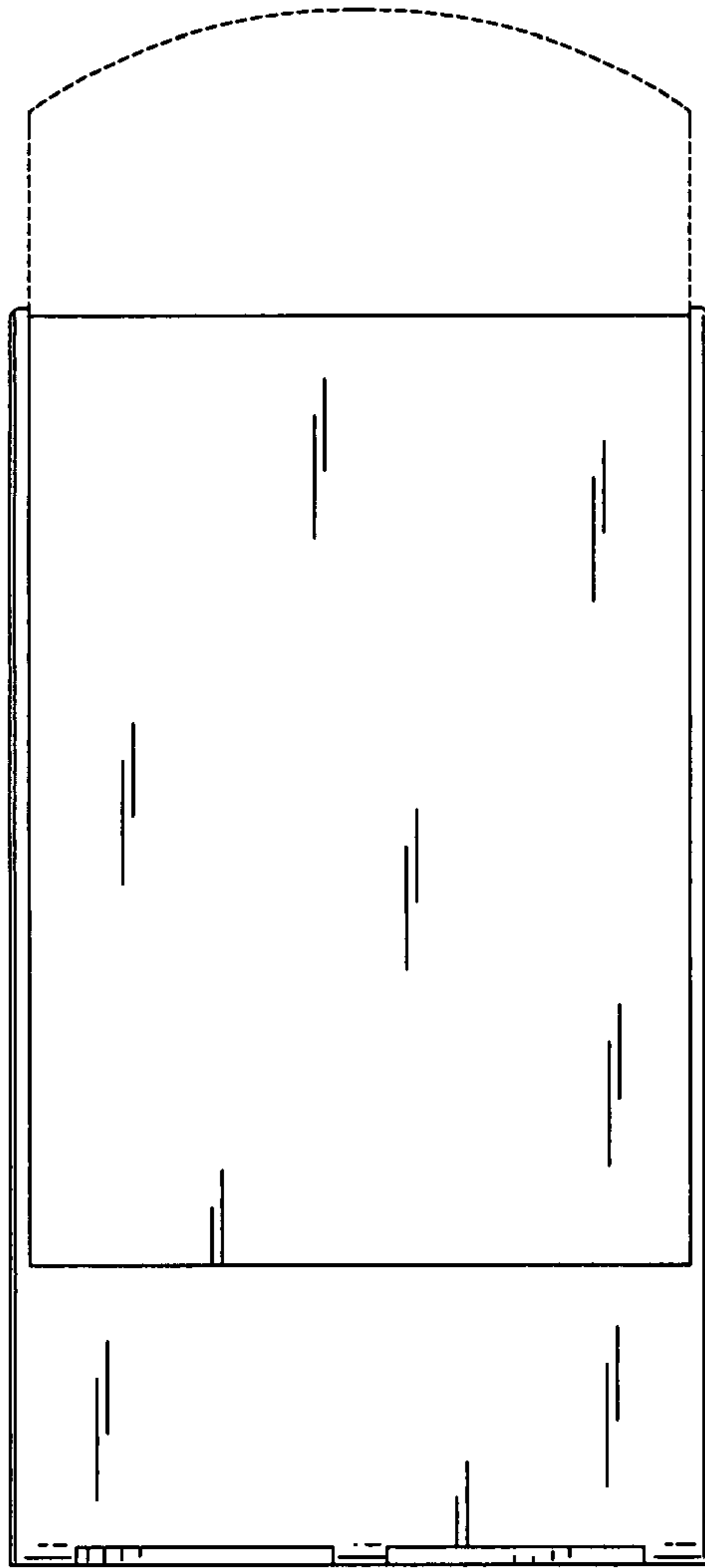
*Fig. 2*



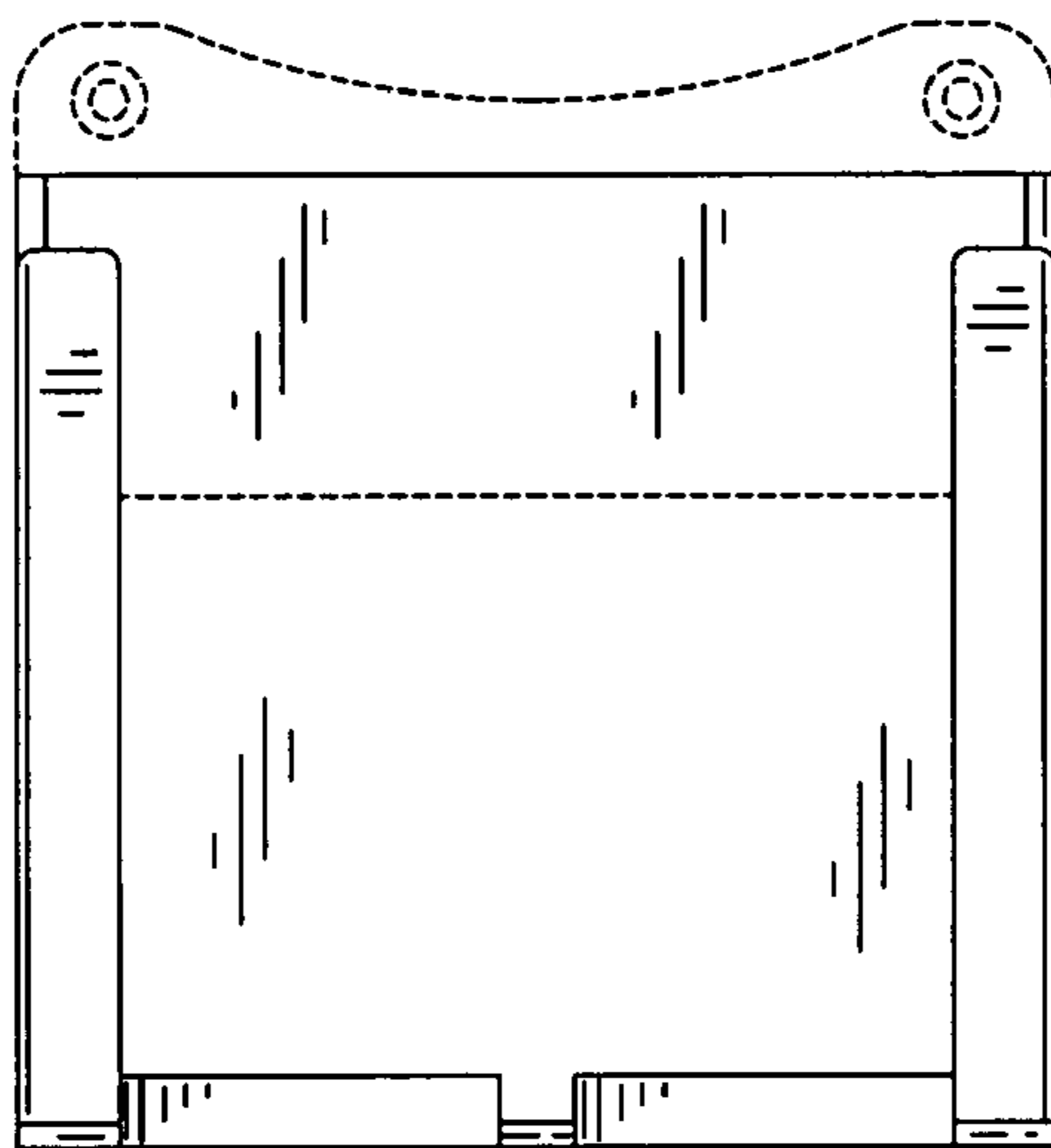
*Fig. 3*



*Fig. 4*



*Fig. 5*



*Fig. 6*