



US00D559916S

(12) **United States Design Patent**
Sakai

(10) **Patent No.:** **US D559,916 S**
(45) **Date of Patent:** **** Jan. 15, 2008**

(54) **MUSIC GAME CONTROL DEVICE**

(75) Inventor: **Masato Sakai**, Marina Del Rey, CA
(US)

(73) Assignee: **Konami Digital Entertainment Co., Ltd.**, Tokyo (JP)

(**) Term: **14 Years**

(21) Appl. No.: **29/278,662**

(22) Filed: **Apr. 5, 2007**

Related U.S. Application Data

(62) Division of application No. 29/230,104, filed on May 16, 2005.

(51) **LOC (8) Cl.** **21-01**

(52) **U.S. Cl.** **D21/324; D14/400**

(58) **Field of Classification Search** D14/356,
D14/388, 399, 400, 432, 454-457, 412-416;
D21/324, 333; 463/1, 30, 36-38, 46-47;
273/148 B, 148 R; 345/156-161, 905
See application file for complete search history.

(56) **References Cited**

U.S. PATENT DOCUMENTS

5,150,899 A * 9/1992 Kitaue 463/2
D346,152 S * 4/1994 Zaugg D14/218

D416,909 S * 11/1999 Renk D14/218
D430,617 S * 9/2000 Shimoide D21/324
D529,467 S * 10/2006 Rose et al. D14/138
2005/0001821 A1 * 1/2005 Low 345/169
2005/0156897 A1 * 7/2005 Suzuki 345/169

* cited by examiner

Primary Examiner—Stella M. Reid
Assistant Examiner—Keli' L. Acker

(74) *Attorney, Agent, or Firm*—Townsend and Townsend
and Crew LLP

(57) **CLAIM**

The ornamental design for a music game control device, as shown and described.

DESCRIPTION

FIG. 1 is a perspective view of a music game control device, showing my new design;

FIG. 2 is a top plan view thereof;

FIG. 3 is a front elevational view thereof;

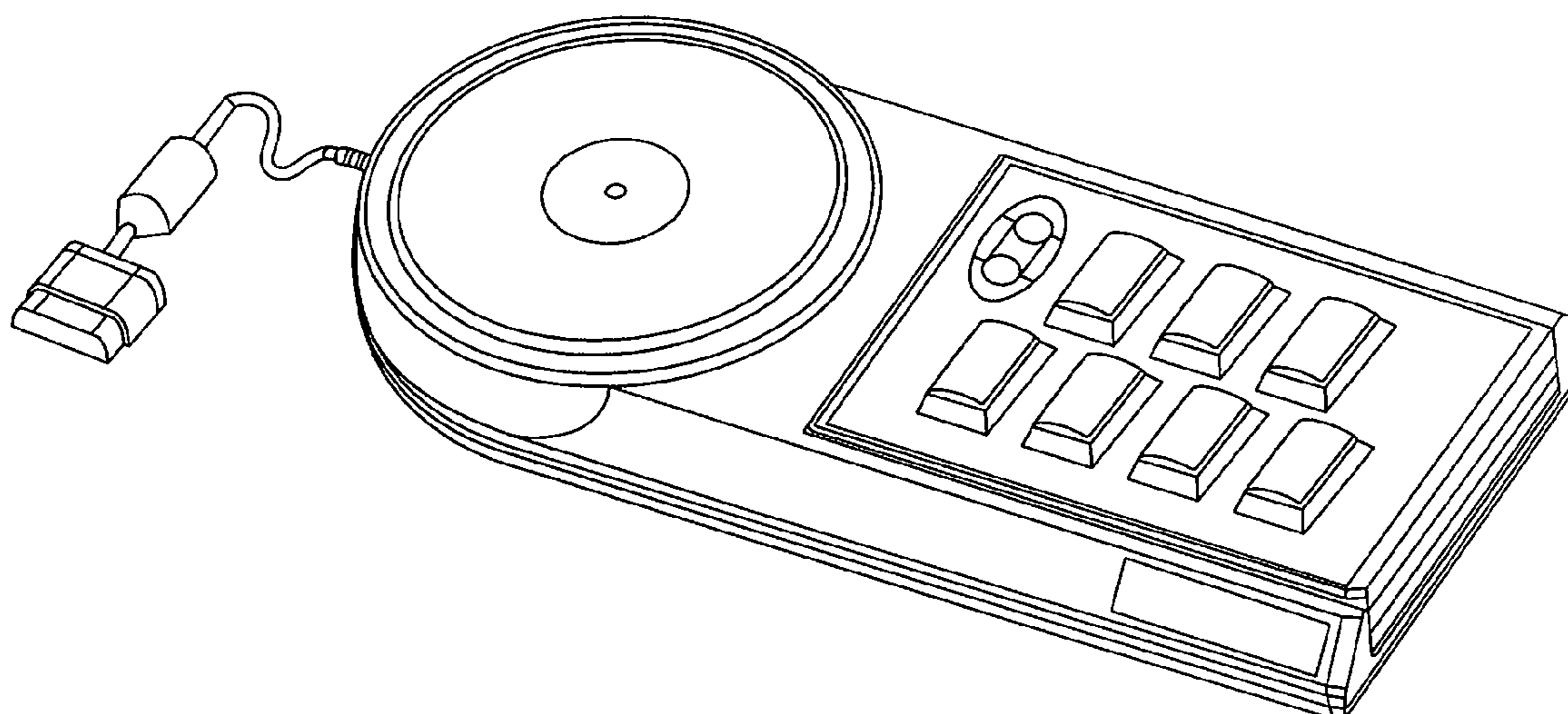
FIG. 4 is a right side elevational view thereof;

FIG. 5 is a rear elevational view thereof;

FIG. 6 is a bottom plan view thereof; and,

FIG. 7 is a left side elevational view thereof.

1 Claim, 3 Drawing Sheets



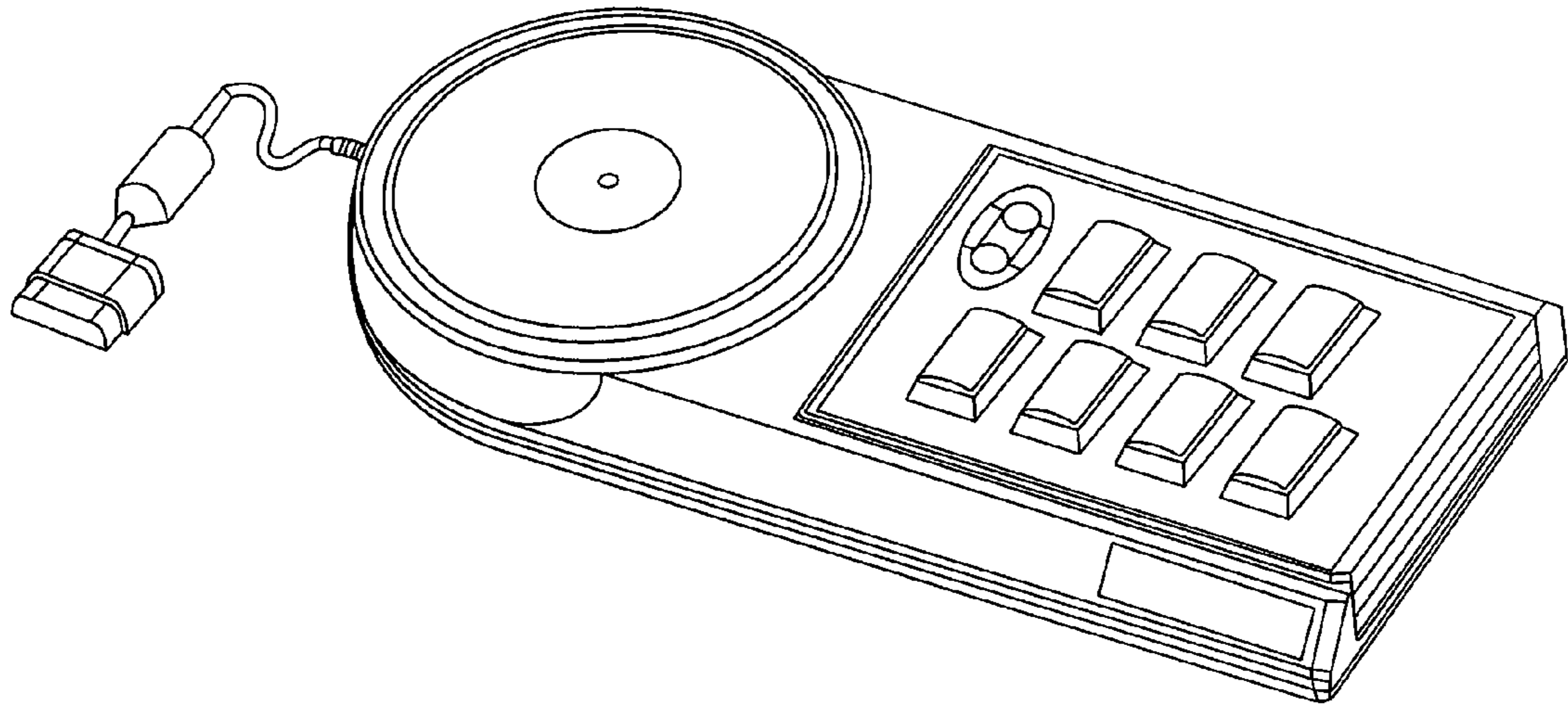


FIG. 1

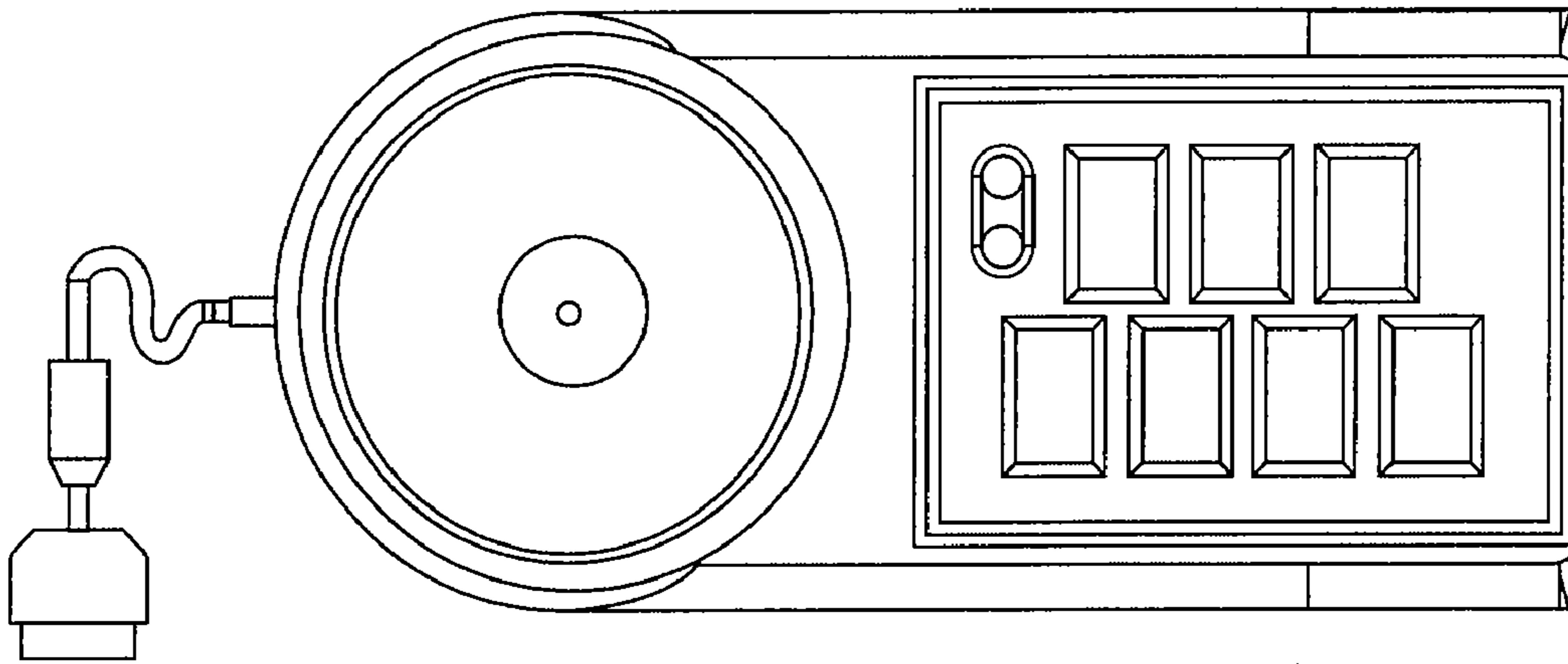


FIG. 2

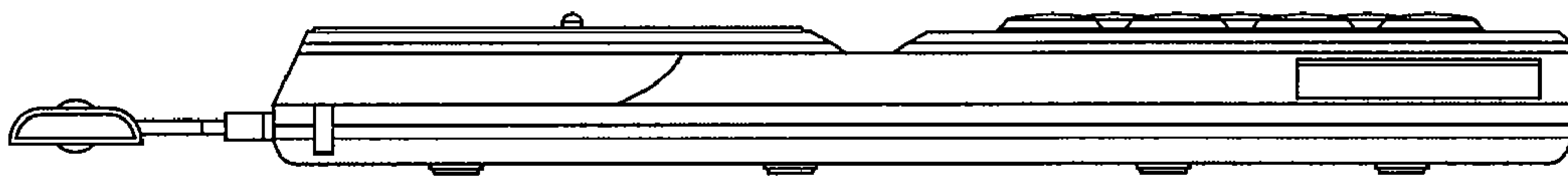


FIG. 3

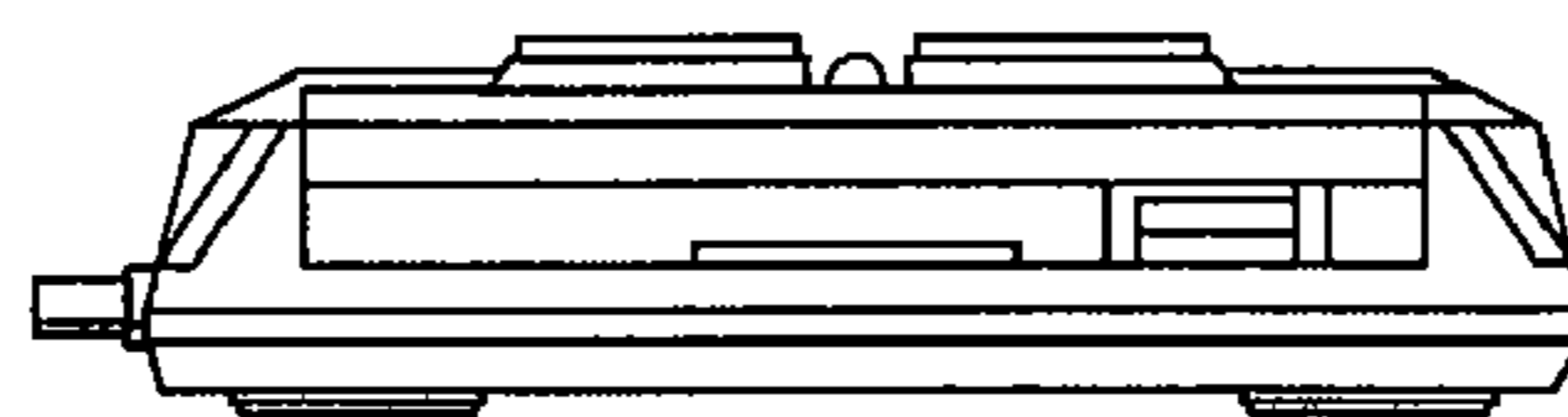


FIG. 4

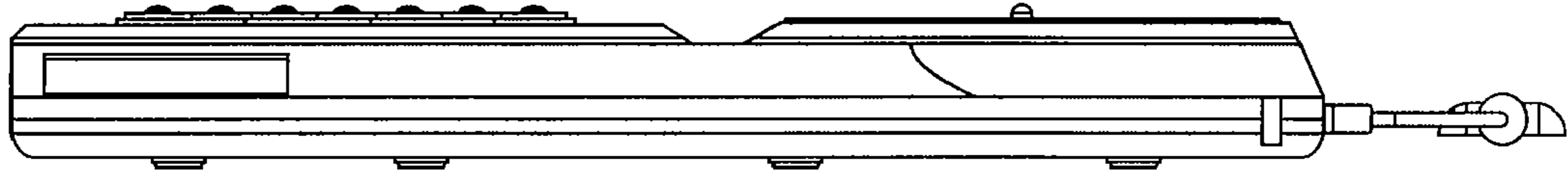


FIG. 5

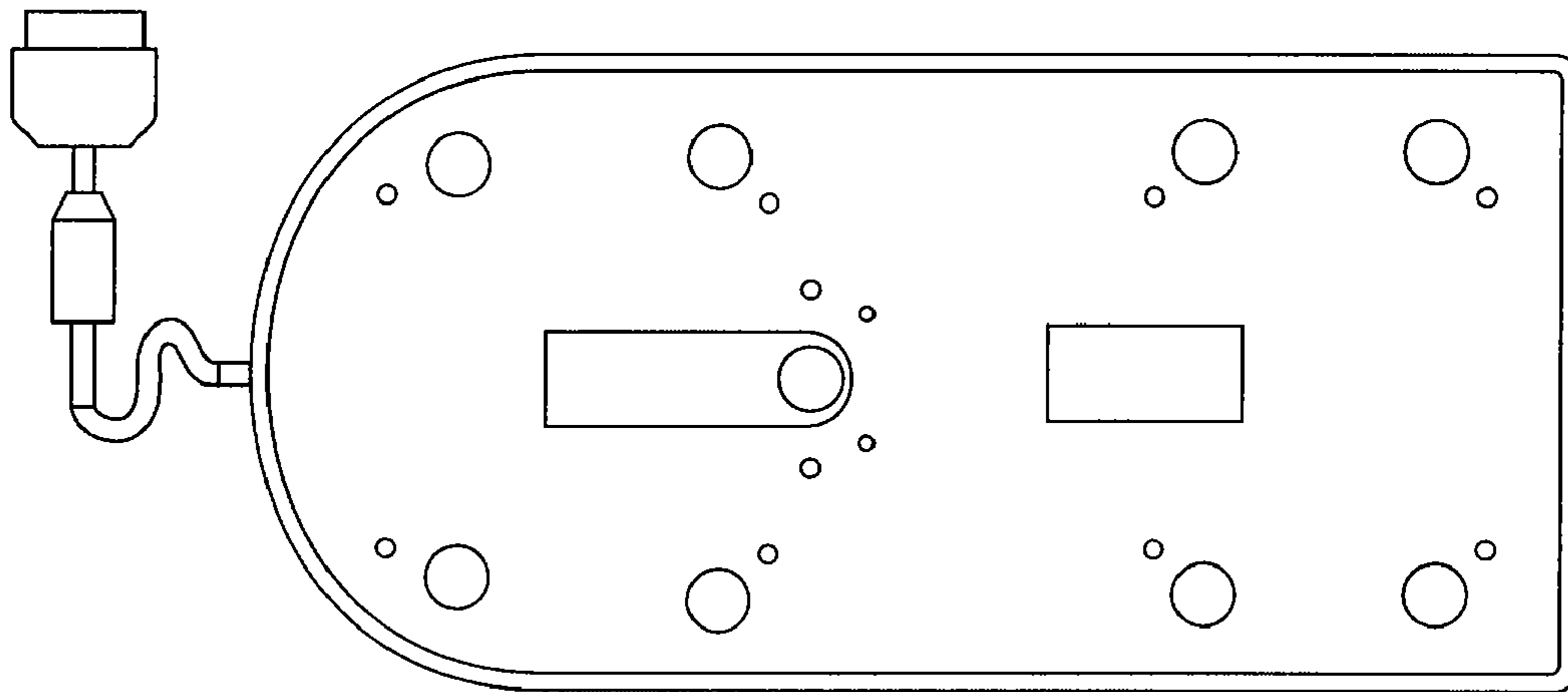


FIG. 6

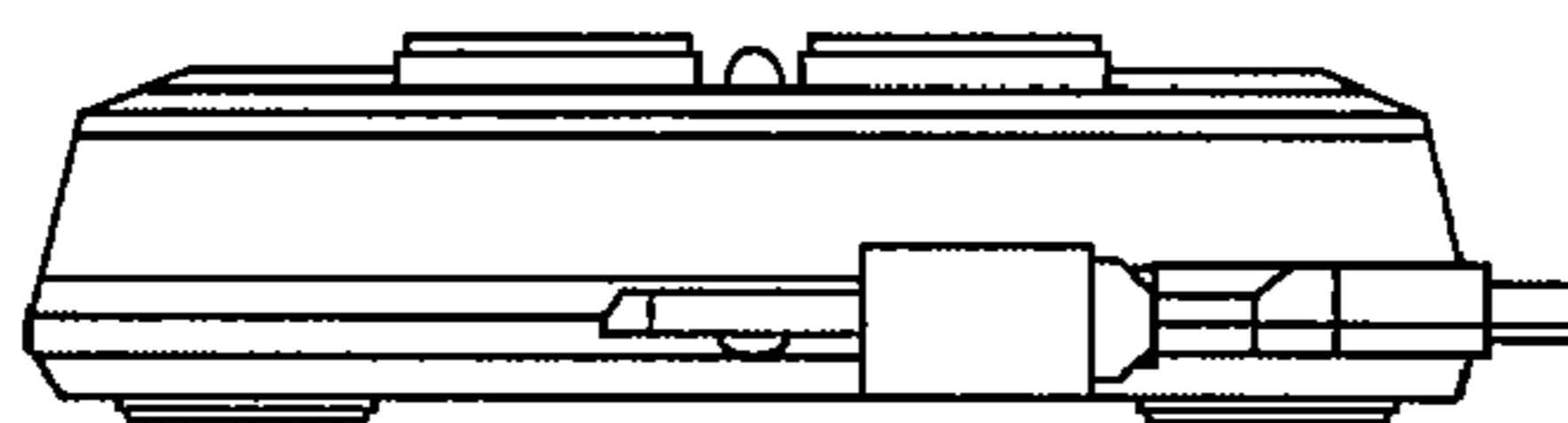


FIG. 7