



US00D559902S

(12) **United States Design Patent**
Park et al.

(10) **Patent No.: US D559,902 S**
(45) **Date of Patent: ** Jan. 15, 2008**

(54) **CONTAINER FOR TONER FOR PRINTER**

(75) Inventors: **Gyeong Sun Park**, Seoul (KR); **Yu Gi Hong**, Suwon (KR); **Bong Uk Lim**, Gyeonggi-Do (KR)

(73) Assignee: **Samsung Electronics Co., Ltd.**, Suwon (KR)

(**) Term: **14 Years**

(21) Appl. No.: **29/267,250**

(22) Filed: **Oct. 10, 2006**

(51) **LOC (8) Cl.** **18-02**

(52) **U.S. Cl.** **D18/56**

(58) **Field of Classification Search** D18/43,
D18/56; 347/29, 50, 85-87
See application file for complete search history.

(56) **References Cited**

U.S. PATENT DOCUMENTS

5,091,750	A *	2/1992	Yoshida et al.	D18/43
D330,215	S *	10/1992	Saito et al.	D18/43
D332,280	S *	1/1993	Yoshida et al.	D18/43
D374,249	S *	10/1996	Isomoto et al.	D18/43
D431,260	S *	9/2000	Kohno et al.	D18/43
D451,949	S *	12/2001	Aritomo et al.	D18/43
D502,731	S *	3/2005	Yamada	D18/43

6,966,624	B2 *	11/2005	Takahashi et al.	347/29
D538,850	S *	3/2007	Choi et al.	D18/56
D546,874	S *	7/2007	Hakukawa	D18/43
2005/0151810	A1 *	7/2005	Graham et al.	347/86

* cited by examiner

Primary Examiner—Cathy Anne MacCormac

(57) **CLAIM**

We claim the ornamental design for a container for a toner for printer, as shown.

DESCRIPTION

FIG. 1 is a perspective view as seen from the top, front, and left side of a container for toner for printer showing our new design;

FIG. 2 is a left side elevational view thereof;

FIG. 3 is a right side elevational view thereof;

FIG. 4 is a rear elevational view thereof;

FIG. 5 is a front elevational view thereof;

FIG. 6 is a top plan view thereof;

FIG. 7 is a bottom plan view thereof; and,

FIG. 8 is a perspective view thereof as seen from the top, front, and right side.

1 Claim, 6 Drawing Sheets

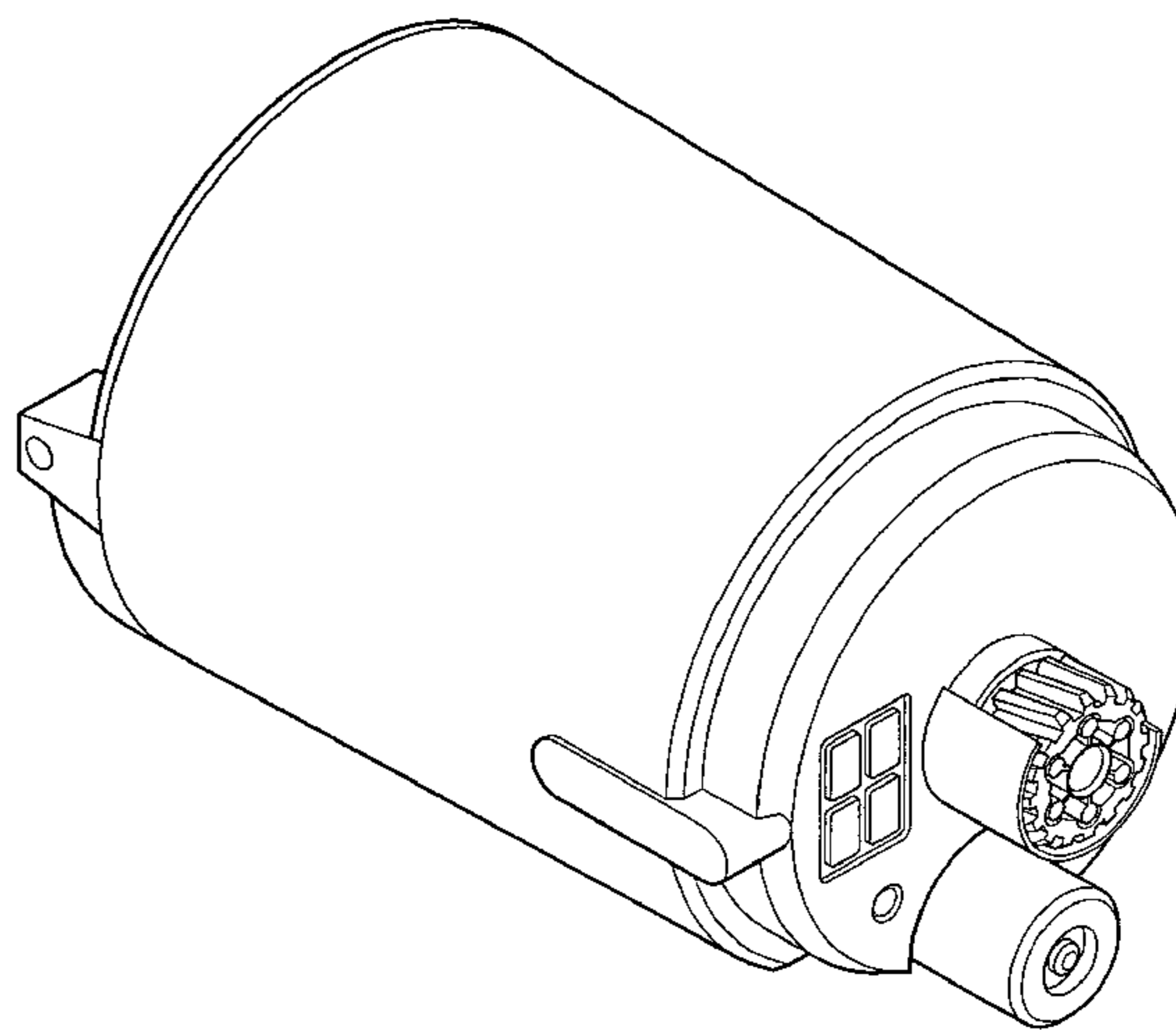
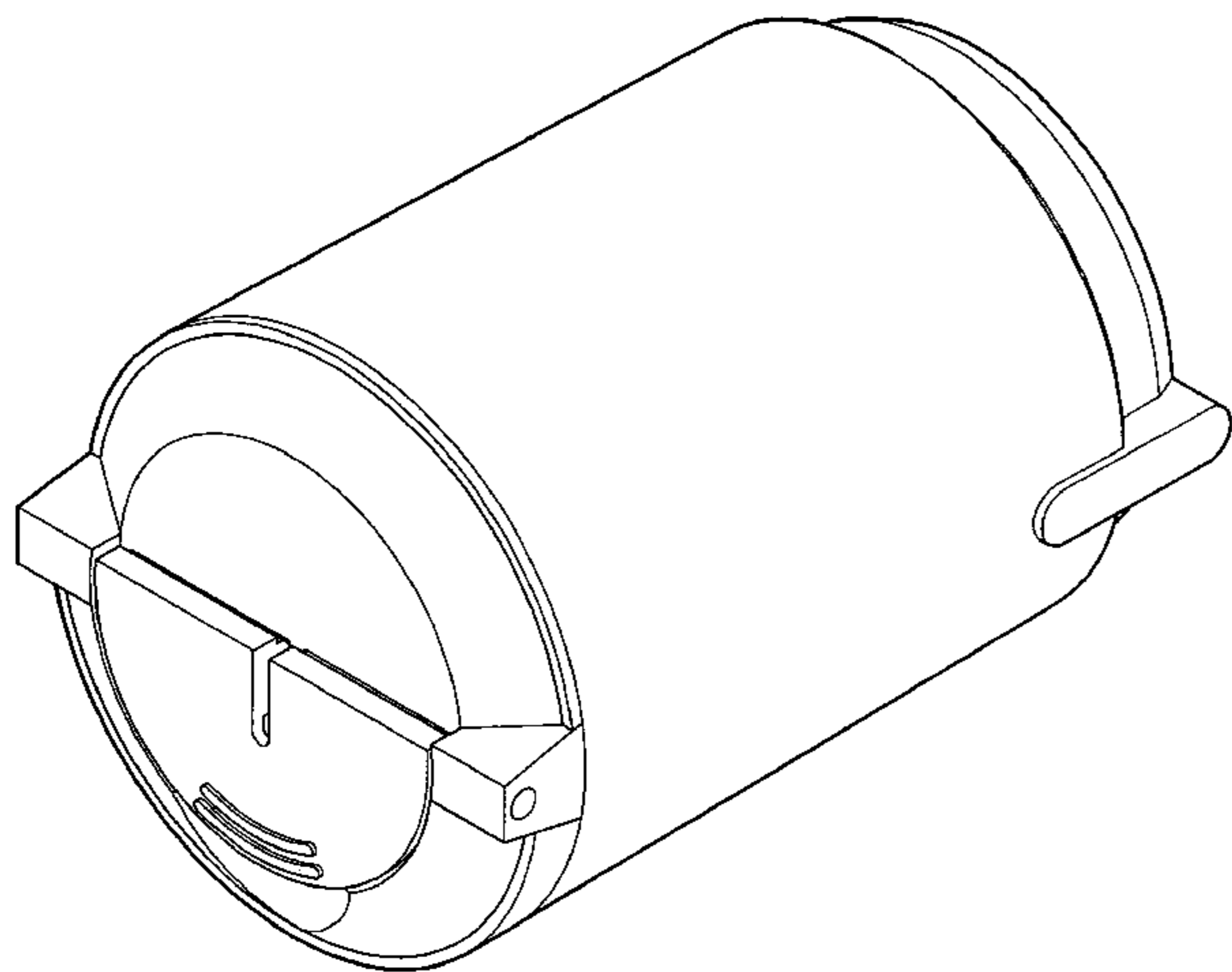


FIG. 1

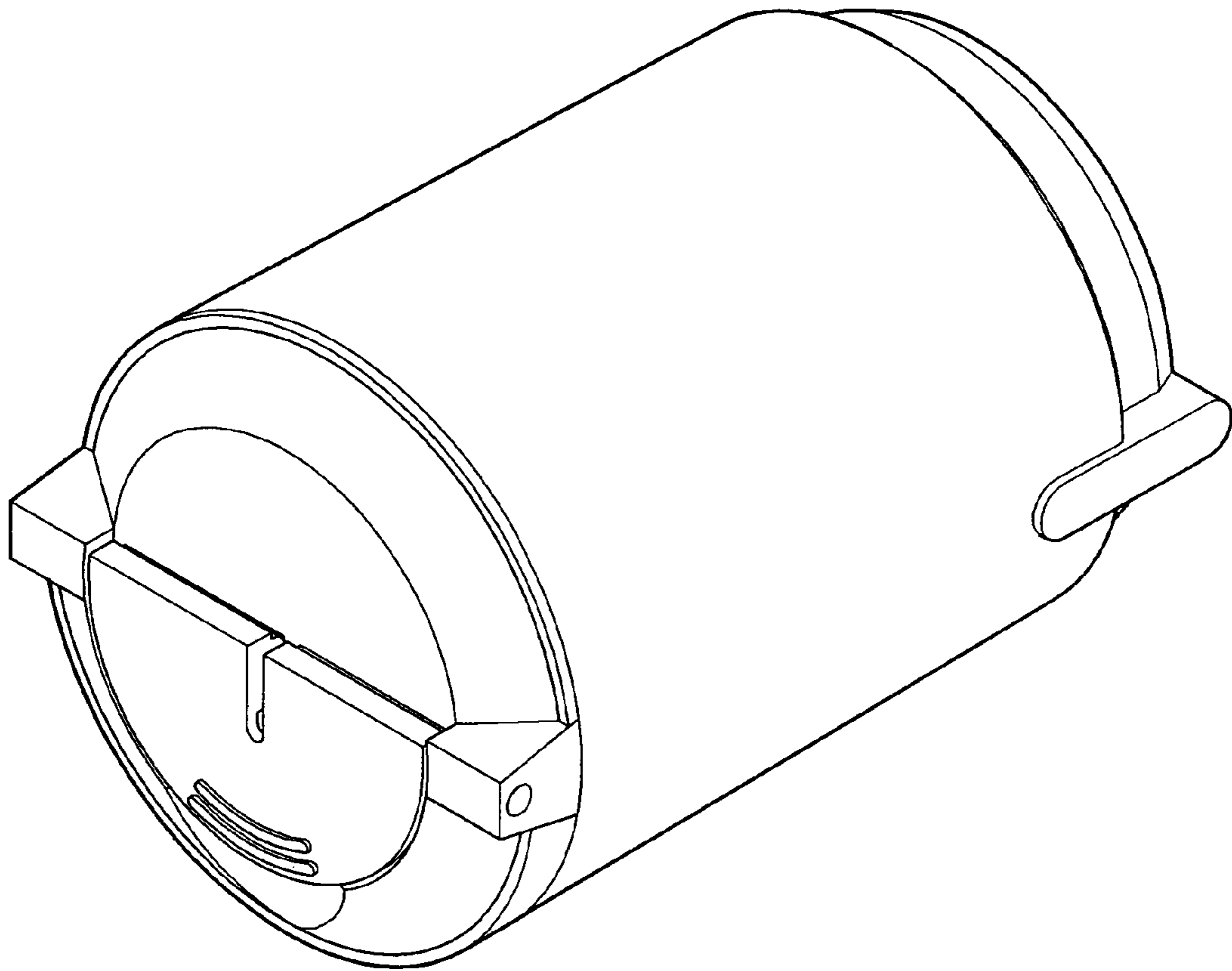


FIG. 2

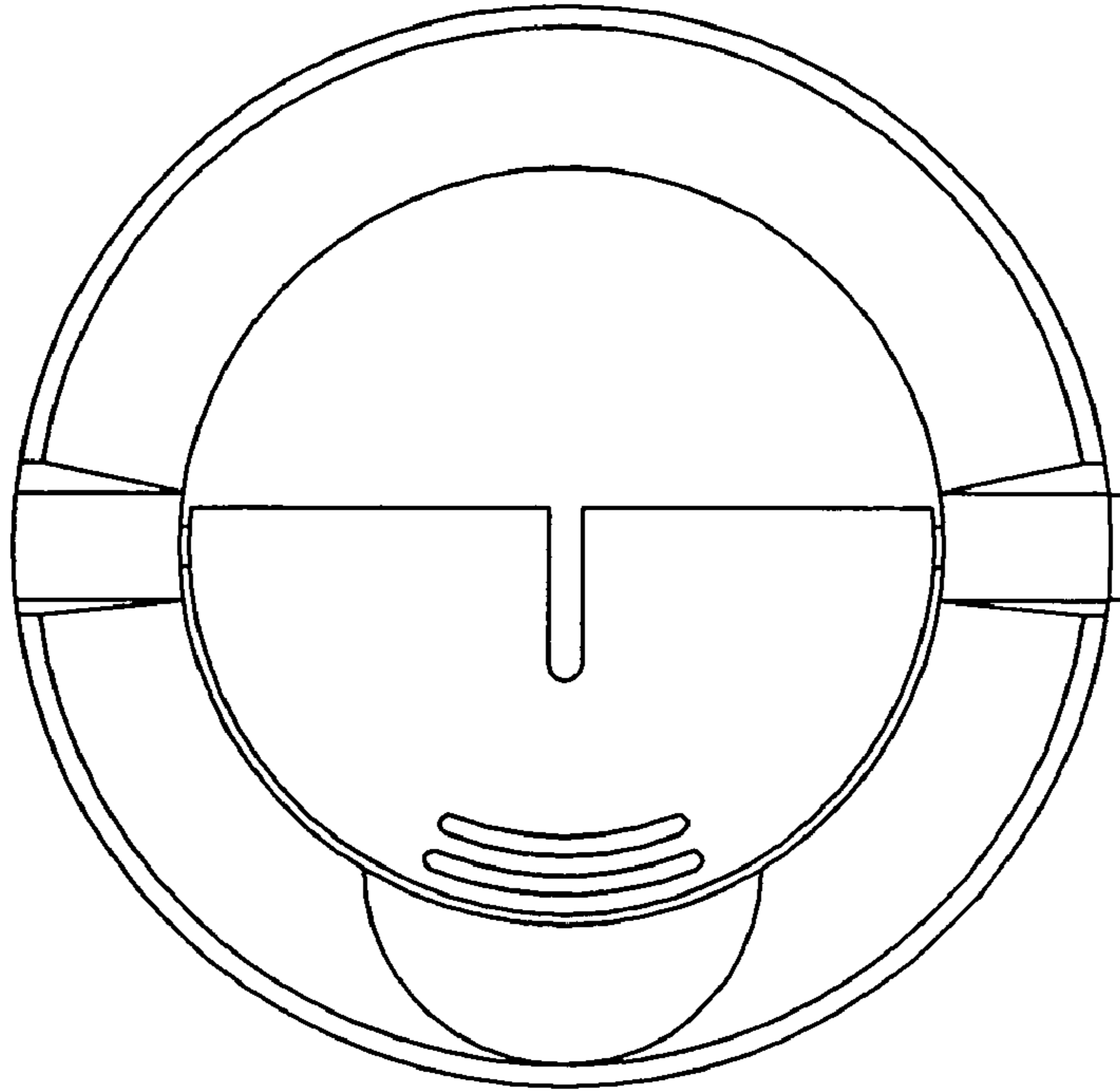


FIG. 3

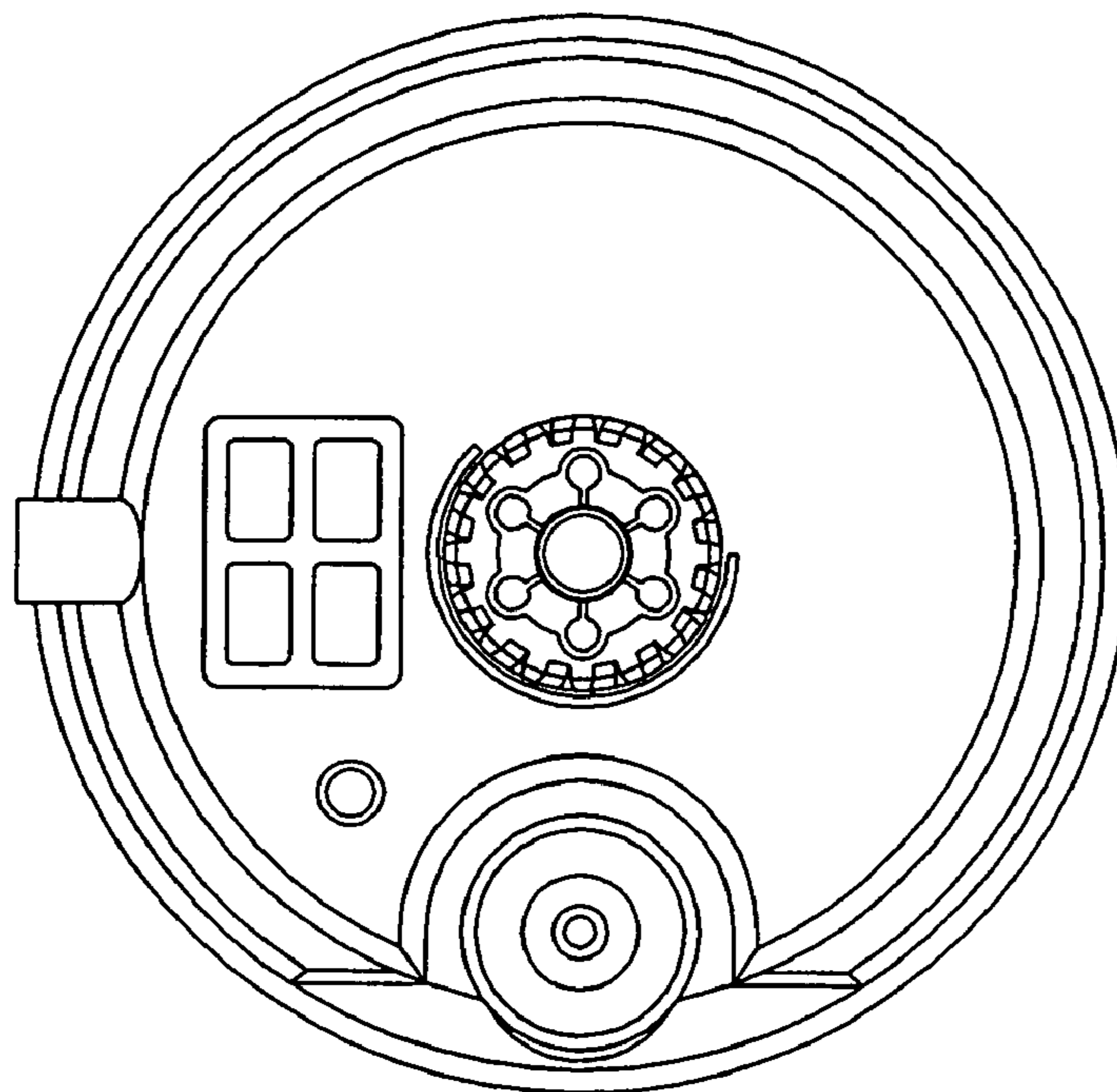


FIG. 4

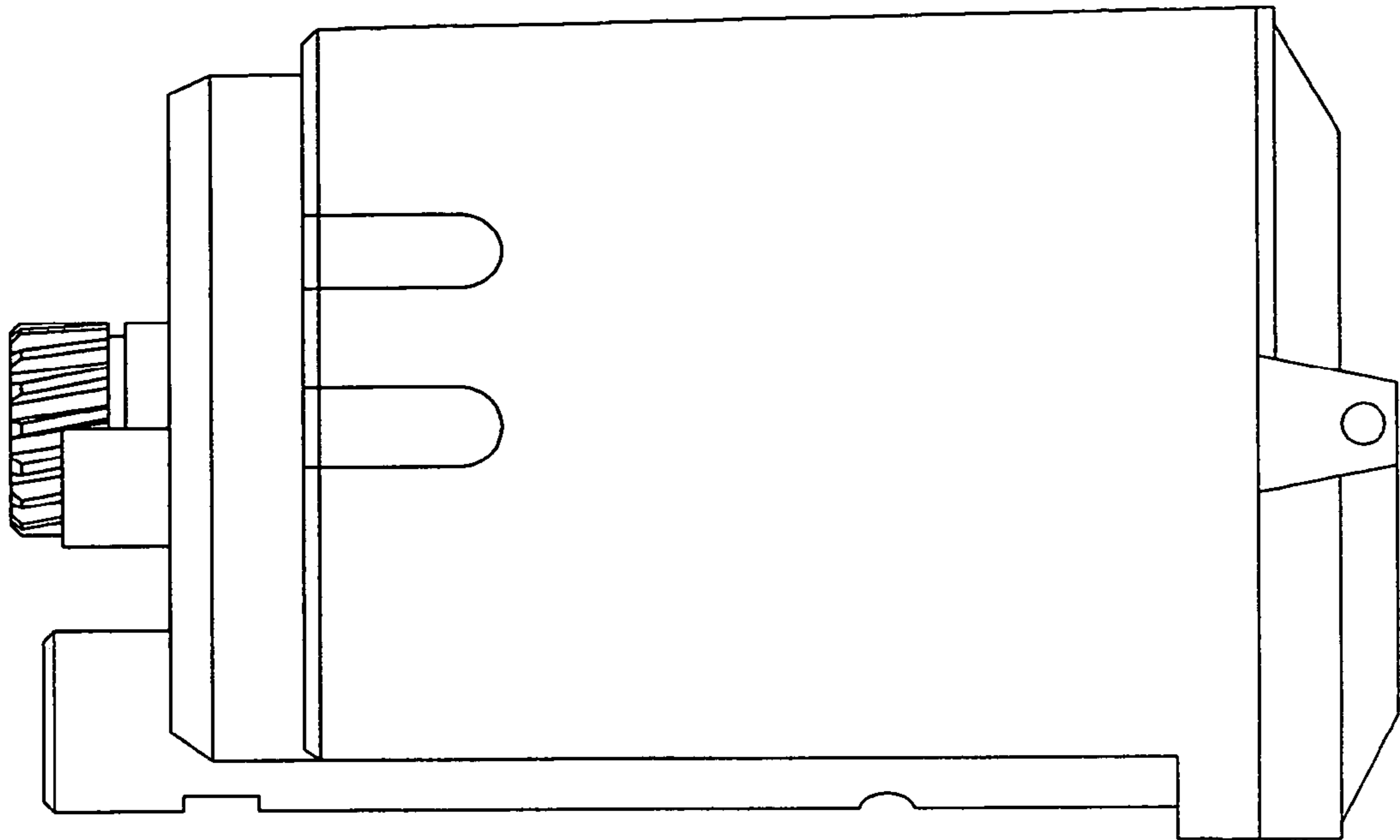


FIG. 5

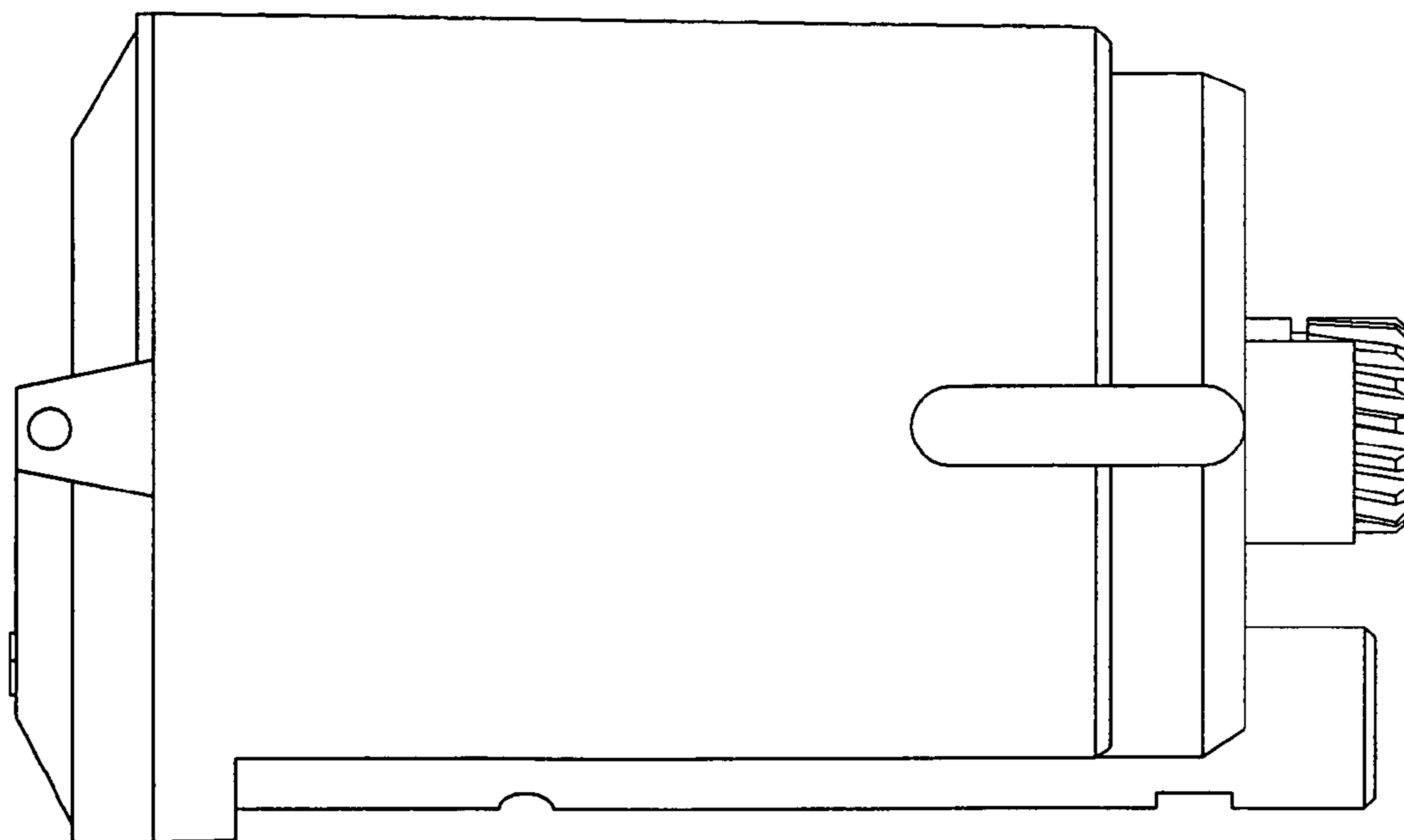


FIG. 6

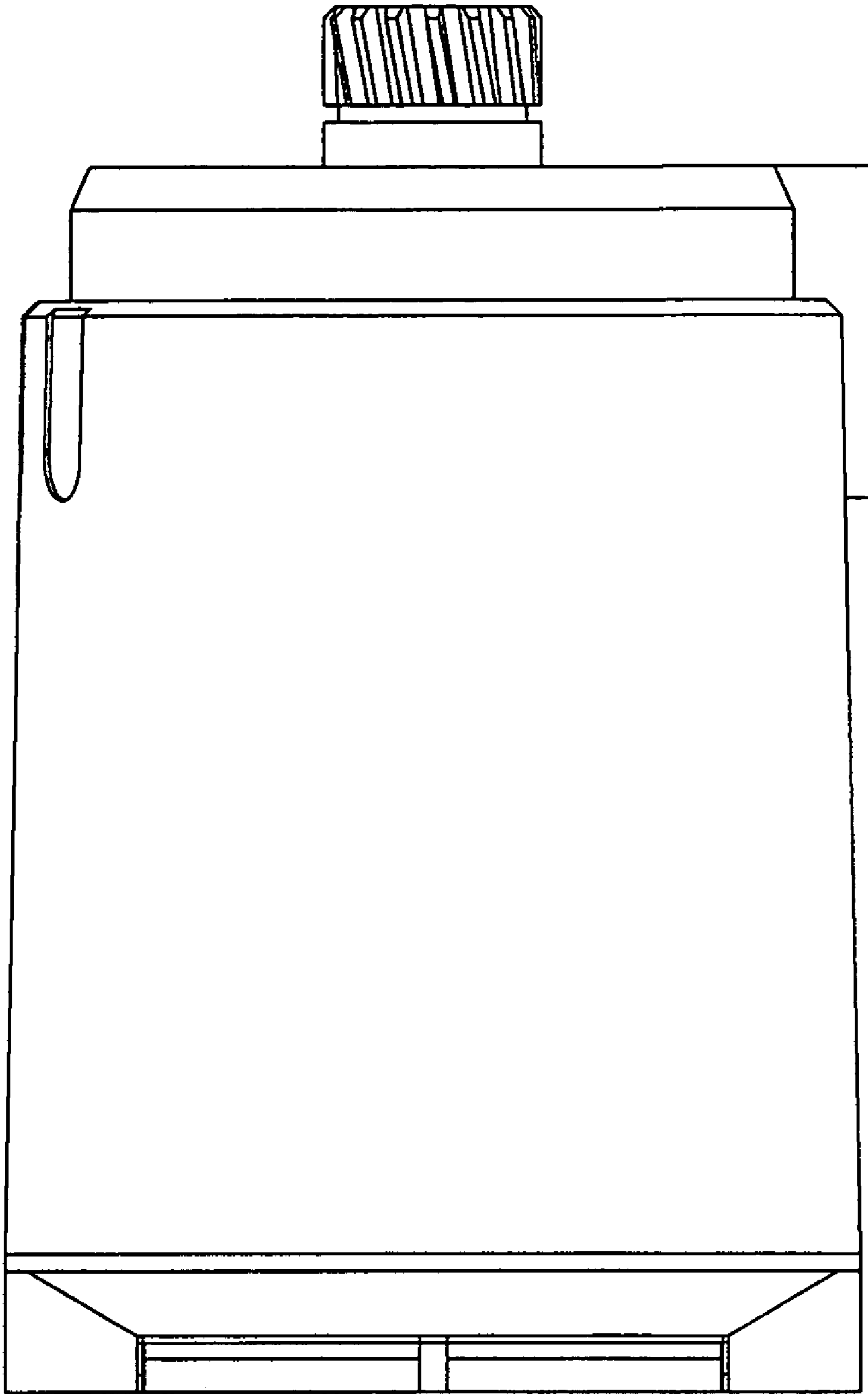


FIG. 7

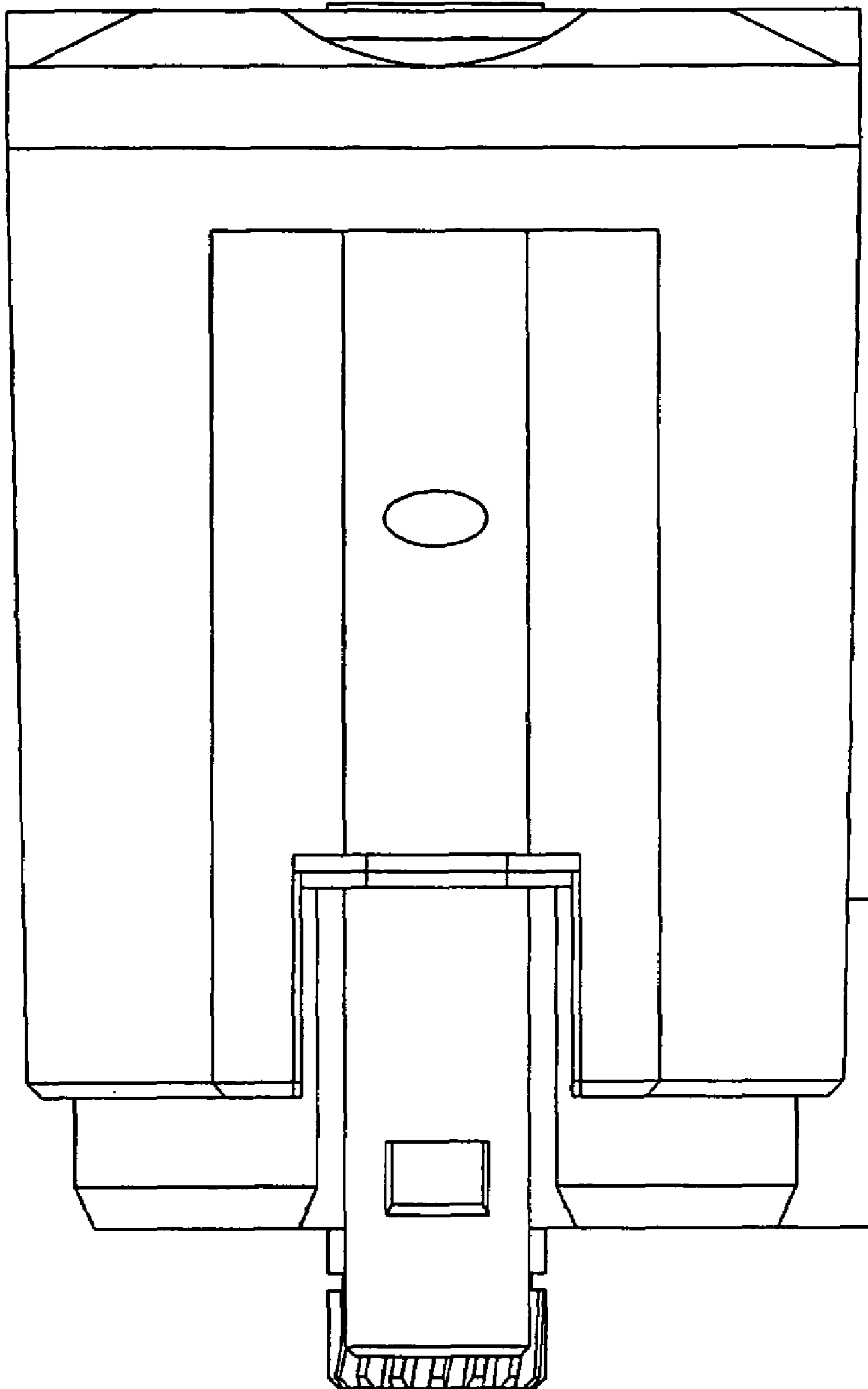
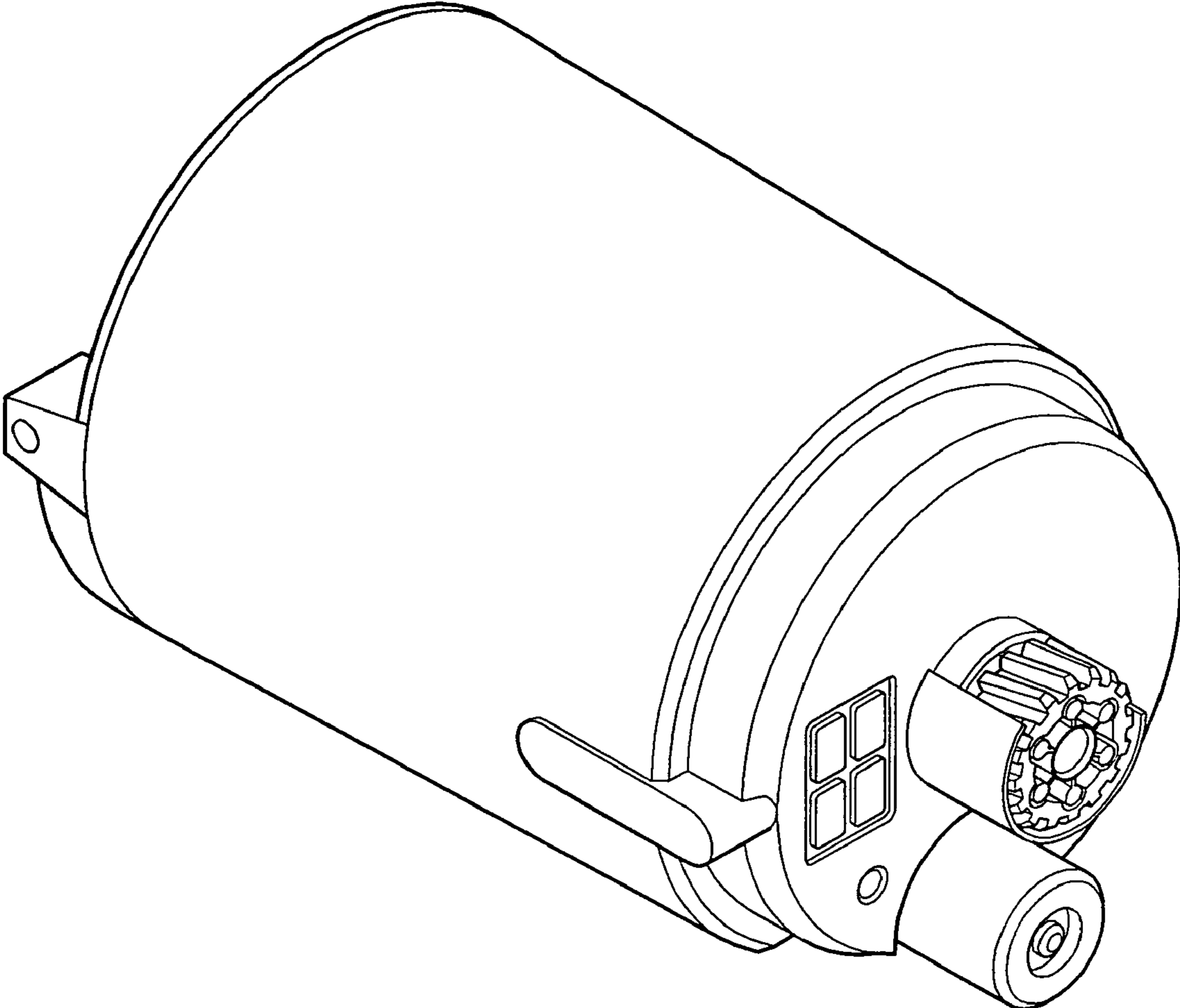


FIG. 8



UNITED STATES PATENT AND TRADEMARK OFFICE
CERTIFICATE OF CORRECTION

PATENT NO. : Des. 559,902 S
APPLICATION NO. : 29/267250
DATED : January 15, 2008
INVENTOR(S) : Gyeong Sun Park et al.

Page 1 of 1

It is certified that error appears in the above-identified patent and that said Letters Patent is hereby corrected as shown below:

On title page, item 75, "Yu" should read -- Yun --.

Signed and Sealed this

Sixth Day of May, 2008

A handwritten signature in black ink that reads "Jon W. Dudas". The signature is written in a cursive style with a large, looped initial "J".

JON W. DUDAS
Director of the United States Patent and Trademark Office