



US00D559901S

(12) **United States Design Patent**
Korn et al.

(10) **Patent No.:** **US D559,901 S**
(45) **Date of Patent:** **** Jan. 15, 2008**

(54) **INK STICK FOR A PHASE CHANGE INK
JET PRINTER**

(75) Inventors: **Scott J Korn**, Portland, OR (US);
Brent Rodney Jones, Sherwood, OR
(US)

(73) Assignee: **Xerox Corporation**, Norwalk, CT (US)

(**) Term: **14 Years**

(21) Appl. No.: **29/249,032**

(22) Filed: **Sep. 15, 2006**

(51) **LOC (8) Cl.** **18-02**

(52) **U.S. Cl.** **D18/56**

(58) **Field of Classification Search** D18/56;
347/88, 99; 106/31.29, 31.61
See application file for complete search history.

(56) **References Cited**

U.S. PATENT DOCUMENTS

6,672,716	B2 *	1/2004	Jones	347/88
6,722,764	B2 *	4/2004	Jones et al.	347/88
D500,784	S *	1/2005	Jones et al.	D18/56
6,893,121	B2 *	5/2005	Jones	347/88
6,986,570	B2 *	1/2006	Jones et al.	347/88
7,063,412	B2 *	6/2006	Jones et al.	347/88

D529,085	S *	9/2006	Jones et al.	D18/56
2003/0222951	A1 *	12/2003	Jones	347/84
2006/0279616	A1 *	12/2006	Buehler et al.	347/88

* cited by examiner

Primary Examiner—Cathy Anne MacCormac
(74) *Attorney, Agent, or Firm*—Tallam I. Nguti

(57) **CLAIM**

The ornamental design for an ink stick for a phase change ink jet printer, as shown.

DESCRIPTION

FIG. 1 is a perspective view of an ink stick for a phase change ink jet printer illustrating the new design;

FIG. 2 is a front elevational view thereof;

FIG. 3 is a right side elevational view thereof;

FIG. 4 is a rear elevational view thereof;

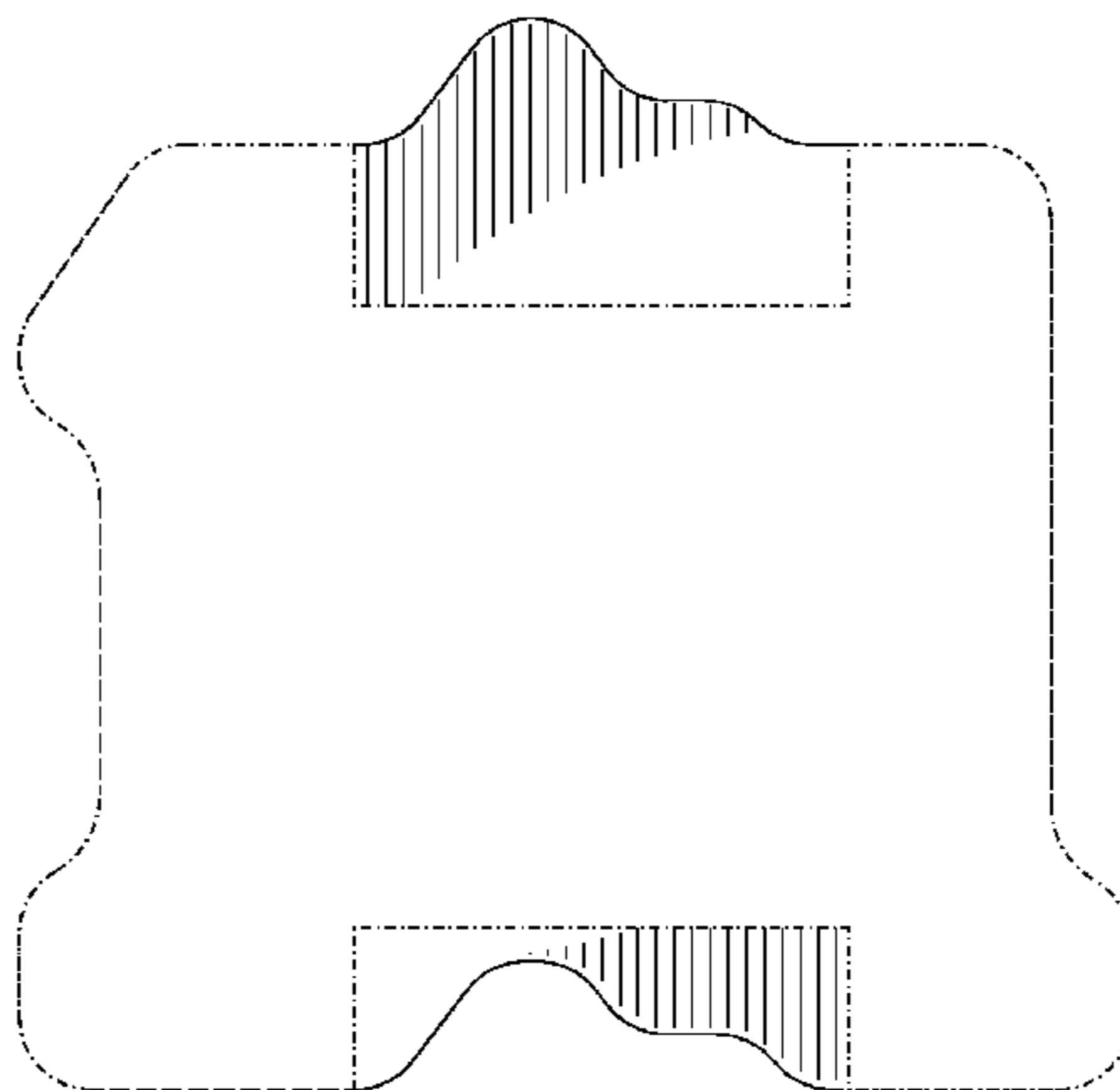
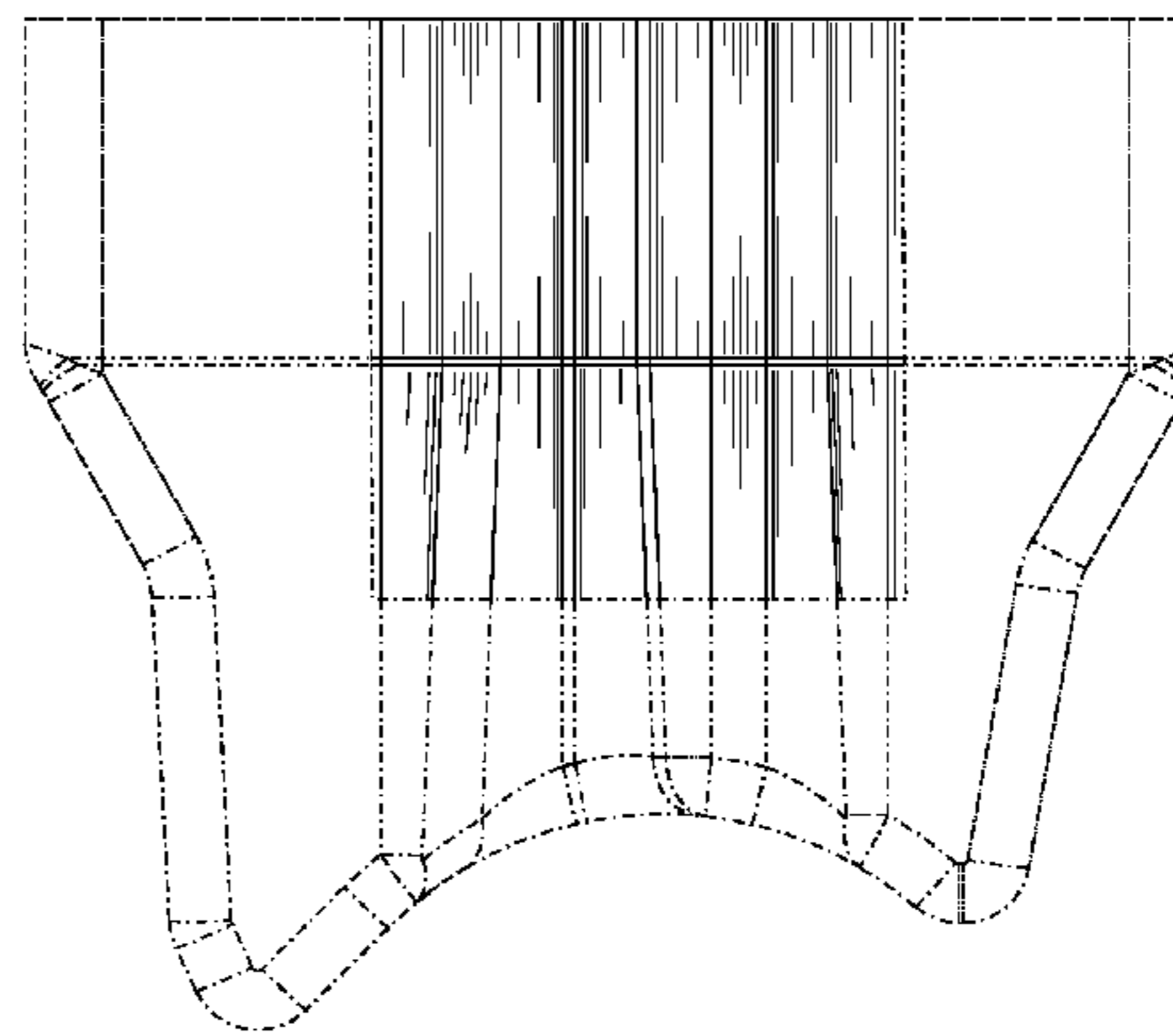
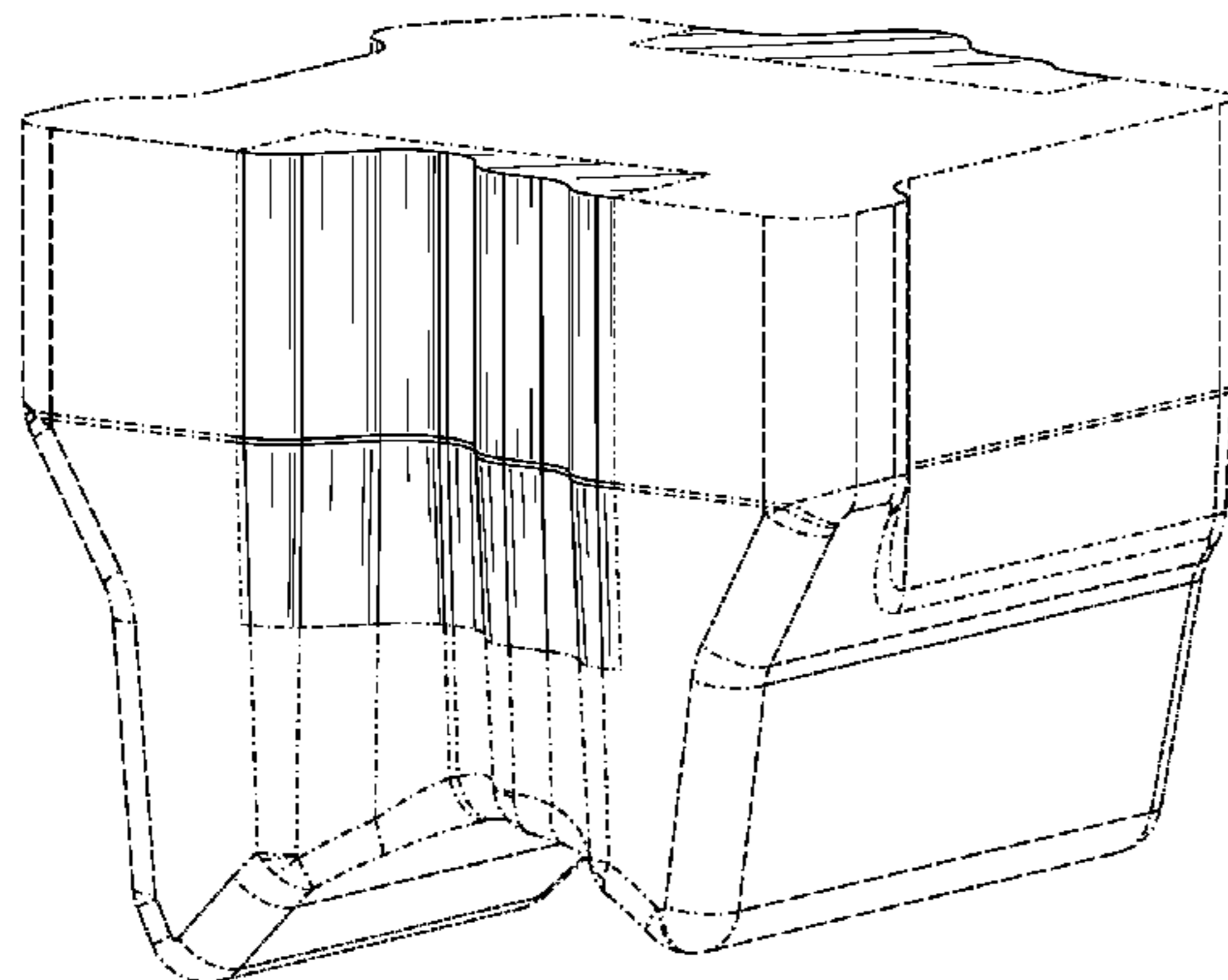
FIG. 5 is a left side elevational view thereof;

FIG. 6 is a top plan view thereof; and,

FIG. 7 is a bottom plan view thereof.

The broken lines are for illustration only and form no part of the claimed design.

1 Claim, 7 Drawing Sheets



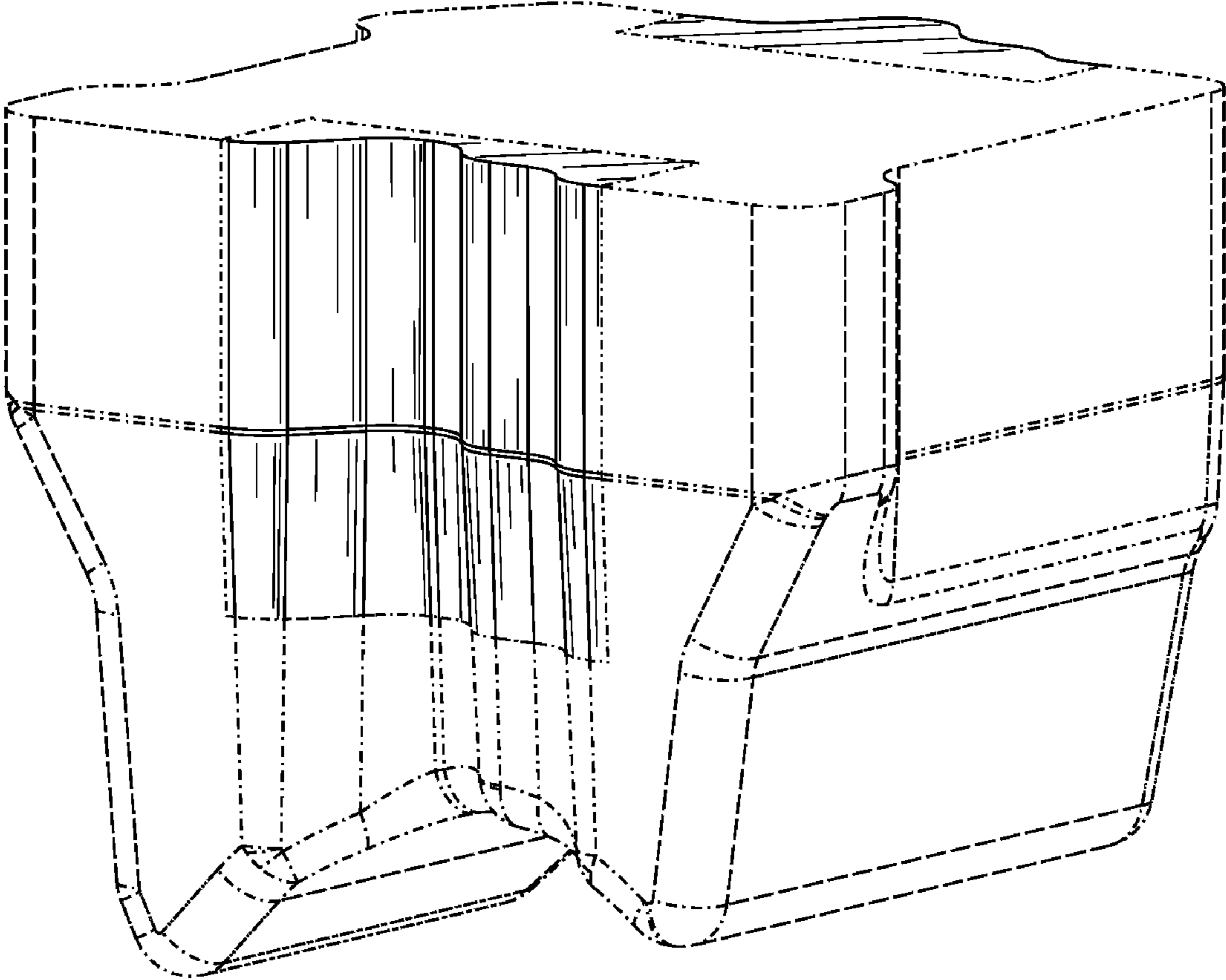


FIG. 1

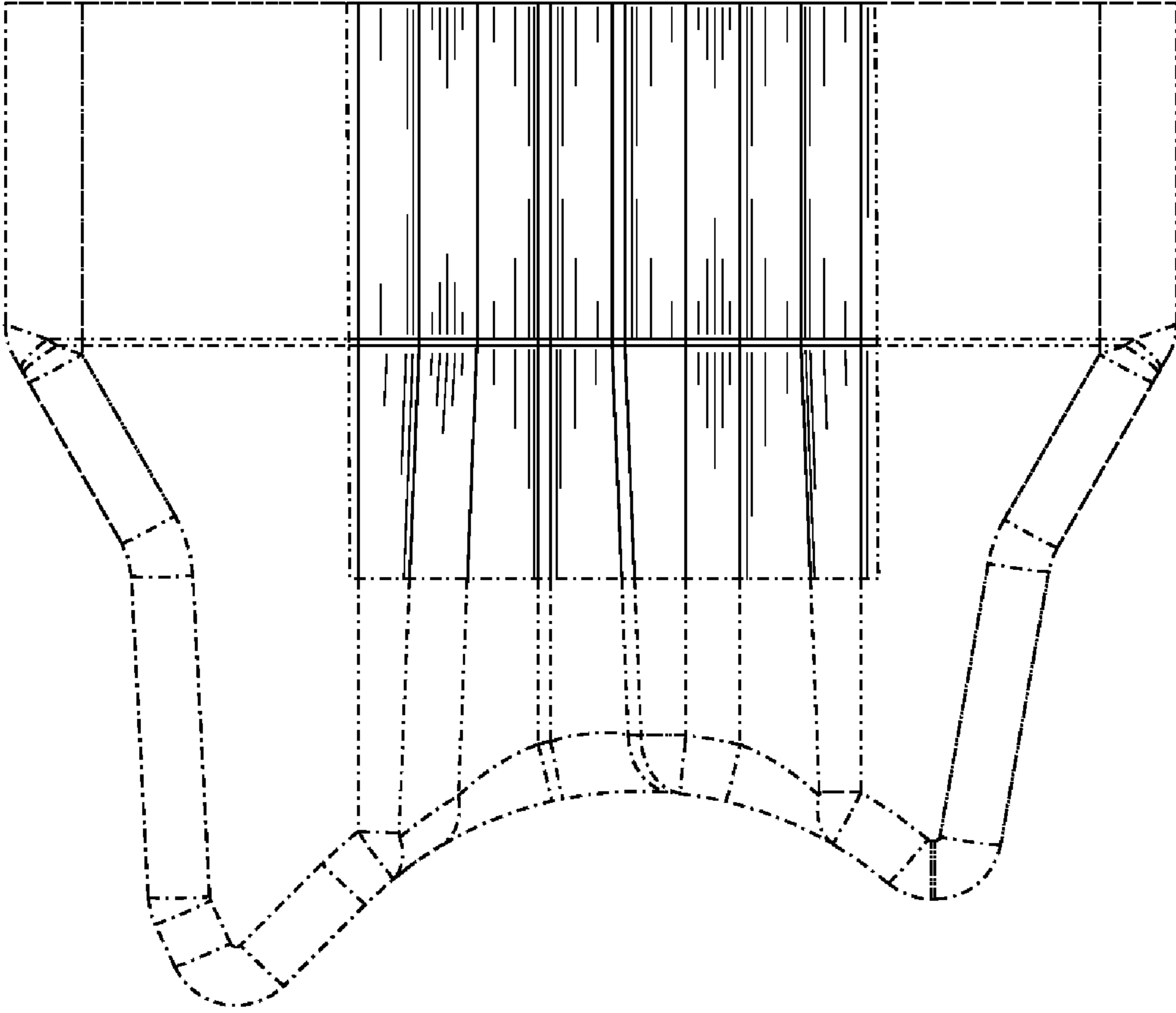


FIG. 2

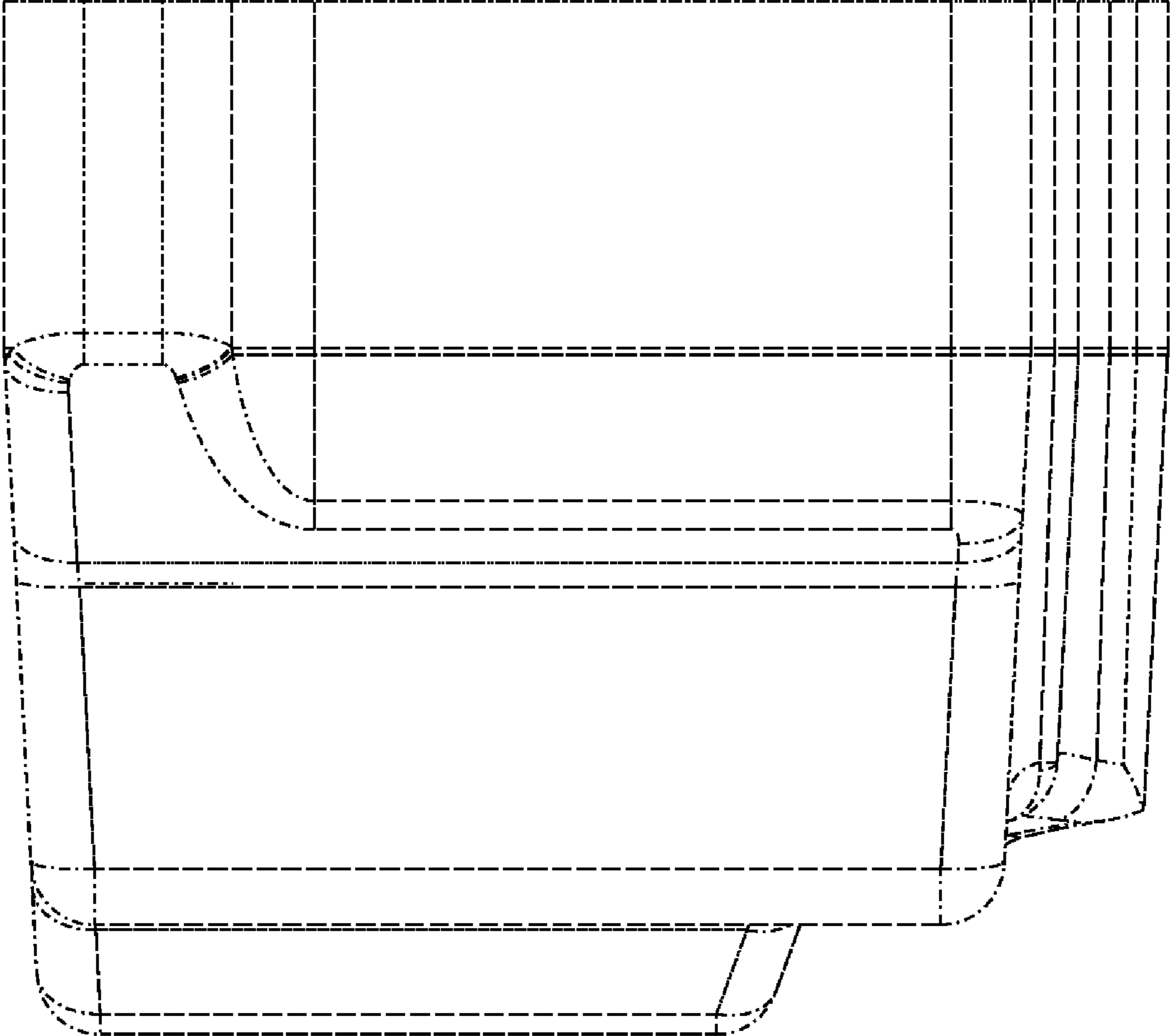


FIG. 3

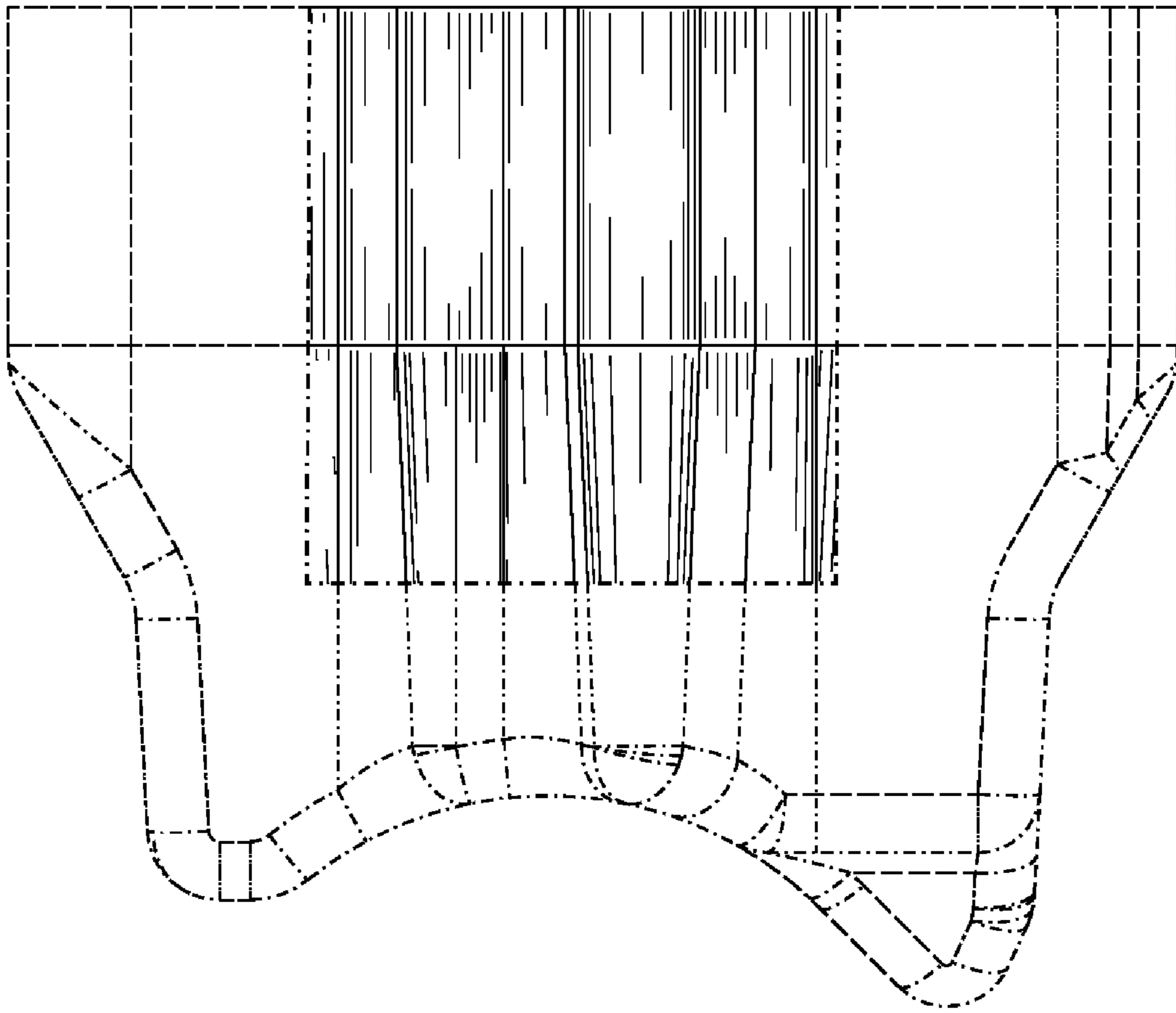


FIG. 4

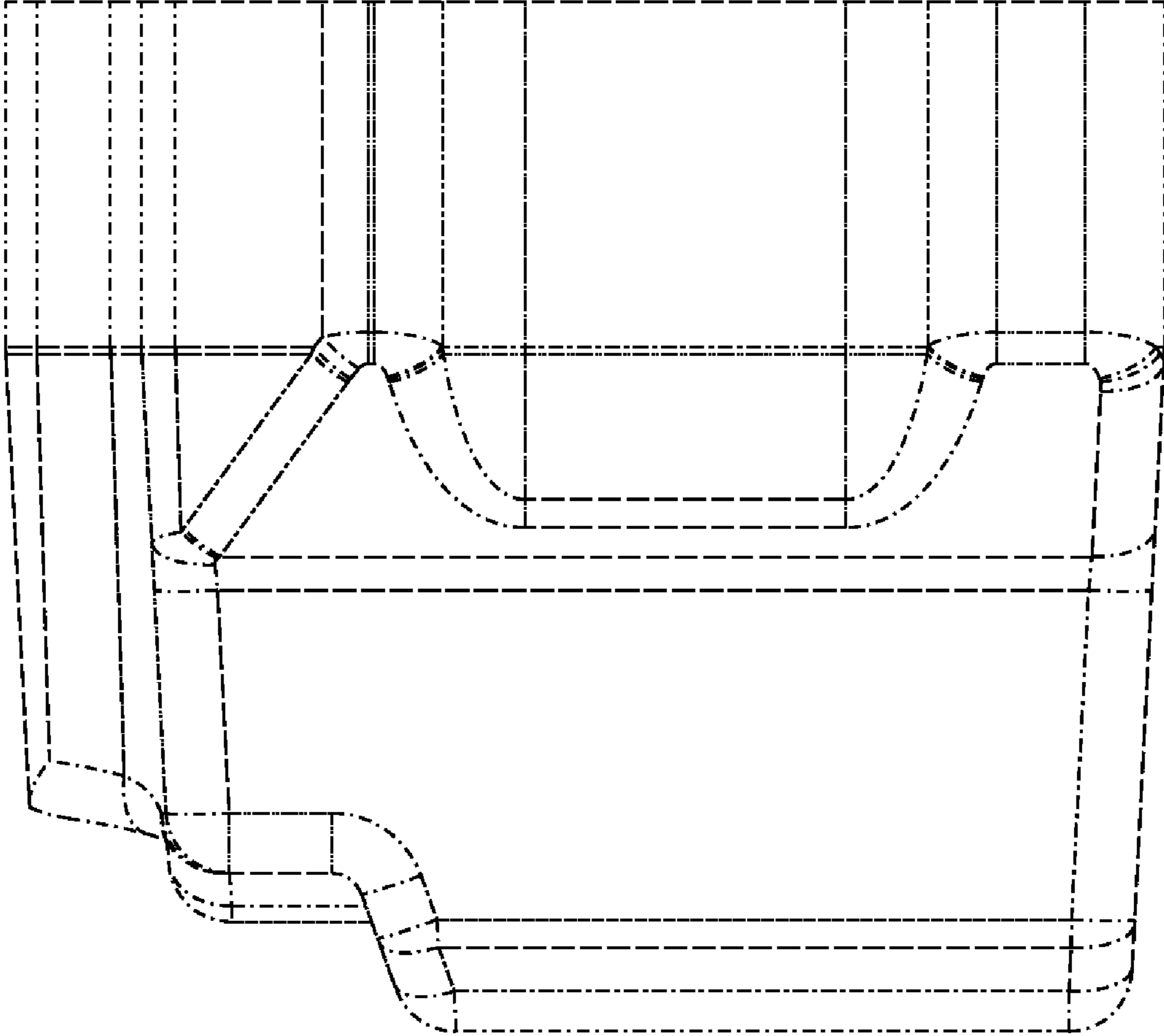


FIG. 5

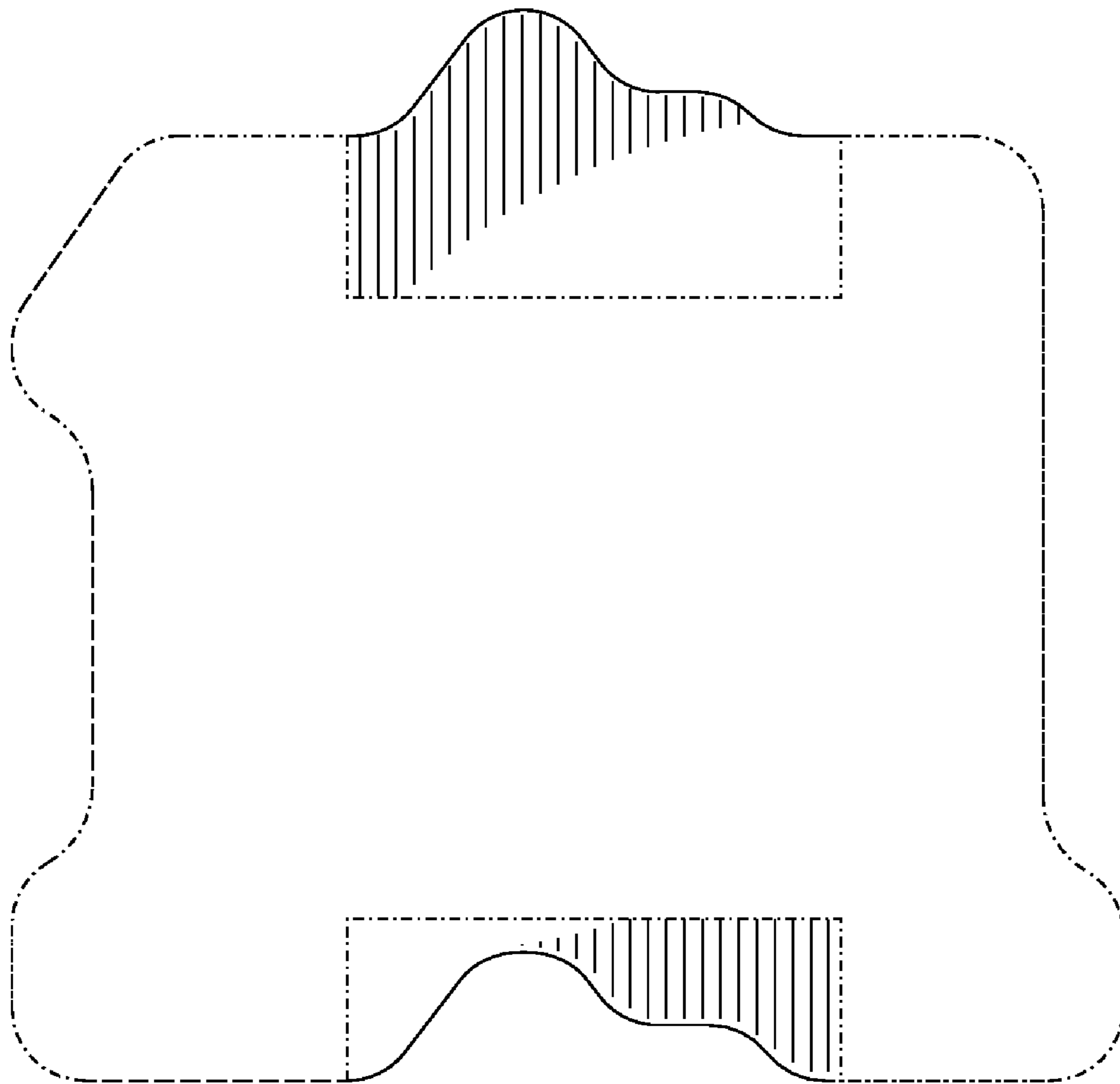


FIG. 6

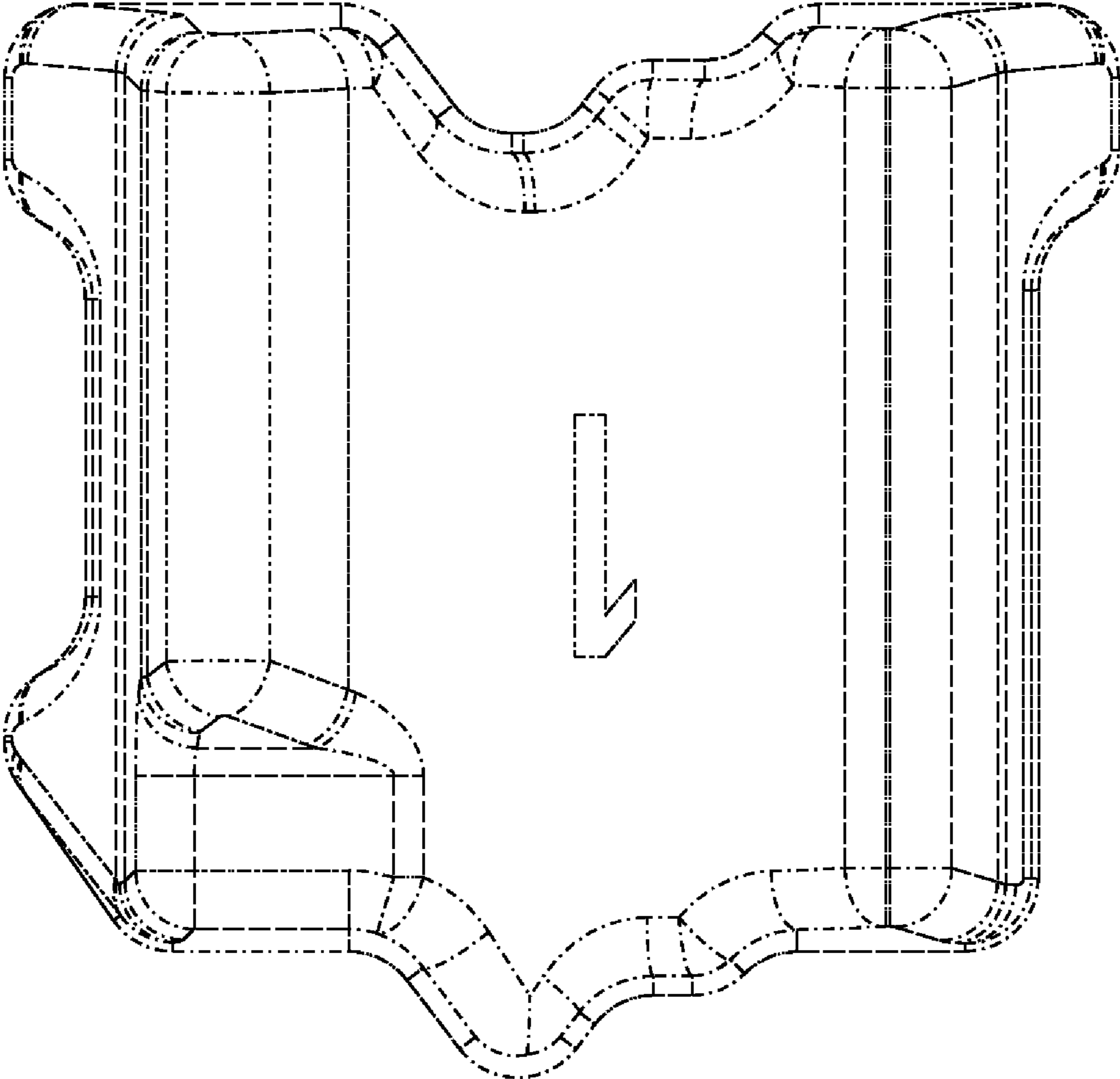


FIG. 7