



US00D559899S

(12) **United States Design Patent**
Leong et al.

(10) **Patent No.:** **US D559,899 S**

(45) **Date of Patent:** **** Jan. 15, 2008**

(54) **PRINTER**

Primary Examiner—Cathy Anne MacCormac

(75) Inventors: **David W. Leong**, San Diego, CA (US);
Robert R. Giles, Escondido, CA (US)

(57) **CLAIM**

(73) Assignee: **Hewlett-Packard Development Company, L.P.**, Houston, TX (US)

We claim the ornamental design for a printer, as shown and described.

(**) Term: **14 Years**

DESCRIPTION

(21) Appl. No.: **29/227,377**

FIG. 1 is a top perspective view of a printer;

(22) Filed: **Apr. 11, 2005**

FIG. 2 is a front elevational view thereof;

(51) **LOC (8) Cl.** **18-02**

(52) **U.S. Cl.** **D18/50**

(58) **Field of Classification Search** D18/14,
D18/19, 36-39, 50, 53, 54, 54.1, 55; D14/420-425,
D14/462-470; D16/246-248; 399/107;
400/613, 613.1-613.4, 690.1-690.4, 691-694

FIG. 3 is a rear elevational view thereof;

FIG. 4 is a left side elevational view thereof;

FIG. 5 is a top plan view thereof; and,

FIG. 6 is a right side elevational view thereof.

The broken lines are for illustrative purposes only and form no part of the claimed.

See application file for complete search history.

1 Claim, 3 Drawing Sheets

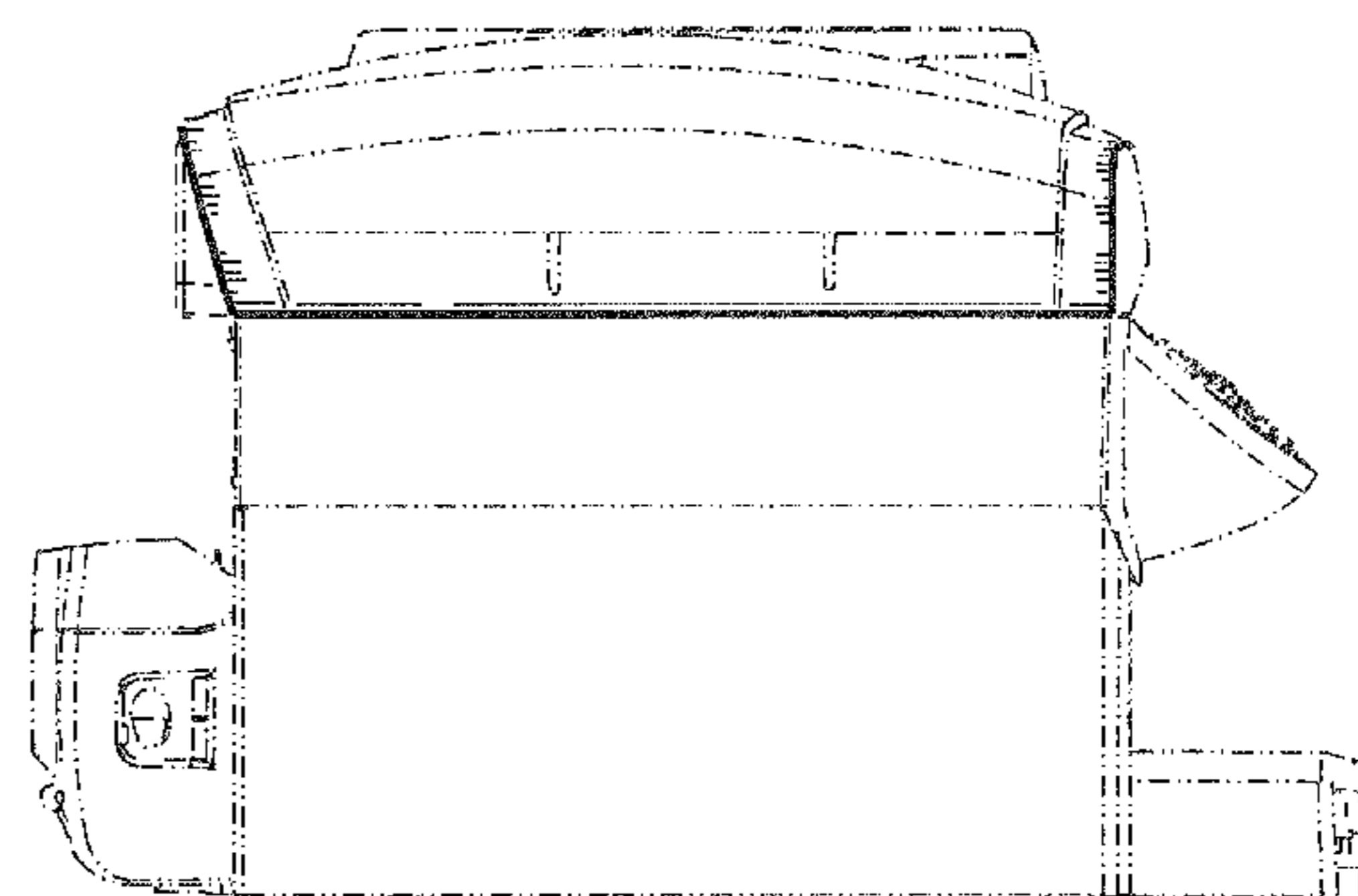
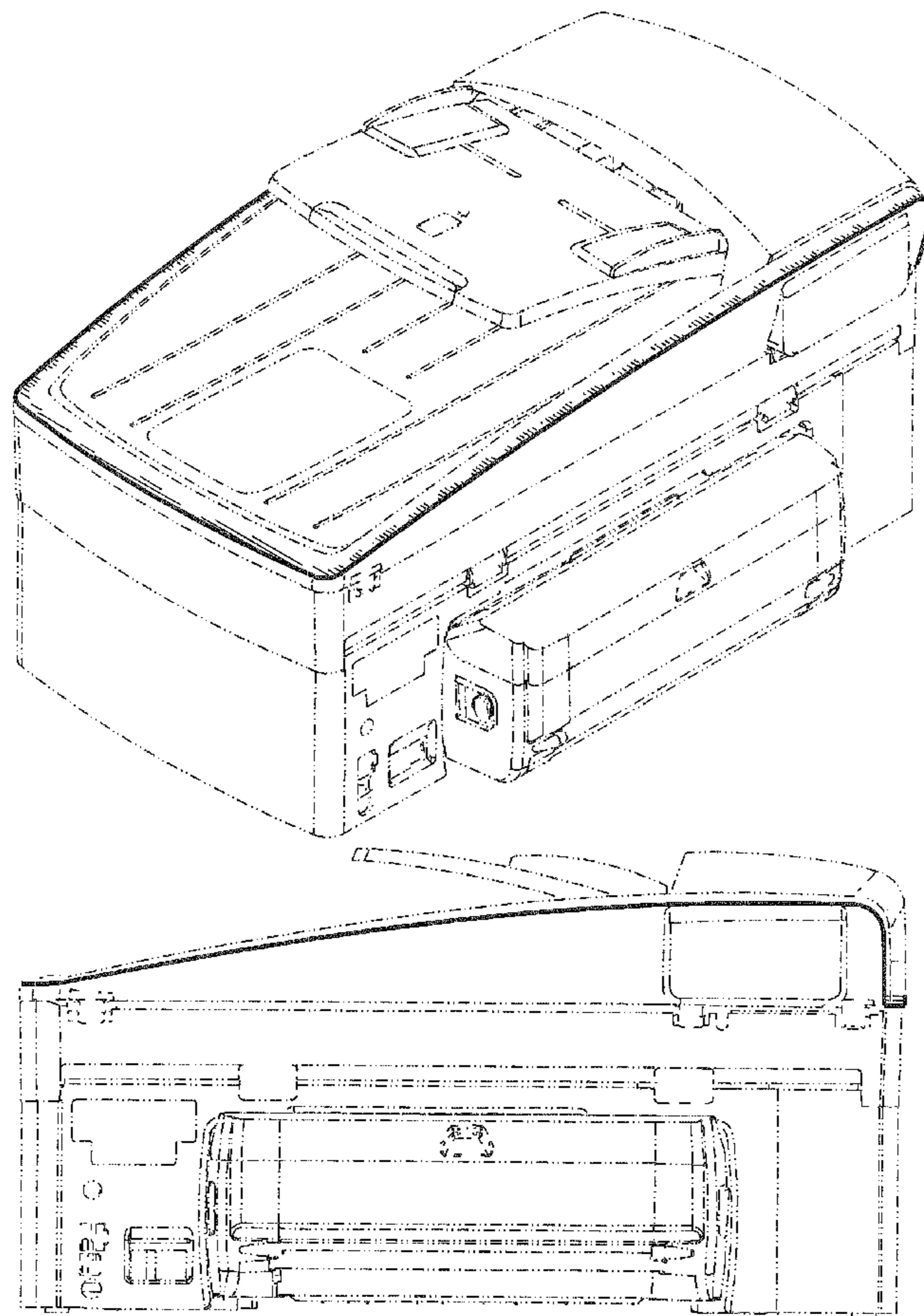


FIG. 1

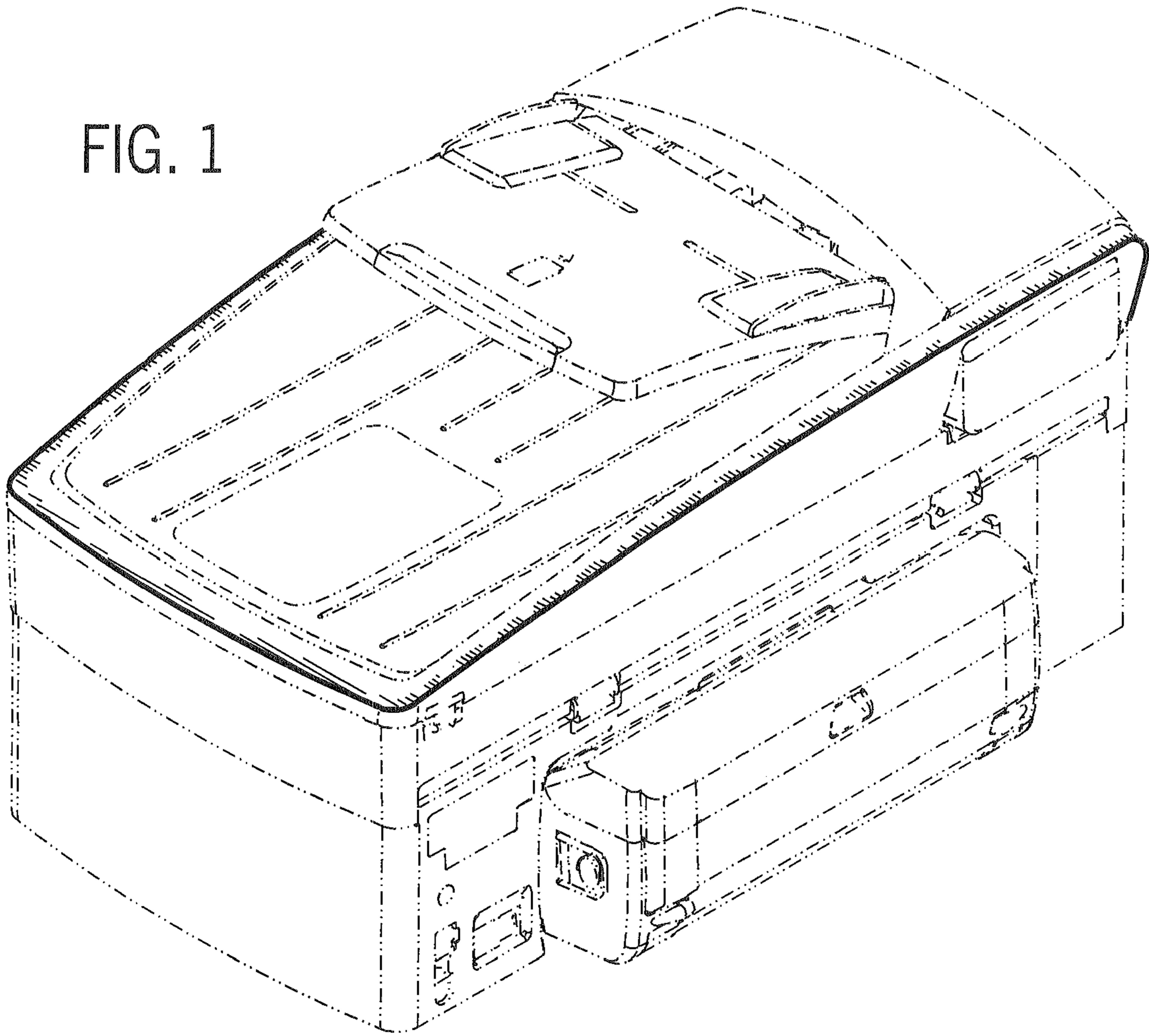


FIG. 2

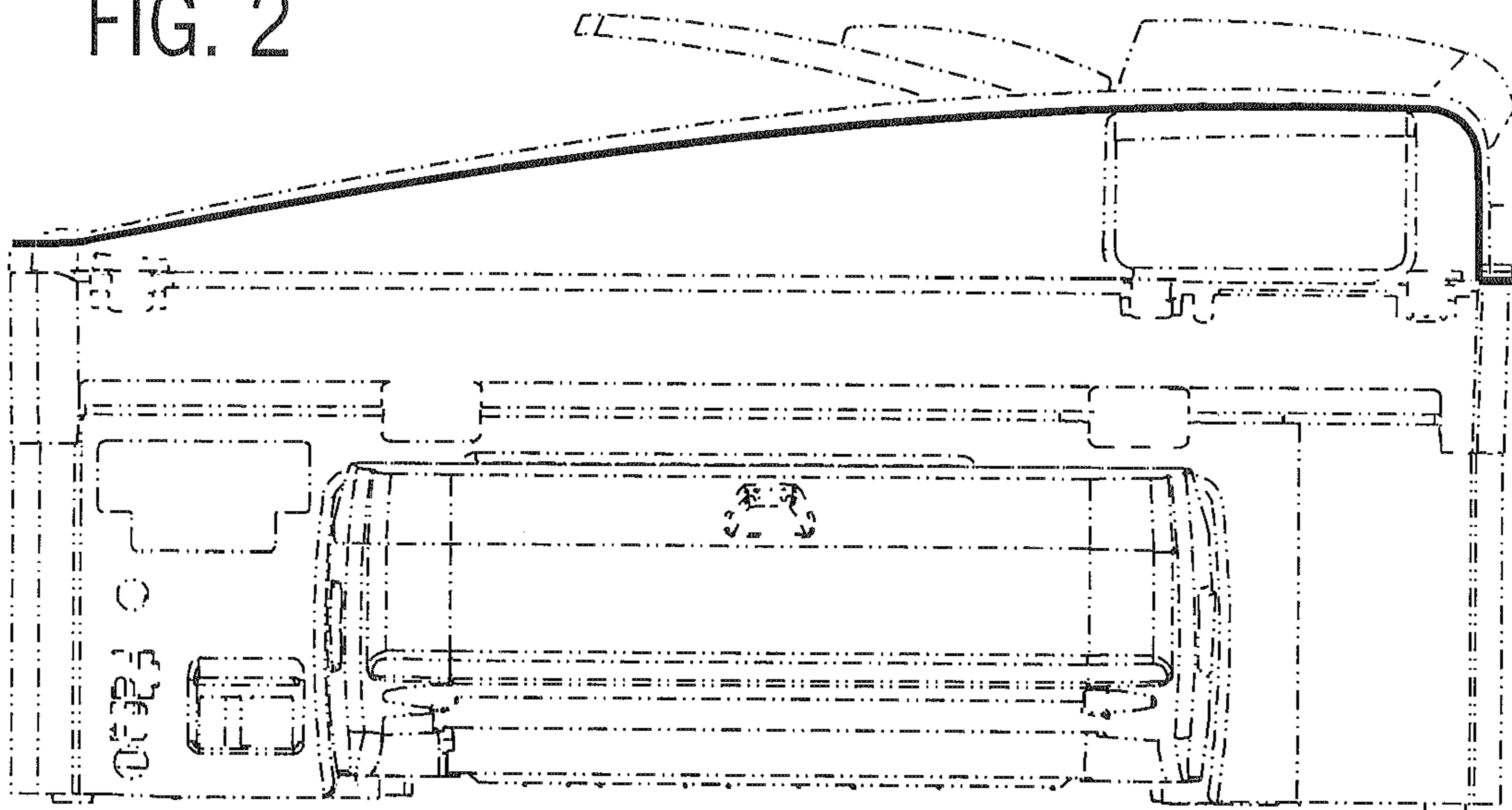


FIG. 3

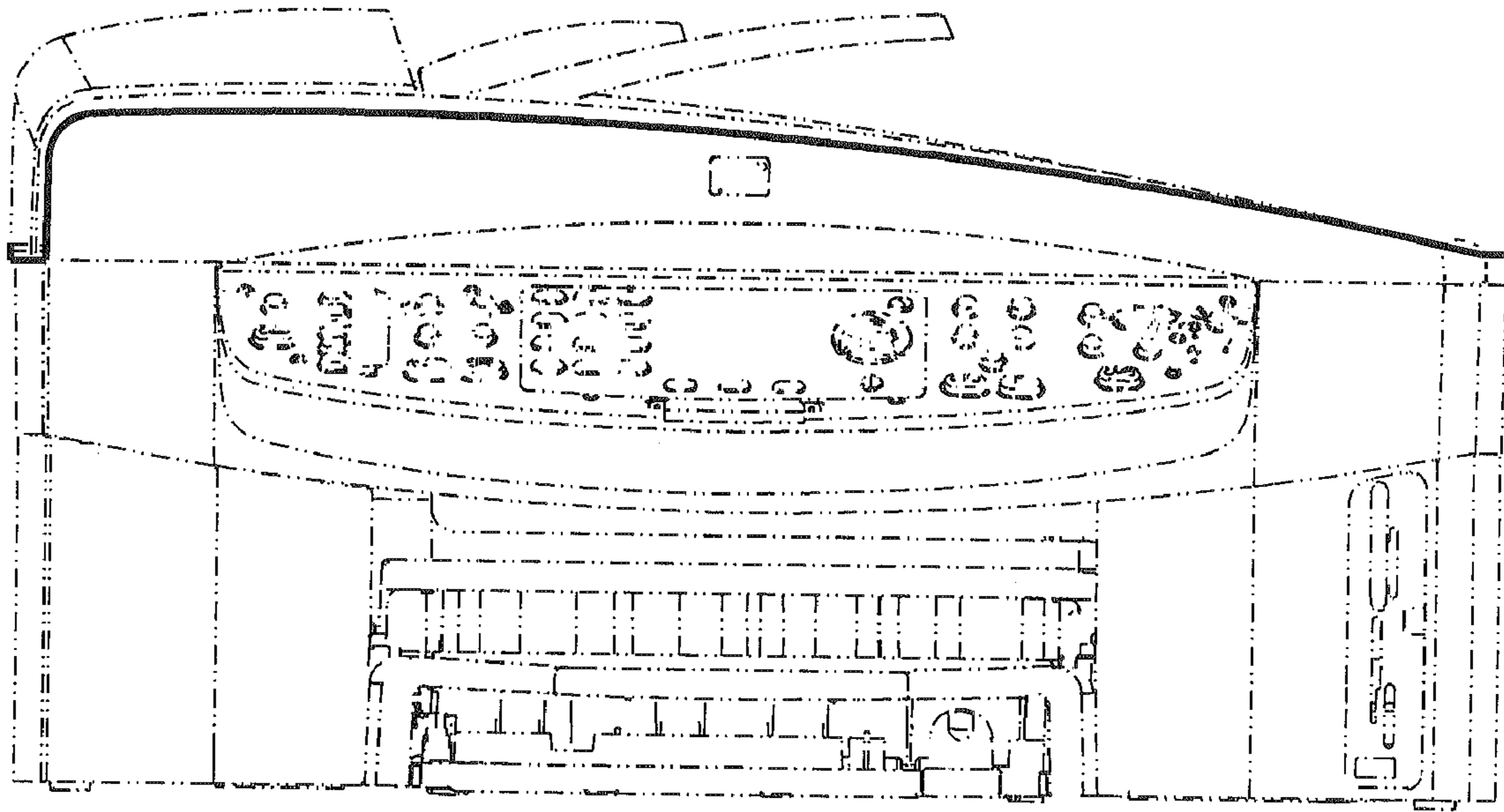
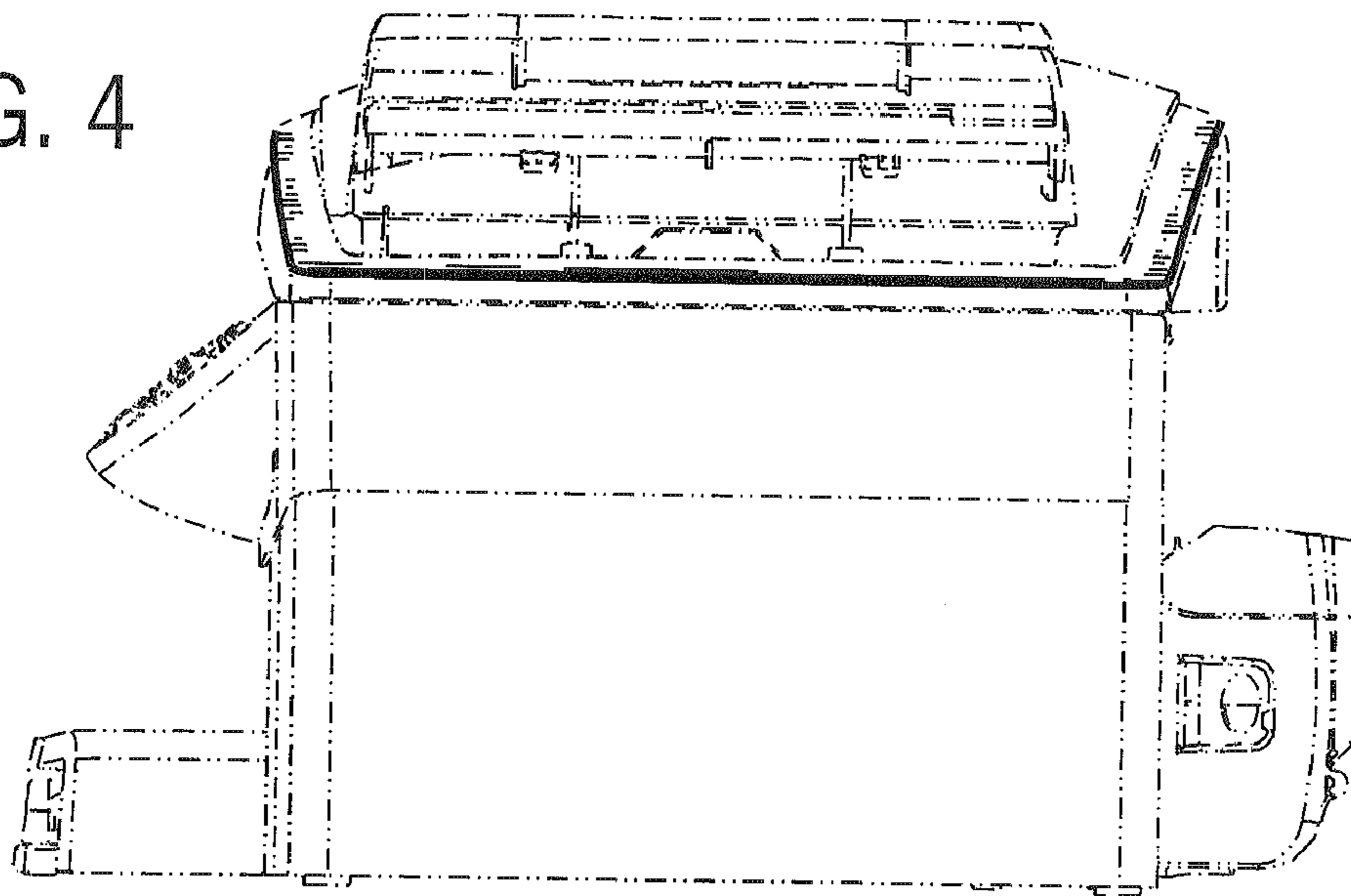


FIG. 4



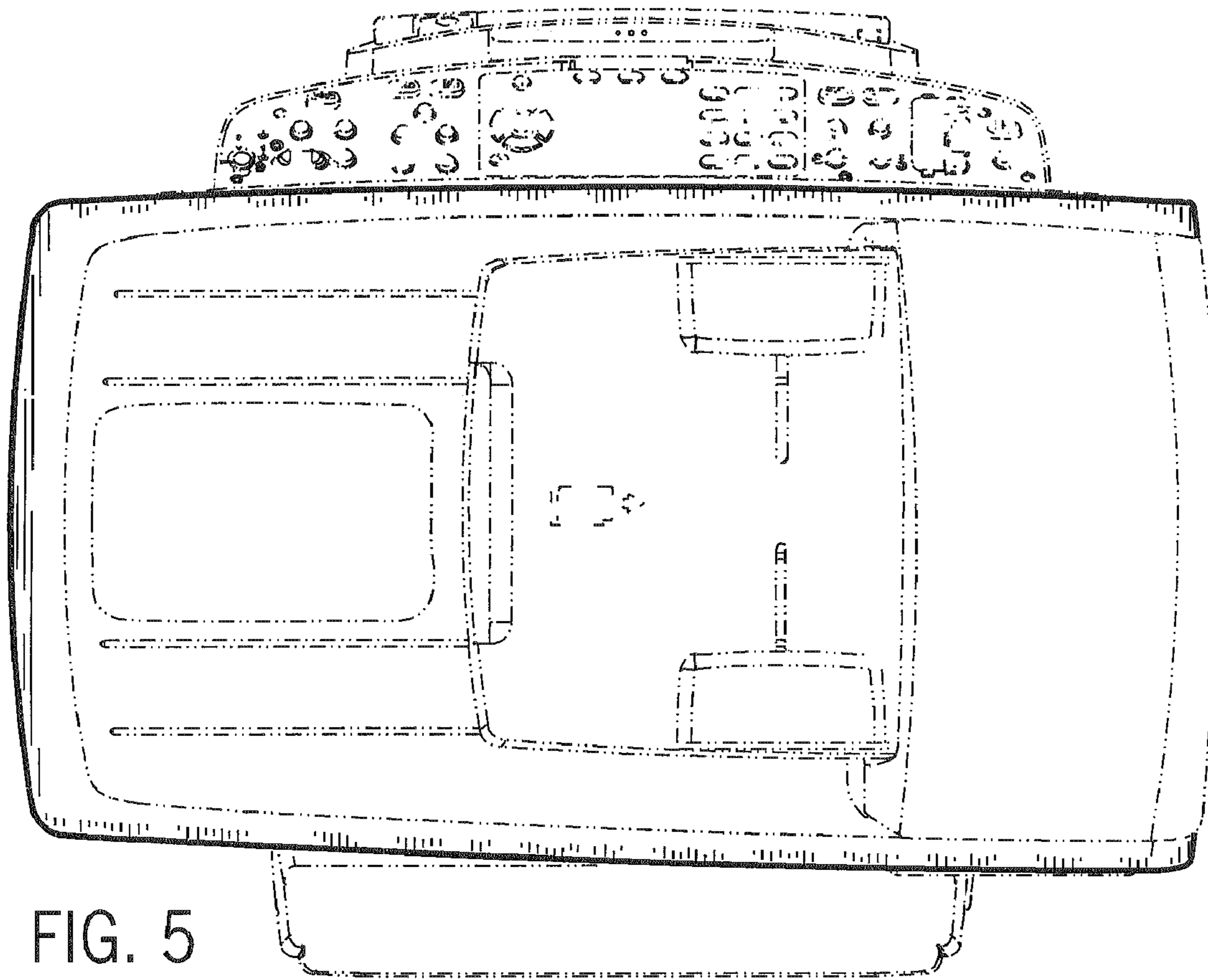


FIG. 5

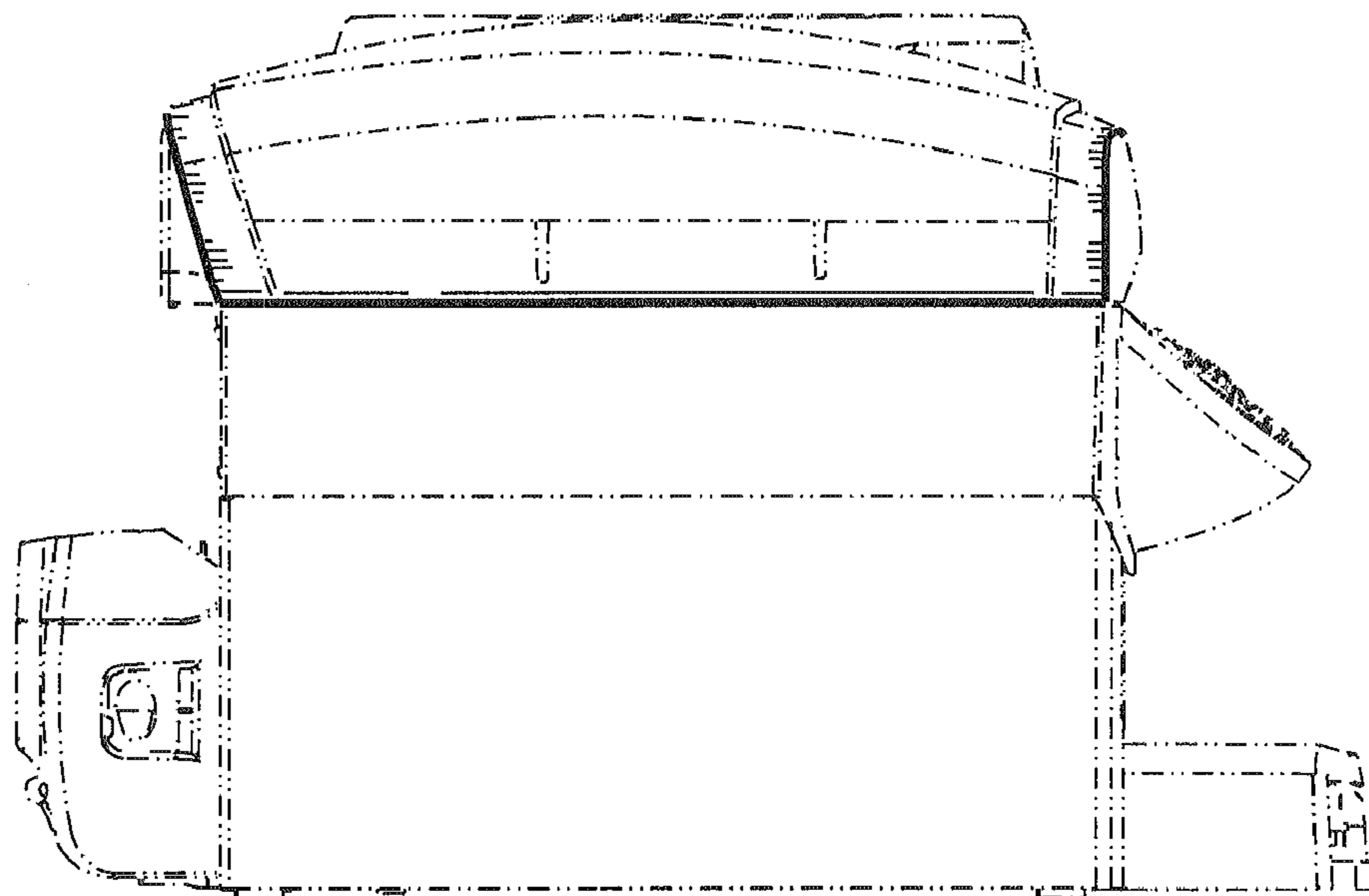


FIG. 6