



US00D559898S

(12) **United States Design Patent**  
**Suzuki et al.**

(10) **Patent No.:** **US D559,898 S**  
(45) **Date of Patent:** **\*\* Jan. 15, 2008**

(54) **DOCUMENT FEEDER FOR A DIGITAL  
COPYING MACHINE**

(75) Inventors: **Hiroko Suzuki**, Kanagawa (JP);  
**Osamu Miki**, Kanagawa (JP); **Shigeru  
Horiguchi**, Kanagawa (JP)

(73) Assignee: **Ricoh Company, Ltd.**, Tokyo (JP)

(\*\*) Term: **14 Years**

(21) Appl. No.: **29/259,714**

(22) Filed: **May 16, 2006**

(30) **Foreign Application Priority Data**

Nov. 16, 2005 (JP) ..... 2005-033808

(51) **LOC (8) Cl.** ..... **18-99**

(52) **U.S. Cl.** ..... **D18/49**

(58) **Field of Classification Search** ..... D18/36-41,  
D18/44-45; 222/DIG. 1; 271/3.14, 8.1,  
271/226, 278; 355/97, 99; 358/1.1; 399/1-7,  
399/16, 75, 81, 107, 130, 151, 361, 365,  
399/367, 381-383, 388

See application file for complete search history.

(56) **References Cited**

**U.S. PATENT DOCUMENTS**

D384,693 S \* 10/1997 Kenmochi et al. .... D18/49  
5,786,905 A \* 7/1998 Kaji et al. .... 355/99

D435,858 S \* 1/2001 Hatanaka et al. .... D18/39  
D447,765 S \* 9/2001 Hatanaka et al. .... D18/39  
D537,866 S \* 3/2007 Matsuda et al. .... D18/39  
2002/0008347 A1 \* 1/2002 Takida et al. .... 271/3.14  
2005/0254869 A1 \* 11/2005 Yamada et al. .... 399/361  
2007/0020007 A1 \* 1/2007 Azuma ..... 399/367

\* cited by examiner

*Primary Examiner*—Robert M. Spear

*Assistant Examiner*—Garth Rademaker

(74) *Attorney, Agent, or Firm*—Dickstein Shapiro LLP

(57) **CLAIM**

The ornamental design for a document feeder for a digital copying machine, as shown and described.

**DESCRIPTION**

FIG. 1 is a front elevation of a document feeder for a digital copying machine according to the present invention;

FIG. 2 is a rear elevation thereof;

FIG. 3 is a top plan view thereof;

FIG. 4 is a bottom plan view thereof;

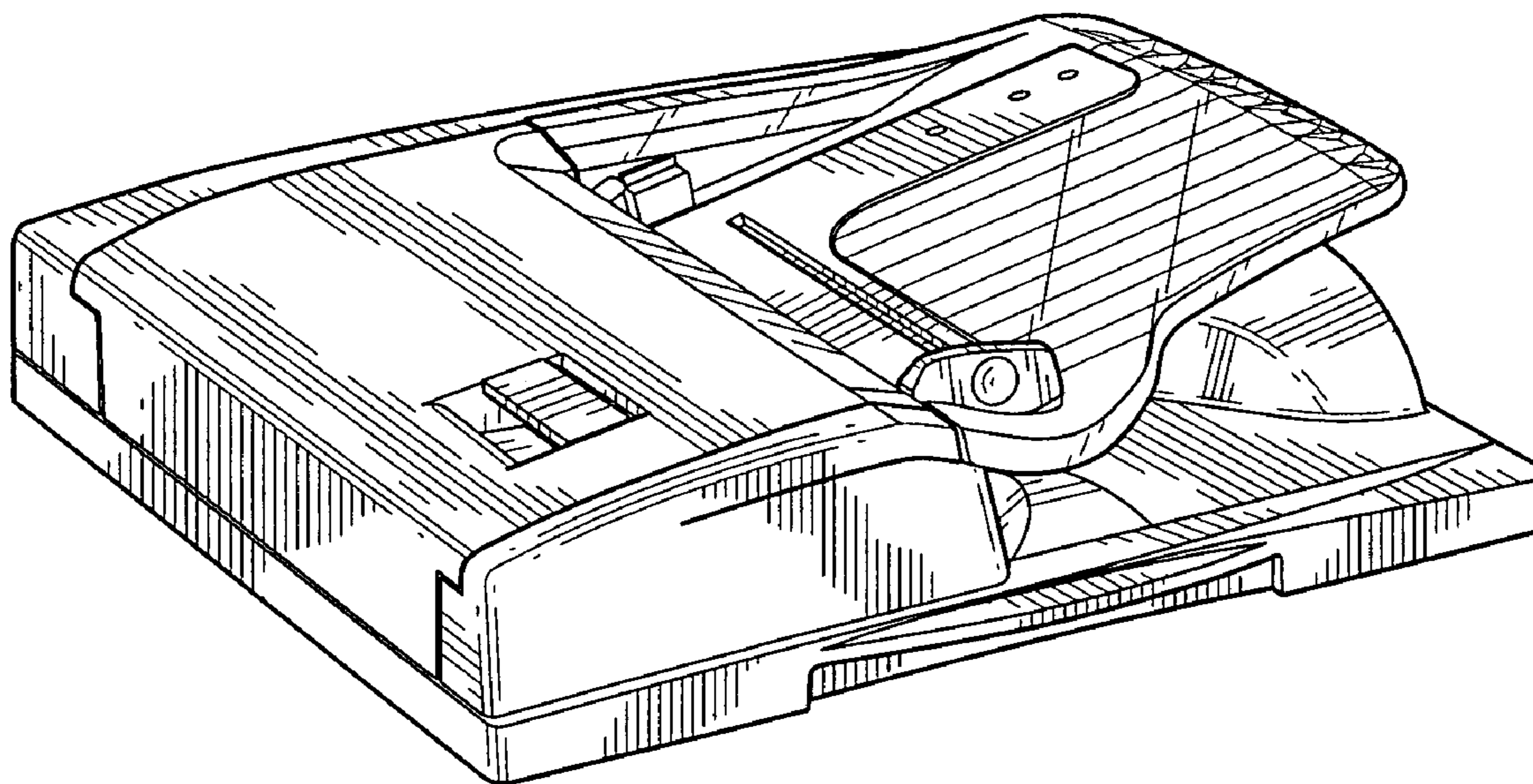
FIG. 5 is a right side elevation thereof;

FIG. 6 is a left side elevation thereof;

FIG. 7 is a top, front and right side perspective view thereof; and,

FIG. 8 is a top, front and left side perspective view thereof.

**1 Claim, 3 Drawing Sheets**



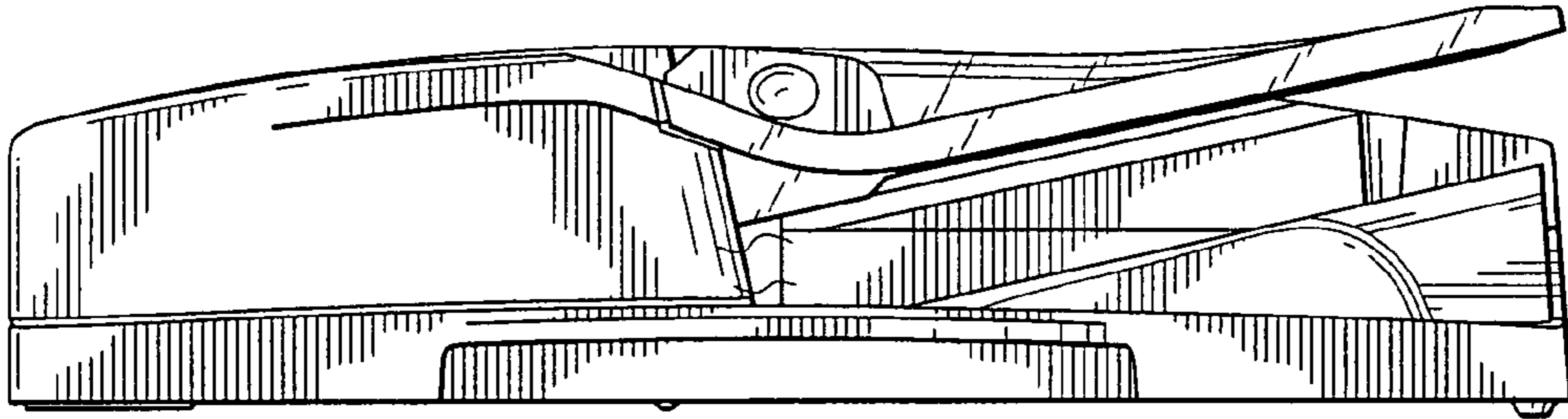


FIG. 1

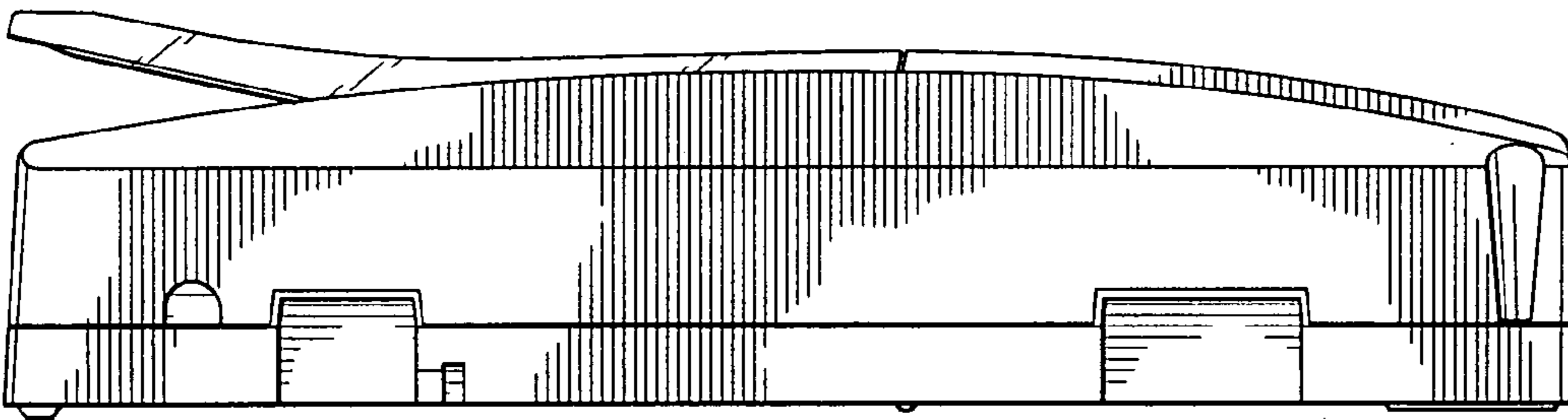


FIG. 2

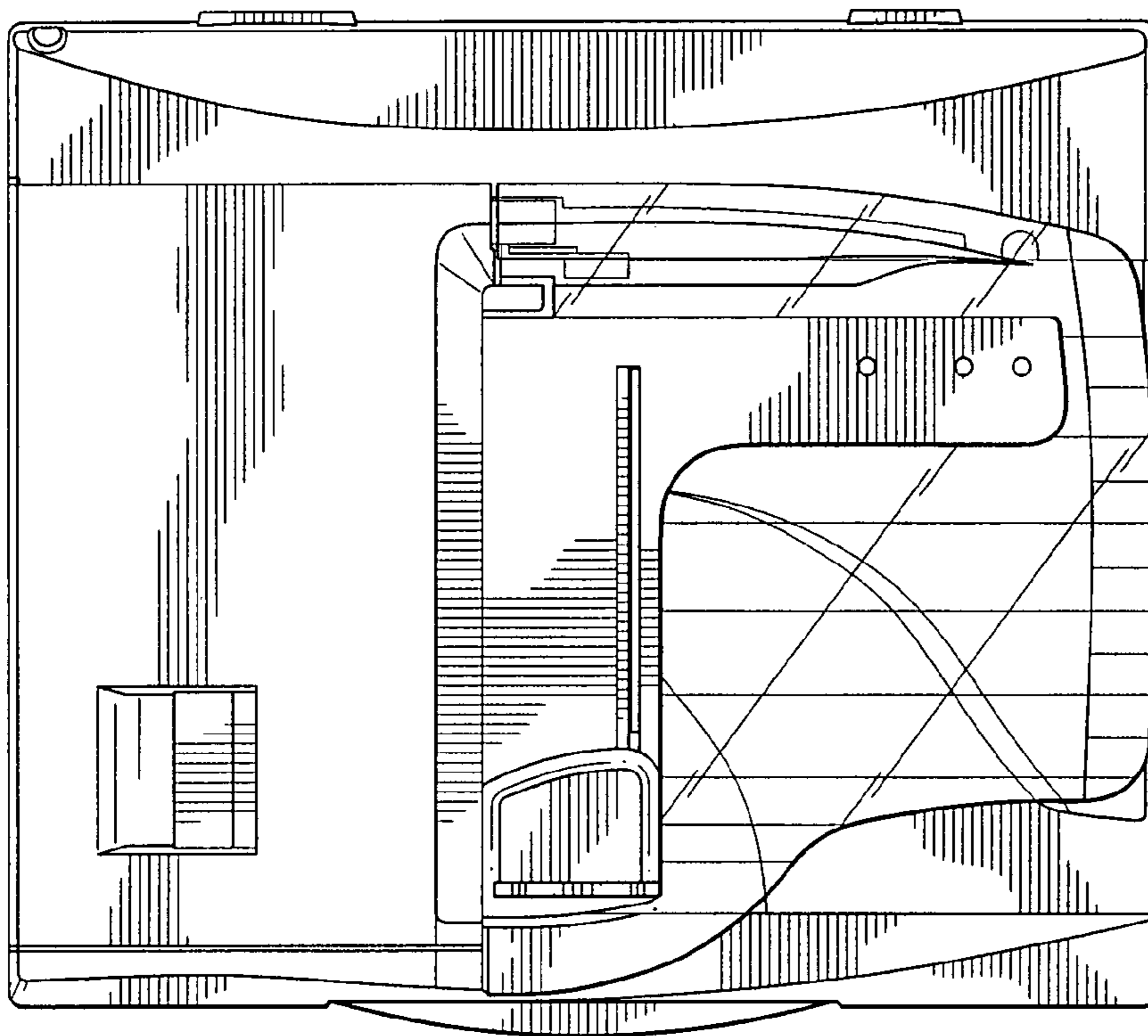


FIG. 3

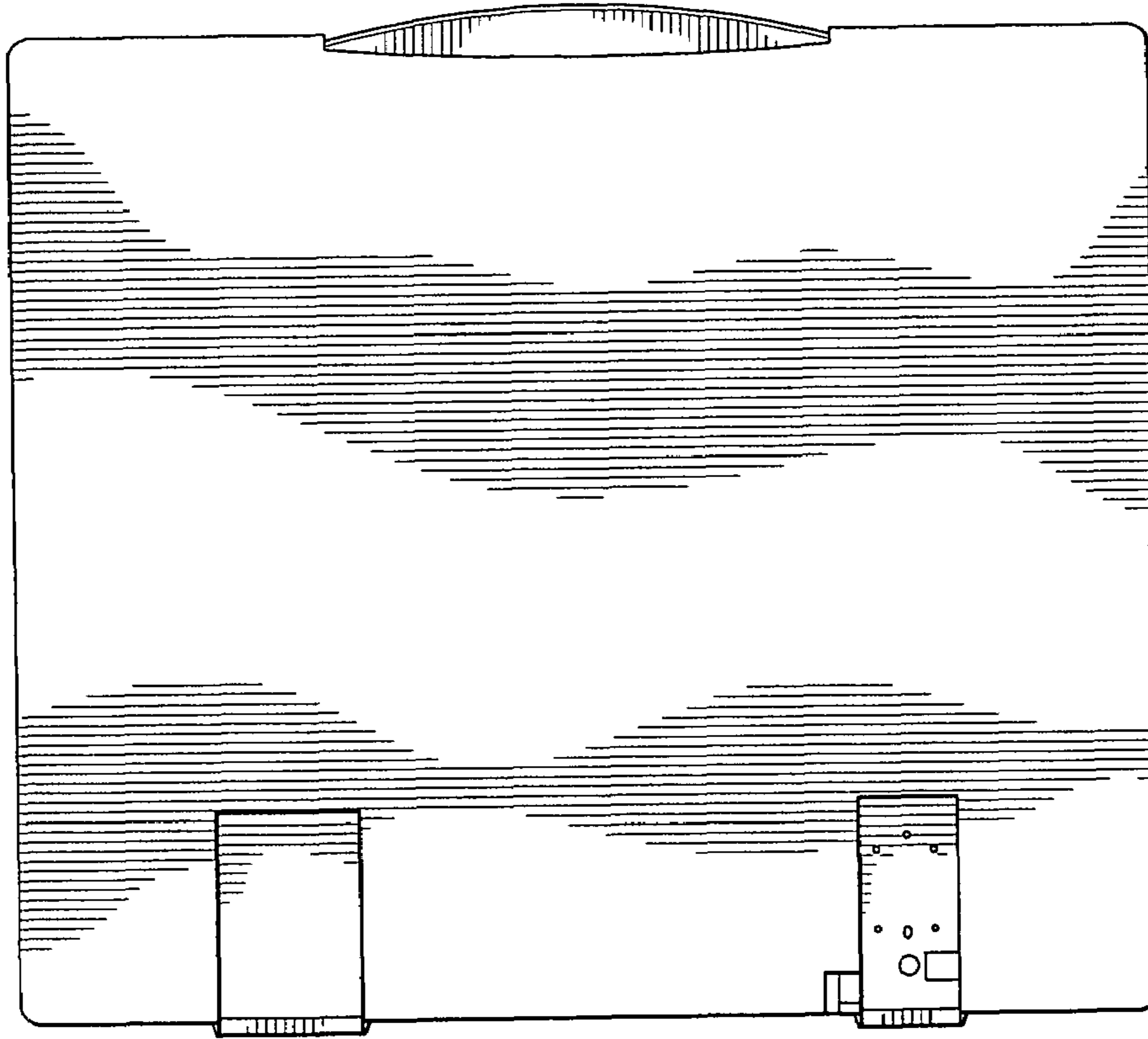


FIG. 4

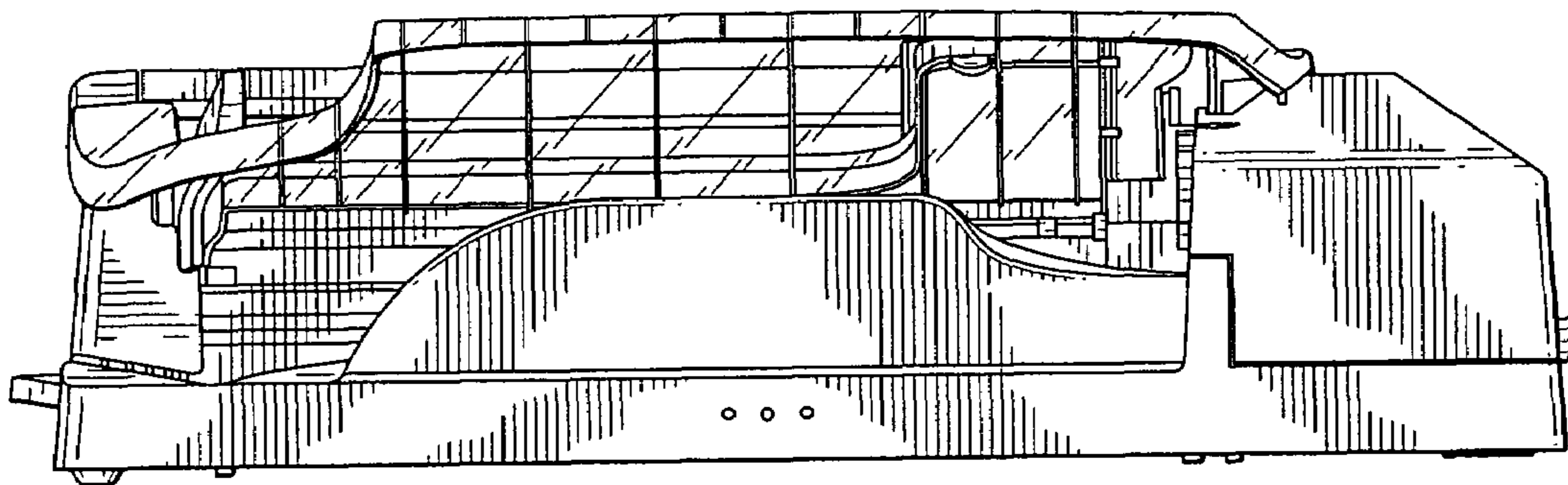


FIG. 5

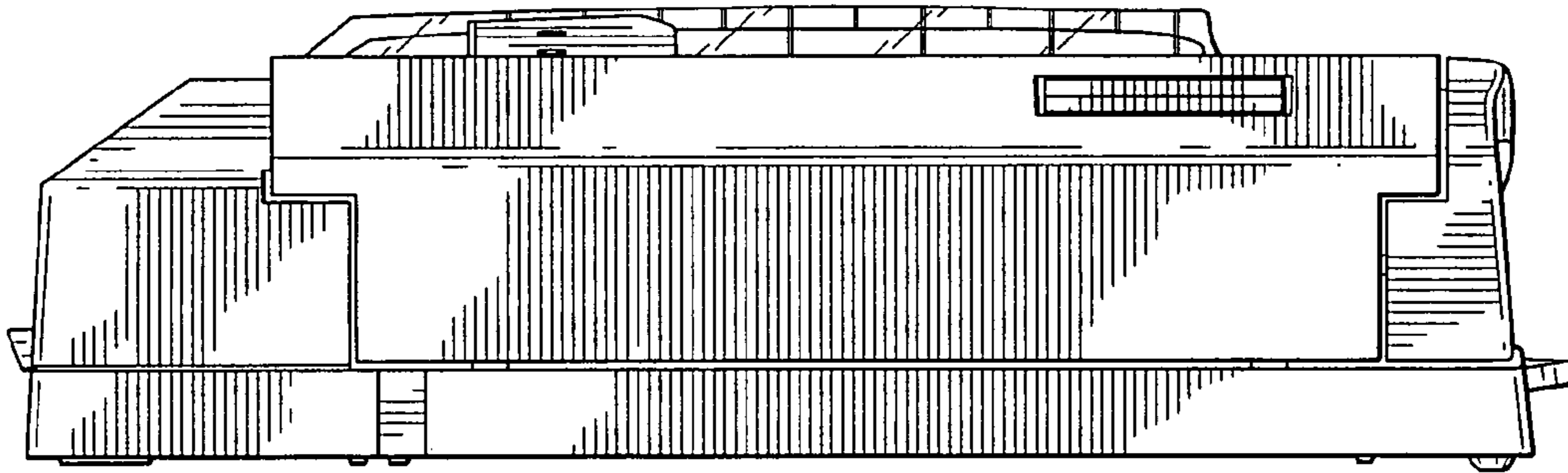


FIG. 6

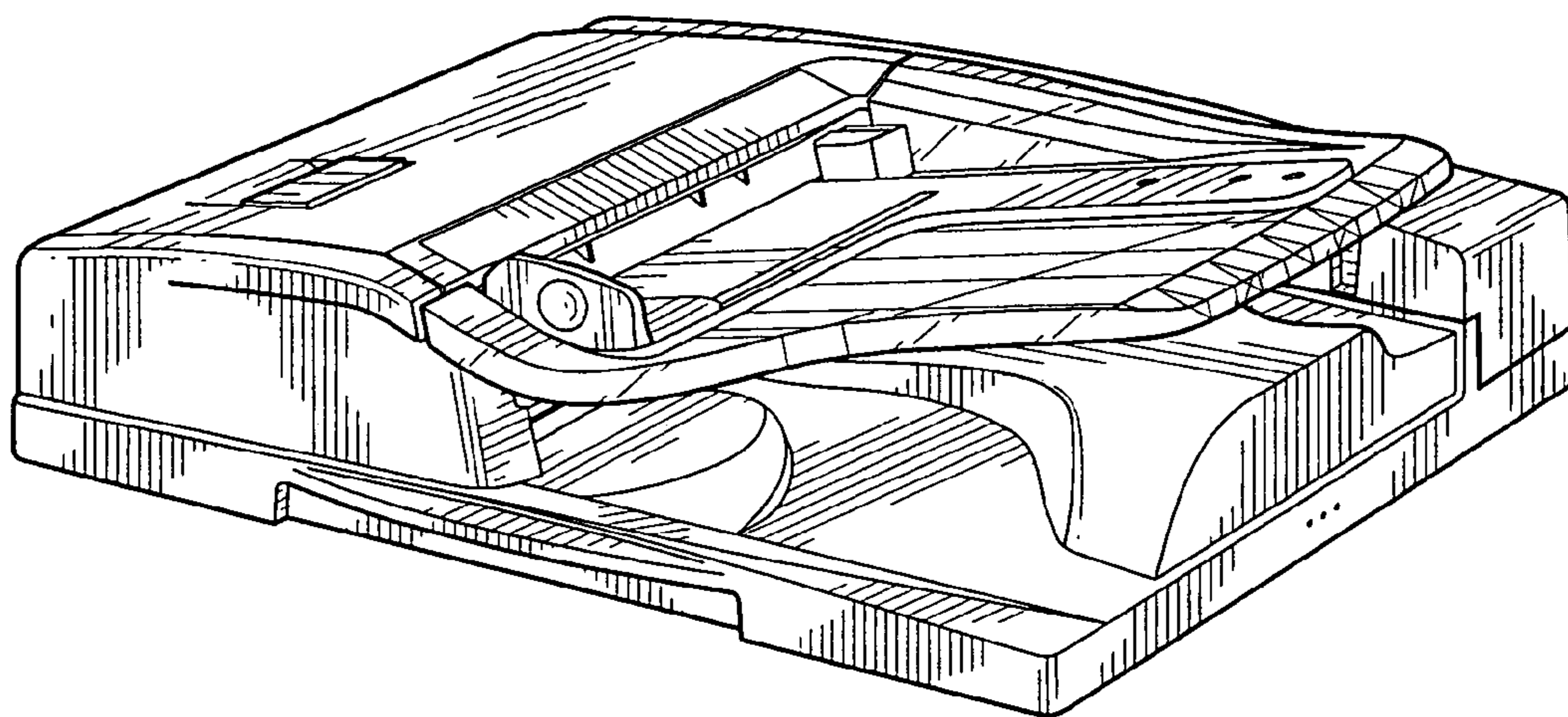


FIG. 7

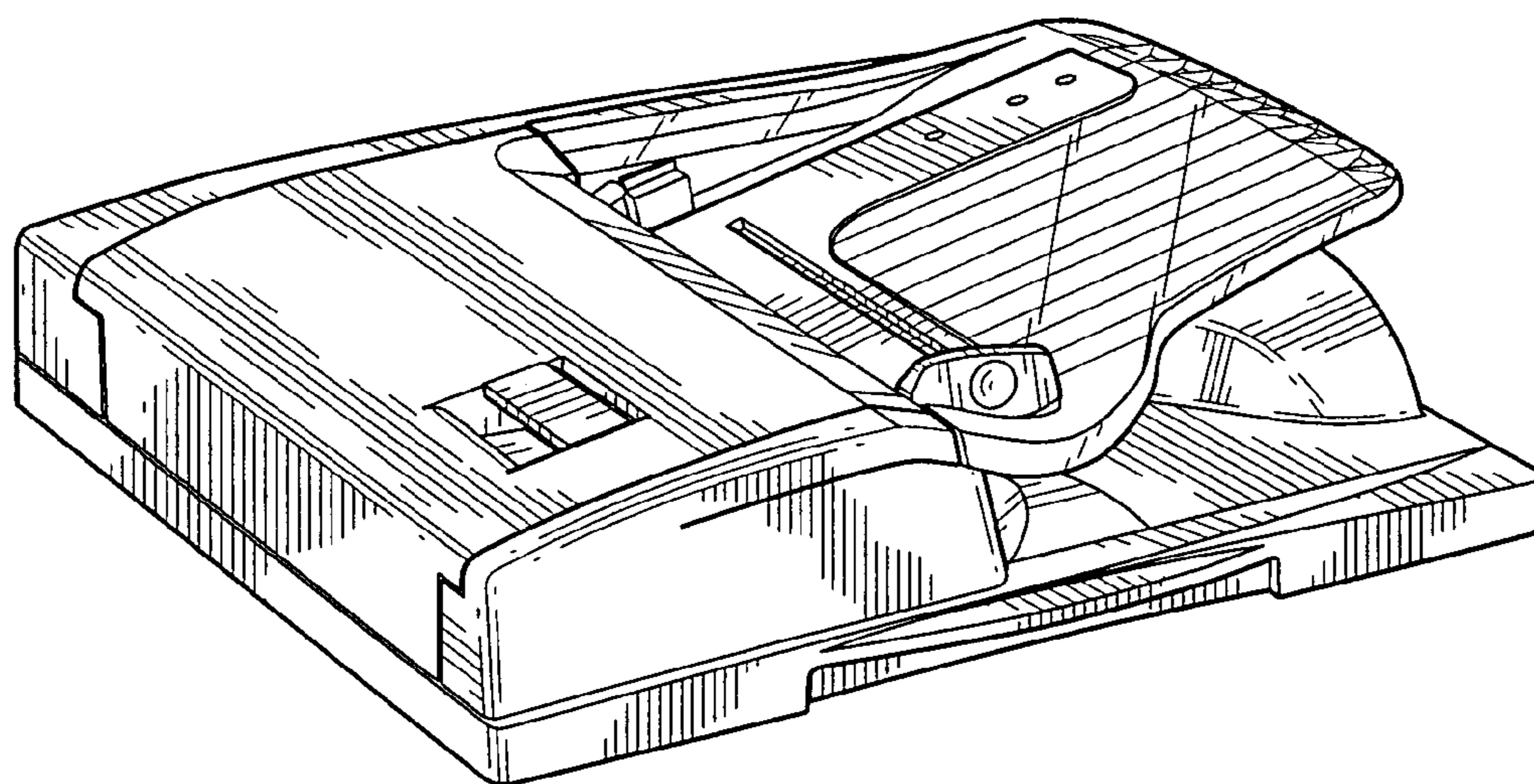


FIG. 8