



US00D559897S

(12) **United States Design Patent** (10) **Patent No.:** **US D559,897 S**
Suzuki et al. (45) **Date of Patent:** **** Jan. 15, 2008**

(54) **DOCUMENT FEEDER FOR A DIGITAL COPYING MACHINE**

(75) Inventors: **Hiroko Suzuki**, Kanagawa (JP);
Shigeru Horiguchi, Kanagawa (JP);
Osamu Miki, Kanagawa (JP)

(73) Assignee: **Ricoh Company, Ltd.**, Tokyo (JP)

(**) Term: **14 Years**

(21) Appl. No.: **29/259,710**

(22) Filed: **May 16, 2006**

(30) **Foreign Application Priority Data**

Nov. 16, 2005 (JP) 2005-033807

(51) **LOC (8) Cl.** **18-99**

(52) **U.S. Cl.** **D18/49**

(58) **Field of Classification Search** D18/36-41,
D18/44-55; 222/DIG. 1; 271/3.14, 8.1,
271/226, 278; 355/97, 99; 358/1.1; 399/1-7,
399/16, 75, 81, 107, 130, 151, 361, 365,
399/367, 381-383, 388

See application file for complete search history.

(56) **References Cited**

U.S. PATENT DOCUMENTS

D384,693 S * 10/1997 Kenmochi et al. D18/49
5,786,905 A * 7/1998 Kaji et al. 355/99

D435,858 S * 1/2001 Hatanaka et al. D18/39
D447,765 S * 9/2001 Hatanaka et al. D18/39
D537,866 S * 3/2007 Matsuda et al. D18/39
2002/0008347 A1 * 1/2002 Takida et al. 271/3.14
2005/0254869 A1 * 11/2005 Yamada et al. 399/361
2007/0020007 A1 * 1/2007 Azuma 399/367

* cited by examiner

Primary Examiner—Robert M. Spear

Assistant Examiner—Garth Rademaker

(74) *Attorney, Agent, or Firm*—Dickstein Shapiro LLP

(57) **CLAIM**

The ornamental design for a document feeder for a digital copying machine, as shown and described.

DESCRIPTION

FIG. 1 is a front elevation of a document feeder for a copying machine according to the present invention;

FIG. 2 is a rear elevation thereof;

FIG. 3 is a top plan view thereof;

FIG. 4 is a bottom plan view thereof;

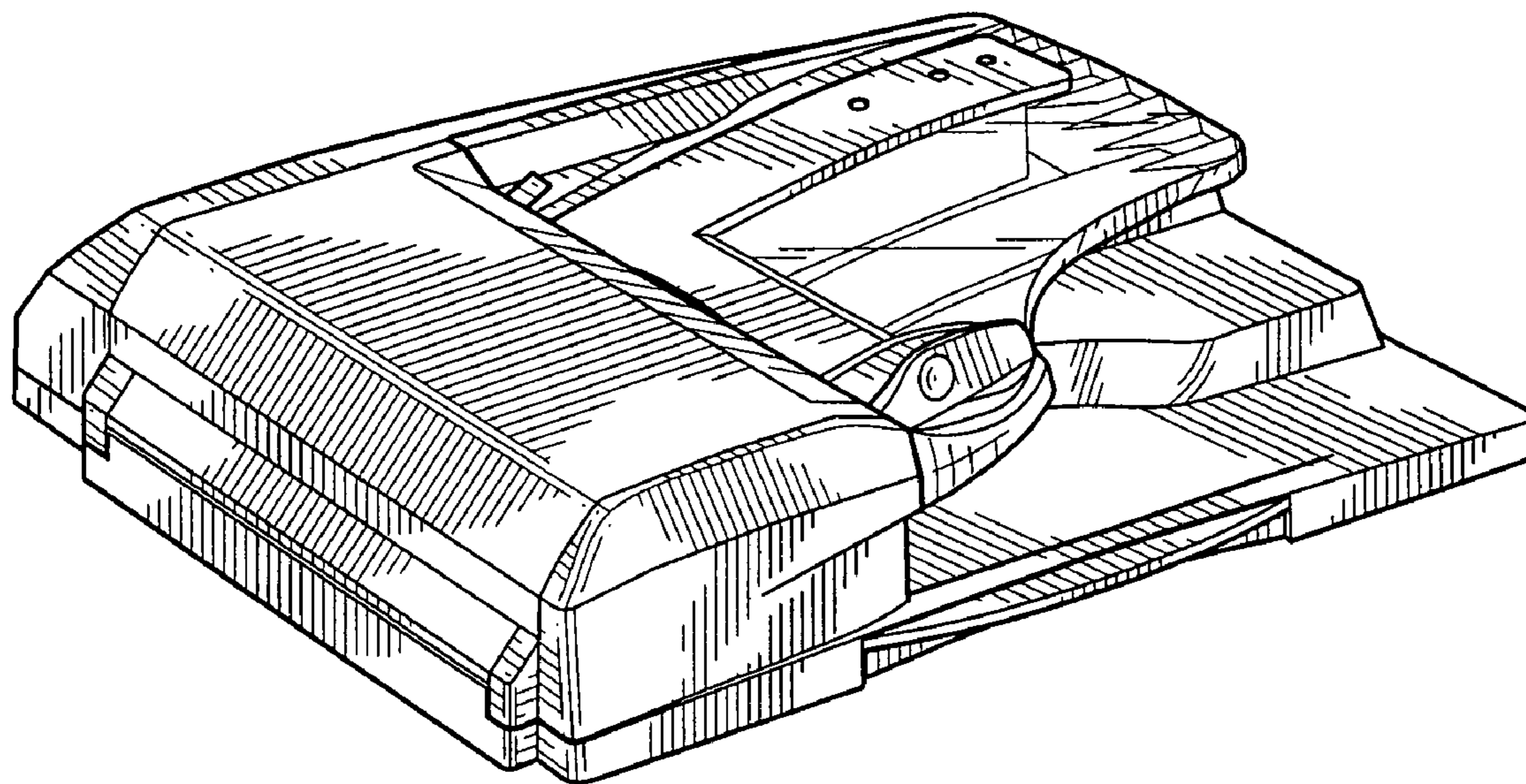
FIG. 5 is a right side elevation thereof;

FIG. 6 is a left side elevation thereof;

FIG. 7 is a top, front and left side perspective view thereof; and,

FIG. 8 is a top, front and right side perspective view thereof.

1 Claim, 3 Drawing Sheets



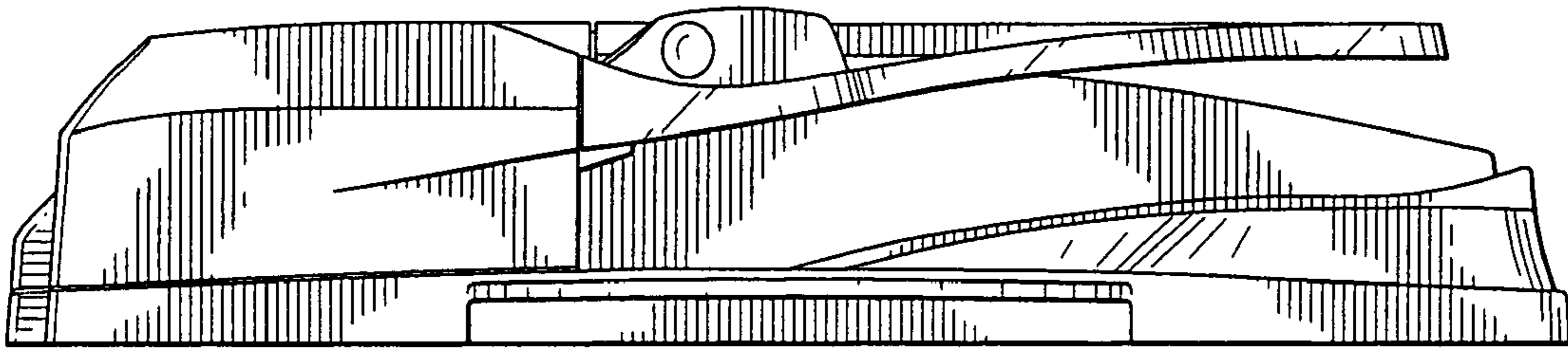


FIG. 1

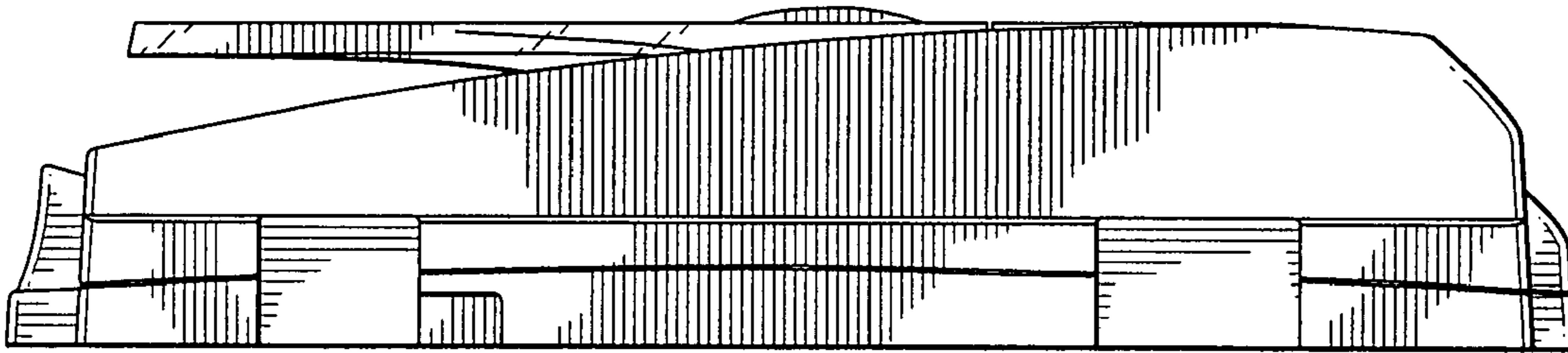


FIG. 2

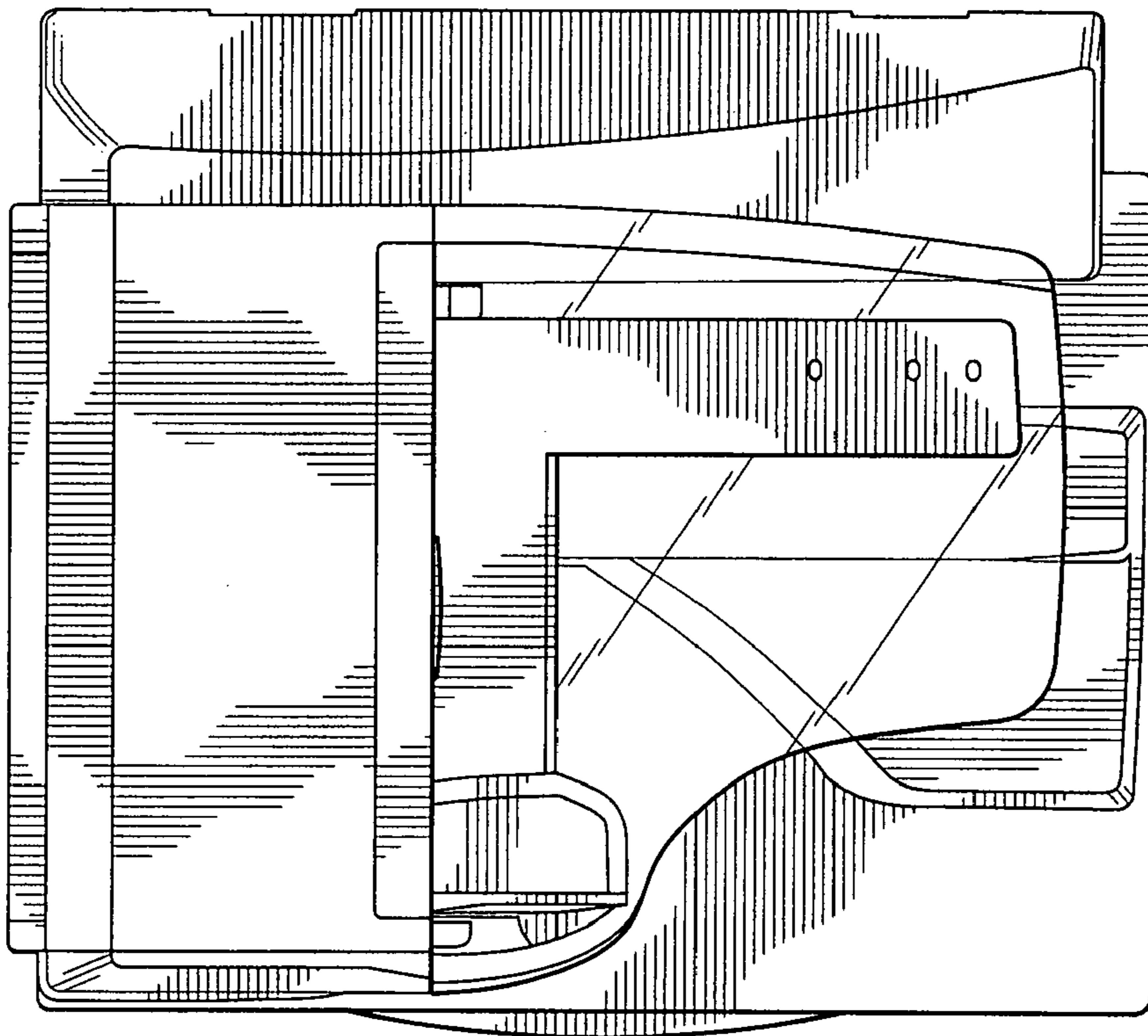


FIG. 3

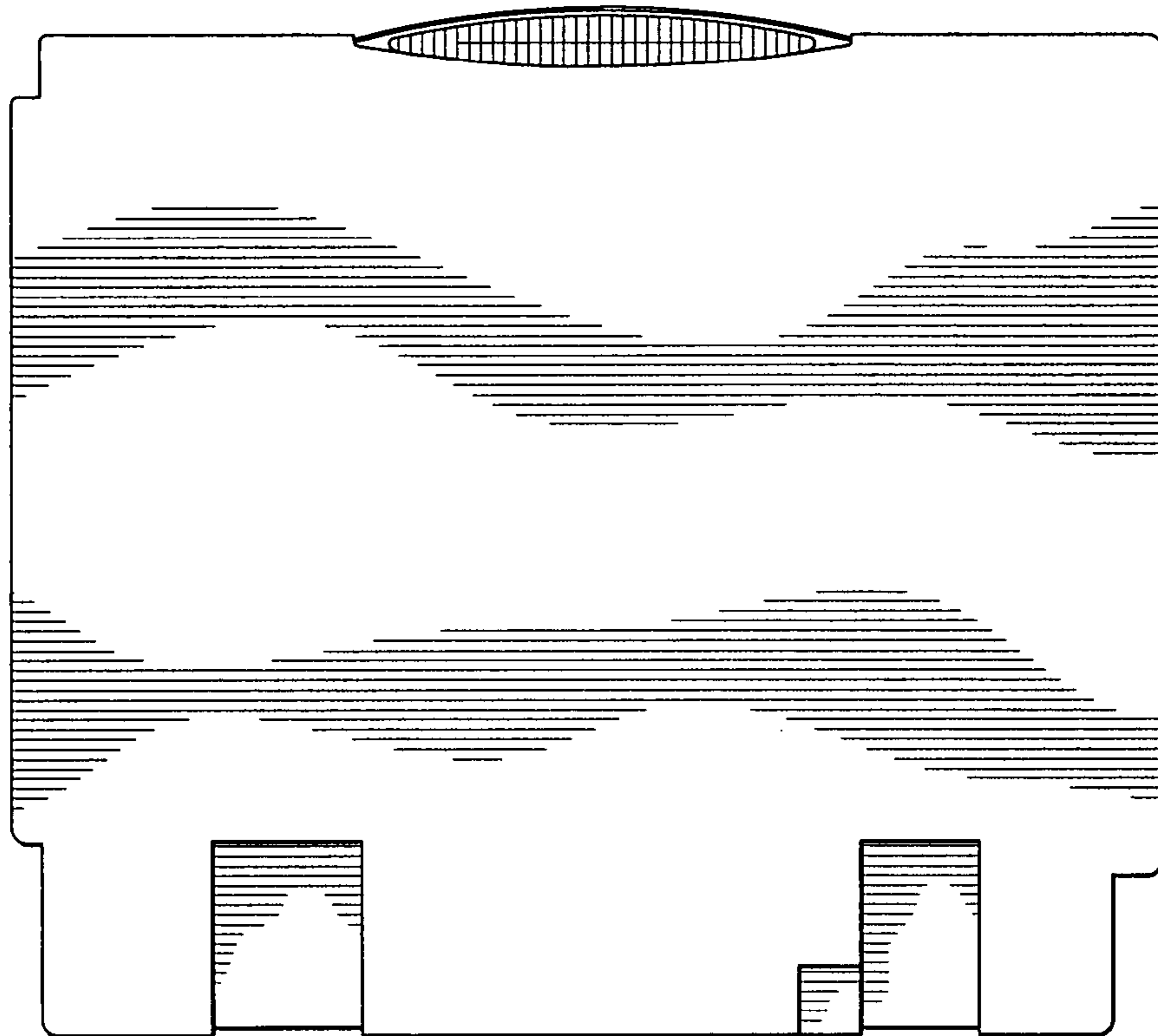


FIG. 4

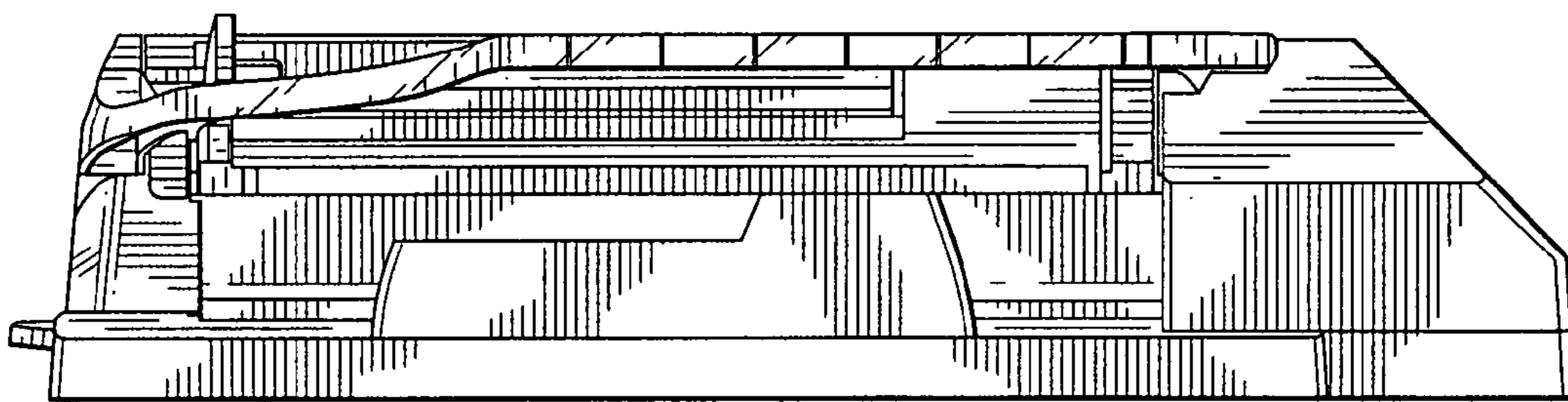


FIG. 5

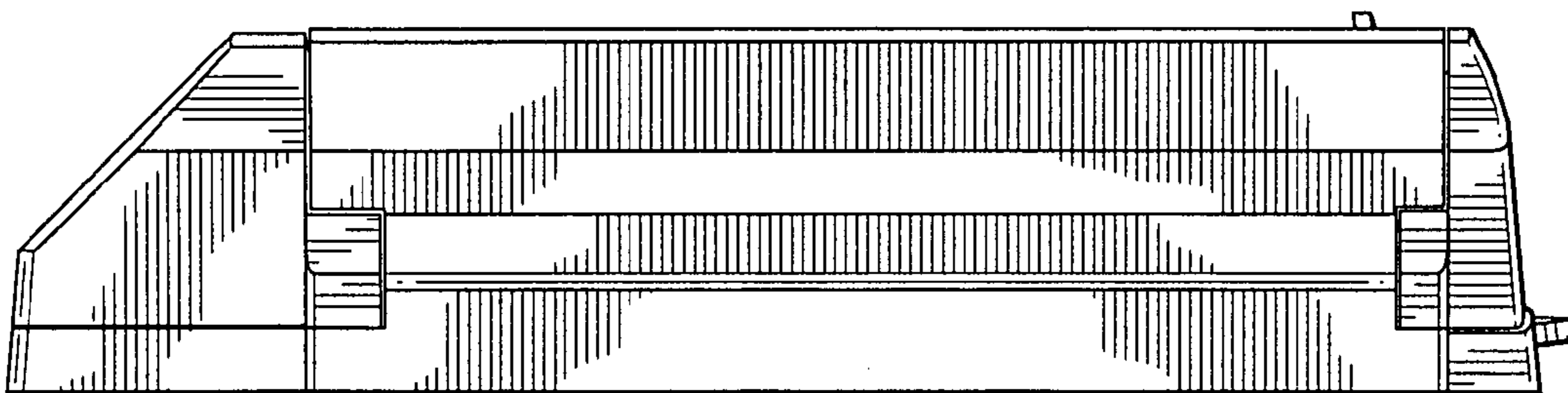


FIG. 6

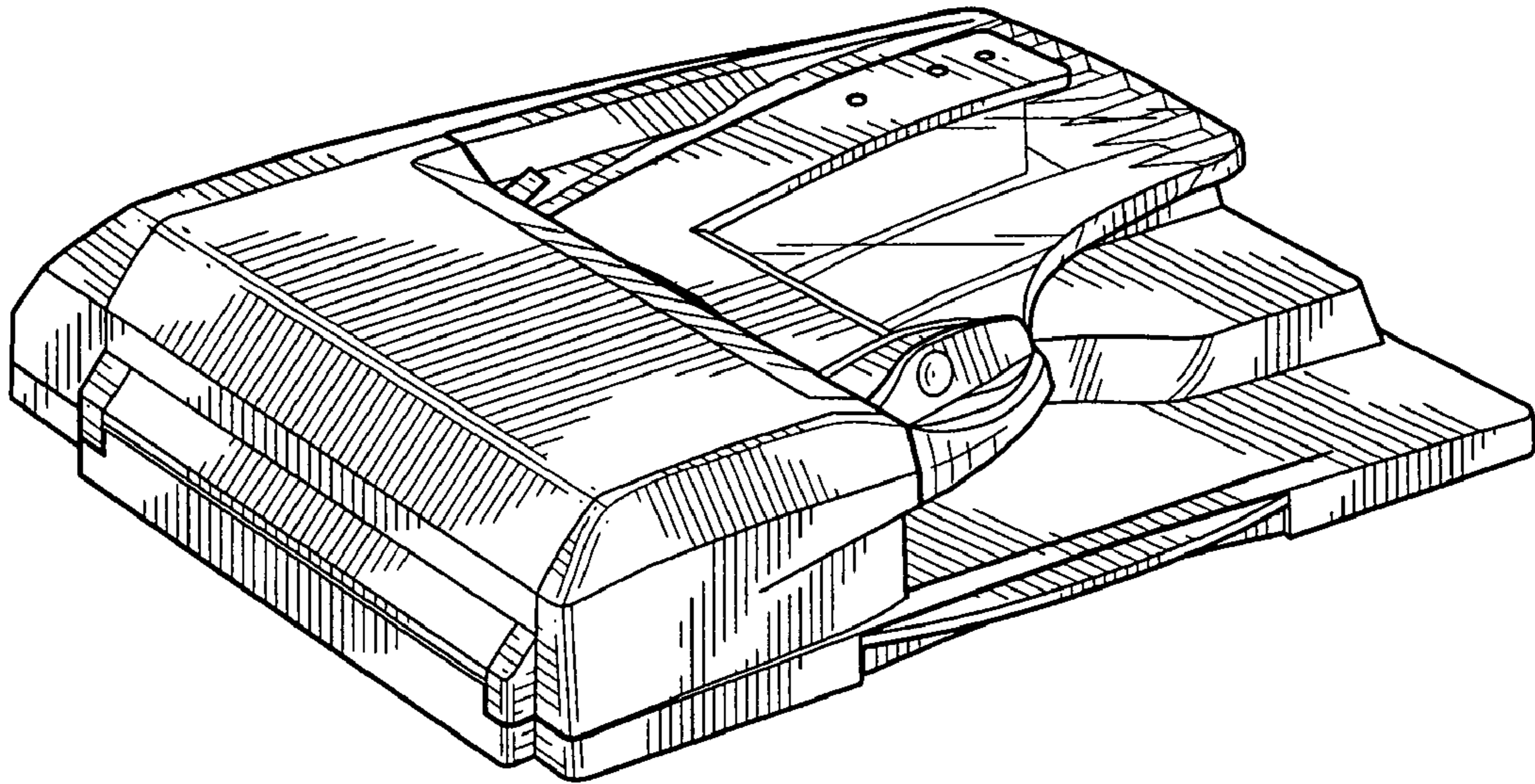


FIG. 7

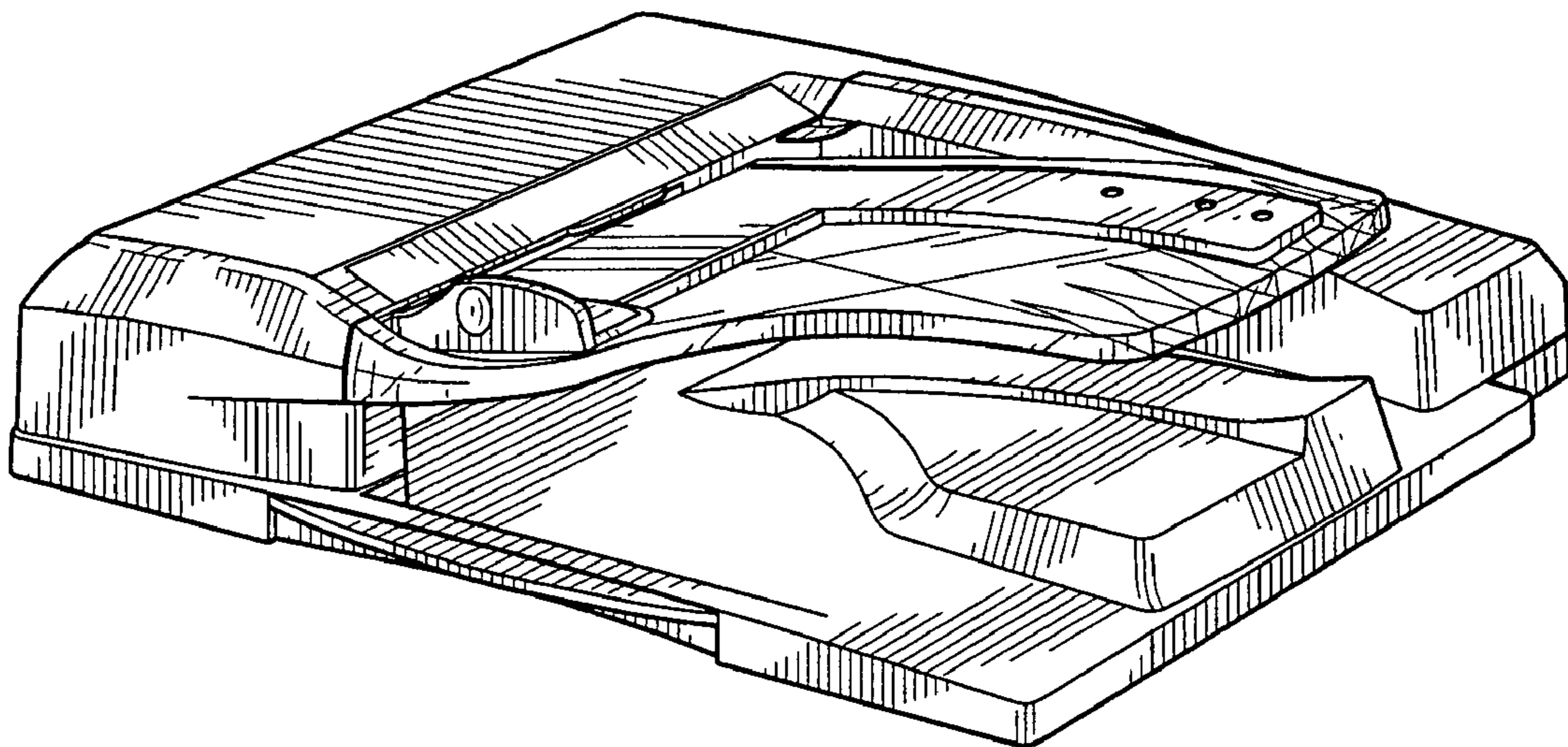


FIG. 8