



US00D559896S

(12) **United States Design Patent**
Sato

(10) **Patent No.:** **US D559,896 S**
(45) **Date of Patent:** **** Jan. 15, 2008**

(54) **PORTION OF A TONER CARTRIDGE**

JP 1230679 2/2005

(75) Inventor: **Tsutomu Sato**, Izunokuni (JP)

(73) Assignee: **Toshiba Tec Kabushiki Kaisha**, Tokyo (JP)

(**) Term: **14 Years**

(21) Appl. No.: **29/247,408**

(22) Filed: **Jun. 15, 2006**

(30) **Foreign Application Priority Data**

Dec. 16, 2005 (JP) 2005-037067

(51) **LOC (8) Cl.** **16-03**

(52) **U.S. Cl.** **D18/43**

(58) **Field of Classification Search** D14/462,
D14/469-471; D18/12, 46, 40, 43, 44, 56;
222/DIG. 1; 347/197, 222; 399/24-28,
399/107-112, 119, 121, 122, 222-224; 400/207,
400/208

See application file for complete search history.

(56) **References Cited**

U.S. PATENT DOCUMENTS

D423,561 S *	4/2000	Kita	D18/43
D442,624 S *	5/2001	Maeshima	D18/43
6,246,848 B1 *	6/2001	Morinaga et al.	399/106
D450,080 S *	11/2001	Ashikari	D18/40
D477,168 S *	7/2003	Greenspon	D18/43
D502,730 S *	3/2005	Miyagawa	D18/40
7,010,250 B1 *	3/2006	Yahagi	399/119
D524,848 S *	7/2006	Murata	D18/43
D524,849 S *	7/2006	Komai	D18/43
D525,289 S *	7/2006	Murata	D18/43
D529,946 S	10/2006	Amano	

FOREIGN PATENT DOCUMENTS

JP 1002216 7/2000

* cited by examiner

Primary Examiner—Robert M. Spear

Assistant Examiner—Garth Rademaker

(74) *Attorney, Agent, or Firm*—Hogan & Hartson LLP

(57) **CLAIM**

The ornamental design for a portion of a toner cartridge, as shown and described.

DESCRIPTION

FIG. 1 is a front, top and left side perspective view of a portion of a toner cartridge, showing my new design;

FIG. 2 is a rear, top and right side perspective view thereof;

FIG. 3 is a front, top and right side perspective view thereof;

FIG. 4 is a rear, top and left side perspective view thereof;

FIG. 5 is a front elevational view thereof;

FIG. 6 is a rear elevational view thereof;

FIG. 7 is a top plan view thereof;

FIG. 8 is a bottom plan view thereof;

FIG. 9 is a right side elevational view thereof, shown at an enlarged scale;

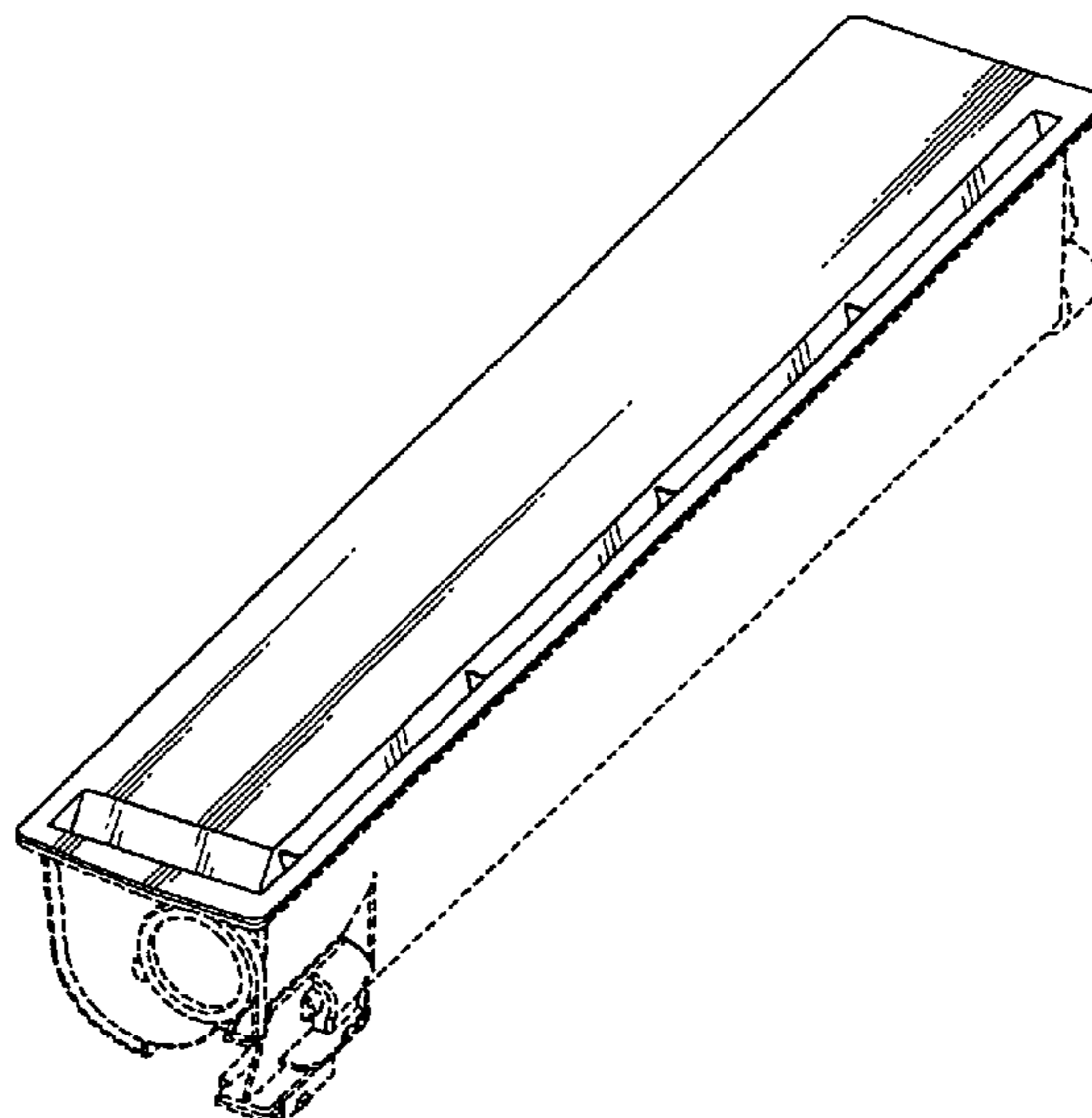
FIG. 10 is a left side elevational view thereof;

FIG. 11 is a cross-section view taken along line 11—11 in FIG. 5; and,

FIG. 12 is a cross-section view taken along line 12—12 and between lines 12a—12a and 12b—12b in FIG. 7.

The broken lines are for illustrative purposes only and form no part of the claimed design.

1 Claim, 5 Drawing Sheets



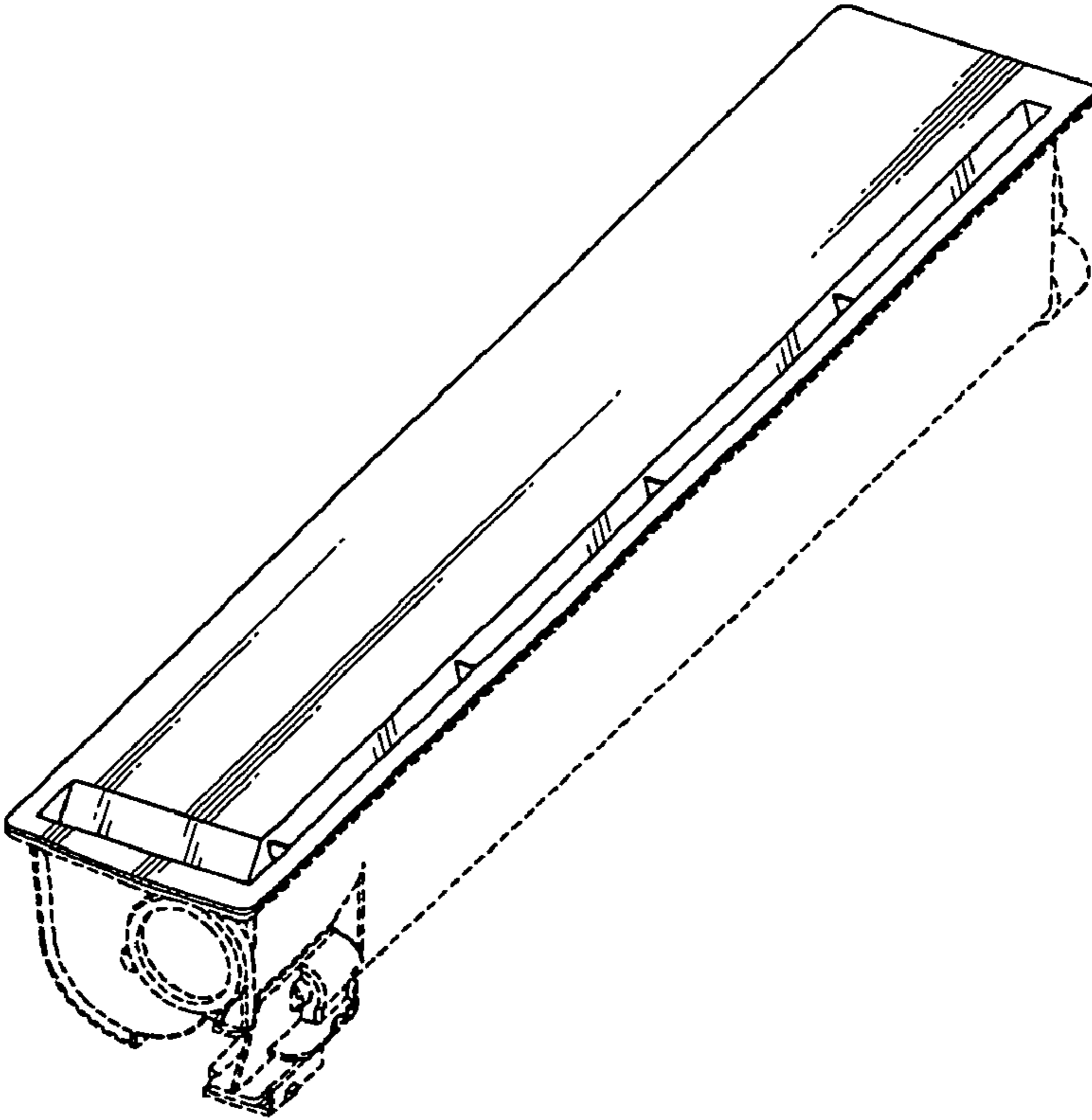


FIG. 1

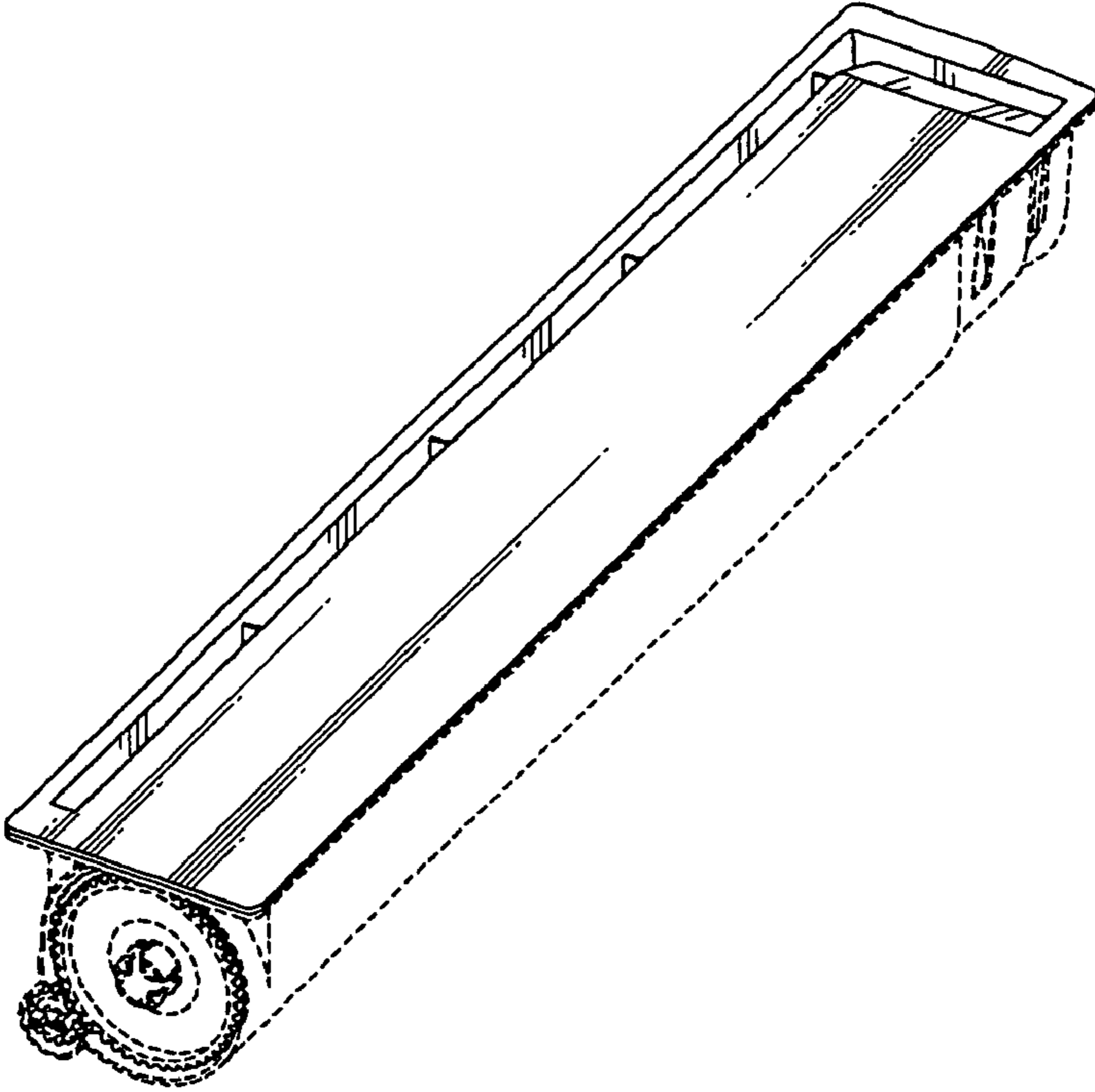


FIG. 2

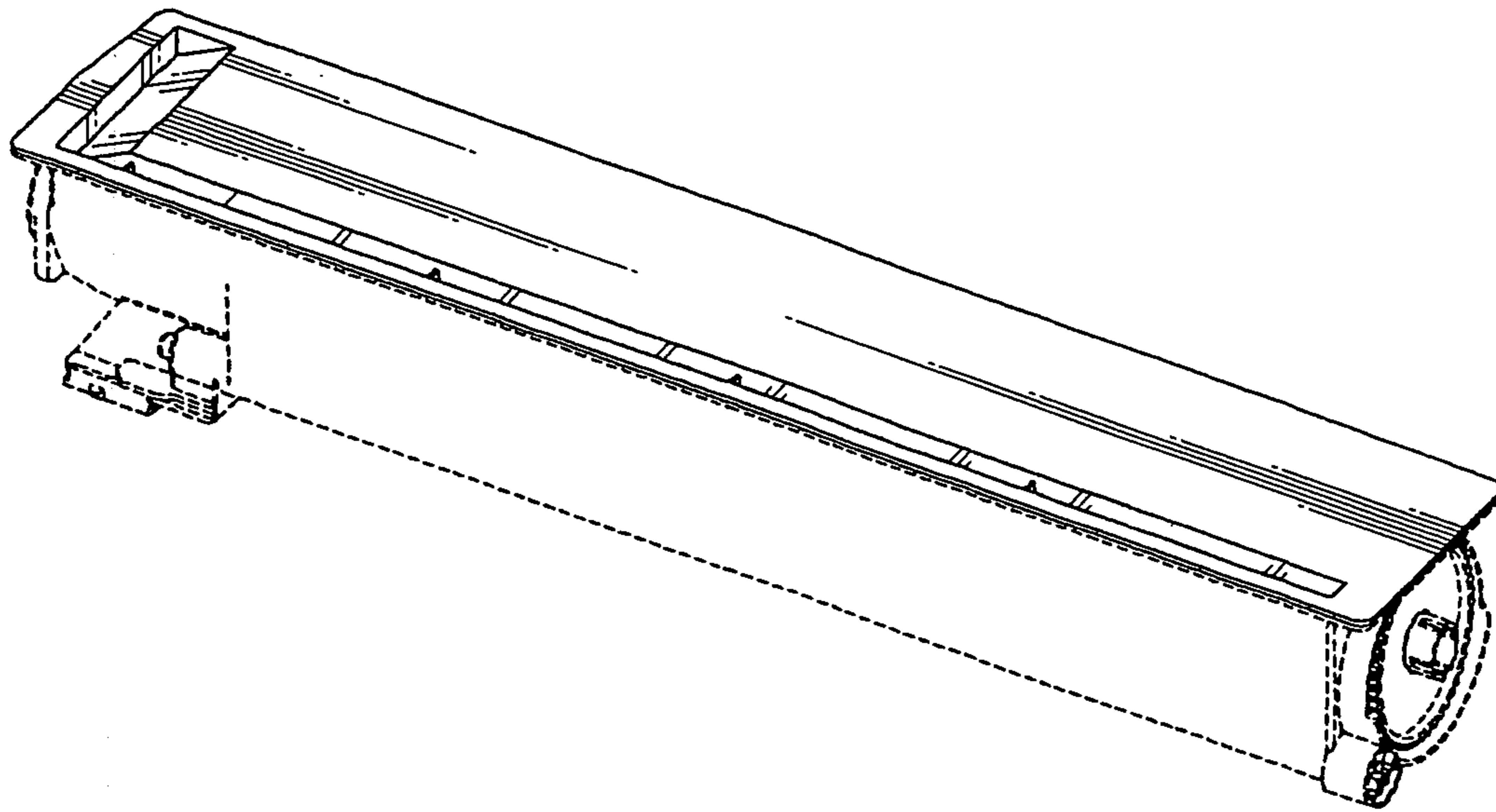


FIG. 3

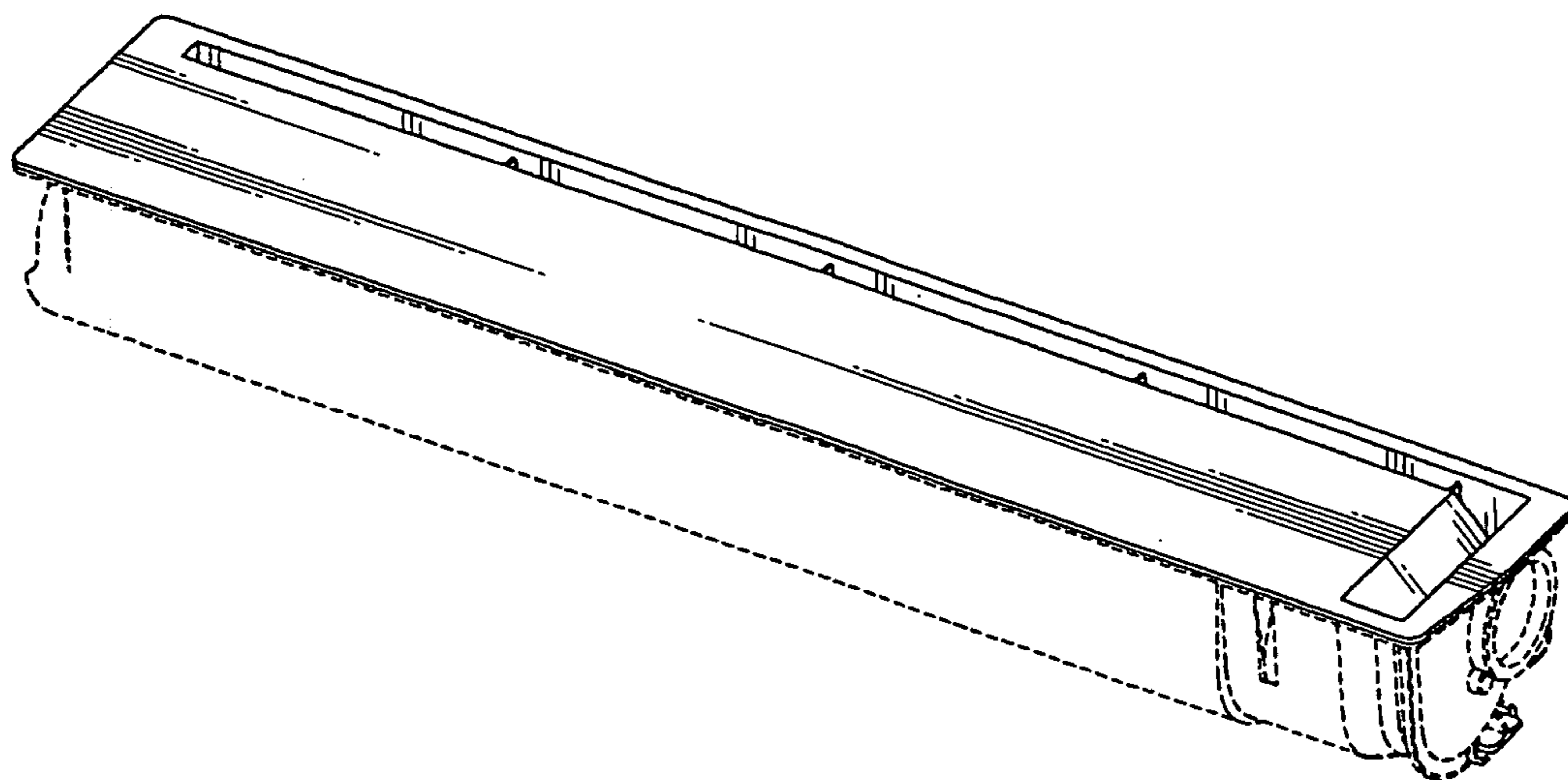
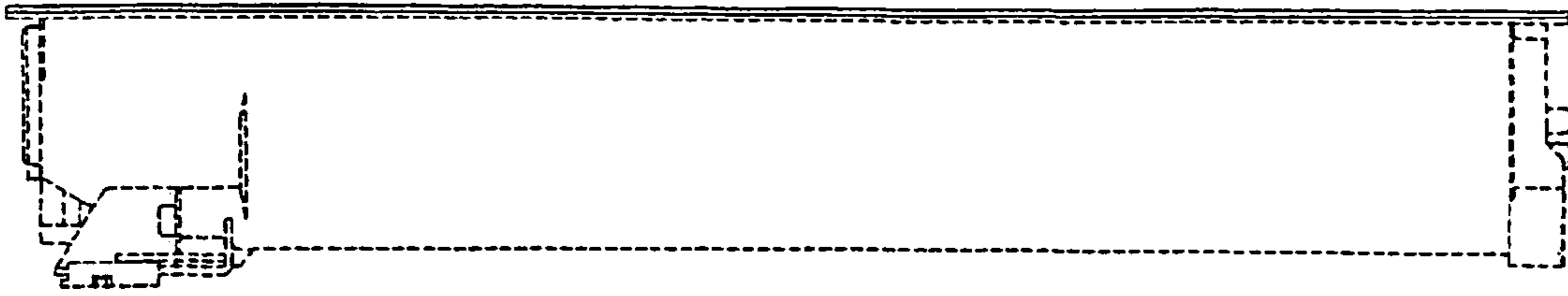


FIG. 4

→ 13



→ 13

FIG. 5

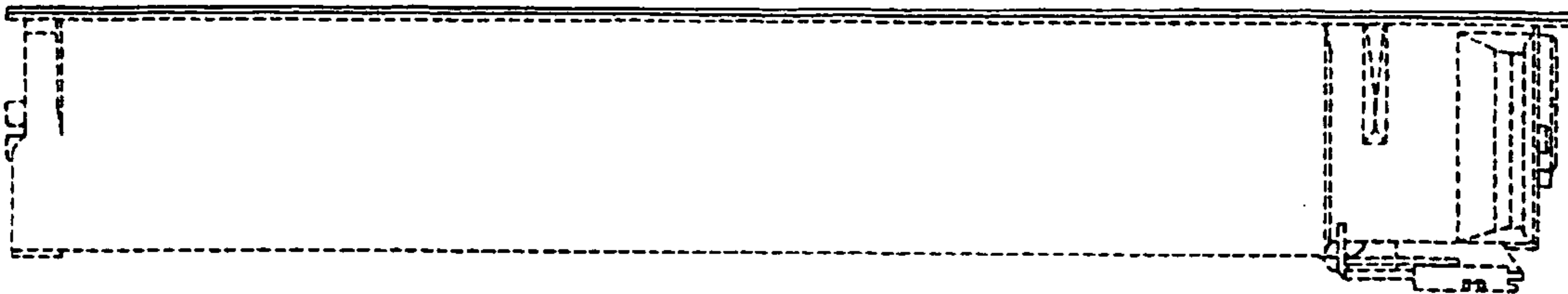


FIG. 6

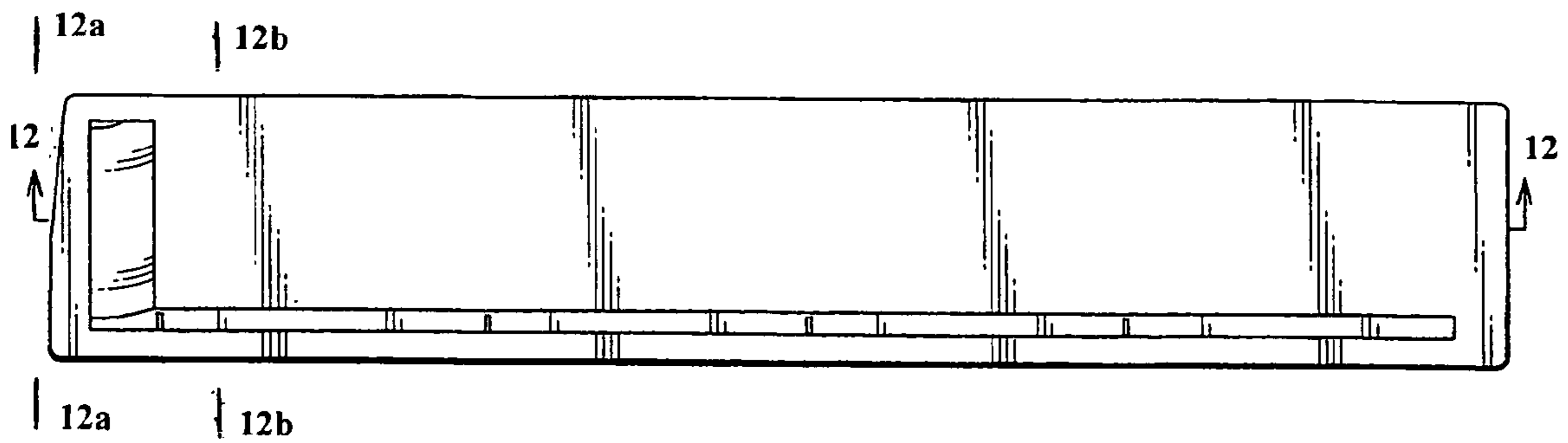


FIG. 7

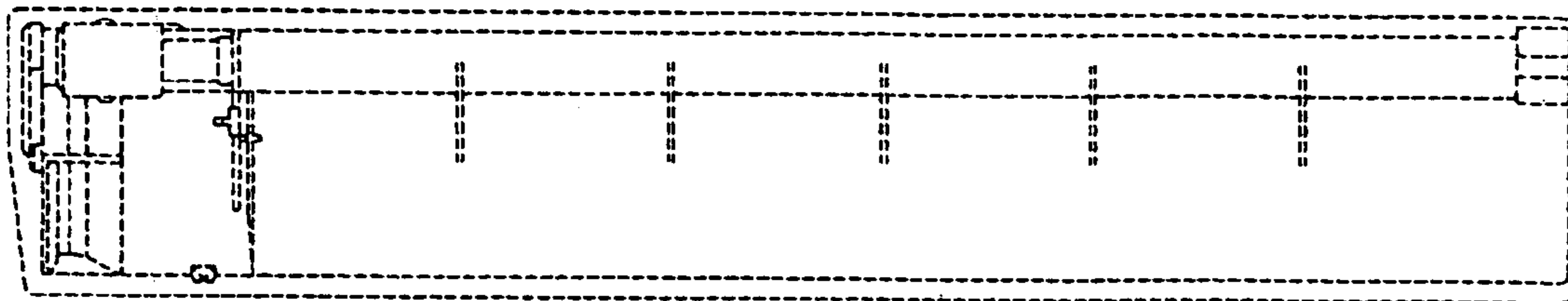


FIG. 8

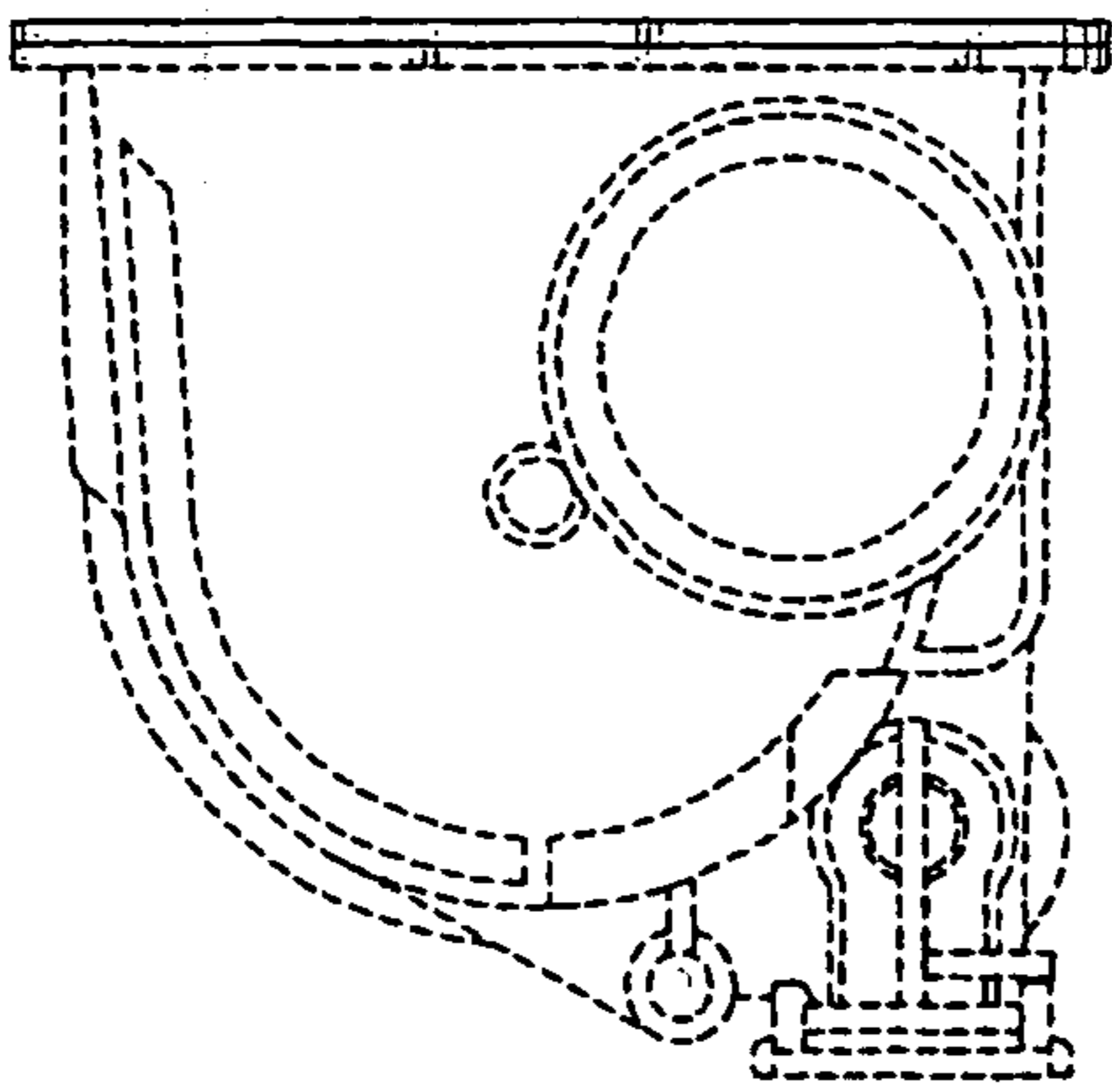


FIG. 10

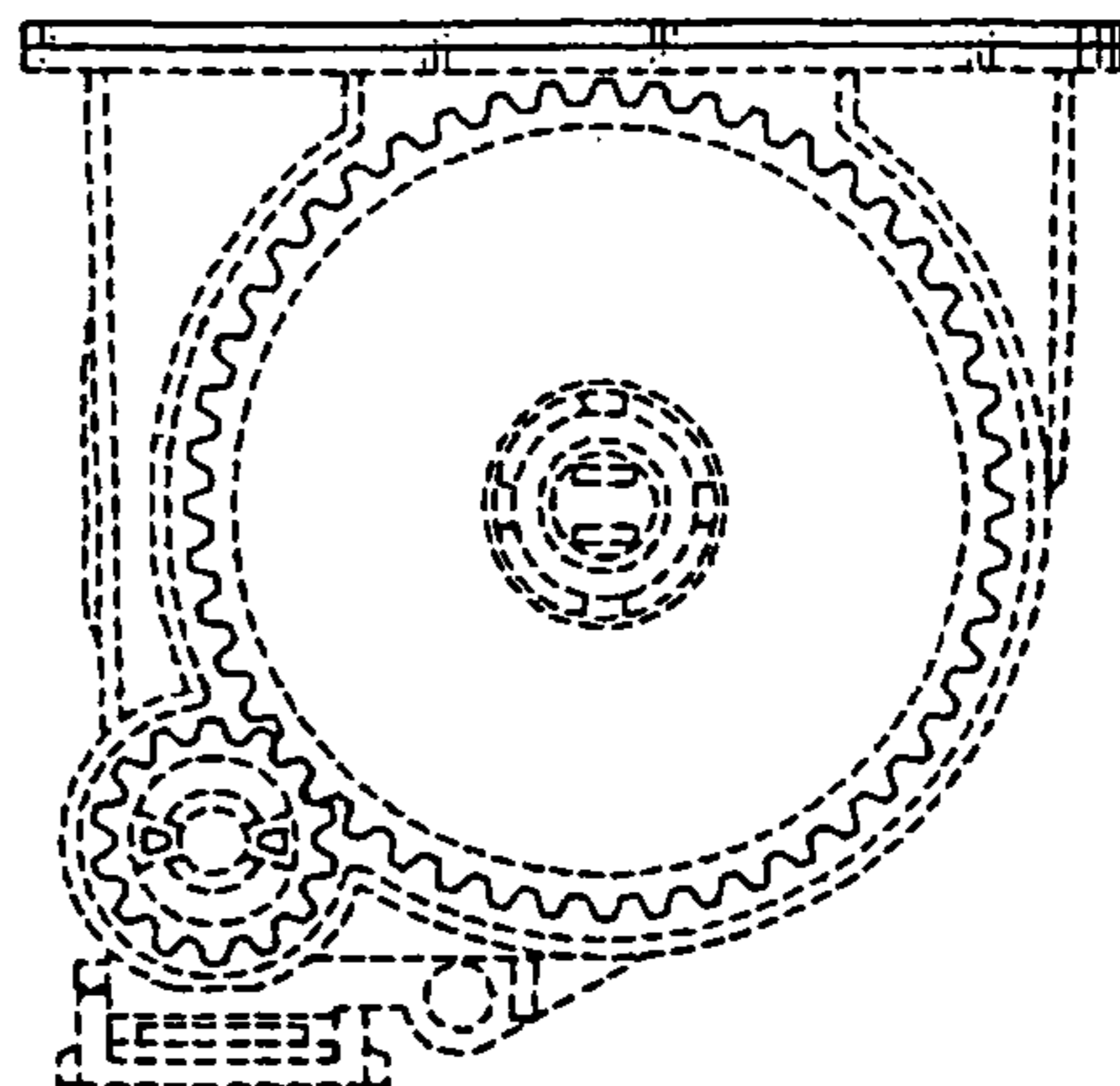


FIG. 9

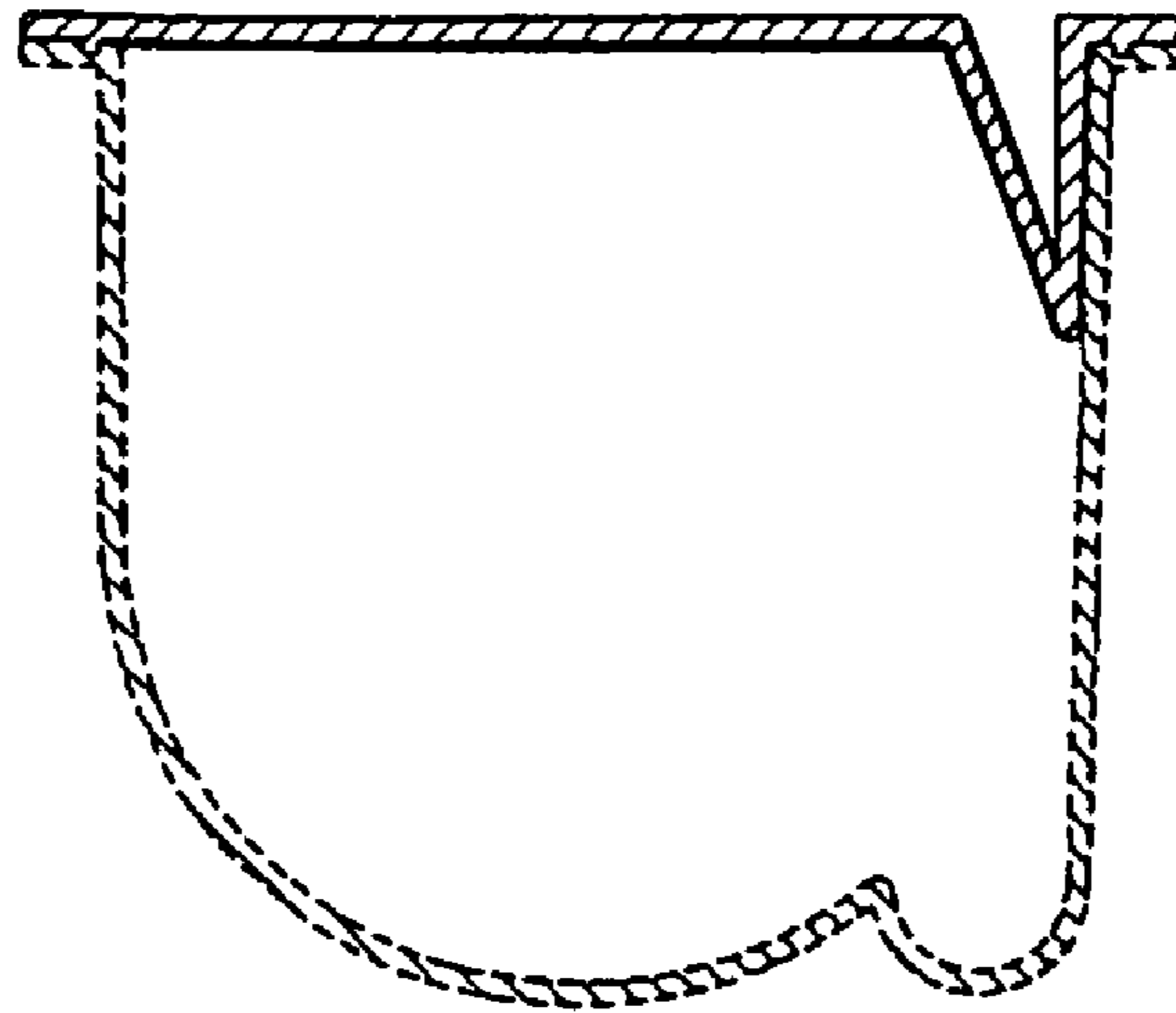


FIG. 11

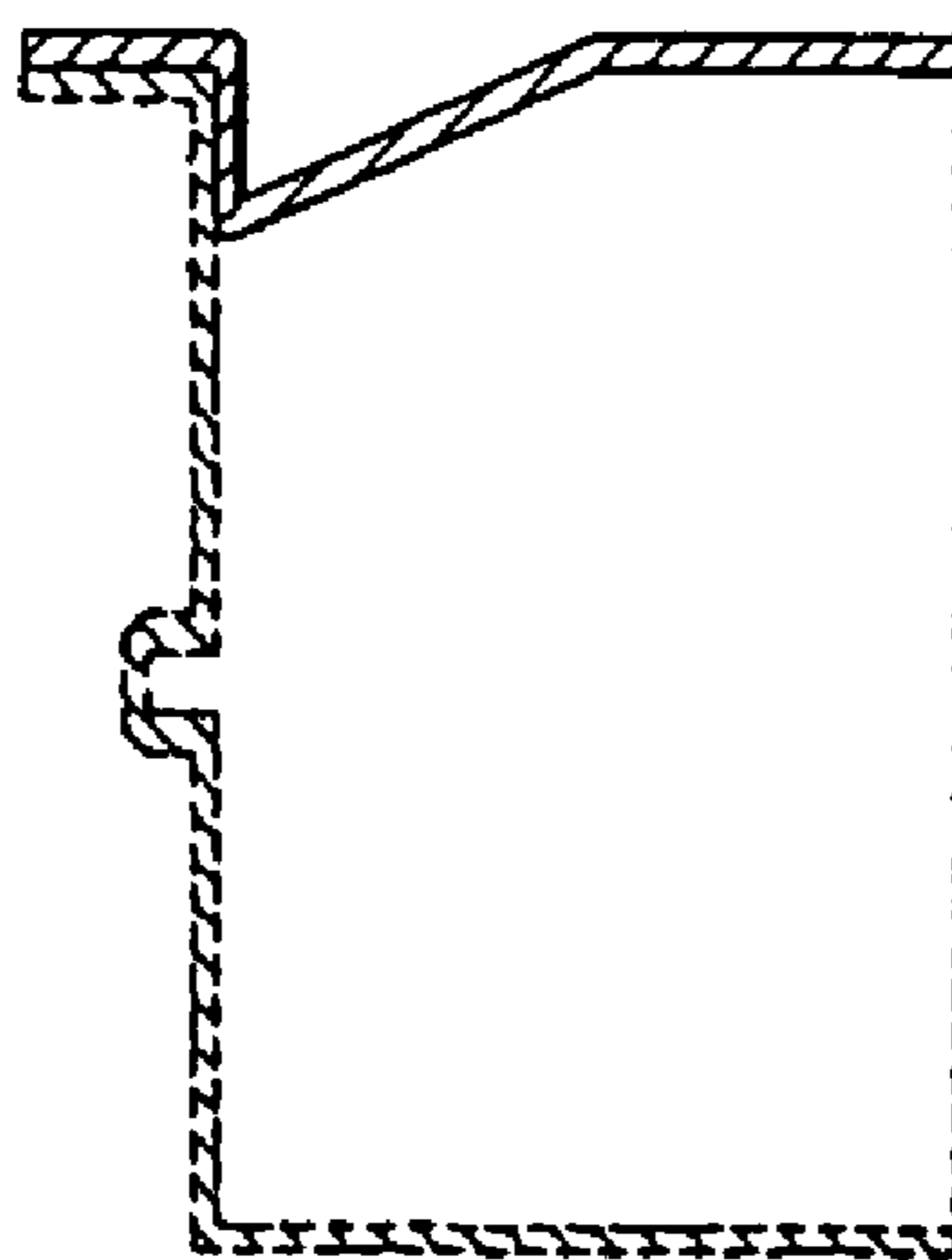


FIG. 12