



US00D559895S

(12) **United States Design Patent**
Sato

(10) **Patent No.:** **US D559,895 S**

(45) **Date of Patent:** **** Jan. 15, 2008**

(54) **TONER CARTRIDGE**

(75) Inventor: **Tsutomu Sato**, Izunokuni (JP)

(73) Assignee: **Toshiba Tec Kabushiki Kaisha**, Tokyo (JP)

(**) Term: **14 Years**

(21) Appl. No.: **29/247,406**

(22) Filed: **Jun. 15, 2006**

(30) **Foreign Application Priority Data**

Dec. 16, 2005 (JP) 2005-037066

(51) **LOC (8) Cl.** **16-03**

(52) **U.S. Cl.** **D18/43**

(58) **Field of Classification Search** D14/462,
D14/469-471; D18/12, 46, 40, 43, 44, 56;
222/DIG. 1; 347/197, 222; 399/24-28,
399/107-112, 119, 121, 122, 222-224; 400/207,
400/208

See application file for complete search history.

(56) **References Cited**

U.S. PATENT DOCUMENTS

D423,561 S *	4/2000	Kita	D18/43
D442,624 S *	5/2001	Maeshima	D18/43
6,246,848 B1 *	6/2001	Morinaga et al.	399/106
D447,168 S *	8/2001	Nishimura	D18/43
D450,080 S *	11/2001	Ashikari	D18/40
D502,730 S *	3/2005	Miyagawa	D18/40
7,010,250 B1 *	3/2006	Yahagi	399/119
D524,848 S *	7/2006	Murata	D18/43

D524,849 S *	7/2006	Komai	D18/43
D525,289 S *	7/2006	Murata	D18/43
D529,946 S	10/2006	Amano		

FOREIGN PATENT DOCUMENTS

JP	1002216	7/2000
JP	1230679	2/2005

* cited by examiner

Primary Examiner—Robert M. Spear
Assistant Examiner—Garth Rademaker

(74) *Attorney, Agent, or Firm*—Hogan & Hartson LLP

(57) **CLAIM**

The ornamental design for a toner cartridge, as shown and described.

DESCRIPTION

FIG. 1 is a front, top and left side perspective view of a toner cartridge, showing my new design;

FIG. 2 is a rear, top and right side perspective view thereof;

FIG. 3 is a front, top and right side perspective view thereof;

FIG. 4 is a rear, top and left side perspective view thereof;

FIG. 5 is a front elevational view thereof;

FIG. 6 is a rear elevational view thereof;

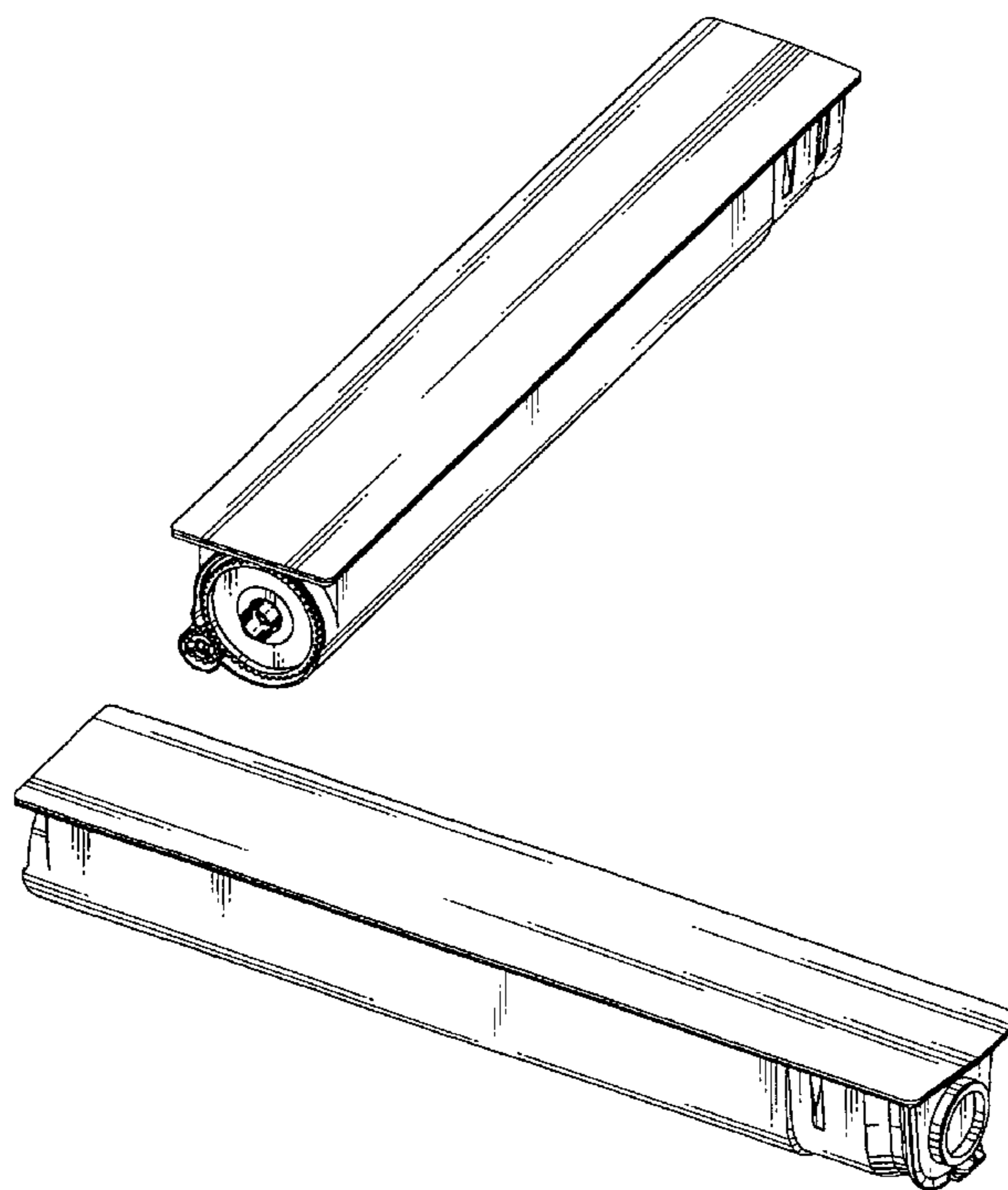
FIG. 7 is a top plan view thereof;

FIG. 8 is a bottom plan view thereof;

FIG. 9 is a right side elevational view thereof, shown at an enlarged scale; and,

FIG. 10 is a left side elevational view thereof.

1 Claim, 4 Drawing Sheets



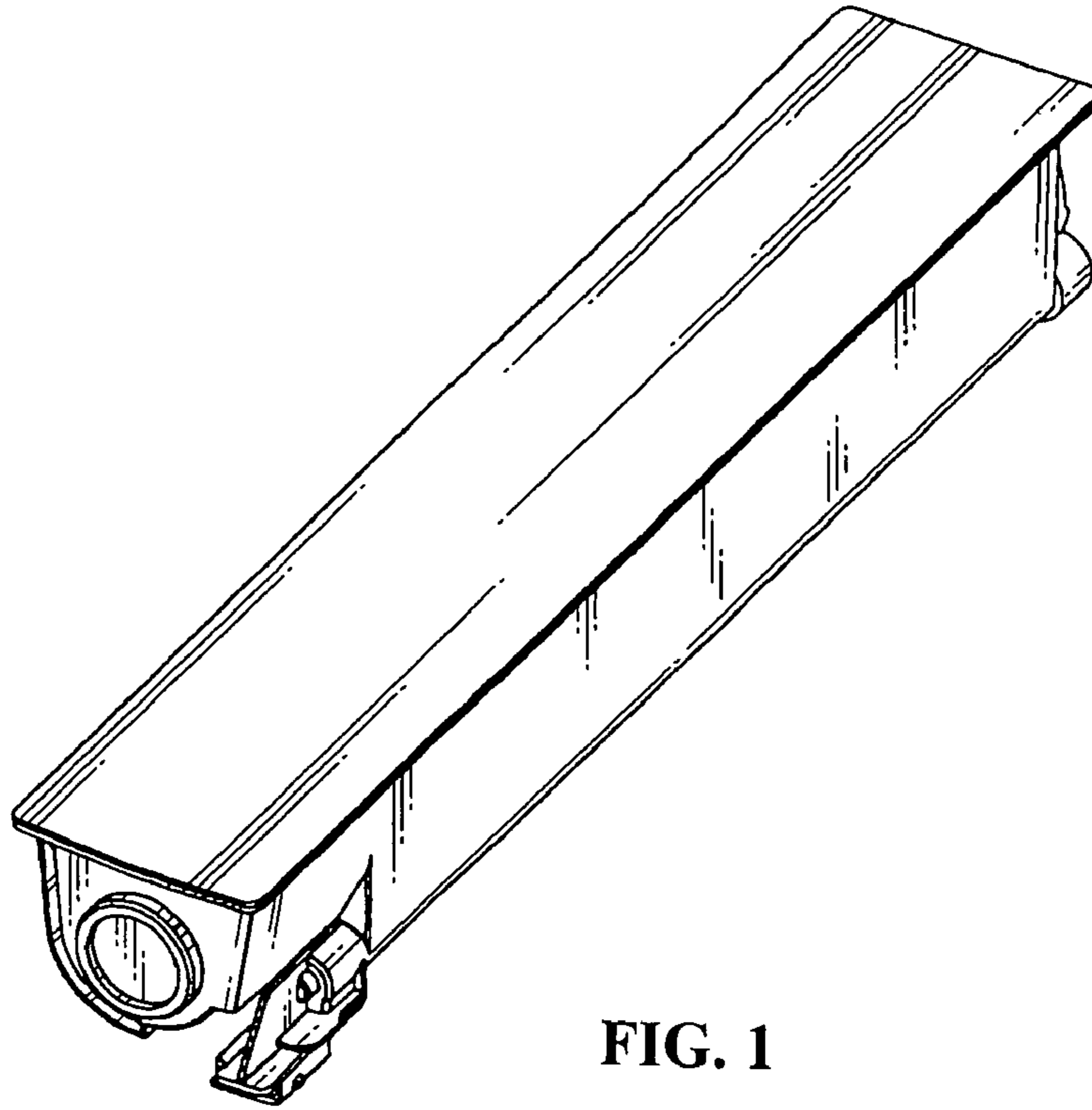


FIG. 1

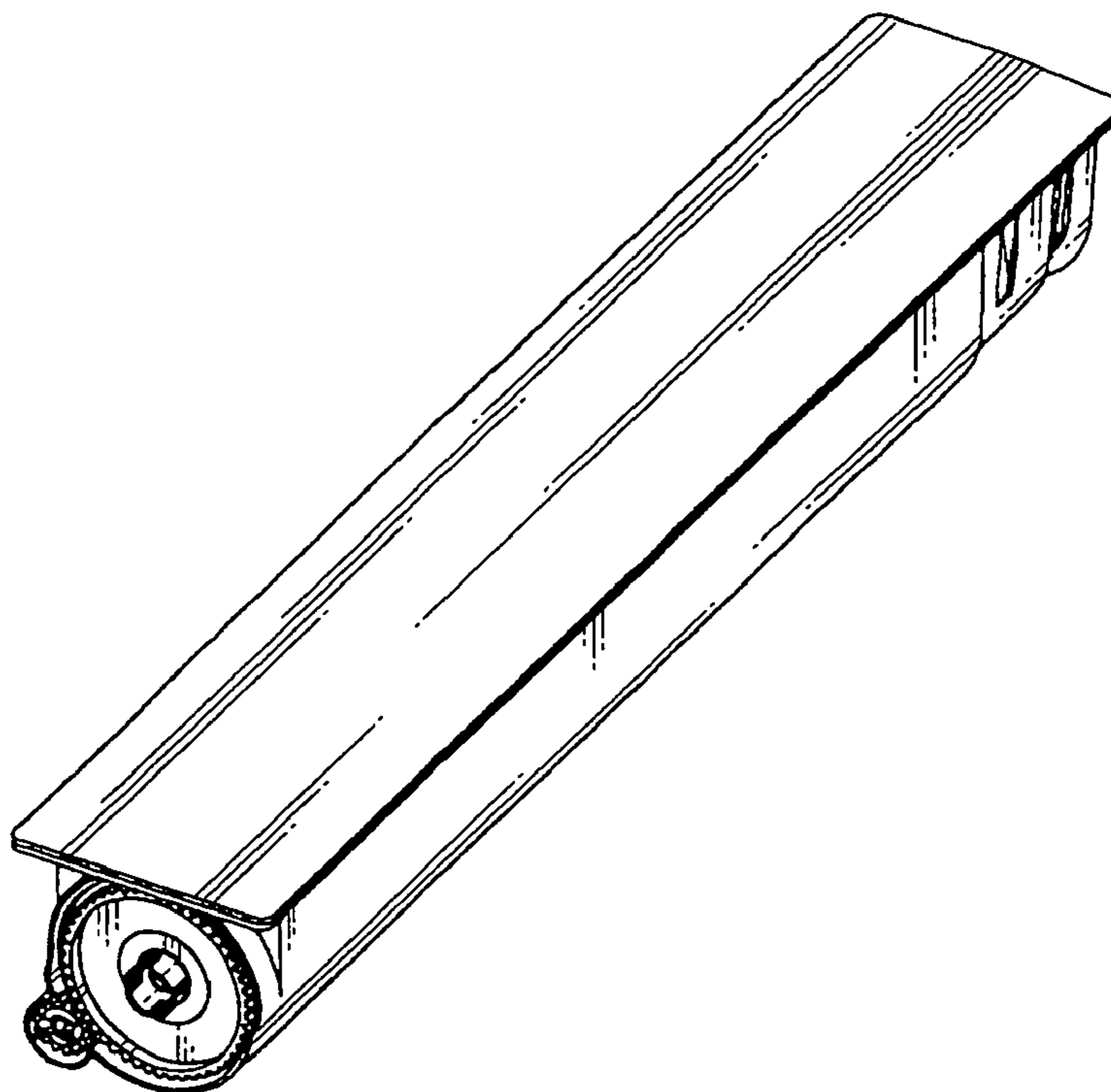


FIG. 2

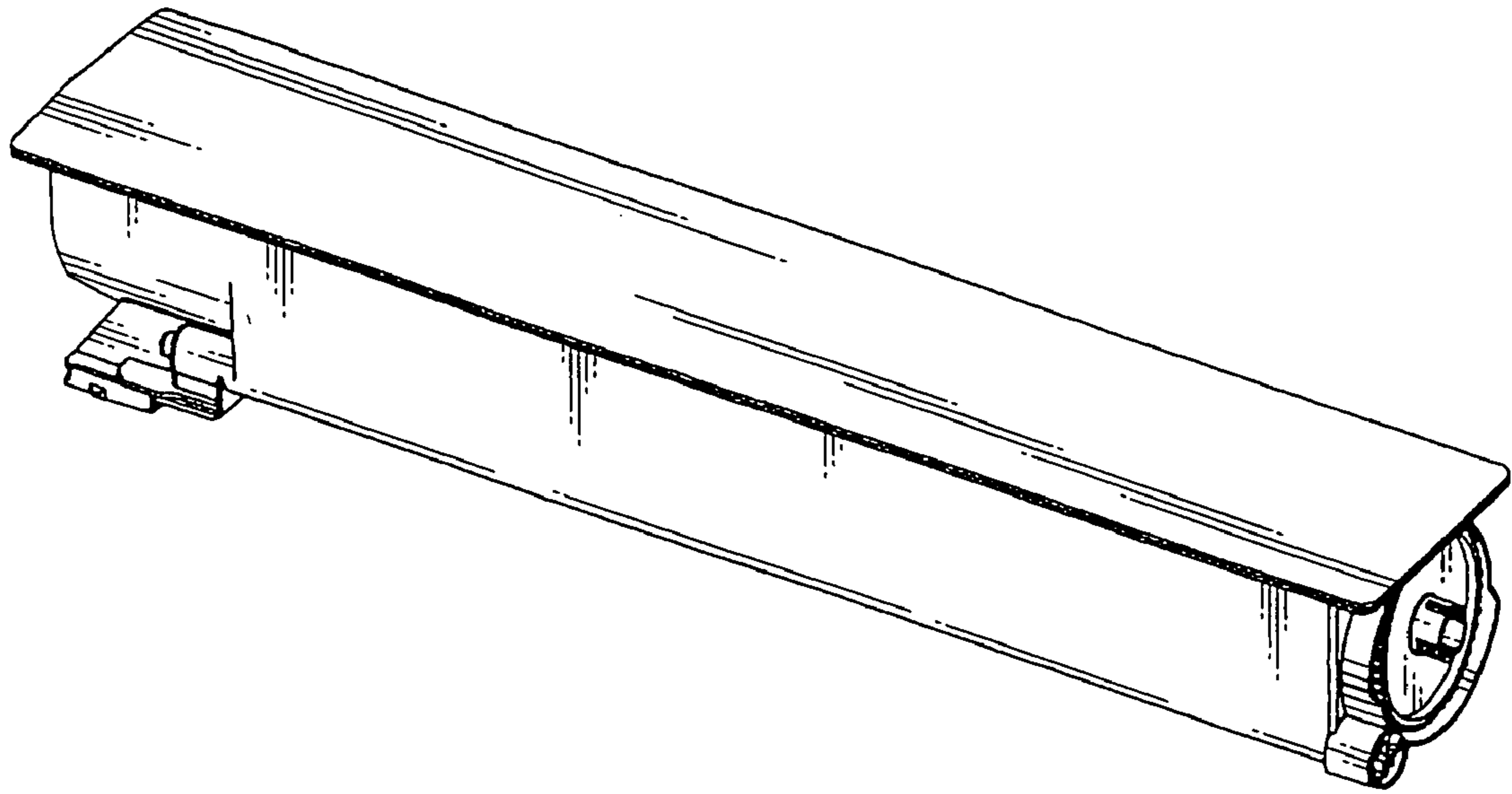


FIG. 3

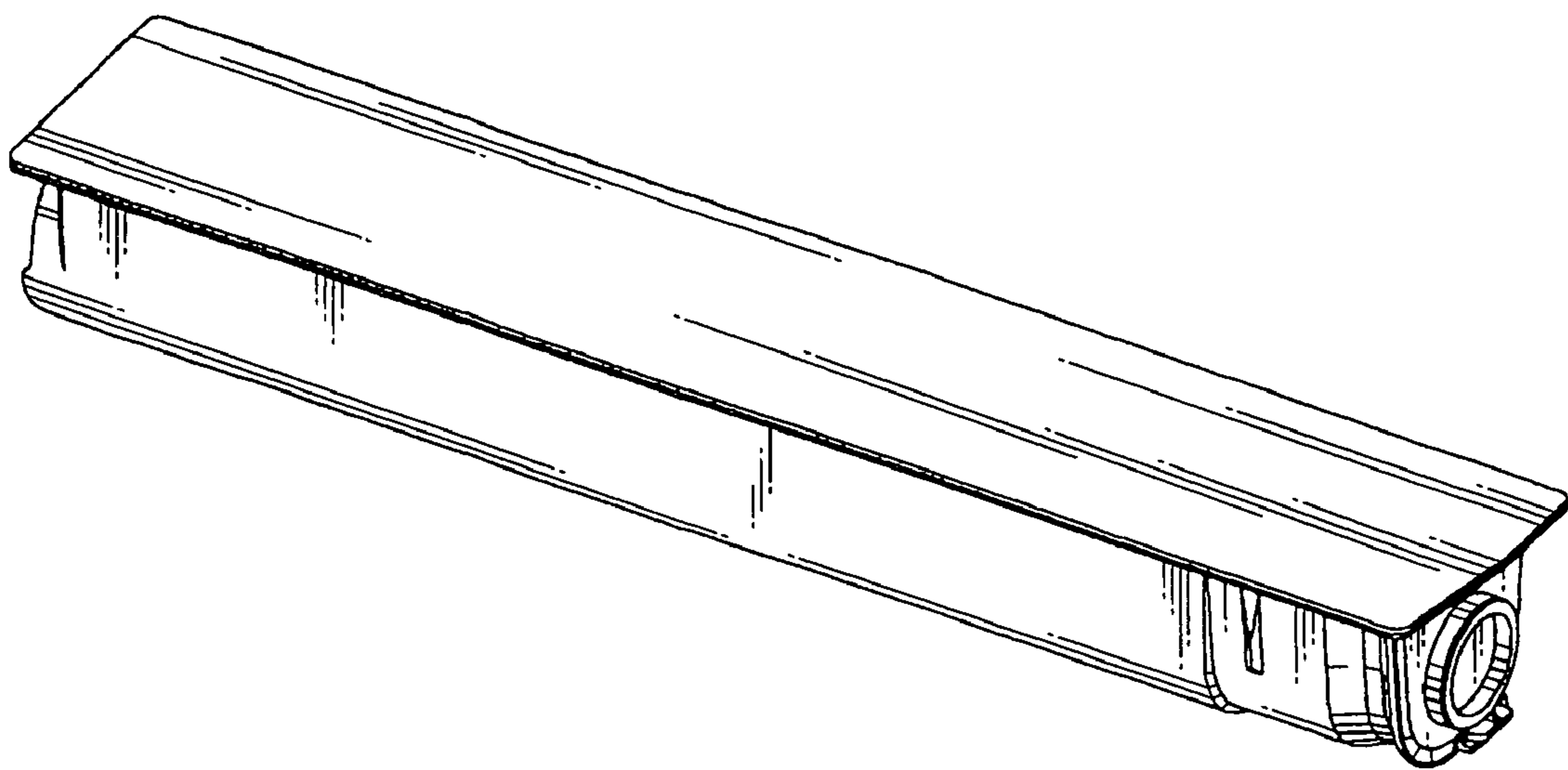


FIG. 4

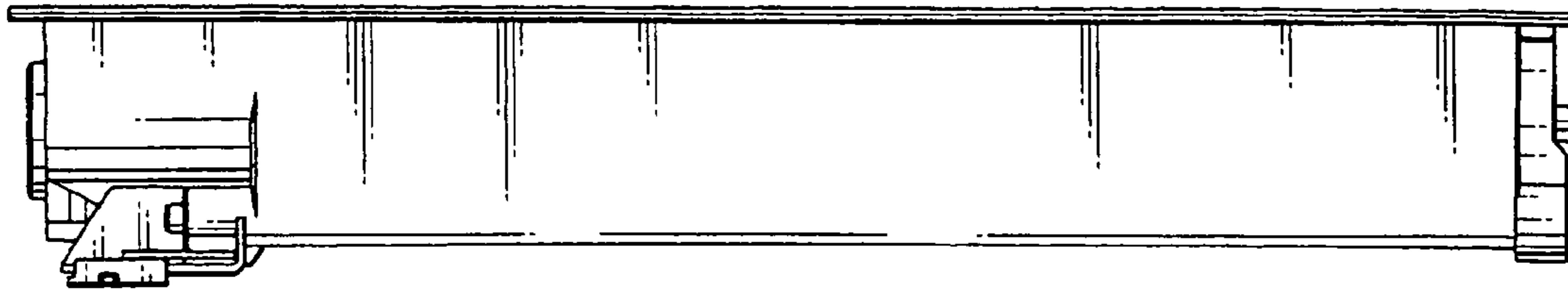


FIG. 5

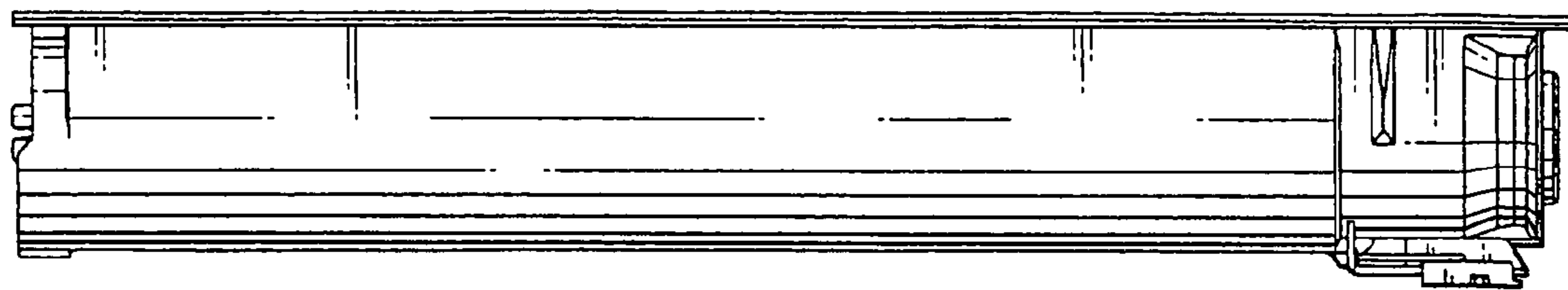


FIG. 6

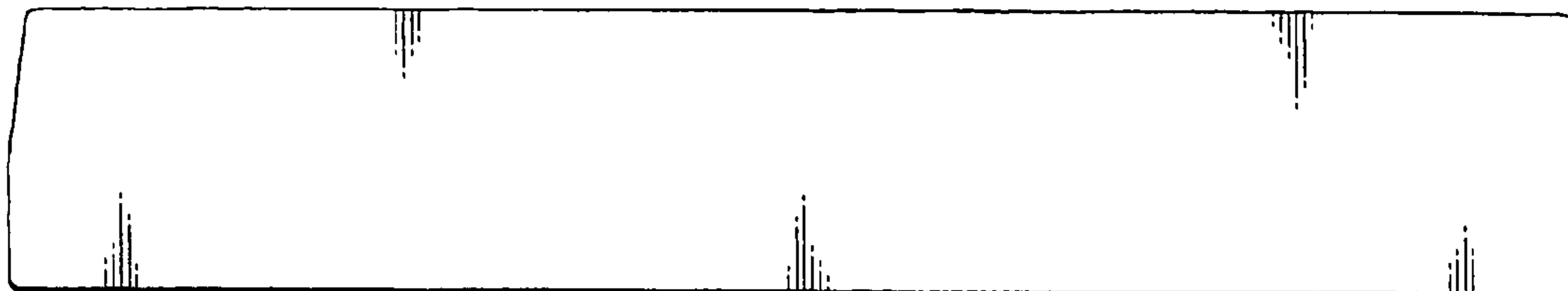


FIG. 7

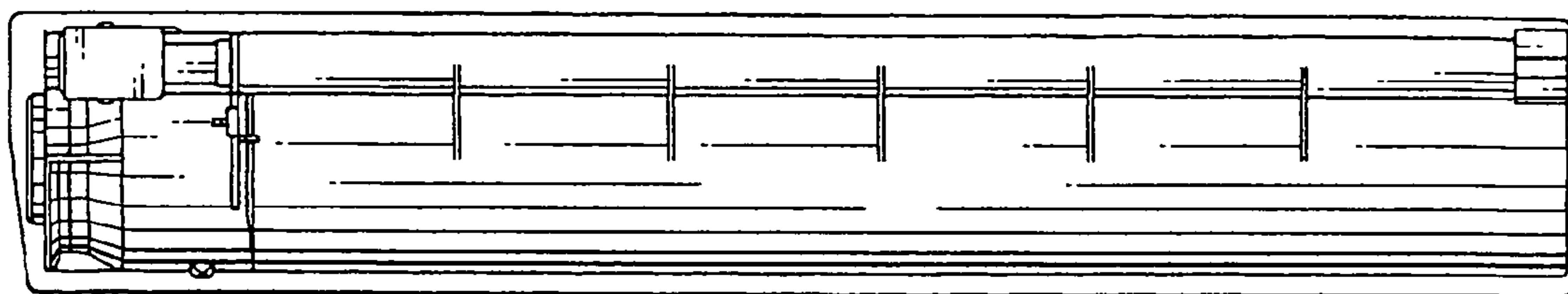


FIG. 8

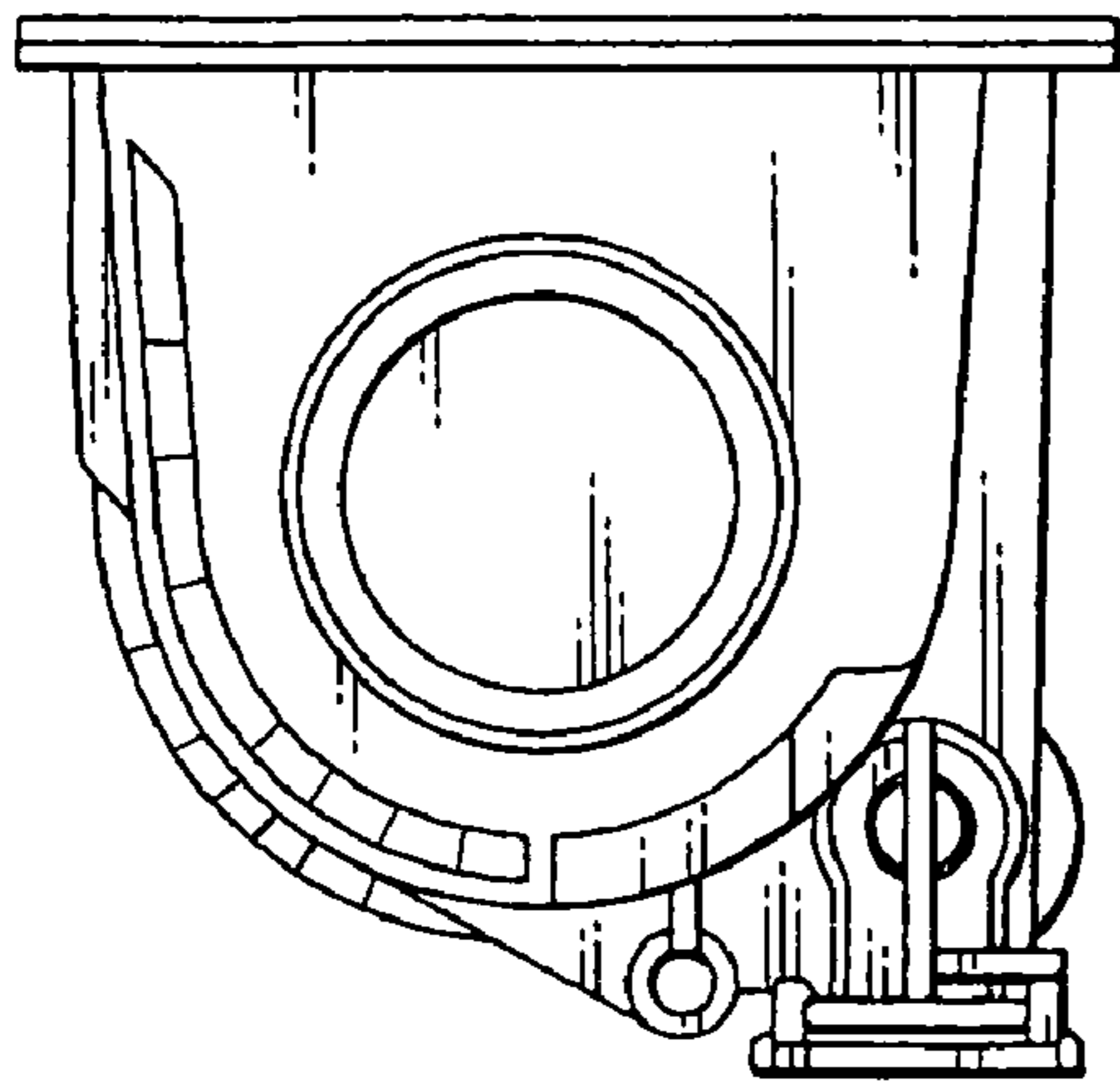


FIG. 10

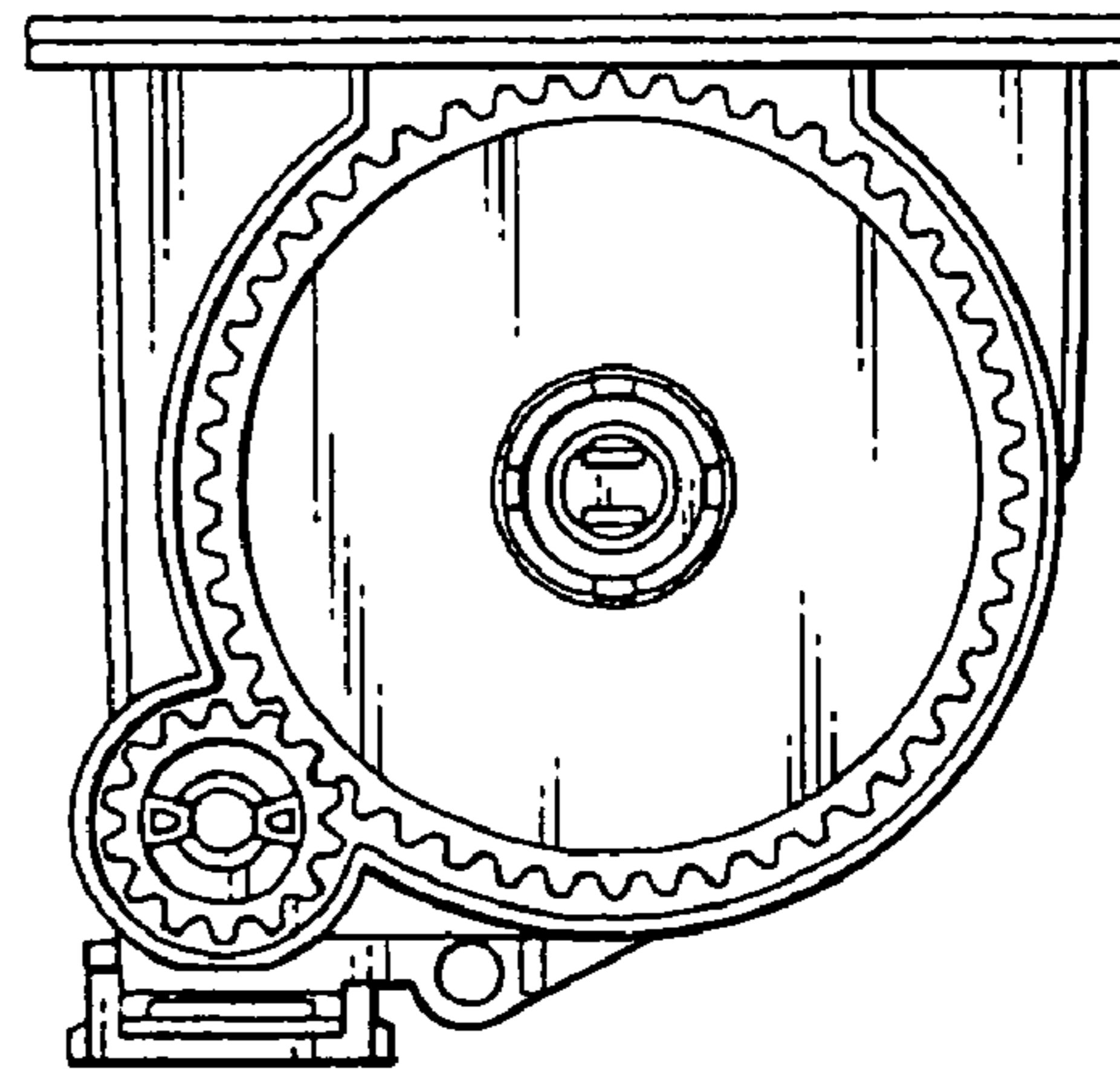


FIG. 9