



US00D559894S

(12) **United States Design Patent**  
**Sato**

(10) **Patent No.:** **US D559,894 S**  
(45) **Date of Patent:** **\*\* Jan. 15, 2008**

(54) **TONER CARTRIDGE**

(75) Inventor: **Tsutomu Sato**, Izunokuni (JP)

(73) Assignee: **Toshiba Tec Kabushiki Kaisha**, Tokyo (JP)

(\*\*) Term: **14 Years**

(21) Appl. No.: **29/247,404**

(22) Filed: **Jun. 15, 2006**

(30) **Foreign Application Priority Data**

Dec. 16, 2005 (JP) ..... 2005-037054

(51) **LOC (8) Cl.** ..... **16-03**

(52) **U.S. Cl.** ..... **D18/43**

(58) **Field of Classification Search** ..... D14/462,  
D14/469-471; D18/12, 46, 40, 43, 44, 56;  
222/DIG. 1; 347/197, 222; 399/24-28,  
399/107-112, 119, 121, 122, 222-224; 400/207,  
400/208

See application file for complete search history.

(56) **References Cited**

**U.S. PATENT DOCUMENTS**

- D423,561 S \* 4/2000 Kita ..... D18/43
- D442,624 S \* 5/2001 Maeshima ..... D18/43
- 6,246,848 B1 \* 6/2001 Morinaga et al. .... 399/106
- D447,168 S \* 8/2001 Nishimura ..... D18/43
- D450,080 S \* 11/2001 Ashikari ..... D18/40
- D502,730 S \* 3/2005 Miyagawa ..... D18/40
- 7,010,250 B1 \* 3/2006 Yahagi ..... 399/119
- D524,848 S \* 7/2006 Murata ..... D18/43

- D524,849 S \* 7/2006 Komai ..... D18/43
- D525,289 S \* 7/2006 Murata ..... D18/43
- D529,946 S 10/2006 Amano

**FOREIGN PATENT DOCUMENTS**

- JP 1002216-1 7/2000
- JP 1230679 2/2005

\* cited by examiner

*Primary Examiner*—Robert M. Spear

*Assistant Examiner*—Garth Rademaker

(74) *Attorney, Agent, or Firm*—Hogan & Hartson LLP

(57) **CLAIM**

The ornamental design for a toner cartridge, as shown and described.

**DESCRIPTION**

FIG. 1 is a front, top and left side perspective view of a toner cartridge, showing my new design;

FIG. 2 is a rear, top and right side perspective view thereof;

FIG. 3 is a front, top and right side perspective view thereof;

FIG. 4 is a rear, top and left side perspective view thereof;

FIG. 5 is a front elevational view thereof;

FIG. 6 is a rear elevational view thereof;

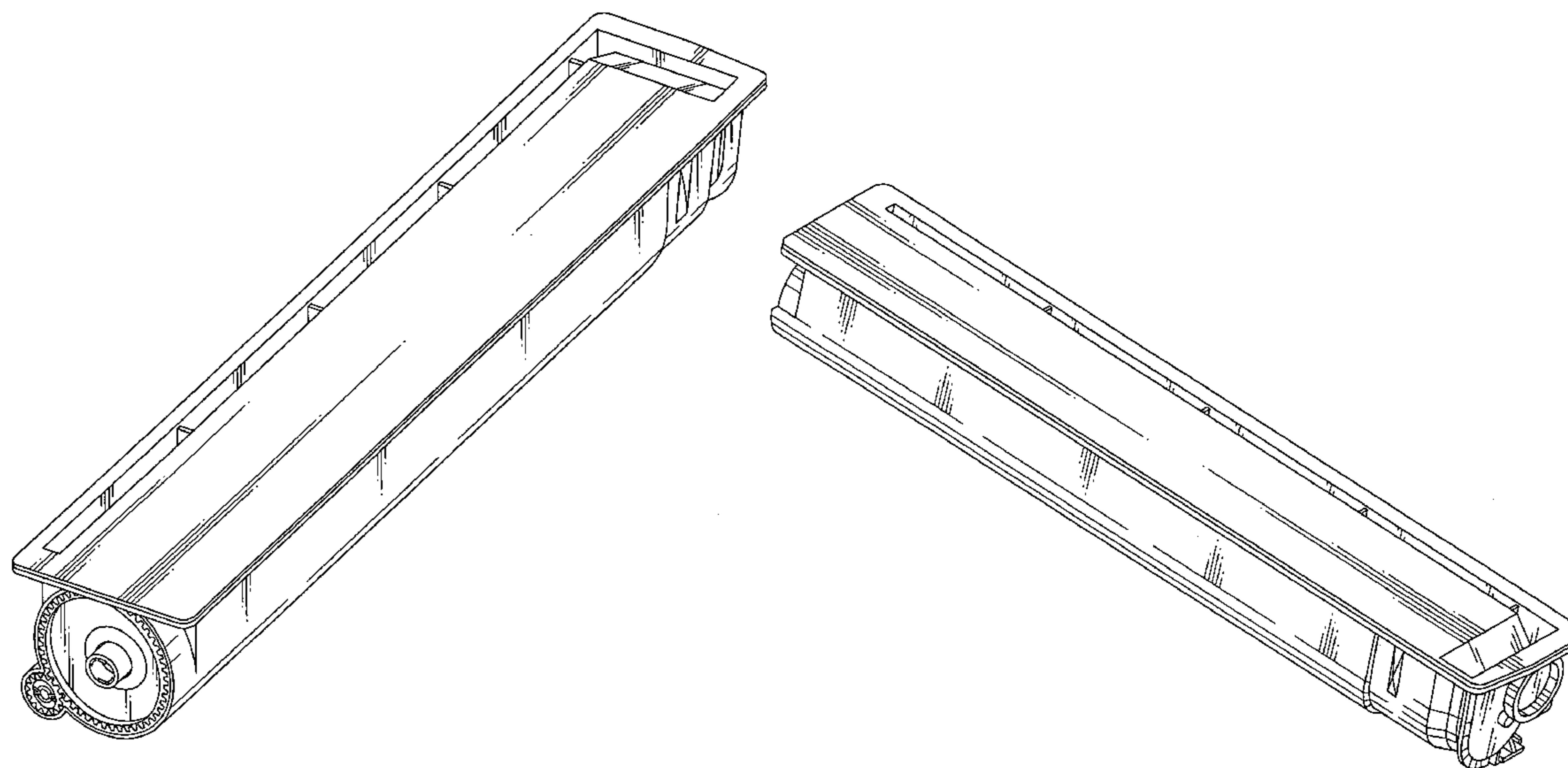
FIG. 7 is a top plan view thereof;

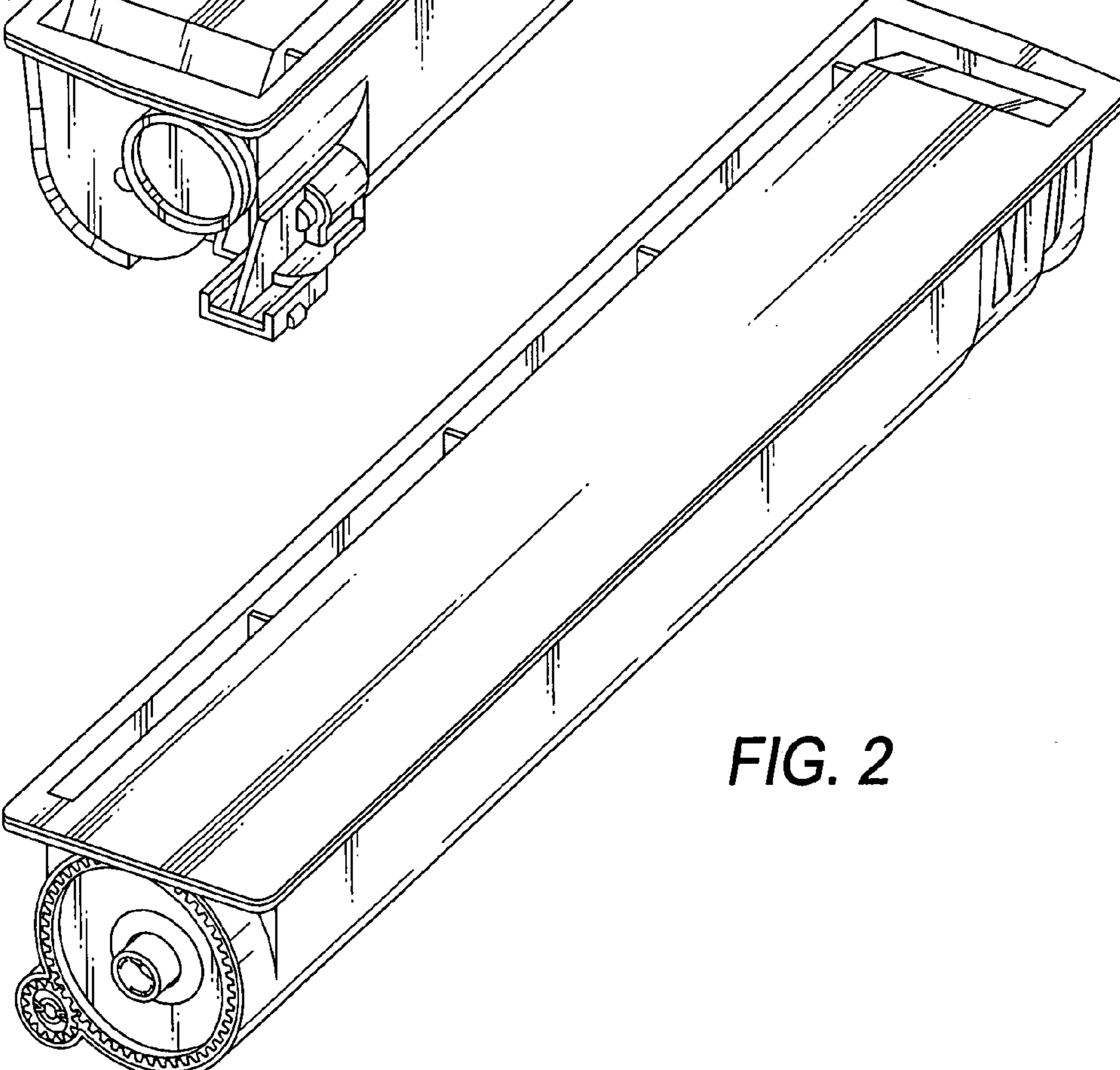
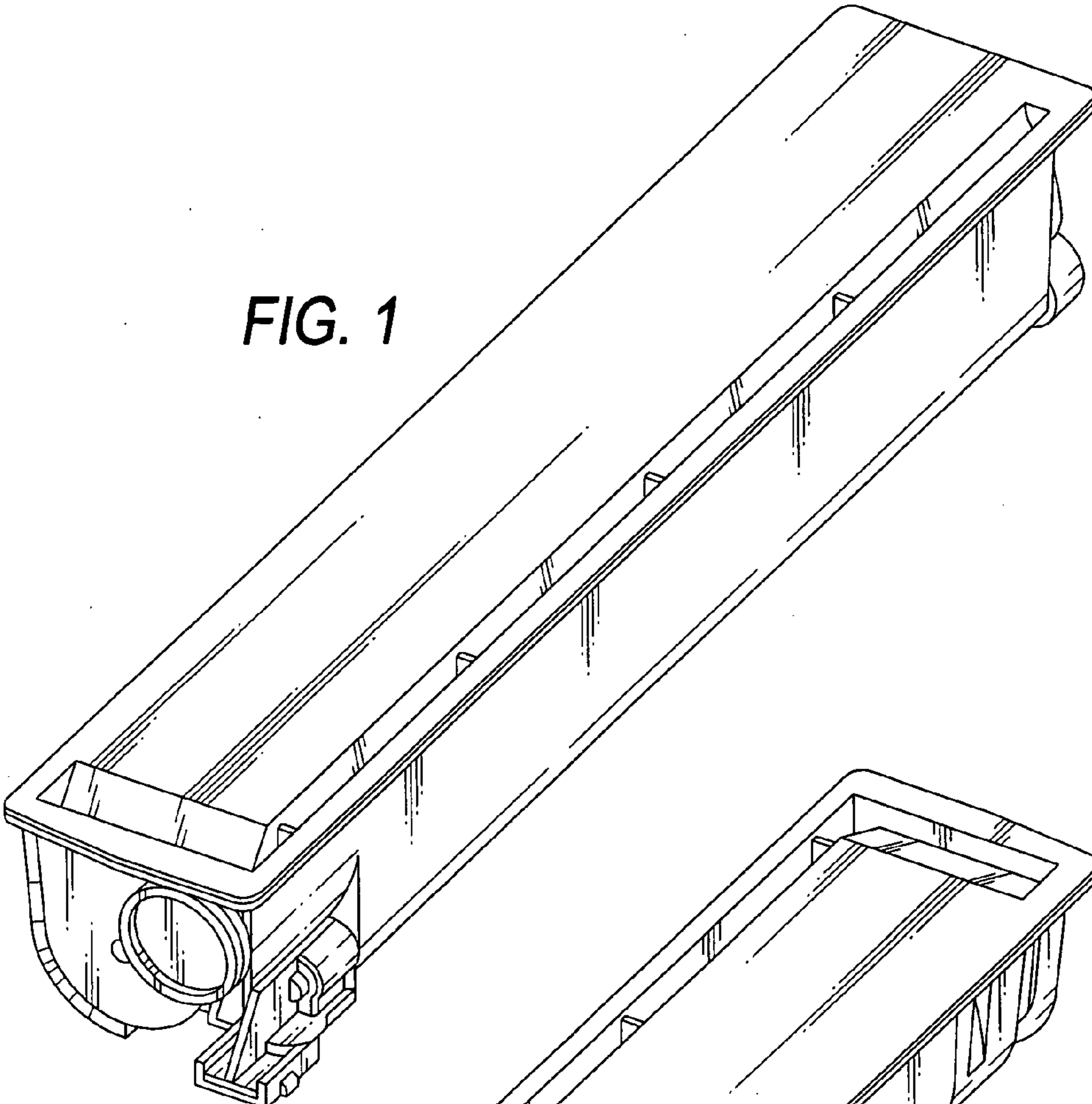
FIG. 8 is a bottom plan view thereof;

FIG. 9 is a right side elevational view thereof, shown at an enlarged scale; and,

FIG. 10 is a left side elevational view thereof.

**1 Claim, 4 Drawing Sheets**





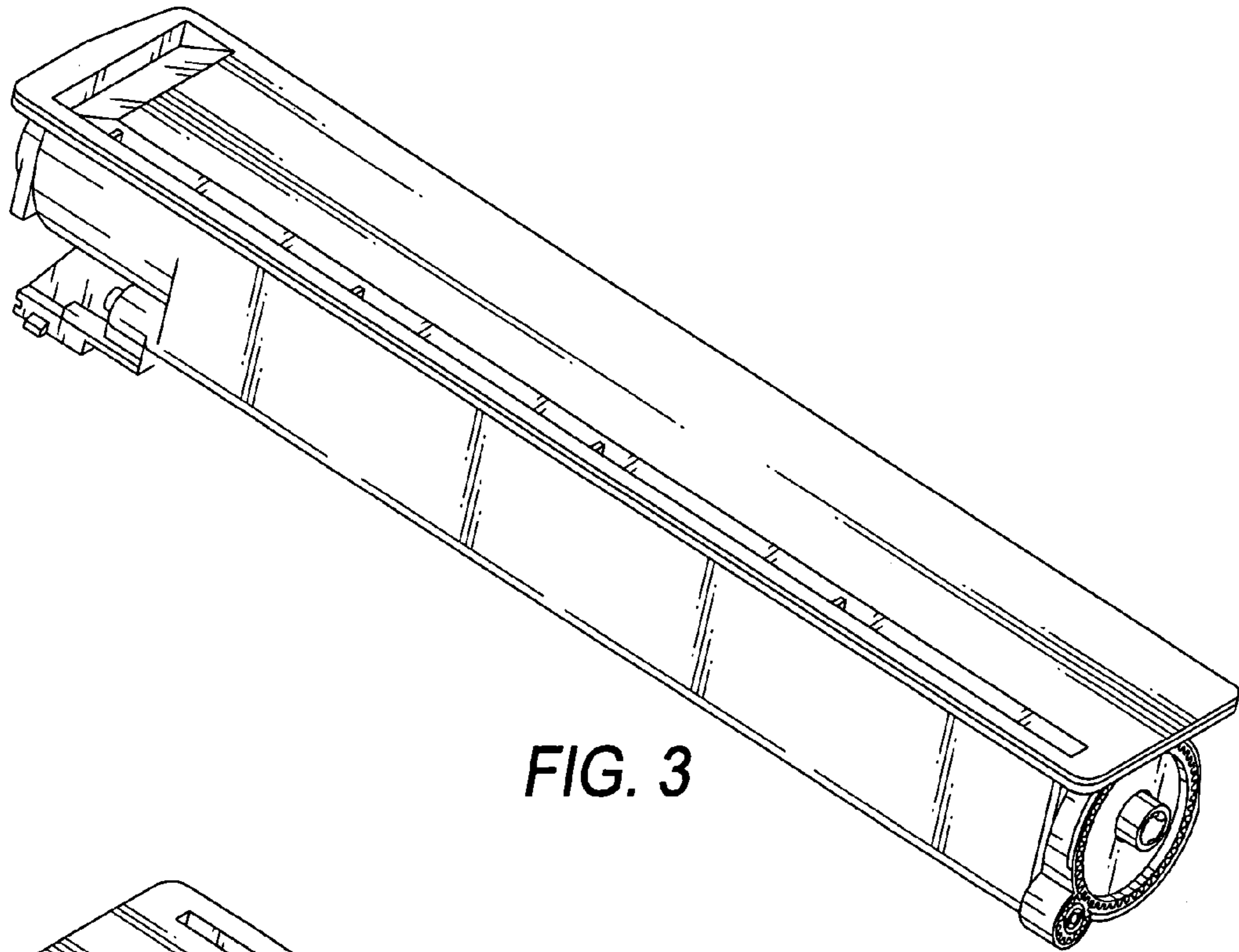


FIG. 3

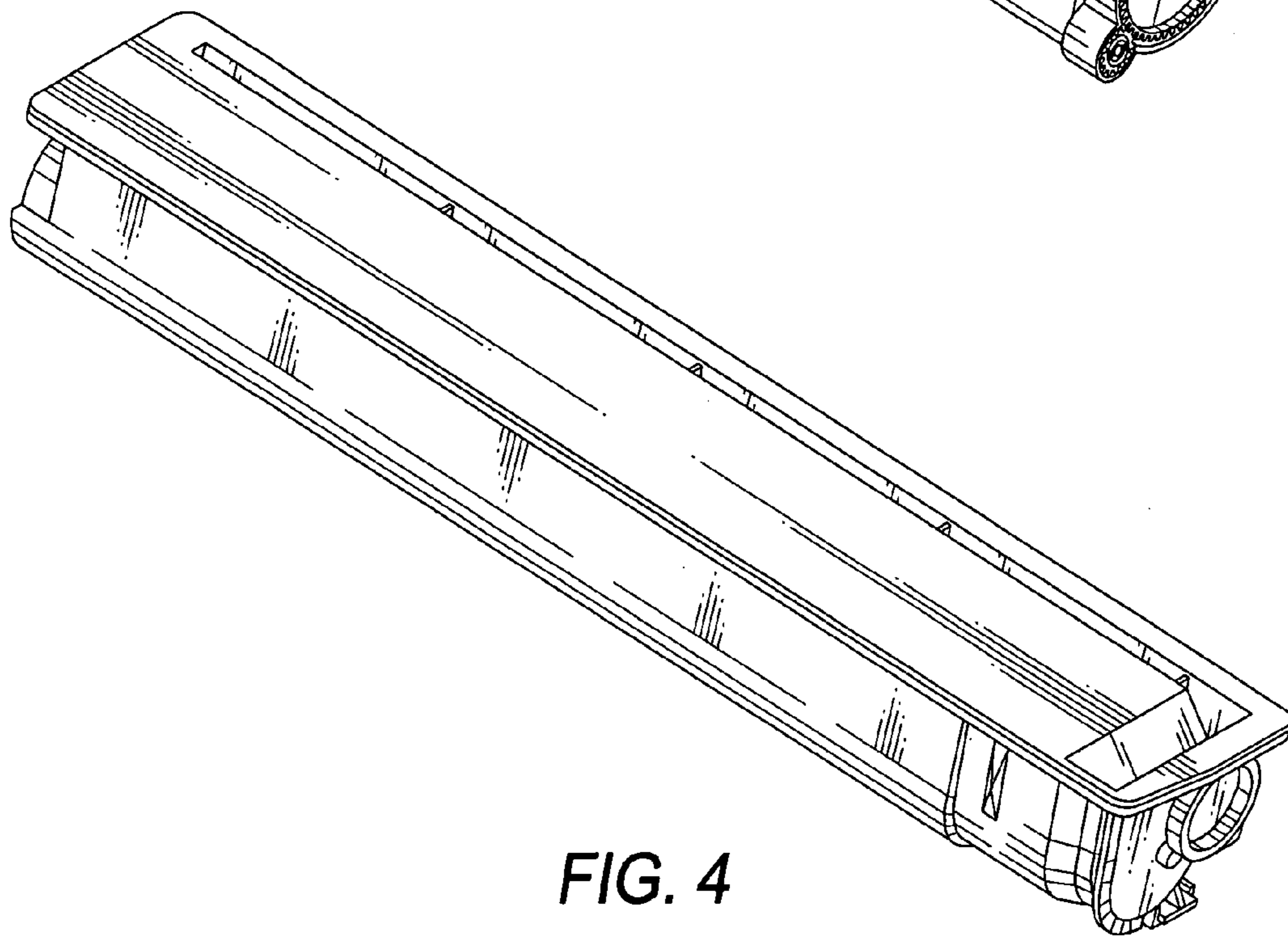
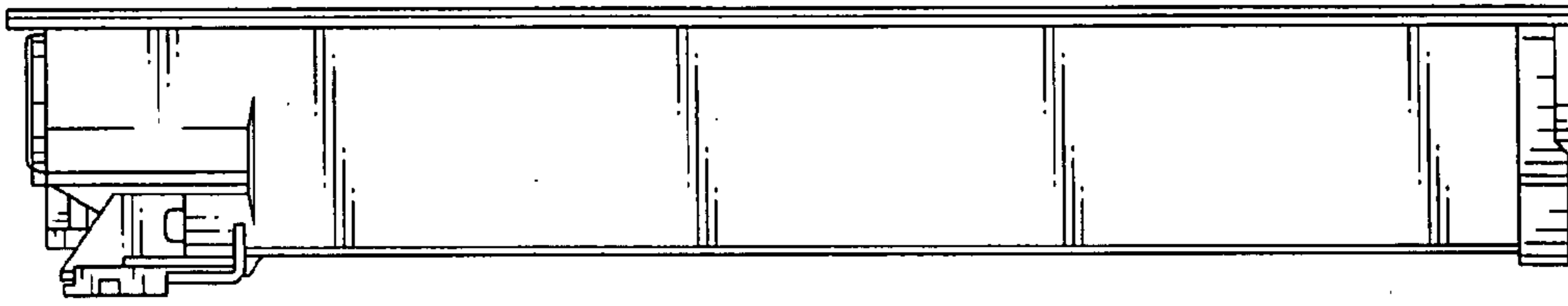
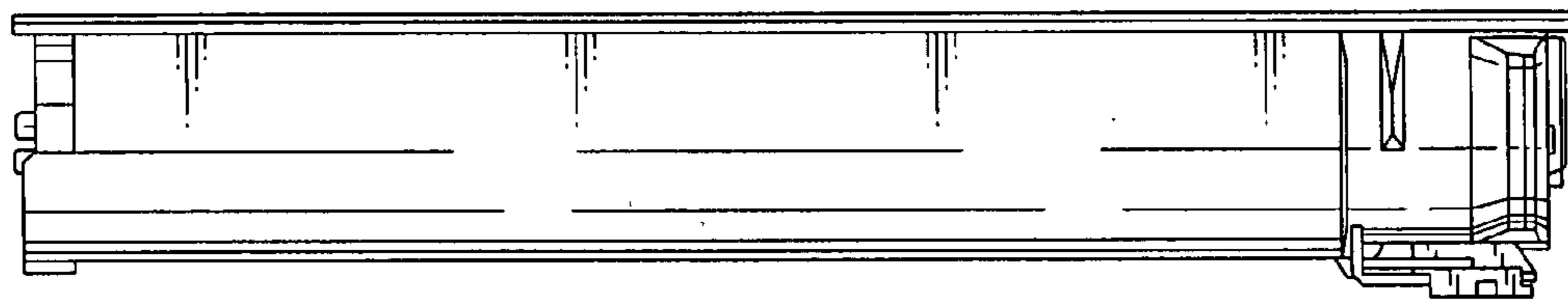


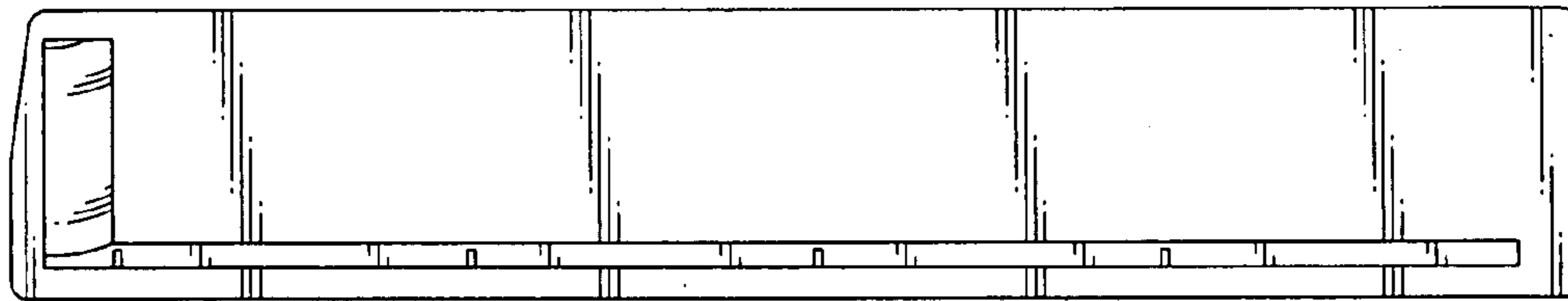
FIG. 4



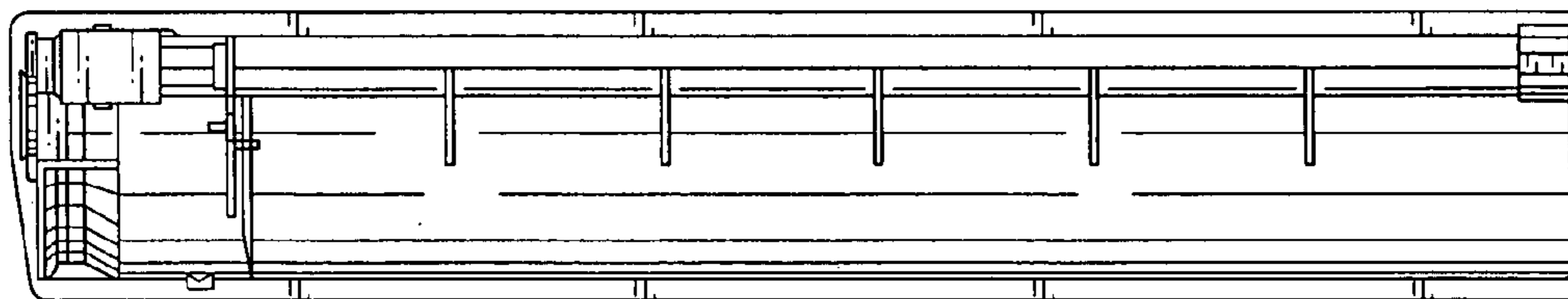
**FIG. 5**



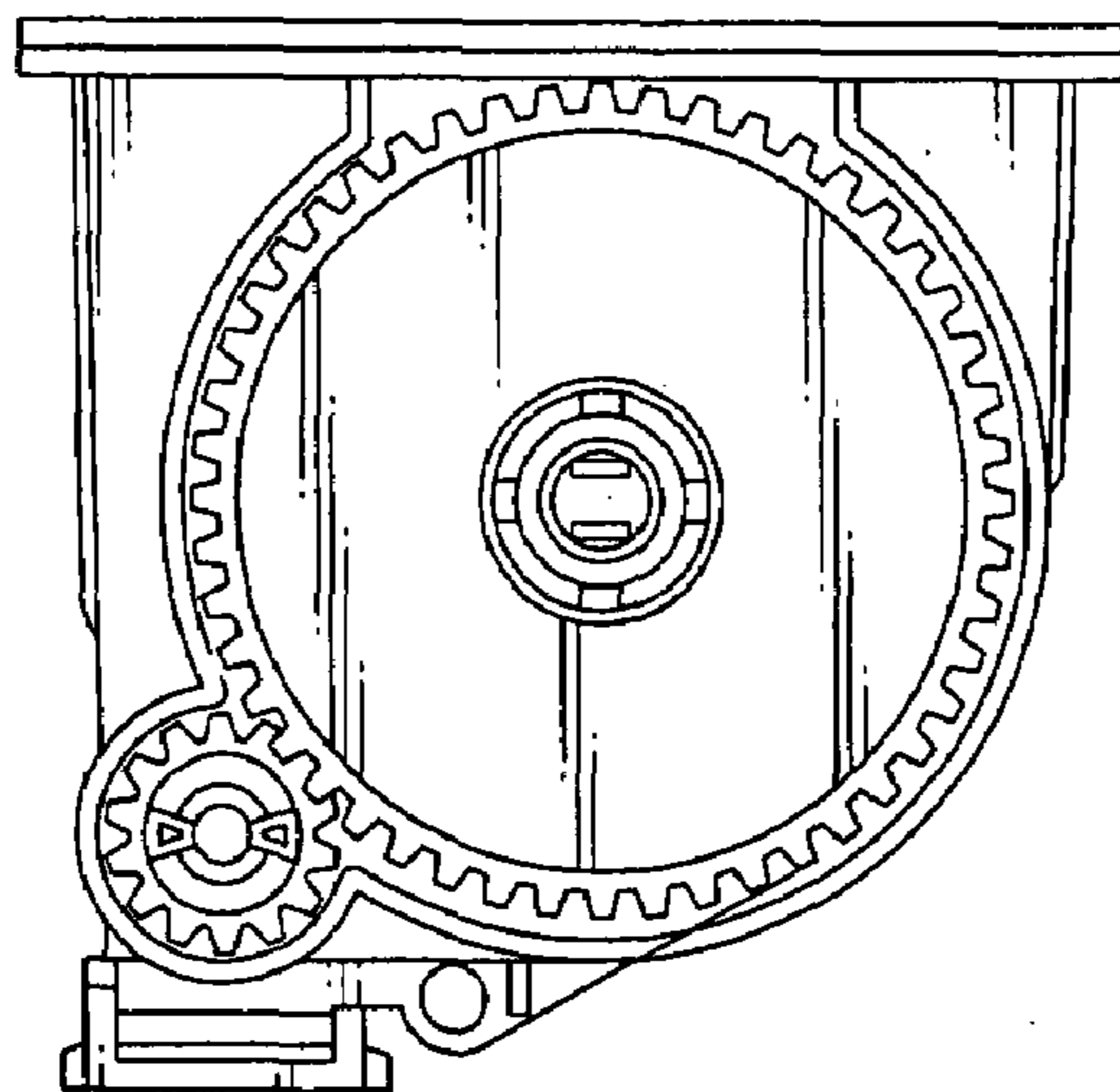
**FIG. 6**



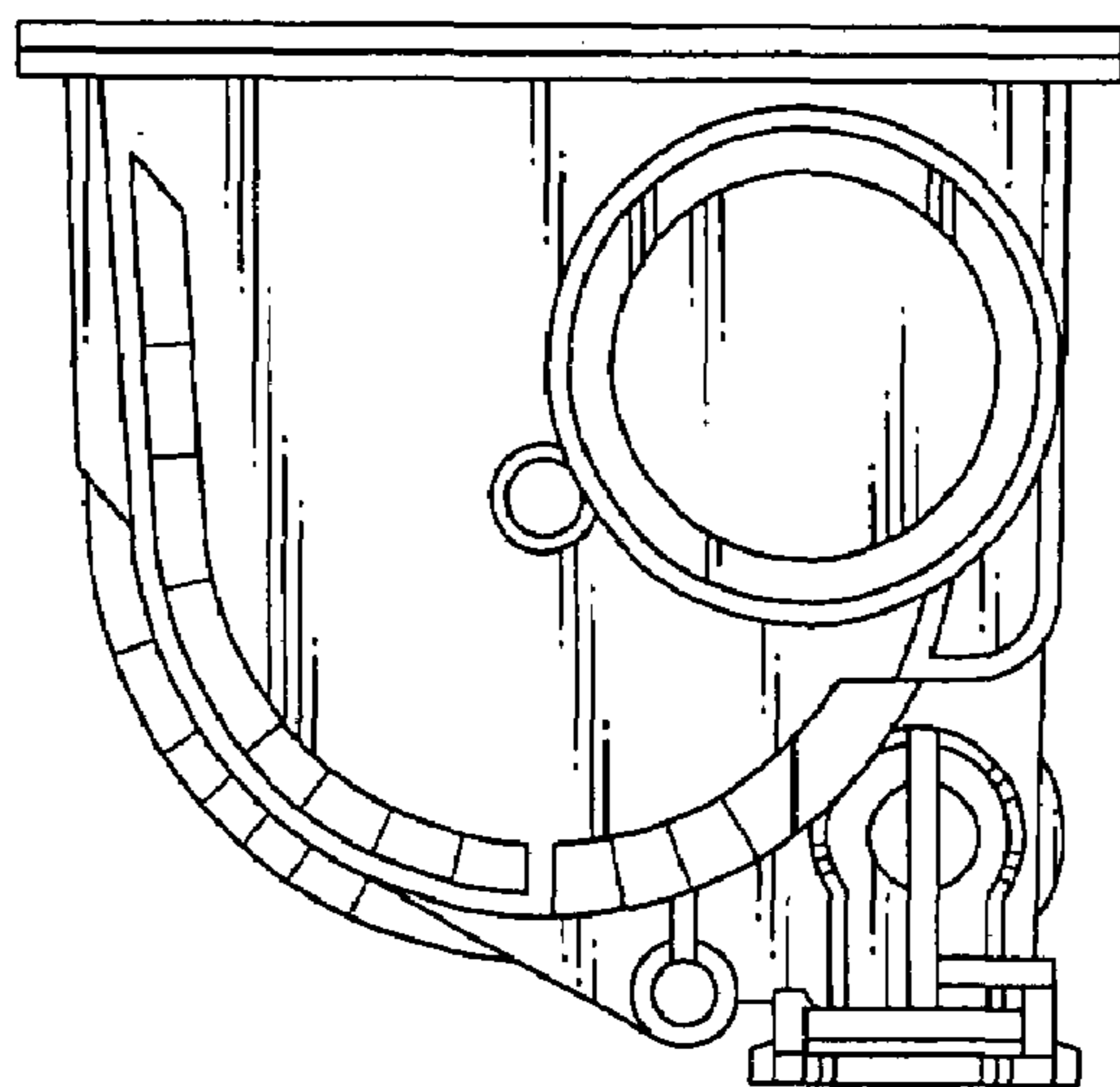
**FIG. 7**



**FIG. 8**



**FIG. 9**



**FIG. 10**