



US00D559893S

(12) **United States Design Patent**
Kouroku et al.

(10) **Patent No.:** **US D559,893 S**
(45) **Date of Patent:** **** Jan. 15, 2008**

(54) **POUCH FOR RETRIEVED WASTE TONER**

D541,669 S * 5/2007 Pokusa et al. D9/709

(75) Inventors: **Moriyuki Kouroku**, Higashimurayama (JP); **Hirokazu Toshiyuki**, Fussa (JP); **Masaki Kanasugi**, Higashiyamato (JP)

* cited by examiner

Primary Examiner—Robert M. Spear
Assistant Examiner—Garth Rademaker

(73) Assignees: **Casio Keisanki Kabushiki Kaisha**, Tokyo (JP); **Casio Denshikougyou Kabushiki Kaisha**, Tokyo (JP)

(74) *Attorney, Agent, or Firm*—Frishauf, Holtz, Goodman & Chick, P.C.

(**) Term: **14 Years**

(57) **CLAIM**

(21) Appl. No.: **29/243,048**

The ornamental design for a pouch for retrieved waste toner, as shown and described.

(22) Filed: **Nov. 17, 2005**

DESCRIPTION

(51) **LOC (8) Cl.** **16-03**

FIG. 1 is a front, top, let side perspective view of a pouch for retrieved waste toner showing our new design;

(52) **U.S. Cl.** **D18/40**

FIG. 2 is a front elevational view thereof, shown at a reduced scale;

(58) **Field of Classification Search** D9/702-714;
D14/462, 469-471; D18/12, 36, 40, 43,
D18/44, 56; 222/DIG. 1; 347/197, 222;
399/24-28, 107-112, 119, 121, 122, 222-224;
400/207, 208

FIG. 3 is a rear elevational view thereof;

See application file for complete search history.

FIG. 4 is a left side elevational view thereof, shown at an enlarged scale;

(56) **References Cited**

FIG. 5 is a right side elevational view thereof;

U.S. PATENT DOCUMENTS

5,781,841	A *	7/1998	Kouroku et al.	399/360
5,878,306	A *	3/1999	Michlin	399/106
6,241,122	B1 *	6/2001	Araki et al.	222/92
6,259,874	B1 *	7/2001	Murakami et al.	399/119
D451,542	S *	12/2001	Ishizawa et al.	D18/56
6,461,708	B1 *	10/2002	Dronzek	428/40.1
6,678,492	B1 *	1/2004	Terazawa et al.	222/DIG. 1
D528,011	S *	9/2006	Ueda	D9/702
D541,667	S *	5/2007	Pokusa et al.	D9/709

FIG. 6 is a top plan view thereof, shown at a reduced scale;

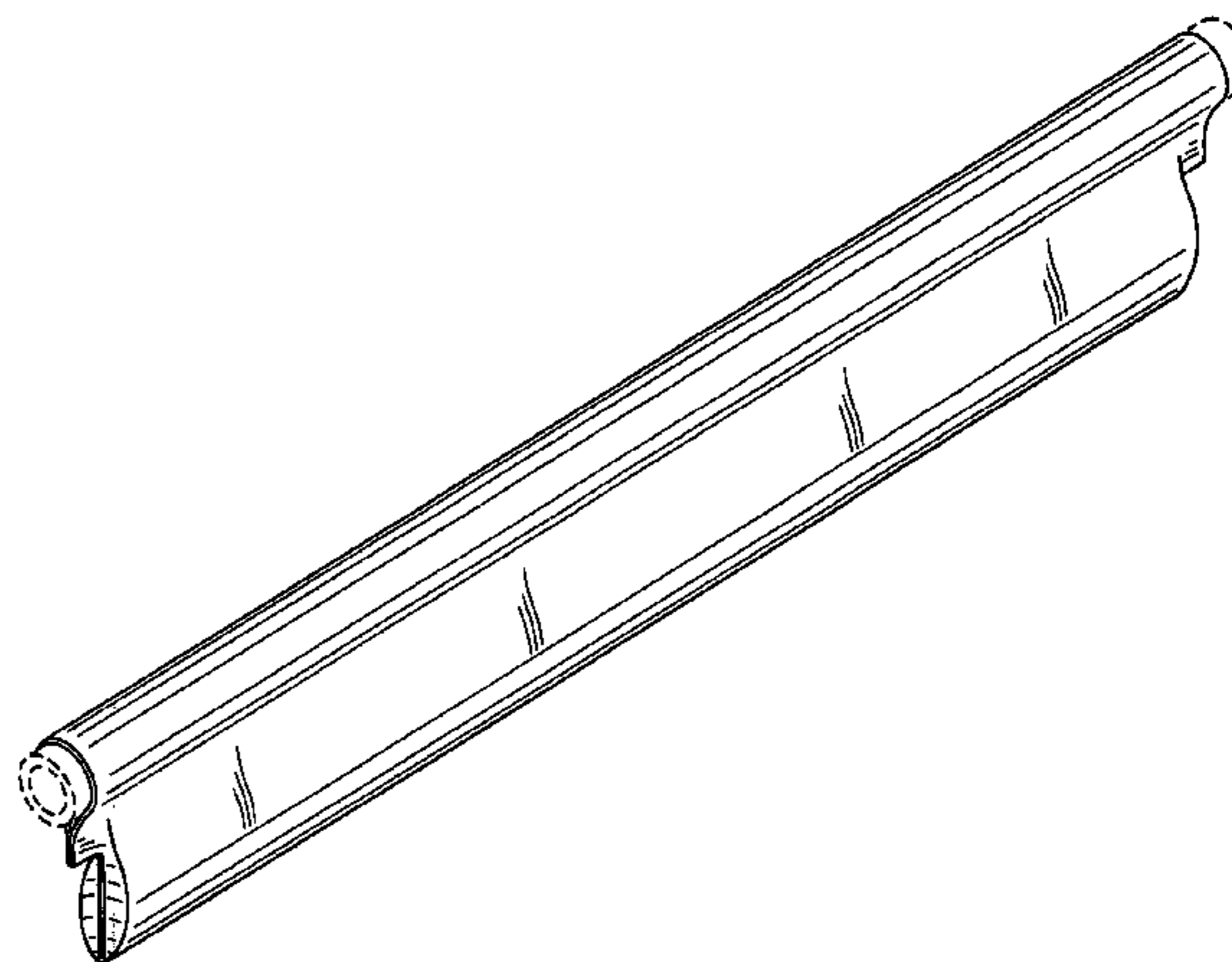
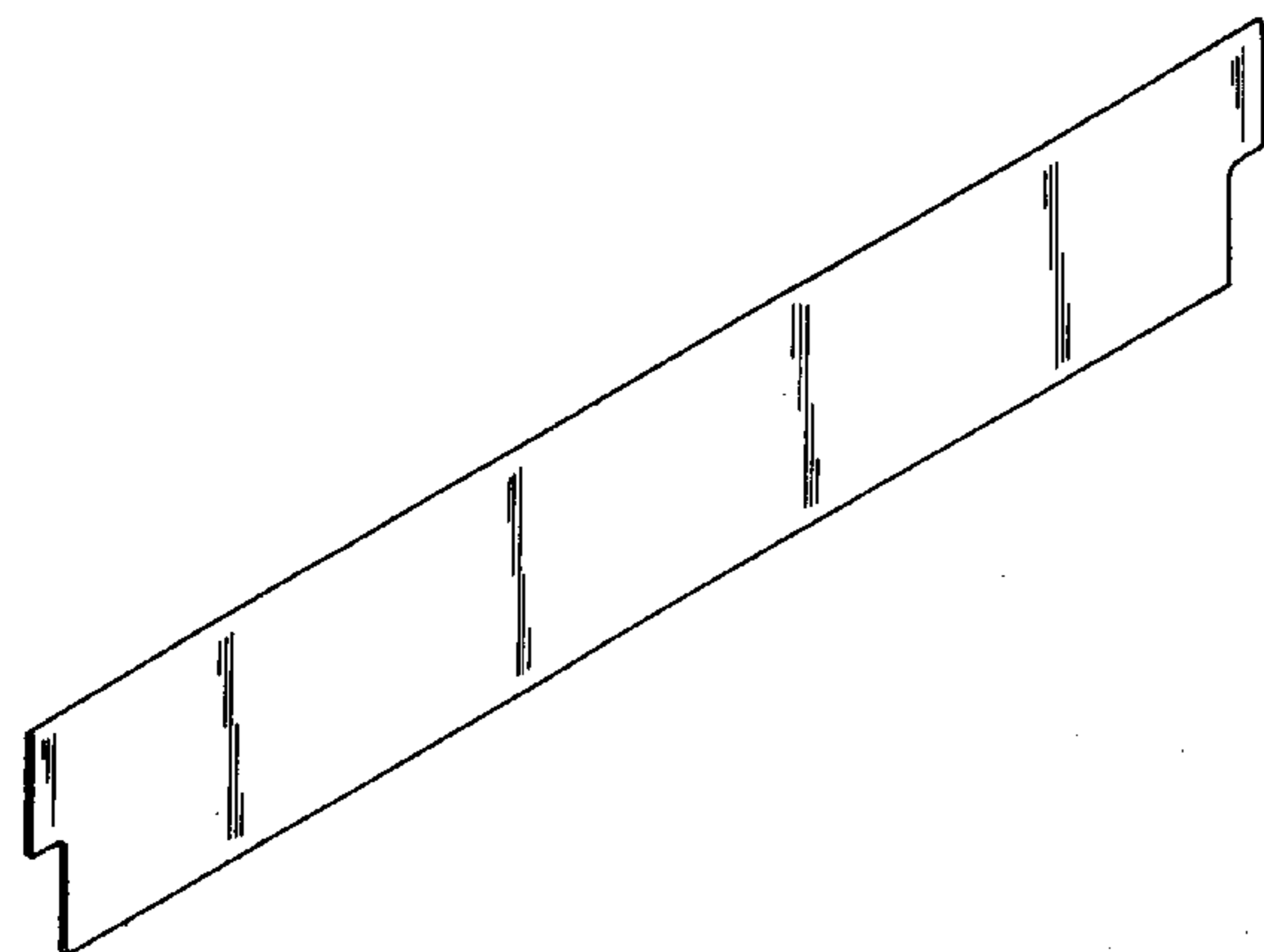
FIG. 7 is a bottom plan view thereof;

FIG. 8 is a second perspective view thereof, shown at an enlarged scale and in an alternate position of use; and,

FIG. 9 is a third perspective view thereof, shown in a third position of use.

The broken lines depict environmental subject matter only and form no part of the claimed design.

1 Claim, 4 Drawing Sheets



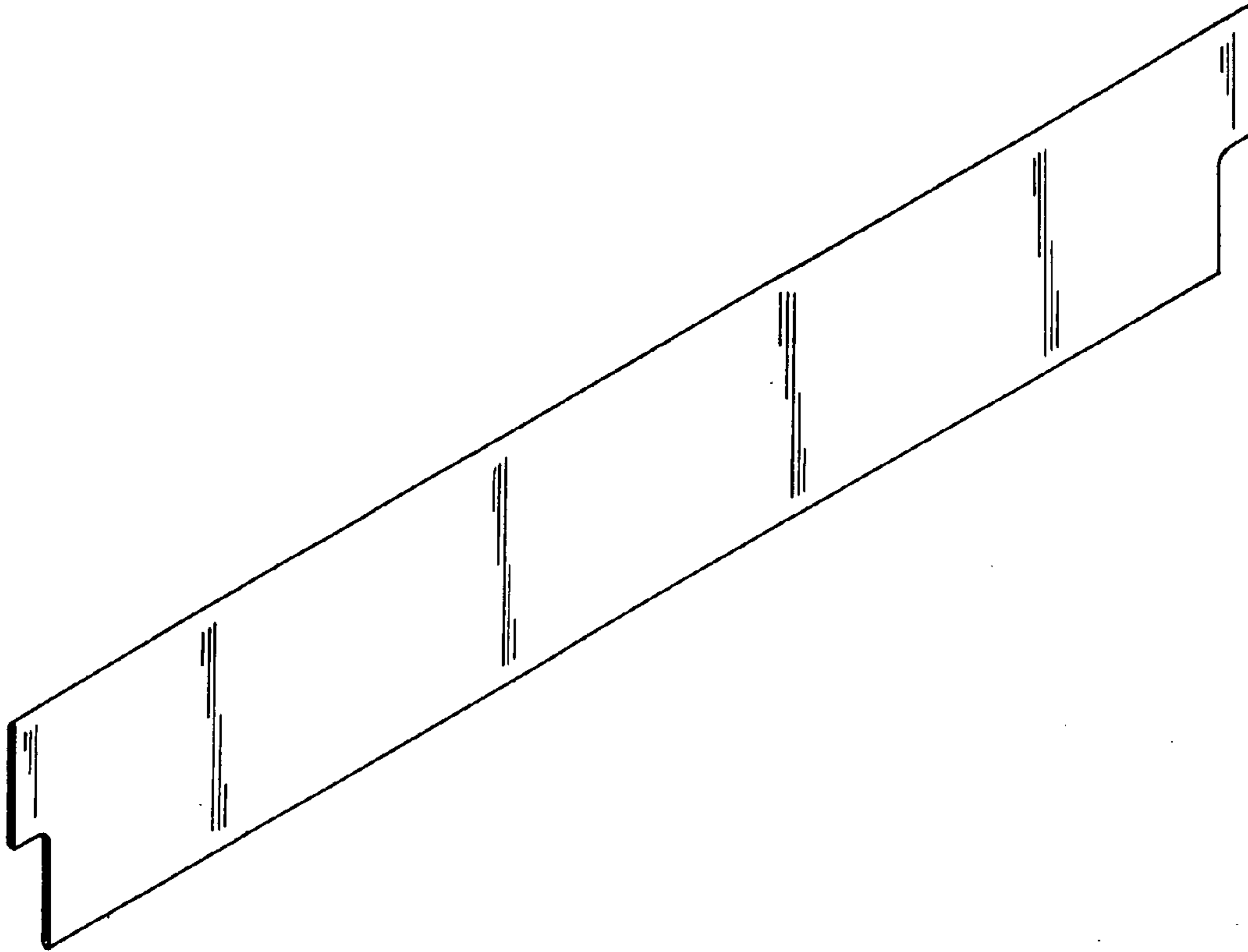


FIG. 1

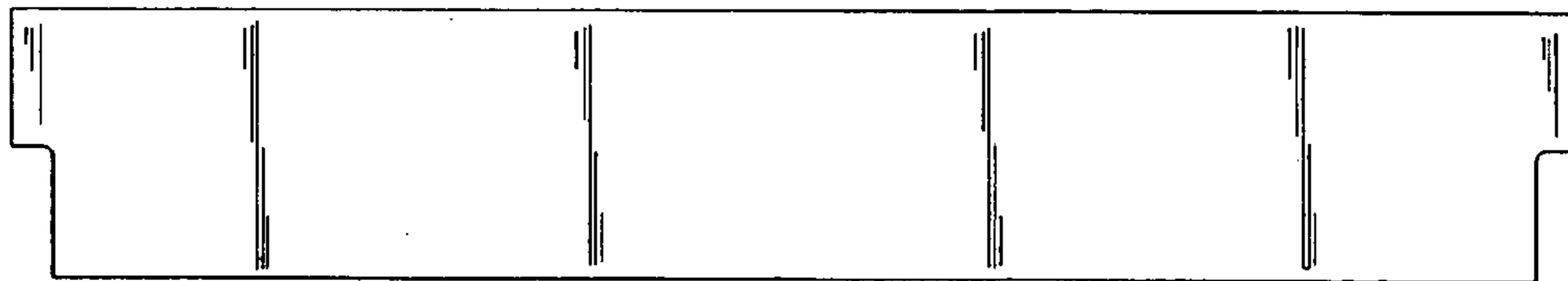


FIG. 2

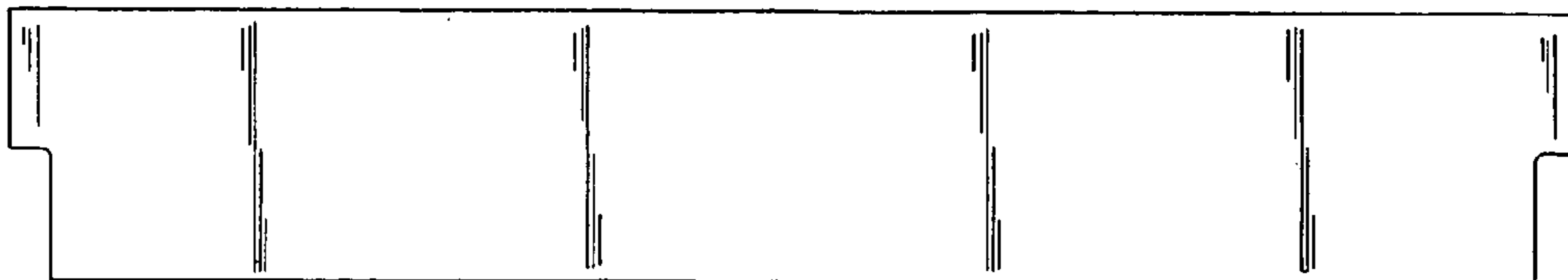


FIG. 3



FIG. 4



FIG. 5

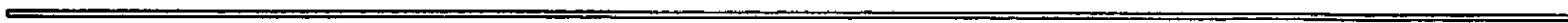


FIG. 6

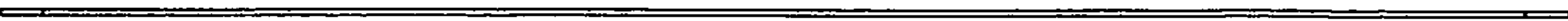


FIG. 7

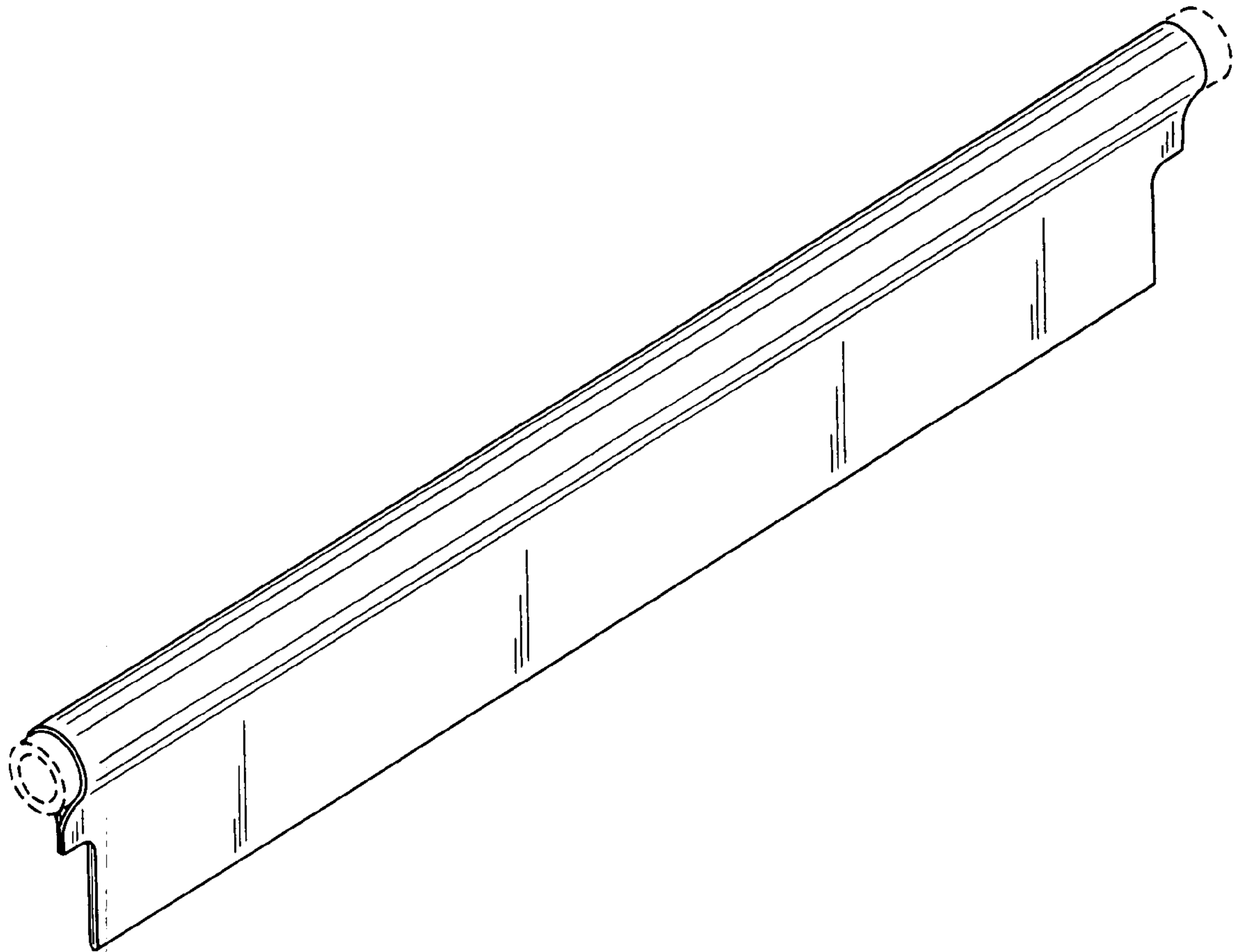


FIG. 8

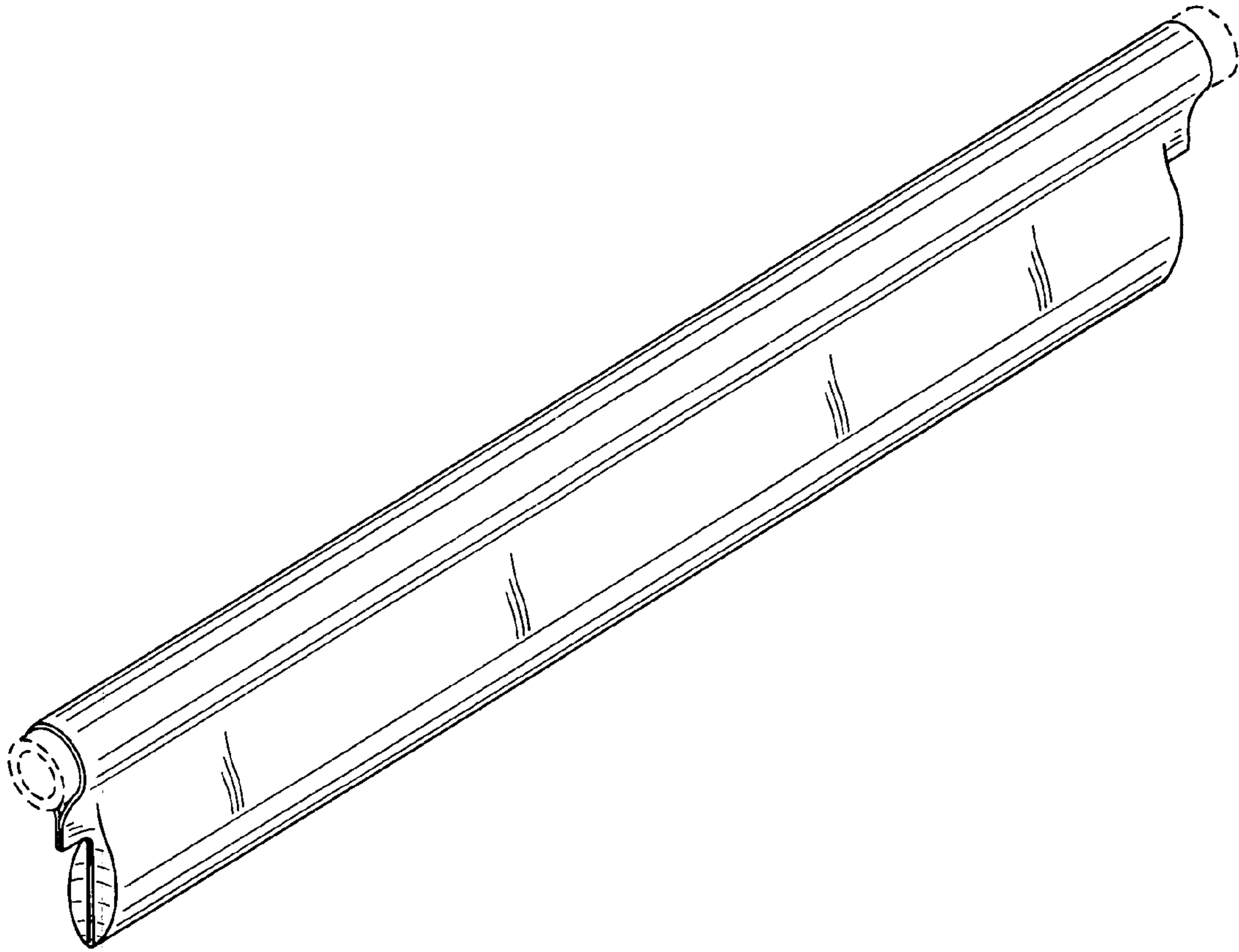


FIG. 9