



US00D559890S

(12) **United States Design Patent**
Malta

(10) **Patent No.:** **US D559,890 S**

(45) **Date of Patent:** **** Jan. 15, 2008**

(54) **BELL CHIME SET**

(76) **Inventor:** **Jacob H. Malta**, 223 N. Shady Retreat Rd., New Britain, PA (US) 18901

(**) **Term:** **14 Years**

(21) **Appl. No.:** **29/248,500**

(22) **Filed:** **Aug. 18, 2006**

(51) **LOC (8) Cl.** **17-99**

(52) **U.S. Cl.** **D17/99**

(58) **Field of Classification Search** D17/22,
D17/99; 84/103, 406, 470 R, 471 R, 402-404;
D10/116, 188; 116/169

See application file for complete search history.

(56) **References Cited**

U.S. PATENT DOCUMENTS

531,323	A *	12/1894	Mayland	84/402
635,416	A *	10/1899	Batdorf	84/103
651,485	A *	6/1900	Heene	84/103
887,402	A *	5/1908	Kooh	84/406
3,027,794	A *	4/1962	Chute	84/406
3,077,138	A *	2/1963	Vaughn, Jr. et al.	84/103

3,769,870	A *	11/1973	Huber	84/103
3,910,225	A *	10/1975	Huber	116/167
D363,039	S *	10/1995	Ledbetter et al.	D10/118

* cited by examiner

Primary Examiner—Ian Simmons

Assistant Examiner—Anna J Burmeister

(57) **CLAIM**

The ornamental design for a bell chime set, as shown and described.

DESCRIPTION

FIG. 1 is a top left front perspective view of the bell chime set of the invention;

FIG. 2 is a top plan view thereof;

FIG. 3 is a rear view thereof;

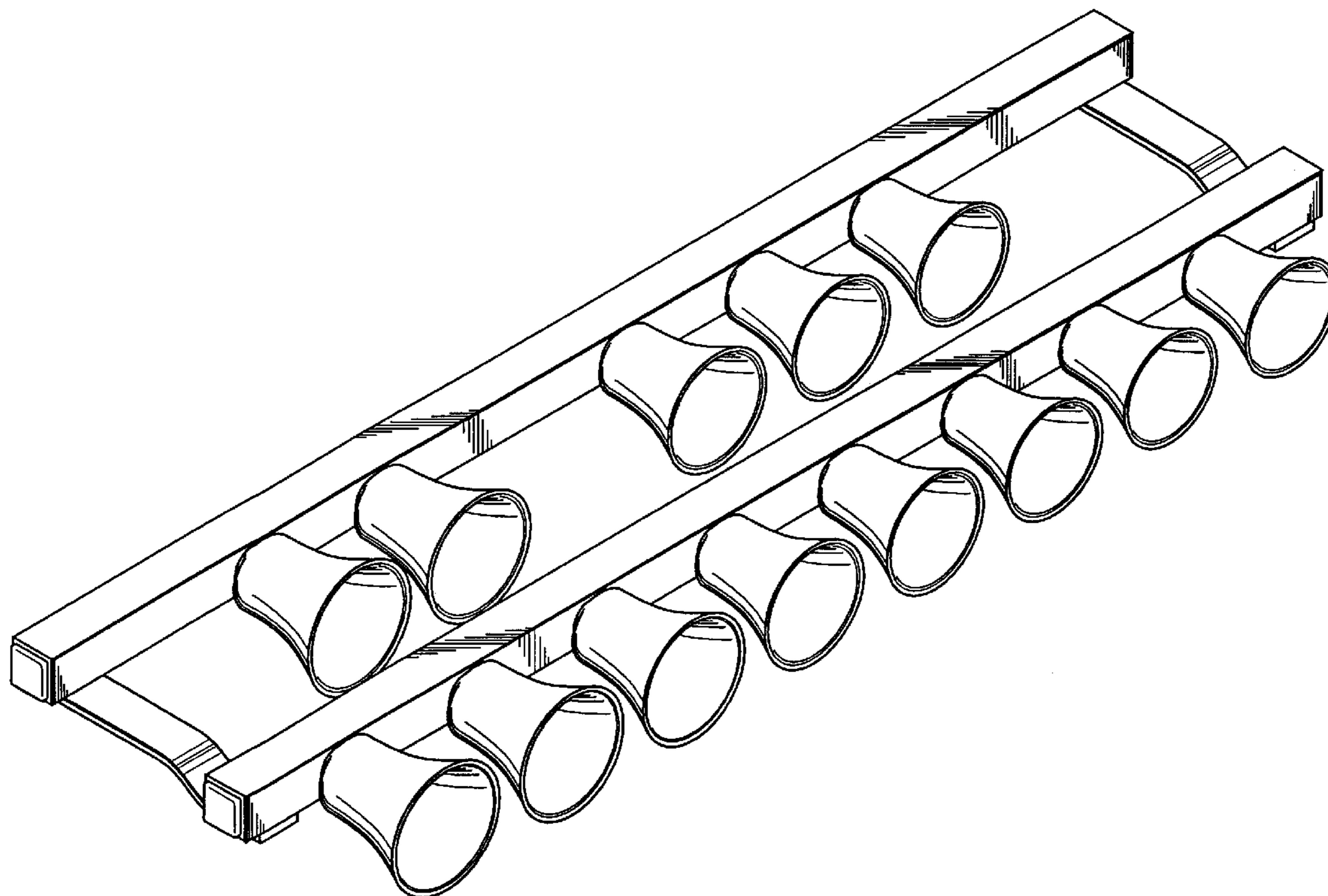
FIG. 4 is a bottom view thereof;

FIG. 5 is a front view thereof;

FIG. 6 is a right side elevation view thereof; and,

FIG. 7 is a left side elevation view thereof.

1 Claim, 4 Drawing Sheets



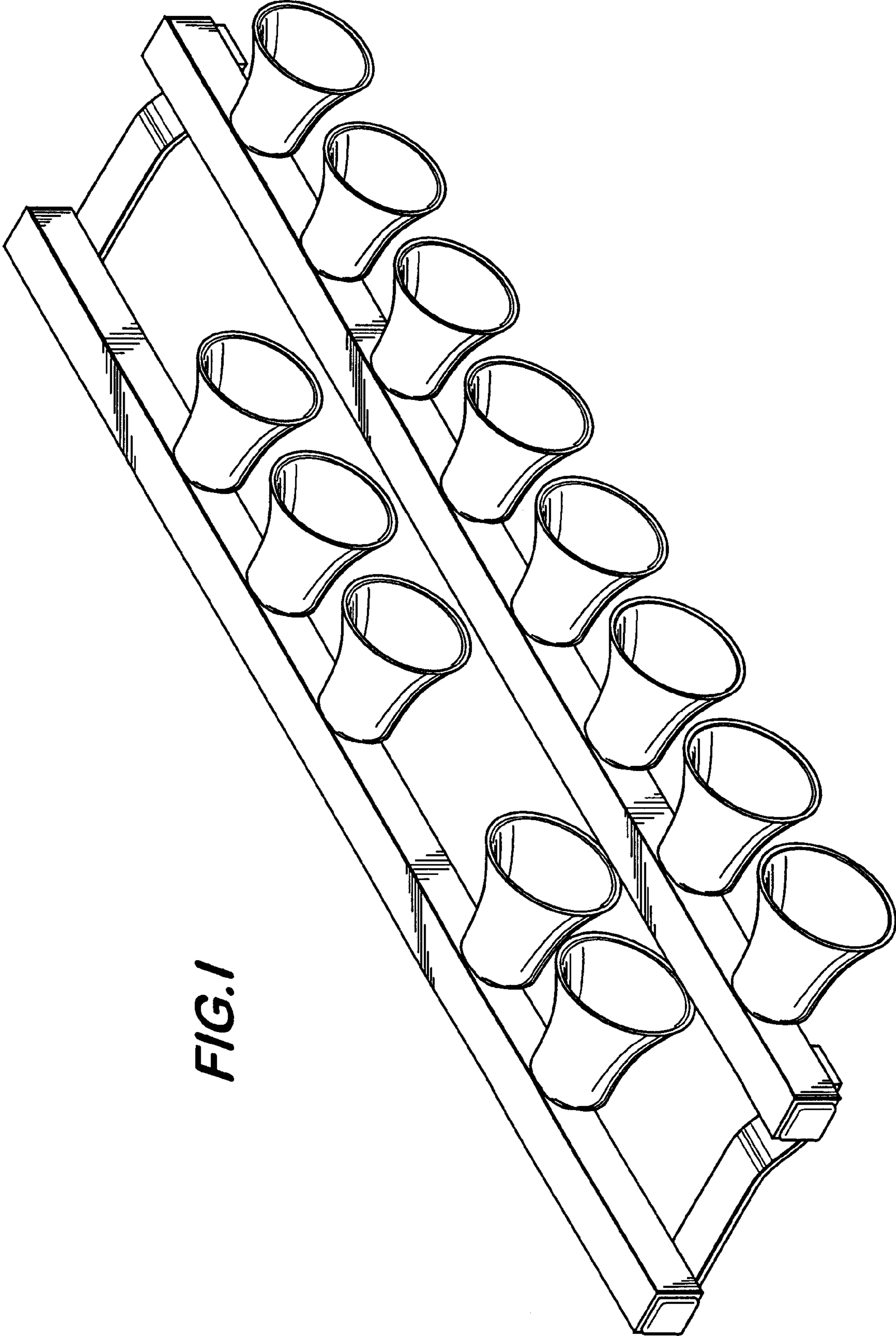


FIG. 1

FIG. 2

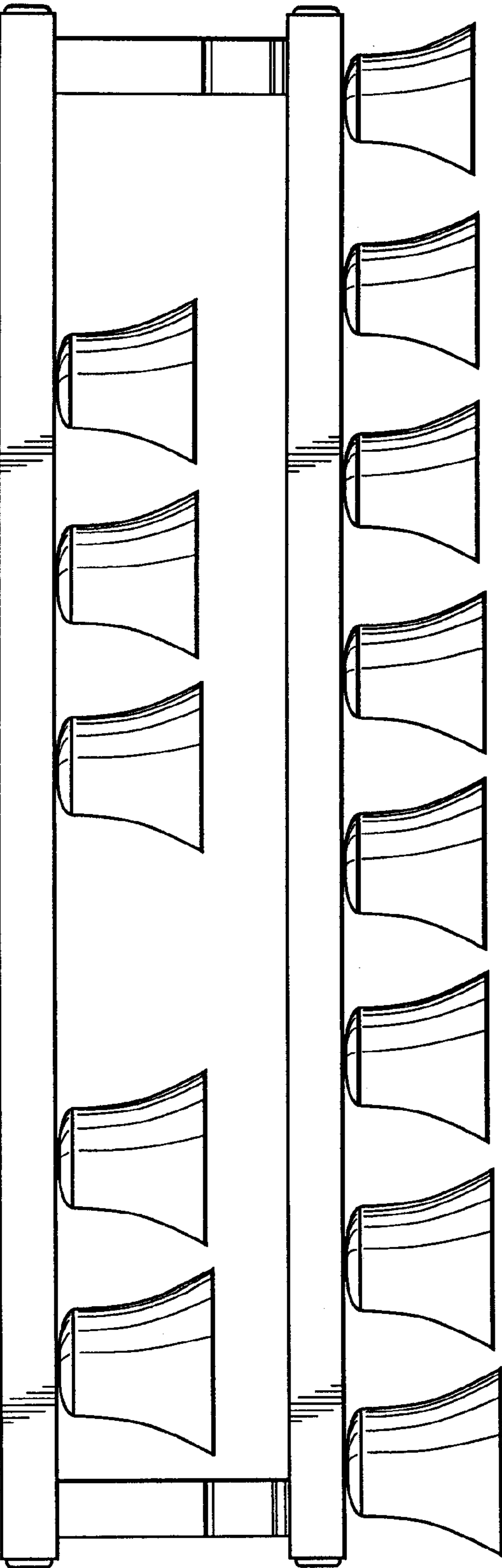


FIG. 3

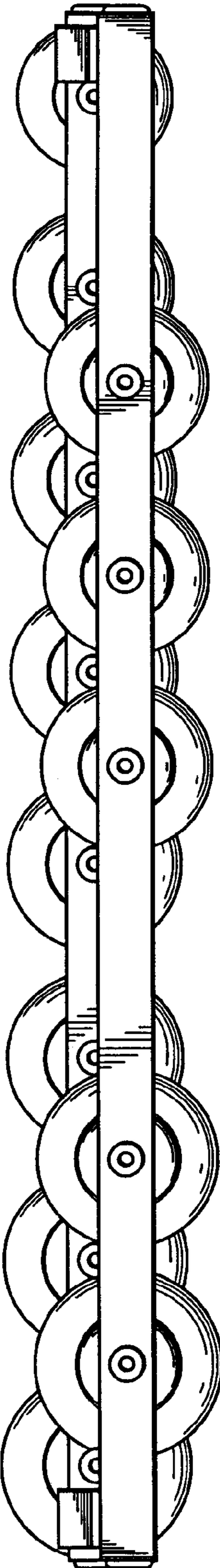


FIG. 4

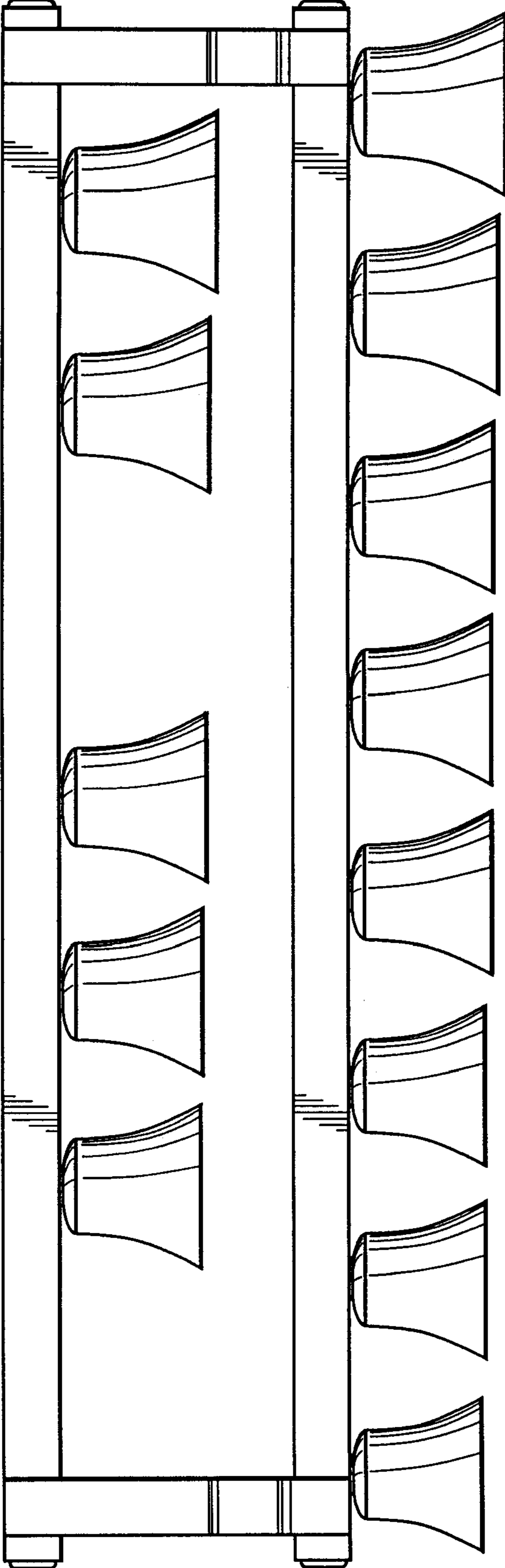


FIG. 5

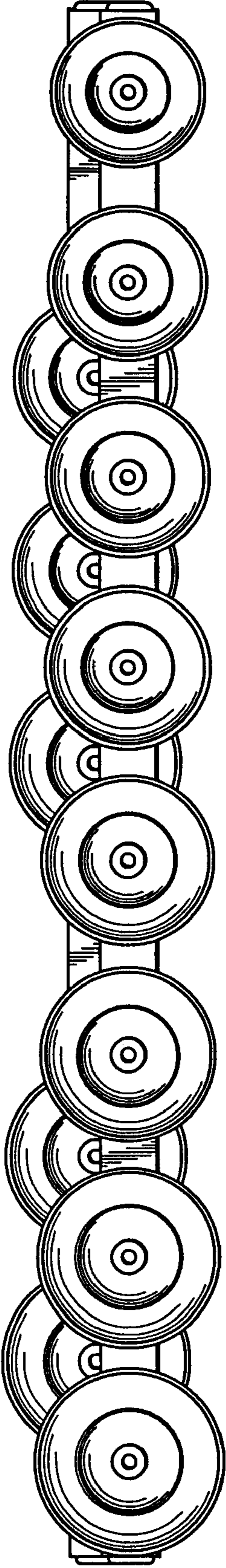


FIG. 6

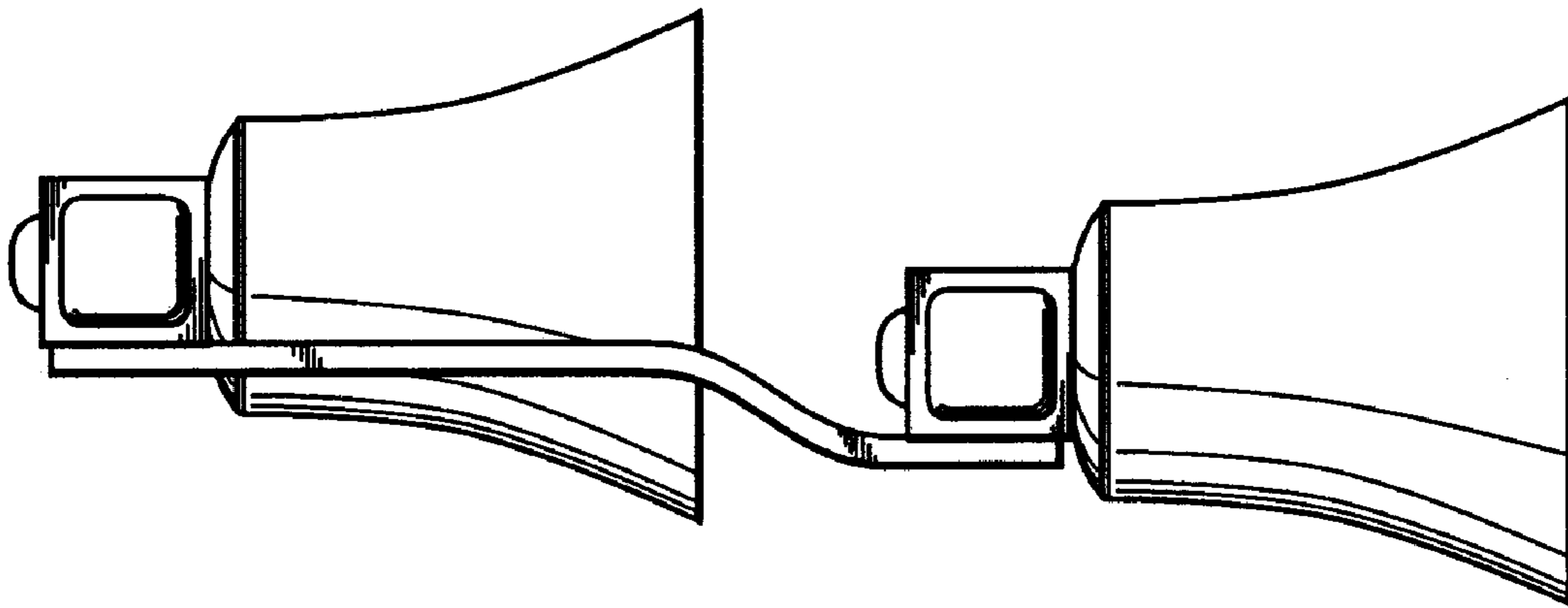
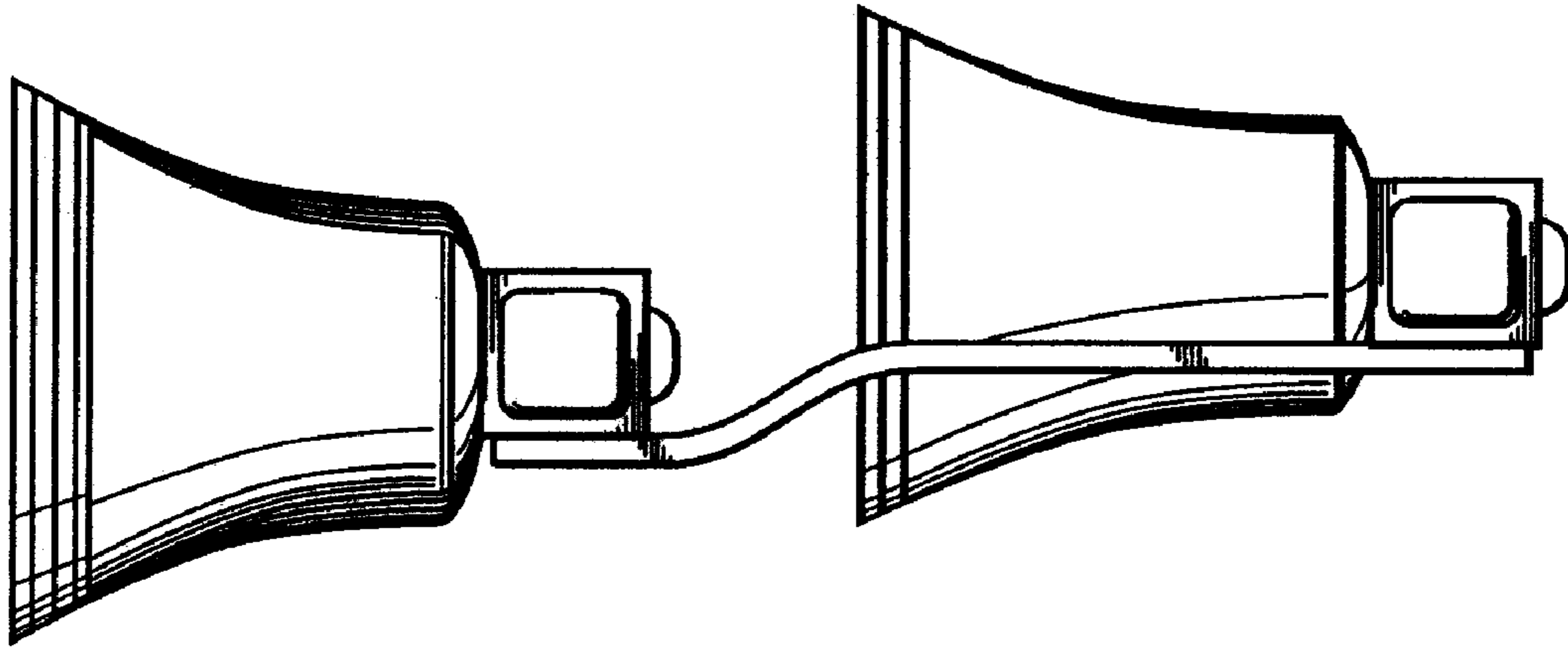


FIG. 7