



US00D559889S

(12) **United States Design Patent**
Nakao et al.

(10) **Patent No.:** **US D559,889 S**
(45) **Date of Patent:** **** Jan. 15, 2008**

(54) **ELECTRONIC PERCUSSION INSTRUMENT**

(75) Inventors: **Koichi Nakao**, Hamamatsu (JP);
Masahiro Kitagawa, Hamamatsu (JP)

(73) Assignee: **Roland Corporation**, Hamamatsu (JP)

(**) Term: **14 Years**

(21) Appl. No.: **29/261,823**

(22) Filed: **Jun. 21, 2006**

(30) **Foreign Application Priority Data**

Jan. 6, 2006 (JP) 2006-000067

(51) **LOC (8) Cl.** **17-04**

(52) **U.S. Cl.** **D17/22**

(58) **Field of Classification Search** D17/22;
84/106-107, 411 R, 422.1, 422.3, DIG. 12
See application file for complete search history.

(56) **References Cited**

U.S. PATENT DOCUMENTS

D319,650 S	*	9/1991	Hart	D17/22
D448,754 S	*	10/2001	Chang	D14/217
D454,906 S		3/2002	Senda et al.		
D455,774 S	*	4/2002	Senda et al.	D17/22
D492,342 S		6/2004	Kamijima et al.		
D497,935 S		11/2004	Kamijima et al.		
D507,591 S		7/2005	Kamijima et al.		

OTHER PUBLICATIONS

U.S. Appl. No. 29/231,914, filed Jun. 10, 2005, Nakao et al.

* cited by examiner

Primary Examiner—Ian Simmons

Assistant Examiner—Anna J Burmeister

(74) *Attorney, Agent, or Firm*—Foley & Lardner LLP

(57) **CLAIM**

The ornamental design for a electronic percussion instrument, as shown and described.

DESCRIPTION

FIG. 1 is a top plan view of a electronic percussion instrument according to the claimed design;

FIG. 2 is a bottom plan view thereof;

FIG. 3 is a front elevational view thereof;

FIG. 4 is a rear elevational view thereof;

FIG. 5 is a right side elevational view thereof;

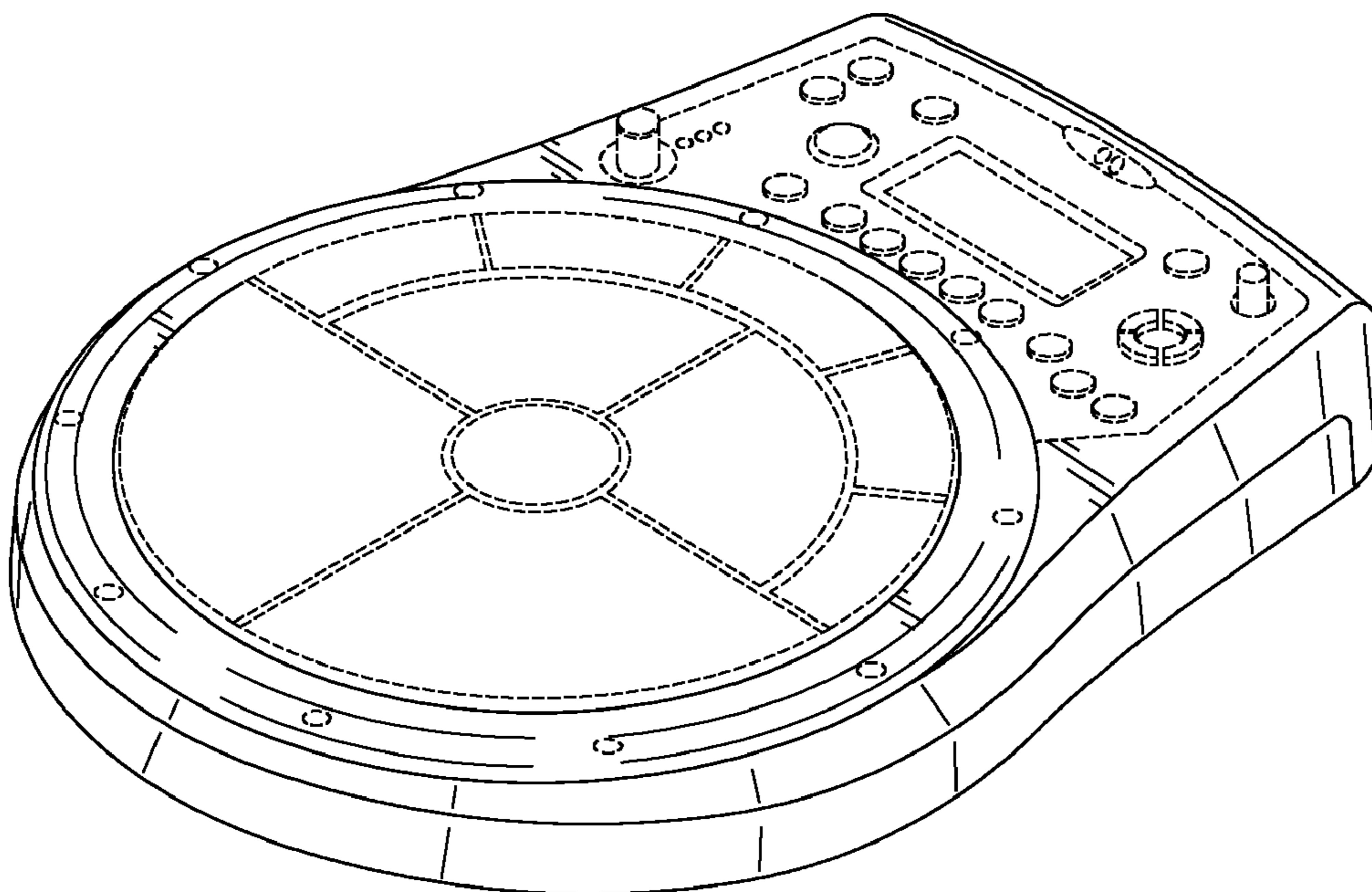
FIG. 6 is a right side elevational view thereof;

FIG. 7 is a top, front, left side perspective left side elevational view thereof; and,

FIG. 8 is a top, front, left side perspective view thereof, shown on a stand.

The broken lines shown in the drawings are for illustrative purposes only and form no part of the claimed design.

1 Claim, 5 Drawing Sheets



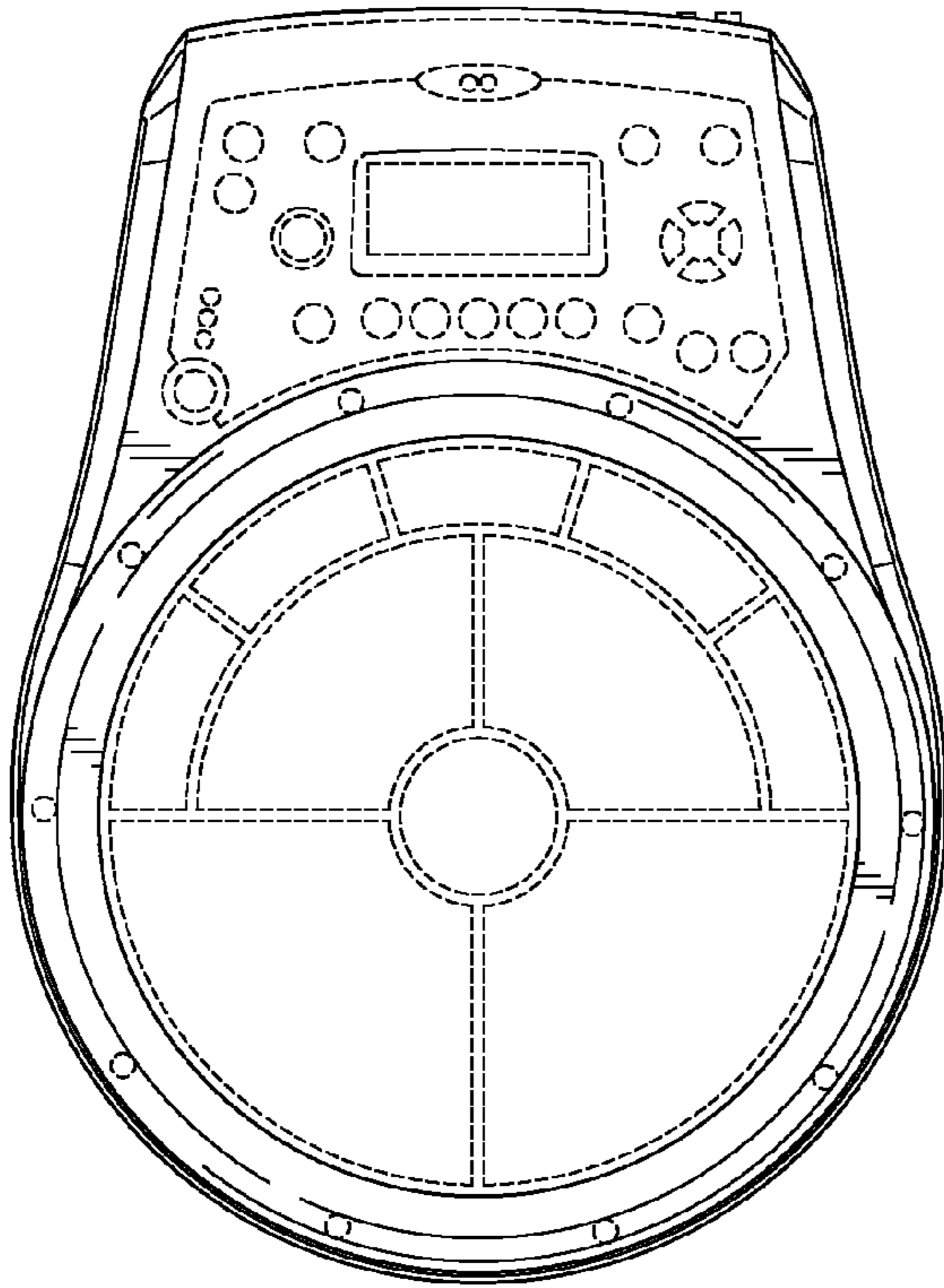
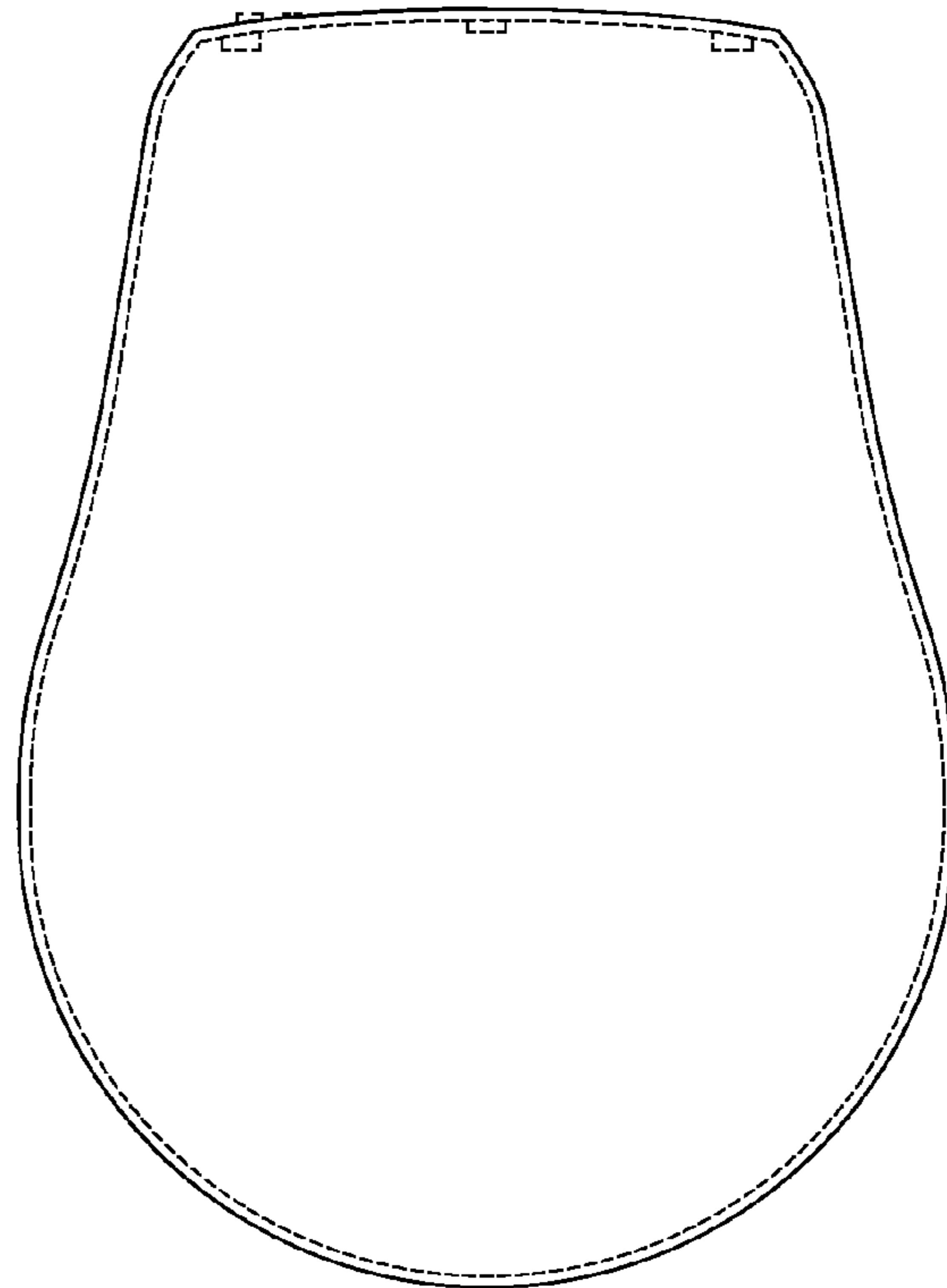


FIG. 1

FIG. 2



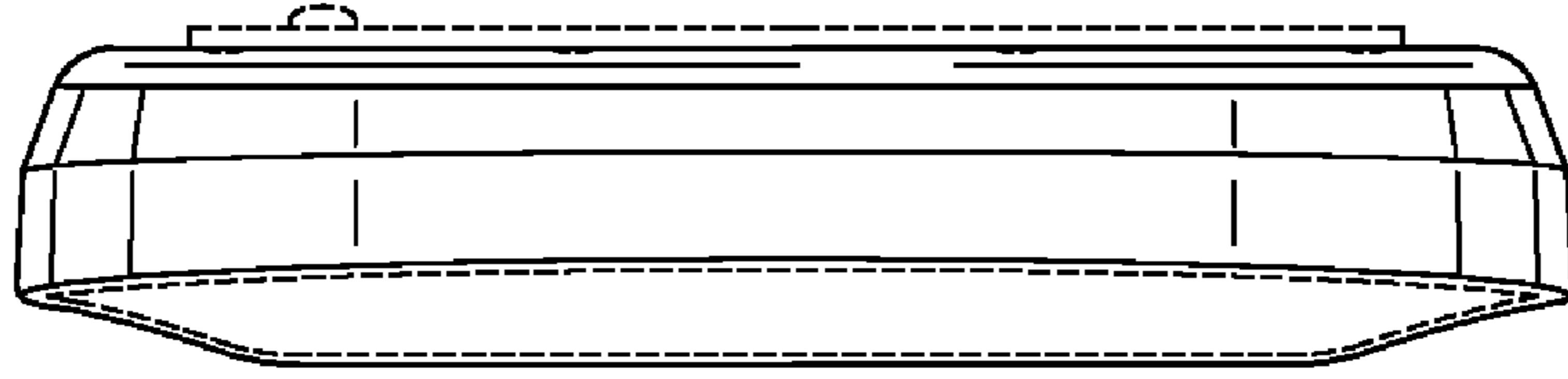


FIG. 3

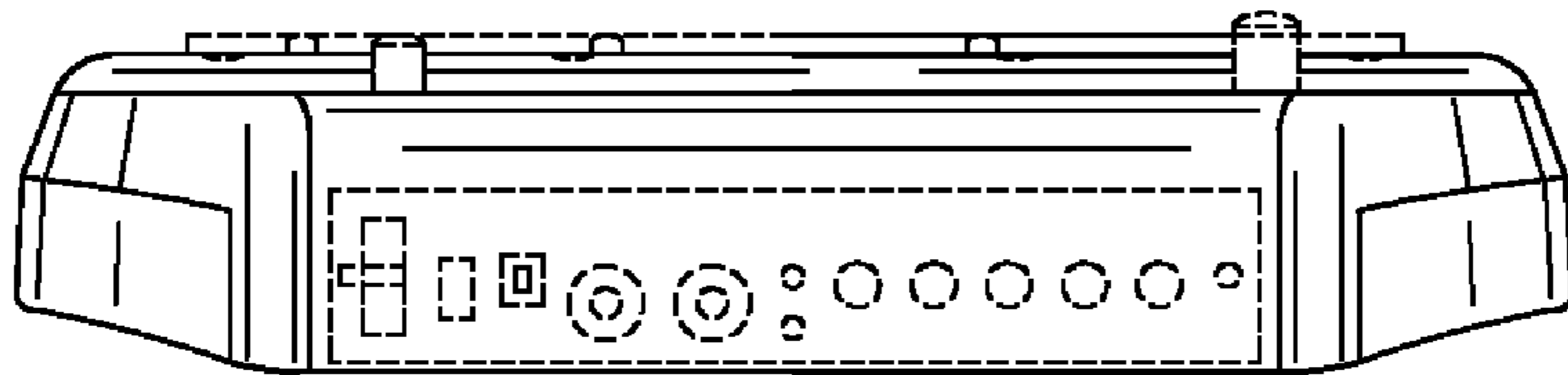


FIG. 4

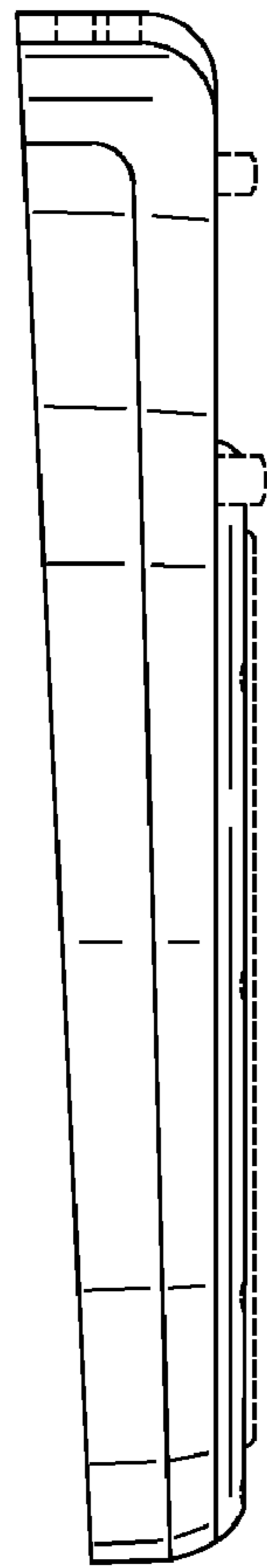


FIG. 5

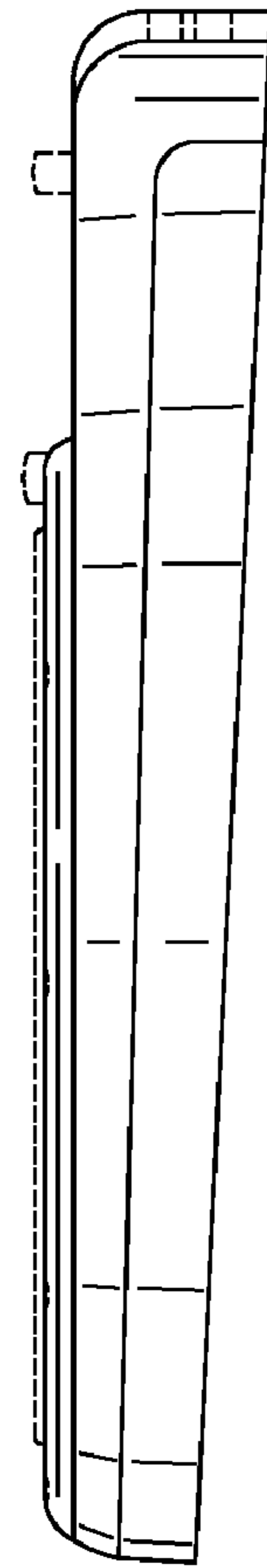


FIG. 6

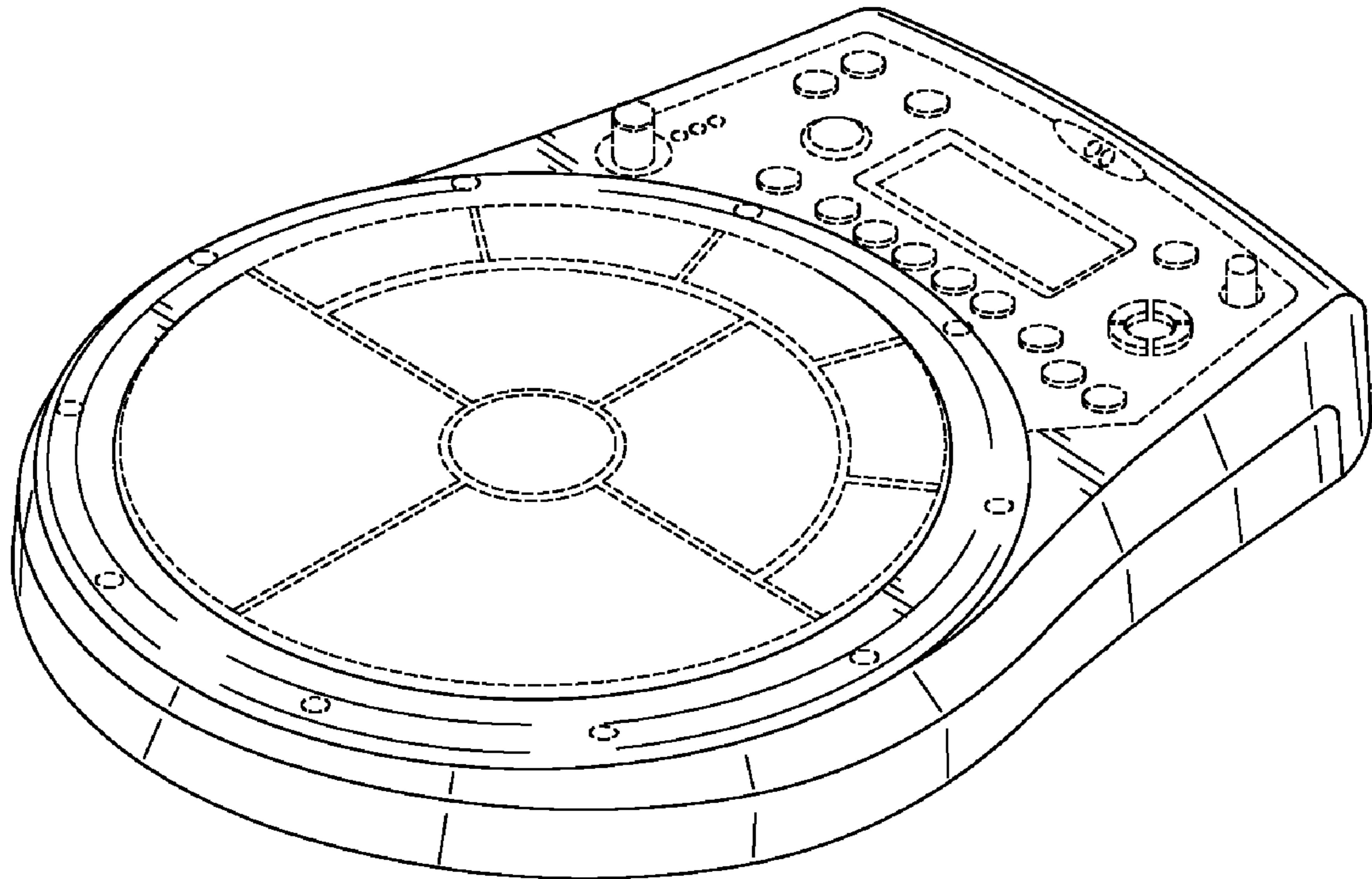


FIG. 7

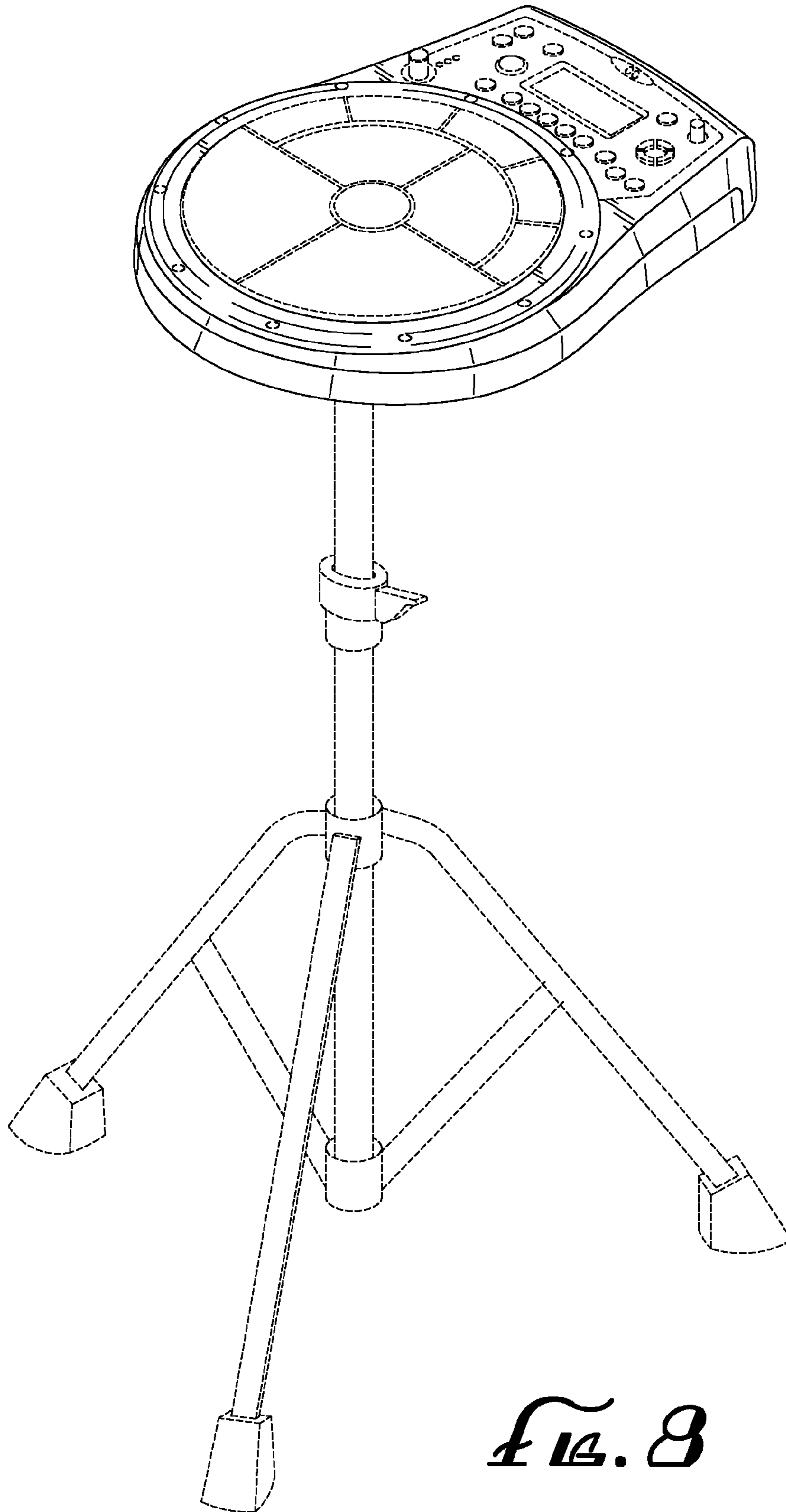


FIG. 8