



US00D559885S

(12) **United States Design Patent**
Schoenert et al.

(10) **Patent No.:** **US D559,885 S**
(45) **Date of Patent:** **** Jan. 15, 2008**

(54) **PROJECTION DEVICE WITH DOCKING STATION**

(75) Inventors: **Richard C. Schoenert**, Sherwood, OR (US); **Phillip H. Salvatori**, Salem, OR (US); **Danny Han**, Happy Valley, OR (US); **Richard Scott Walters**, Cedar Grove, WI (US); **Phillip D. Prestigomo**, Port Washington, WI (US)

(73) Assignee: **InFocus Corporation**, Wilsonville, OR (US)

(**) Term: **14 Years**

(21) Appl. No.: **29/244,687**

(22) Filed: **Dec. 12, 2005**

(51) **LOC (8) Cl.** **16-02**

(52) **U.S. Cl.** **D16/230; D16/225**

(58) **Field of Classification Search** D16/205, D16/208, 213, 229, 231, 221, 225, 230, 235, D16/242, 237; D21/514; D13/160, 162, D13/134, 184, 107, 108; D14/135, 156, D14/157, 160-164, 167, 168, 188, 193-198, D14/257, 258, 265, 128; 353/94, 119, 122, 353/115, 31, 37, 84, 103; 349/7, 8; 348/744, 348/373, 375, 376, 207.1, 207.2
See application file for complete search history.

(56) **References Cited**

U.S. PATENT DOCUMENTS

D247,238 S * 2/1978 Eppich et al. D13/184

D386,509 S * 11/1997 Baar et al. D16/225
D504,696 S * 5/2005 Swayze et al. D18/50
2004/0179135 A1* 9/2004 Battles et al. 348/373
2005/0088572 A1* 4/2005 Pandit et al. 348/375

* cited by examiner

Primary Examiner—Ian Simmons

Assistant Examiner—Wan Laymon

(74) *Attorney, Agent, or Firm*—Alleman Hall McCoy Russell & Tuttle LLP

(57) **CLAIM**

The ornamental design for a projection device with docking station, as shown and described.

DESCRIPTION

FIG. 1 shows a top, front, and left perspective view of a projection device with docking station showing our new design.

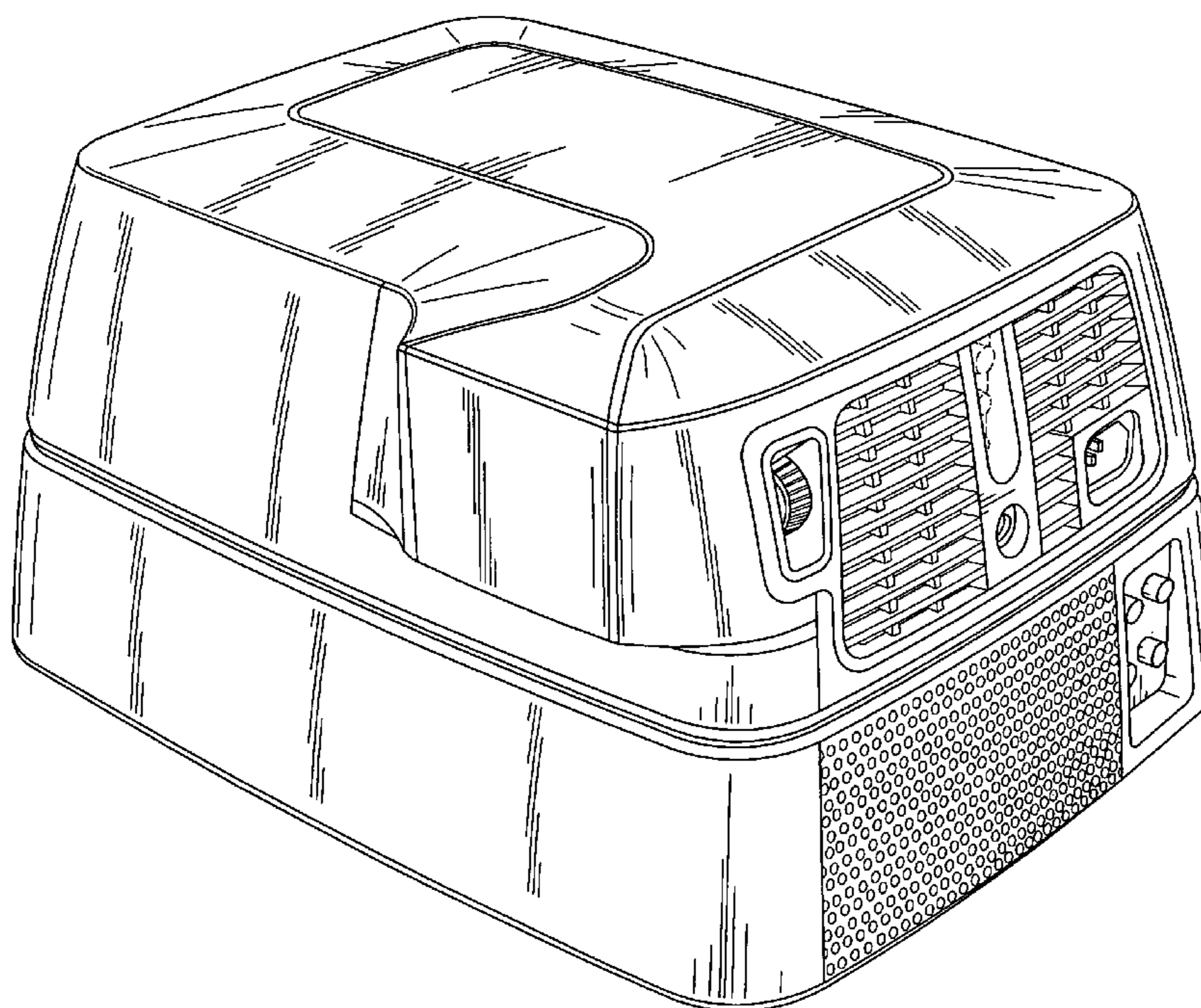
FIG. 2 is a top, rear, and left perspective view thereof.

FIG. 3 is a top and left perspective view thereof; and,

FIG. 4 is a top and right perspective view thereof.

The broken lines in Figures are for illustrative purposes only and form no part of the claimed design.

1 Claim, 4 Drawing Sheets



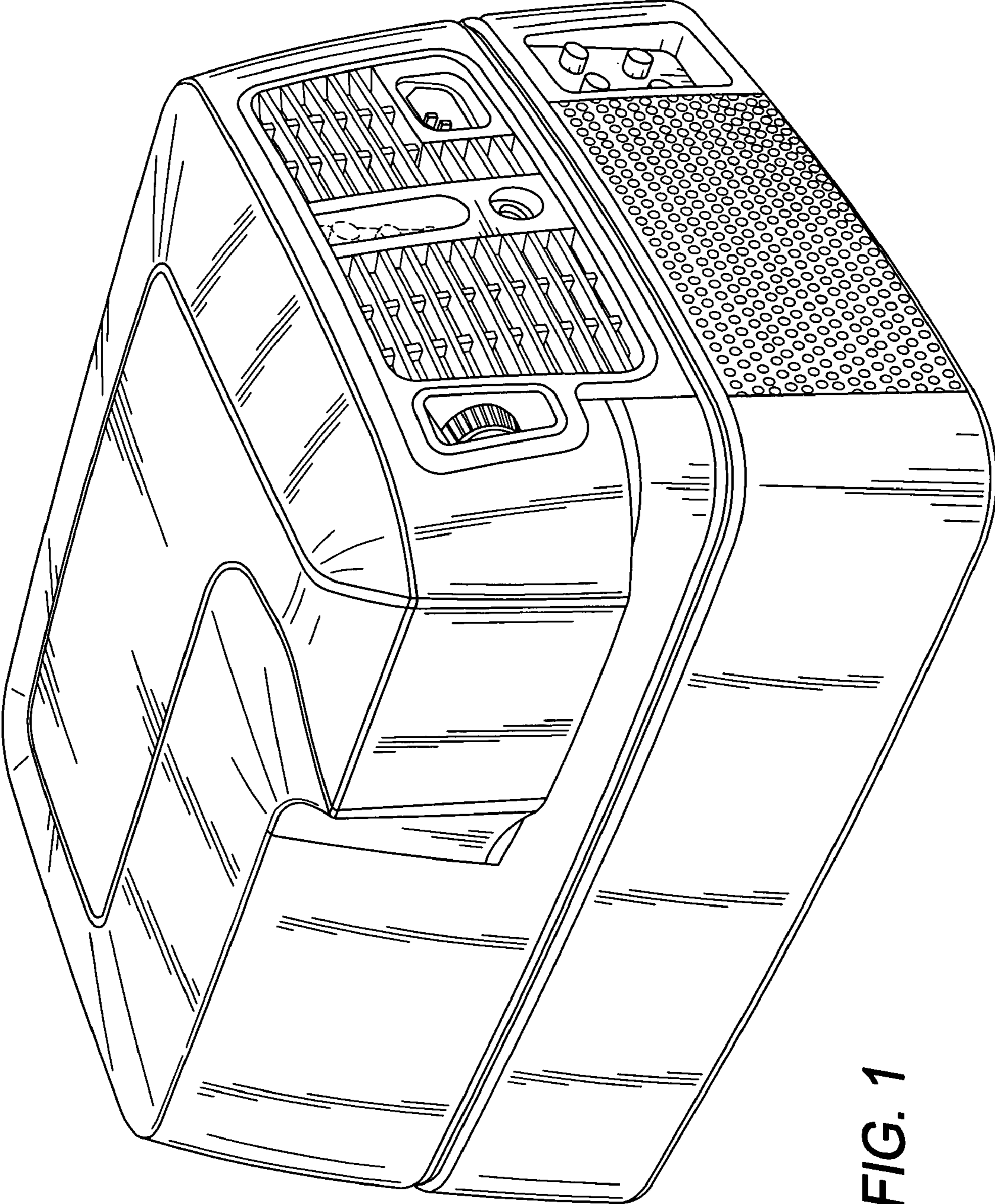


FIG. 1

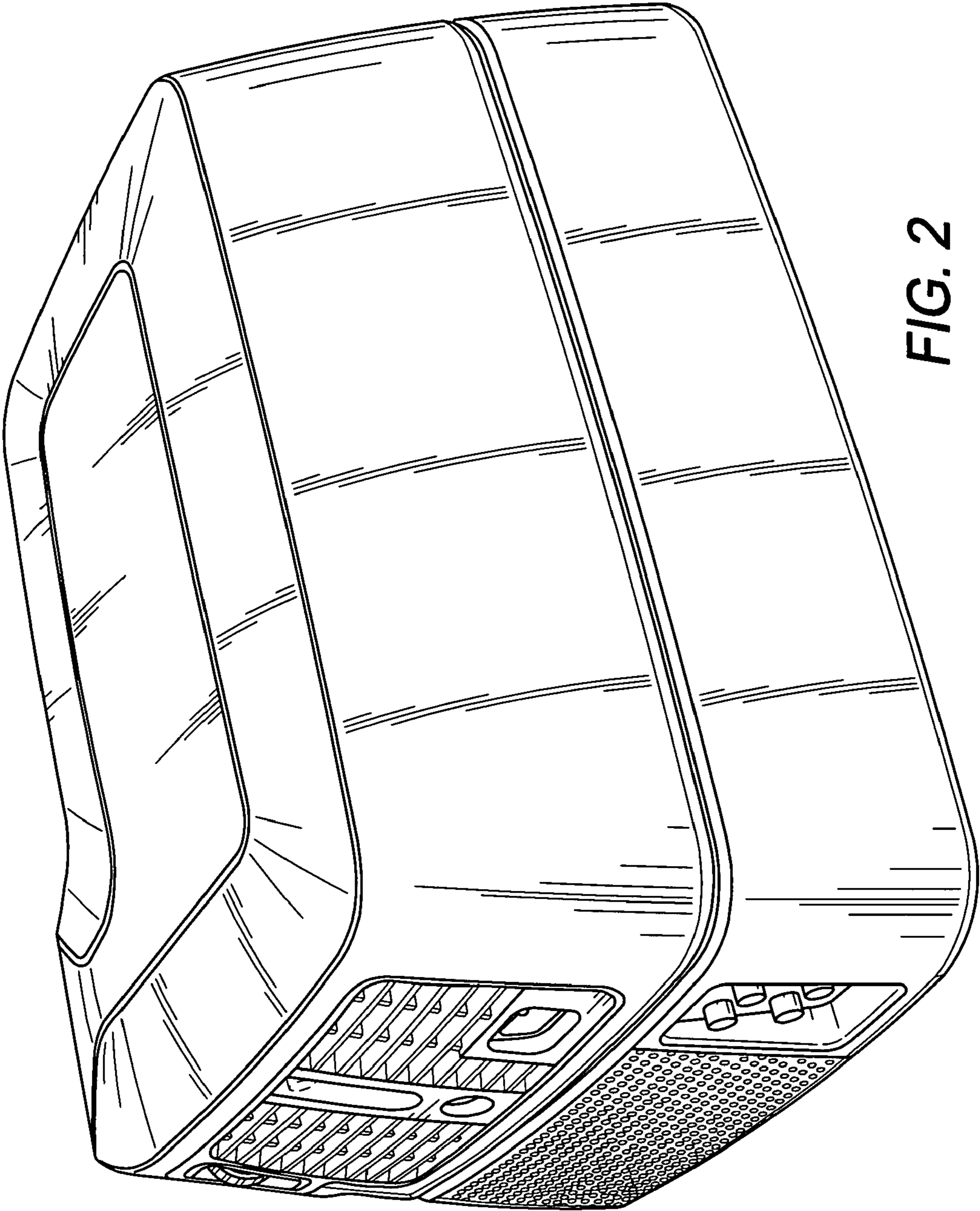


FIG. 2

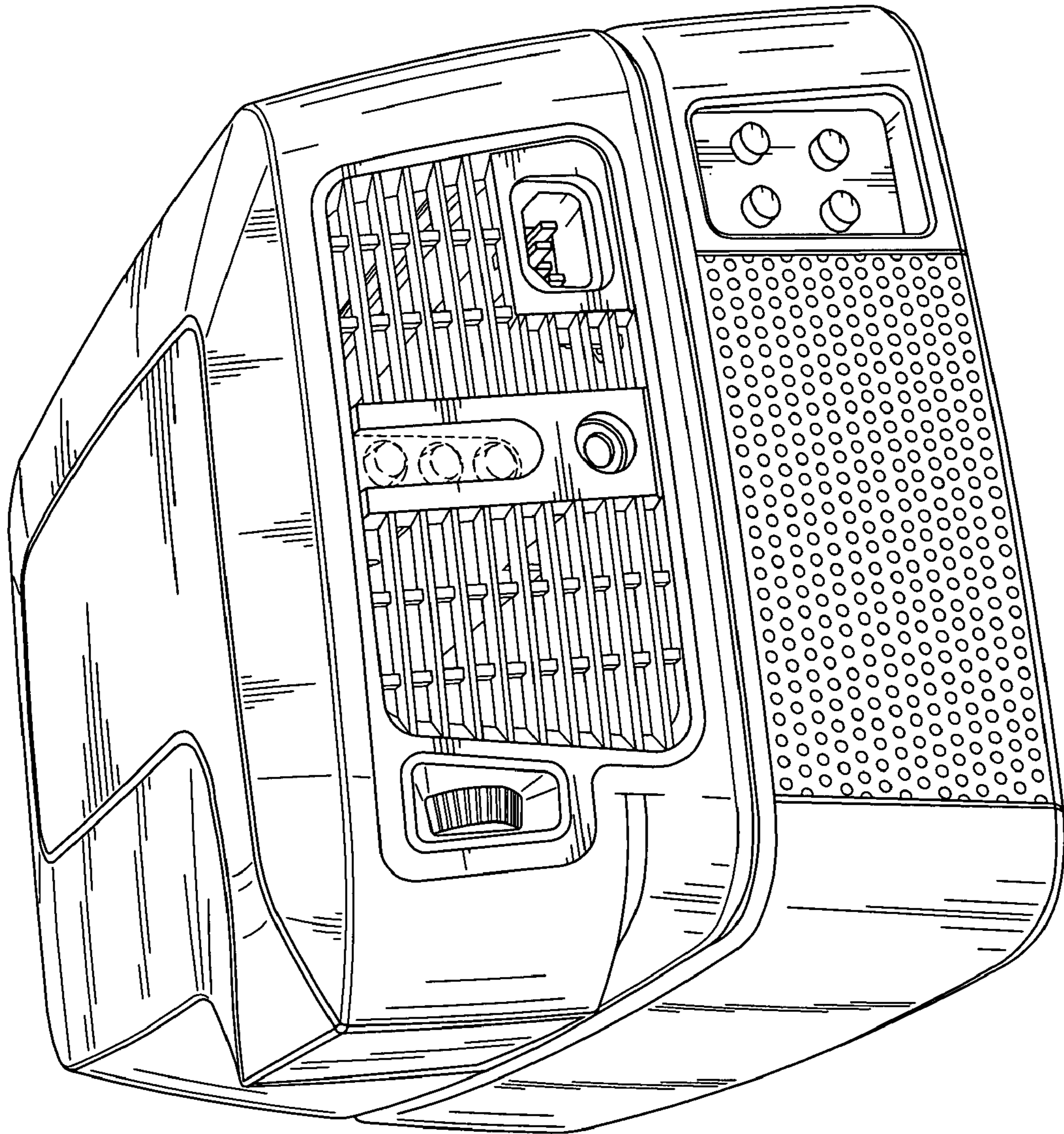


FIG. 3

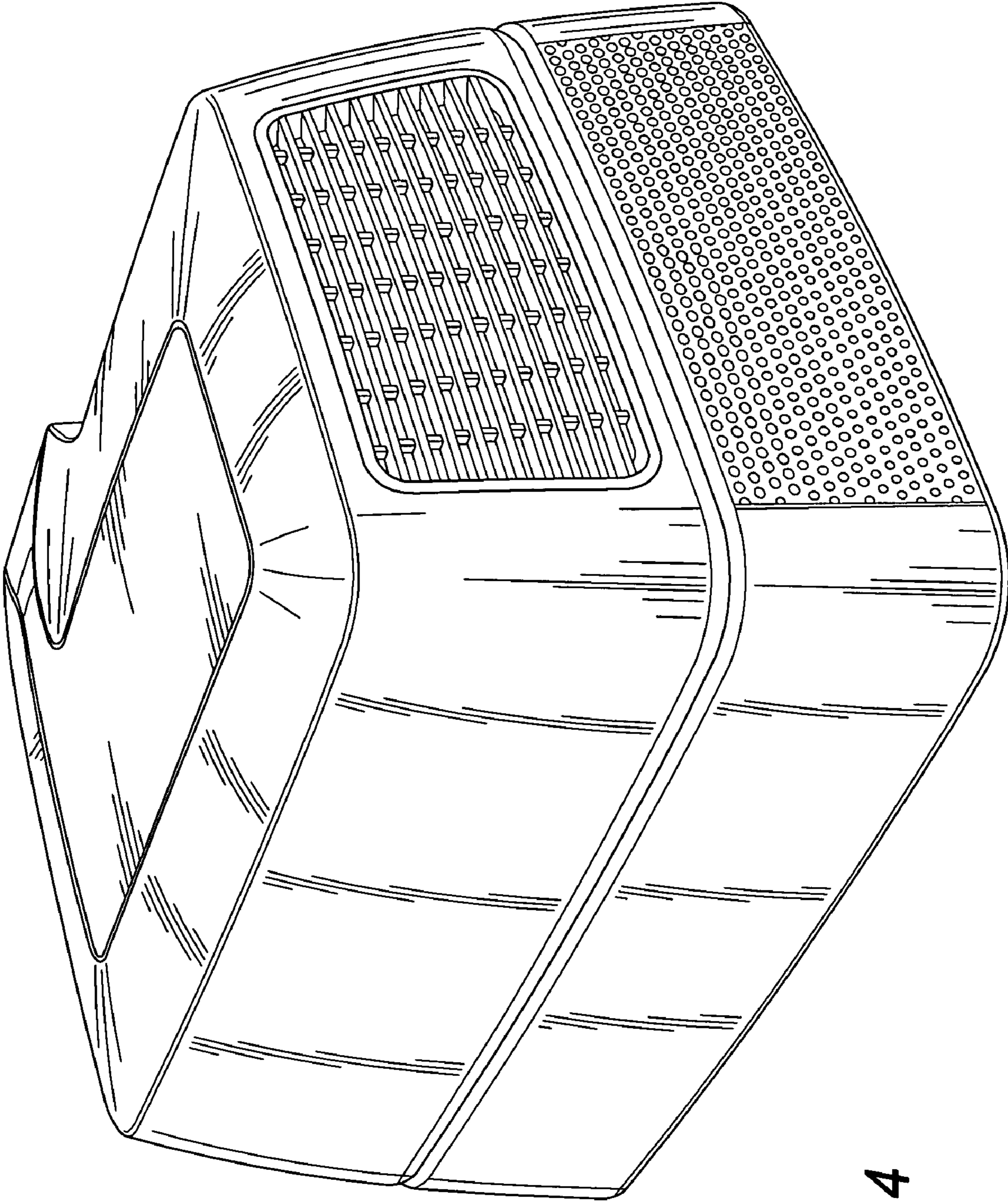


FIG. 4