



US00D559884S

(12) **United States Design Patent**
Tokiwa

(10) **Patent No.:** **US D559,884 S**
(45) **Date of Patent:** **** Jan. 15, 2008**

(54) **CAMERA LENS**

D537,461 S * 2/2007 Tokiwa et al. D16/219
D540,363 S * 4/2007 Tokiwa et al. D16/219

(75) Inventor: **Kentaro Tokiwa**, Asaka (JP)

* cited by examiner

(73) Assignee: **Fujifilm Corporation**, Tokyo (JP)

Primary Examiner—Adir Aronovich

(**) Term: **14 Years**

(74) *Attorney, Agent, or Firm*—Young & Thompson

(21) Appl. No.: **29/263,619**

(57) **CLAIM**

(22) Filed: **Jul. 27, 2006**

The ornamental design for a camera lens, as shown and described.

(30) **Foreign Application Priority Data**

Mar. 30, 2006 (JP) 2006-008299

DESCRIPTION

(51) **LOC (8) Cl.** **16-05**

FIG. 1 is a top, front and left side perspective view of a camera lens showing my new design;

(52) **U.S. Cl.** **D16/219; D16/134**

FIG. 2 is a front elevational view thereof;

(58) **Field of Classification Search** D16/134,

FIG. 3 is a bottom plan view thereof;

D16/136, 200, 202, 218, 219; 348/373–374;
358/909.1; 359/815, 819, 826–828; 396/529–532,
396/535, 540, 541, 544

FIG. 4 is a top plan view thereof;

See application file for complete search history.

FIG. 5 is a side elevational view thereof from the right of FIG. 2;

(56) **References Cited**

FIG. 6 is a side elevational view thereof from the left of FIG. 2; and,

U.S. PATENT DOCUMENTS

4,352,548 A * 10/1982 Toyota 396/529
4,457,609 A * 7/1984 Tomino et al. 396/532
5,040,011 A * 8/1991 Tiffen 396/544
6,369,960 B2 * 4/2002 Azegami 359/819
D537,096 S * 2/2007 Tokiwa et al. D16/219

FIG. 7 is a top, front and left side perspective view with the lens parts in a different position.

The broken lines show environmental structure and do not form a part of the design claimed in the present application.

1 Claim, 5 Drawing Sheets

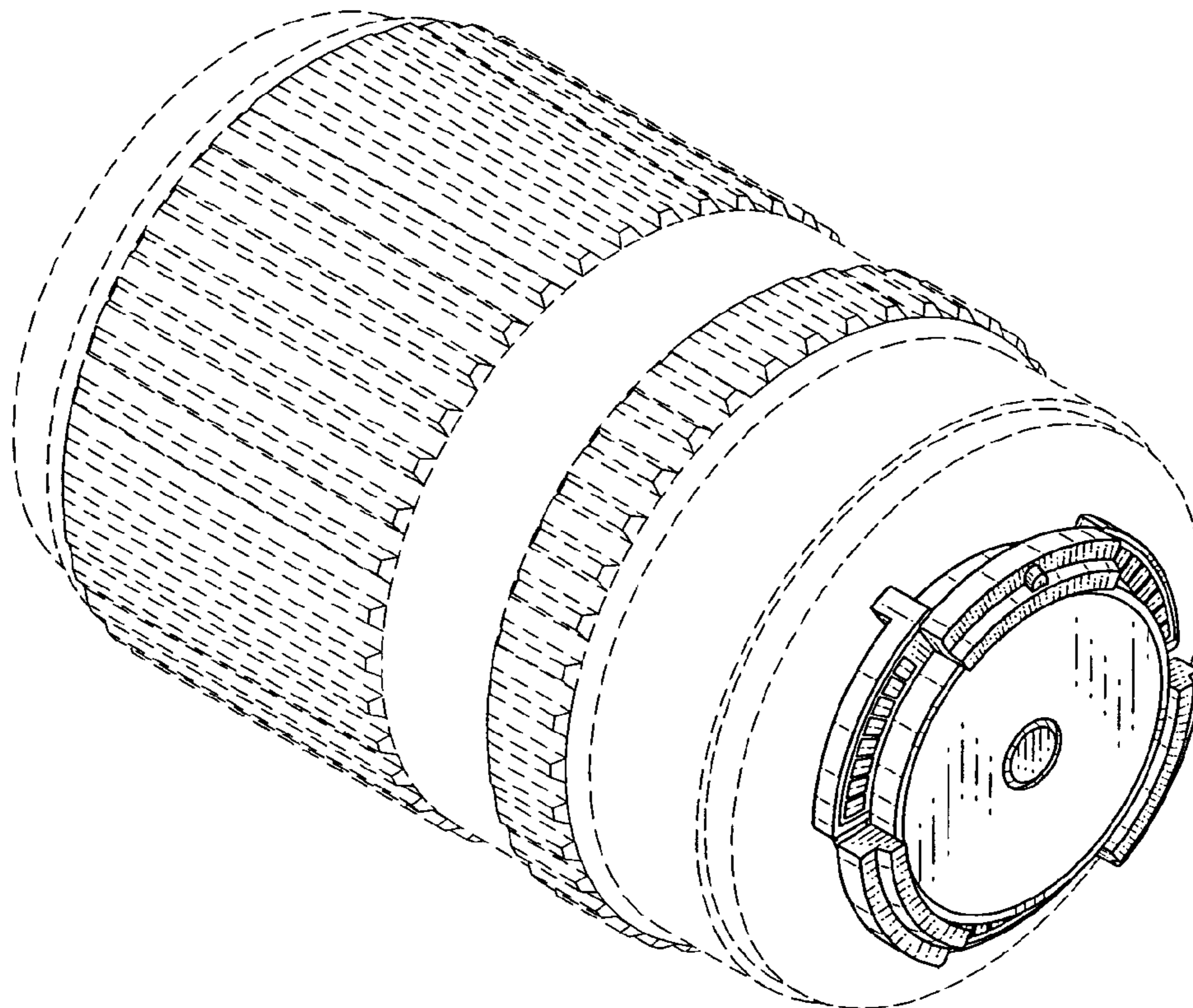


FIG. 1

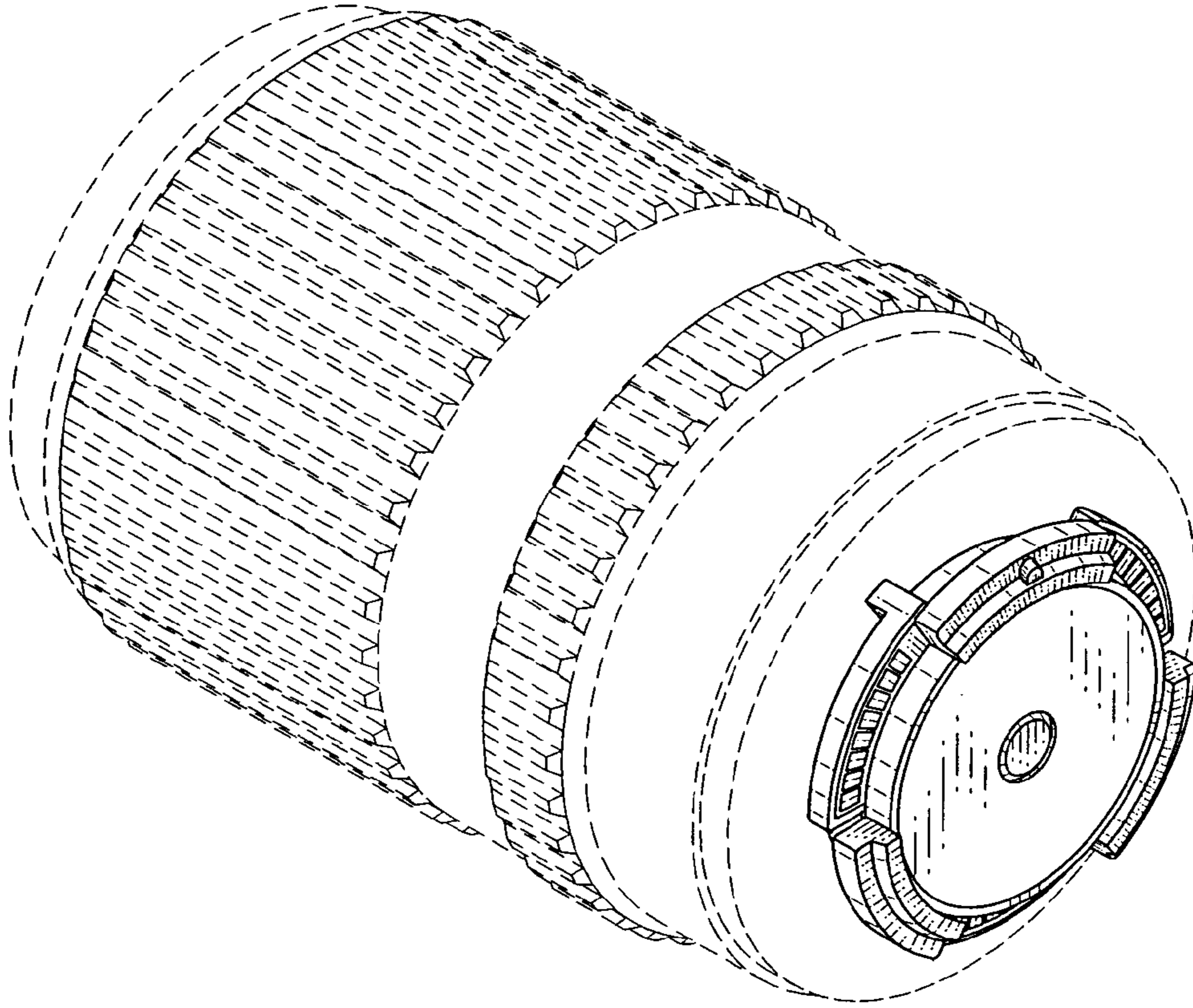


FIG. 2

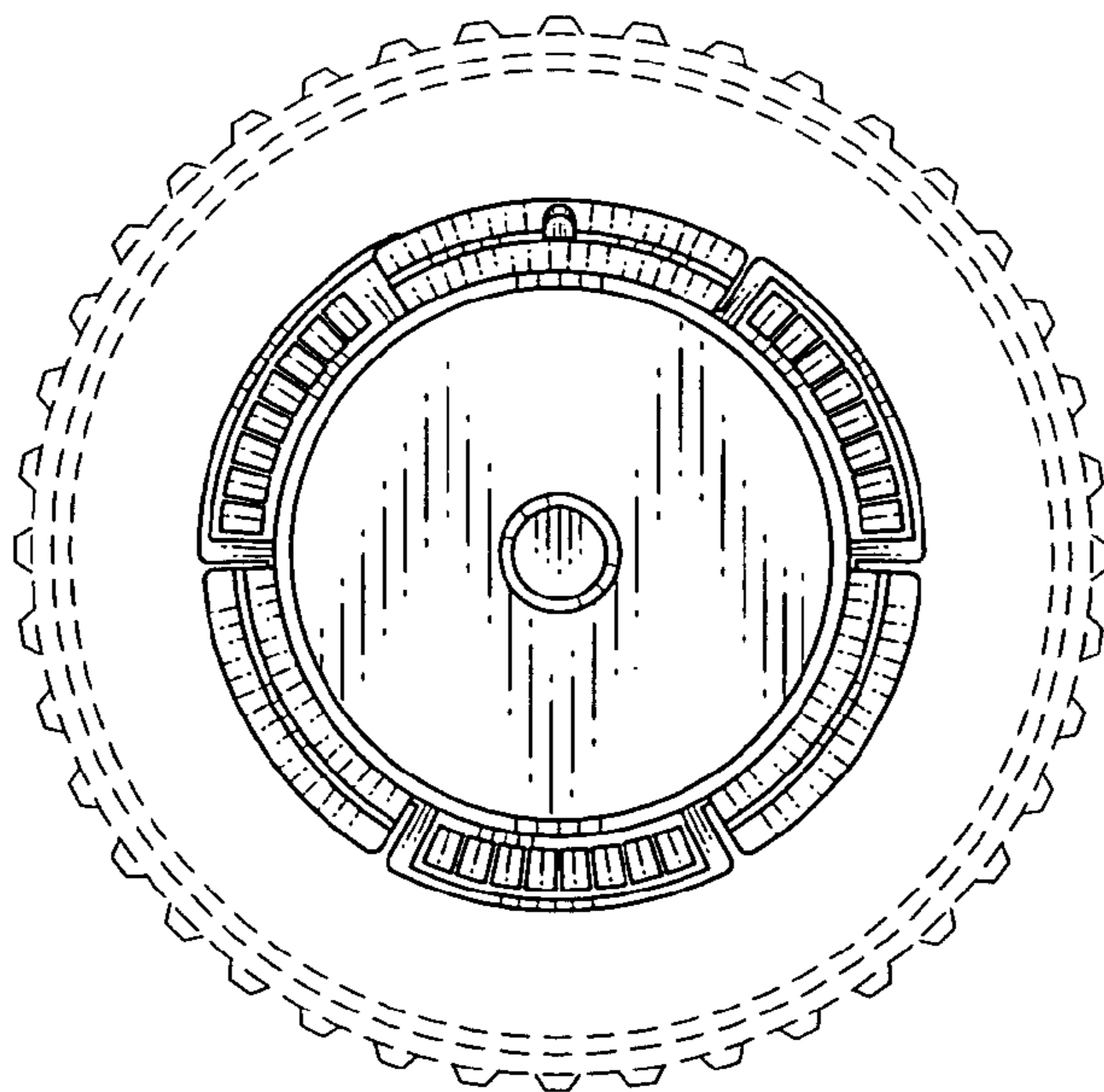


FIG. 3

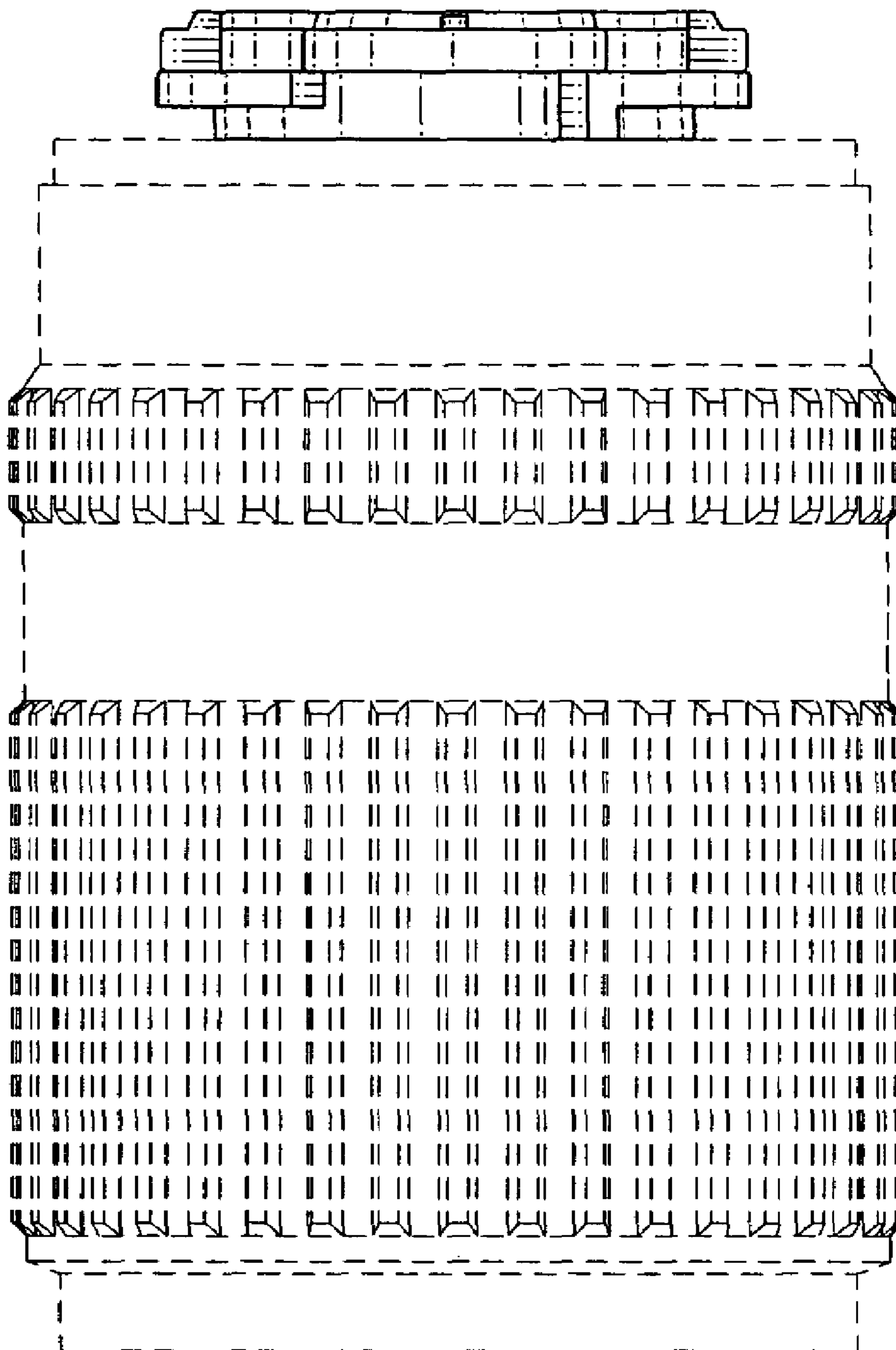


FIG. 4

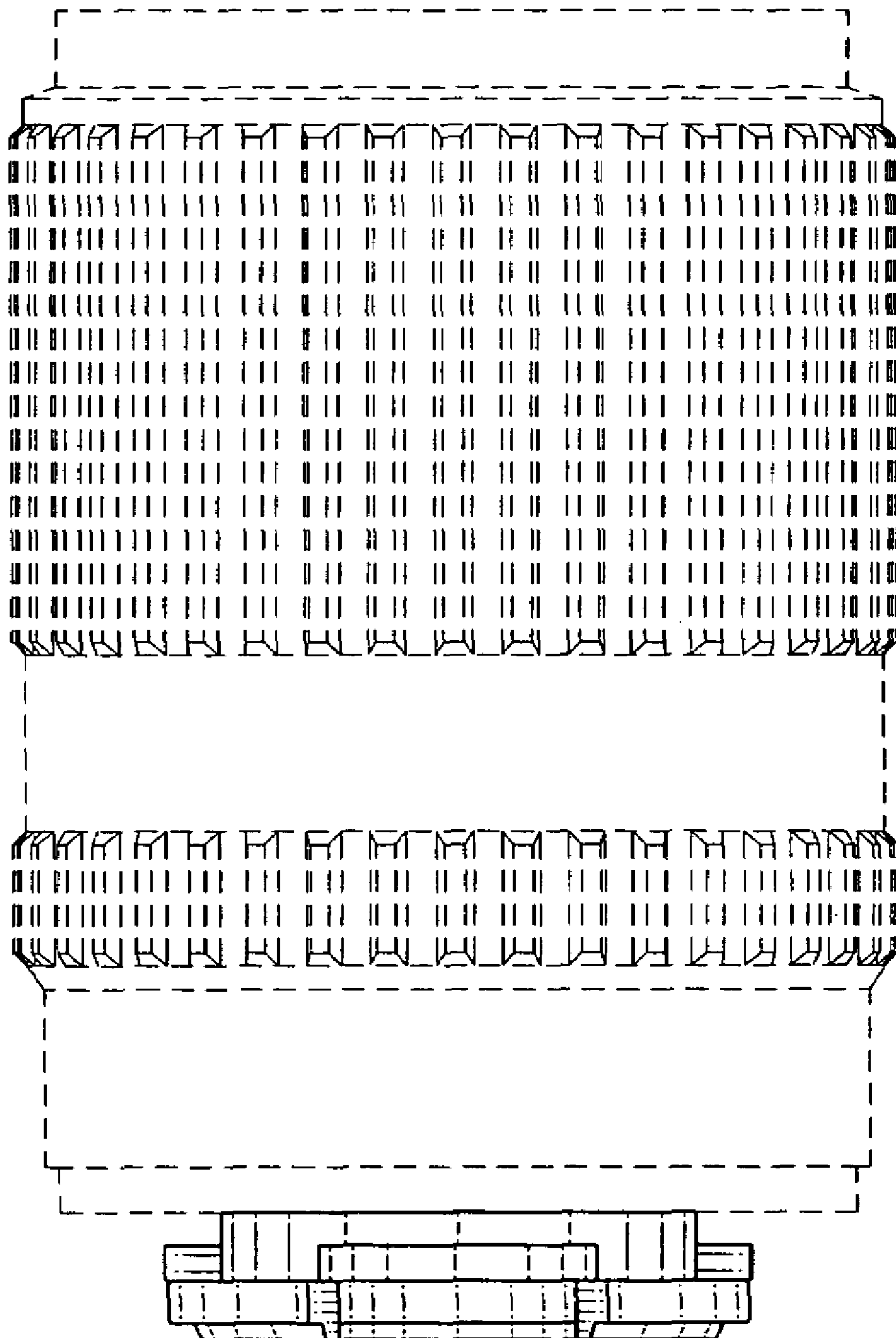


FIG. 5

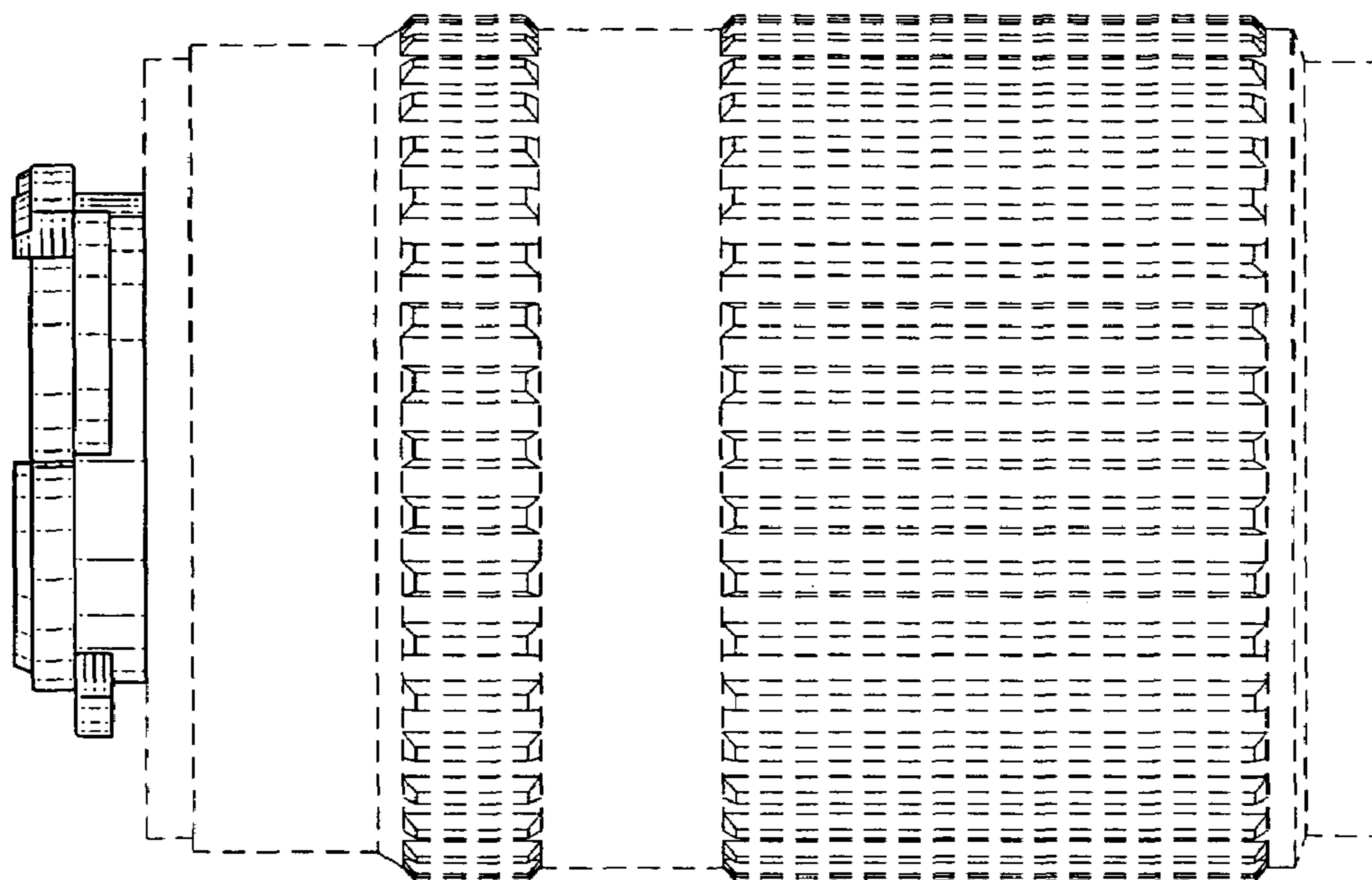


FIG. 6

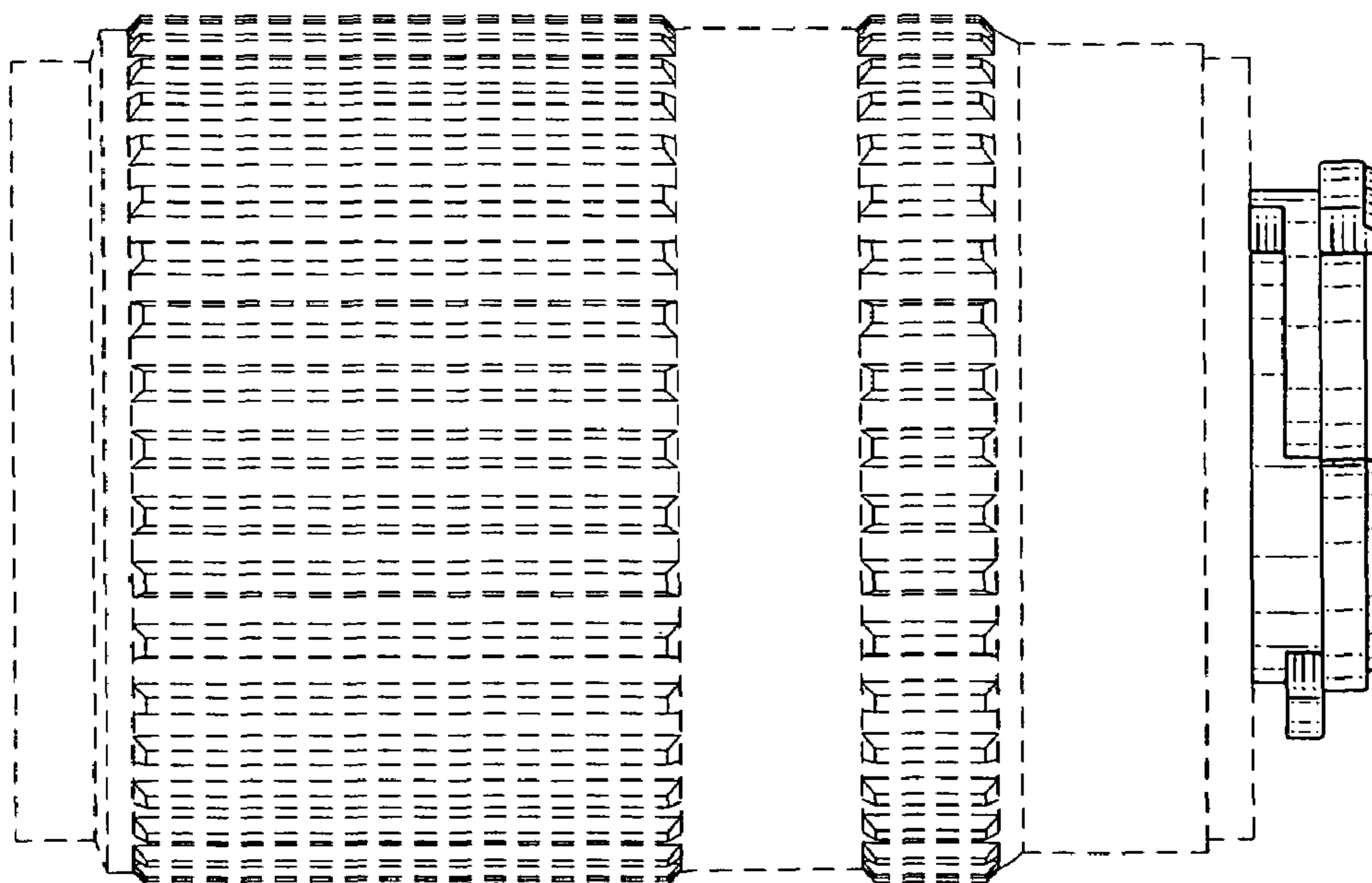


FIG.7

