



US00D559882S

(12) **United States Design Patent**
Nakamura

(10) **Patent No.:** **US D559,882 S**
(45) **Date of Patent:** **** Jan. 15, 2008**

(54) **CAMERA**

(75) Inventor: **Takatoshi Nakamura**, Shinagawa-ku
(JP)

(73) Assignee: **Sony Computer Entertainment Inc.**,
Tokyo (JP)

(**) Term: **14 Years**

(21) Appl. No.: **29/263,545**

(22) Filed: **Jul. 26, 2006**

(30) **Foreign Application Priority Data**

Jan. 31, 2006 (JP) 2006-002054

(51) **LOC (8) Cl.** **16-01**

(52) **U.S. Cl.** **D16/218**

(58) **Field of Classification Search** D16/200-206,
D16/208, 212, 213, 218; 348/373-376; 358/909.1;
396/535-541

See application file for complete search history.

(56) **References Cited**

U.S. PATENT DOCUMENTS

- D216,849 S * 3/1970 Rhoades D16/221
- D258,444 S * 3/1981 Mineshima D16/218
- D425,924 S * 5/2000 Burchard et al. D16/218
- D449,628 S * 10/2001 Obata et al. D16/202
- D477,345 S * 7/2003 Hildreth D16/203
- D506,215 S 6/2005 Lin et al.
- D528,576 S 9/2006 Chung et al.
- D530,731 S * 10/2006 Tanaka et al. D16/202

- D530,732 S * 10/2006 Tanaka et al. D16/202
- D533,887 S * 12/2006 Logan et al. D16/208
- D535,676 S * 1/2007 Dayan D16/218

FOREIGN PATENT DOCUMENTS

- JP D1070961 S 5/2000
- TW 430391 4/2001
- TW 586844 5/2004

OTHER PUBLICATIONS

Taiwan IPO Search Report dated May 8, 2007.

* cited by examiner

Primary Examiner—Adir Aronovich

(74) *Attorney, Agent, or Firm*—Rader, Fishman & Grauer
PLLC

(57) **CLAIM**

The ornamental design for a camera, as shown.

DESCRIPTION

FIG. 1 is a bottom left front perspective view of a camera showing my new design;

FIG. 2 is a front elevational perspective view thereof;

FIG. 3 is a rear elevational view thereof;

FIG. 4 is a left elevational view thereof;

FIG. 5 is a right elevational view thereof;

FIG. 6 is a top plan view thereof; and,

FIG. 7 is a bottom plan view thereof.

1 Claim, 7 Drawing Sheets

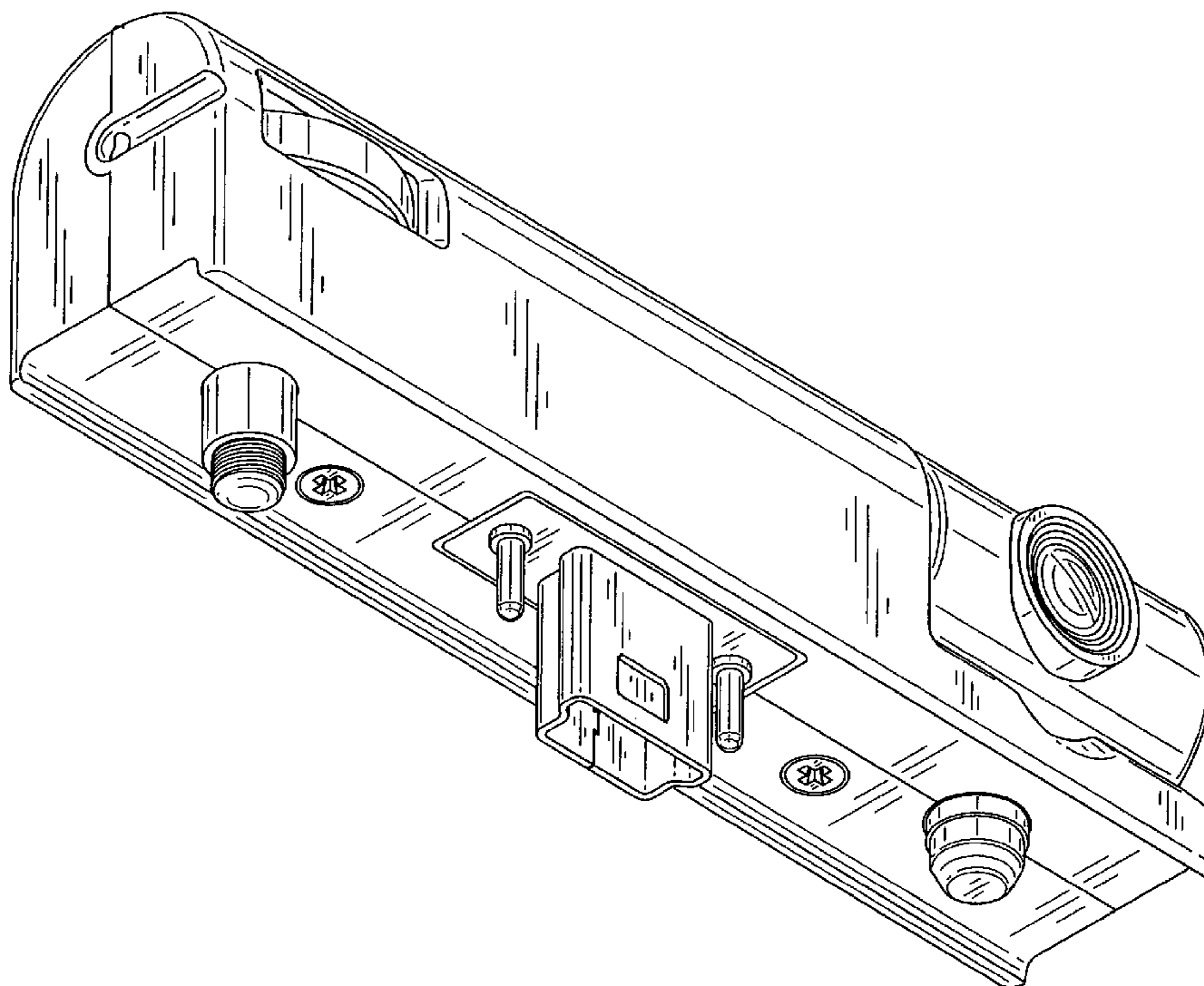


Fig. 1

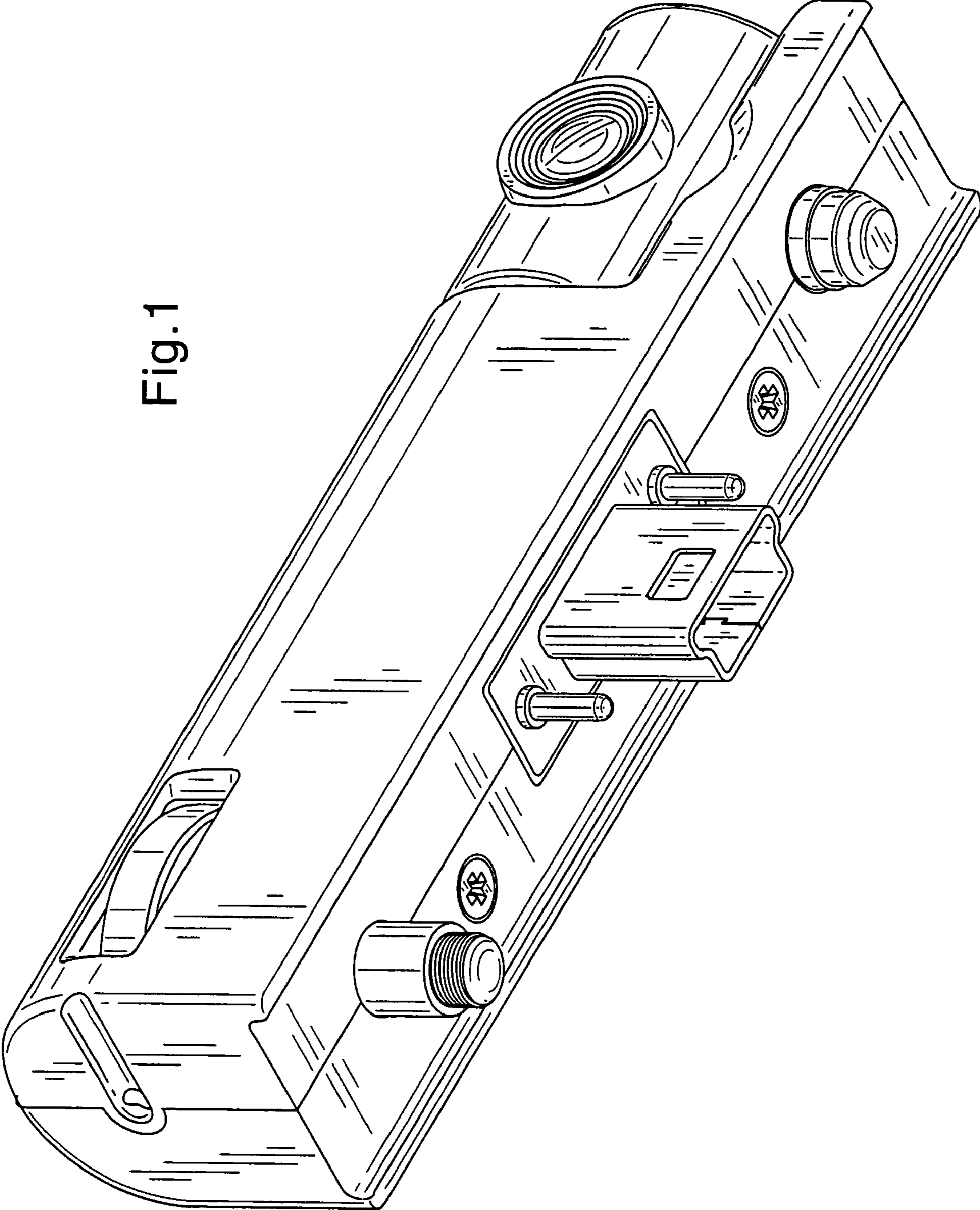


Fig.2

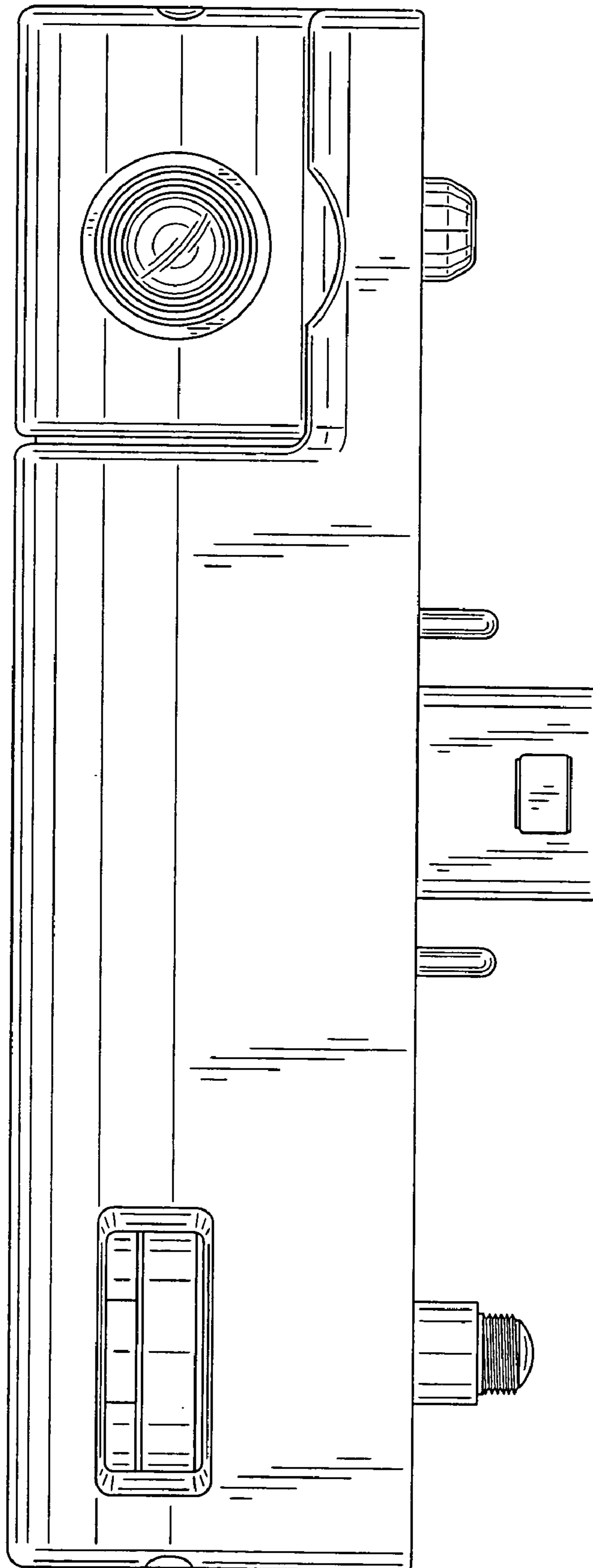


Fig. 3

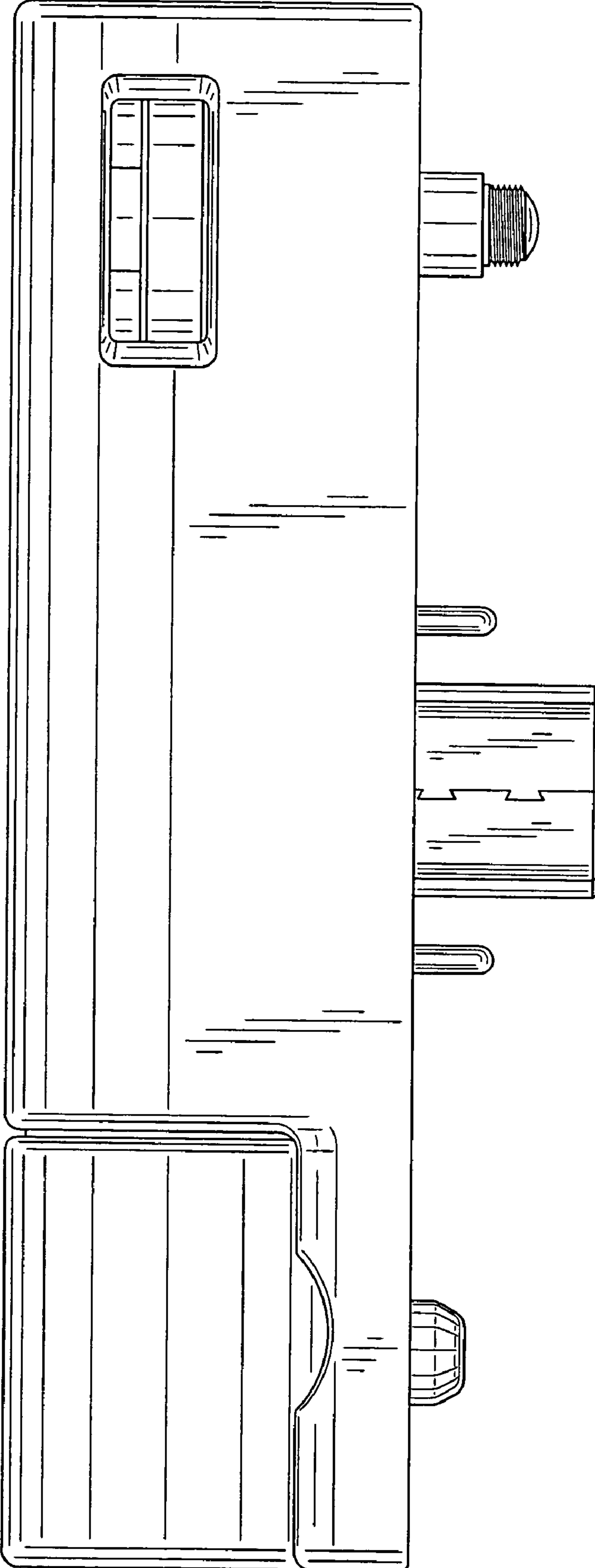


Fig.4

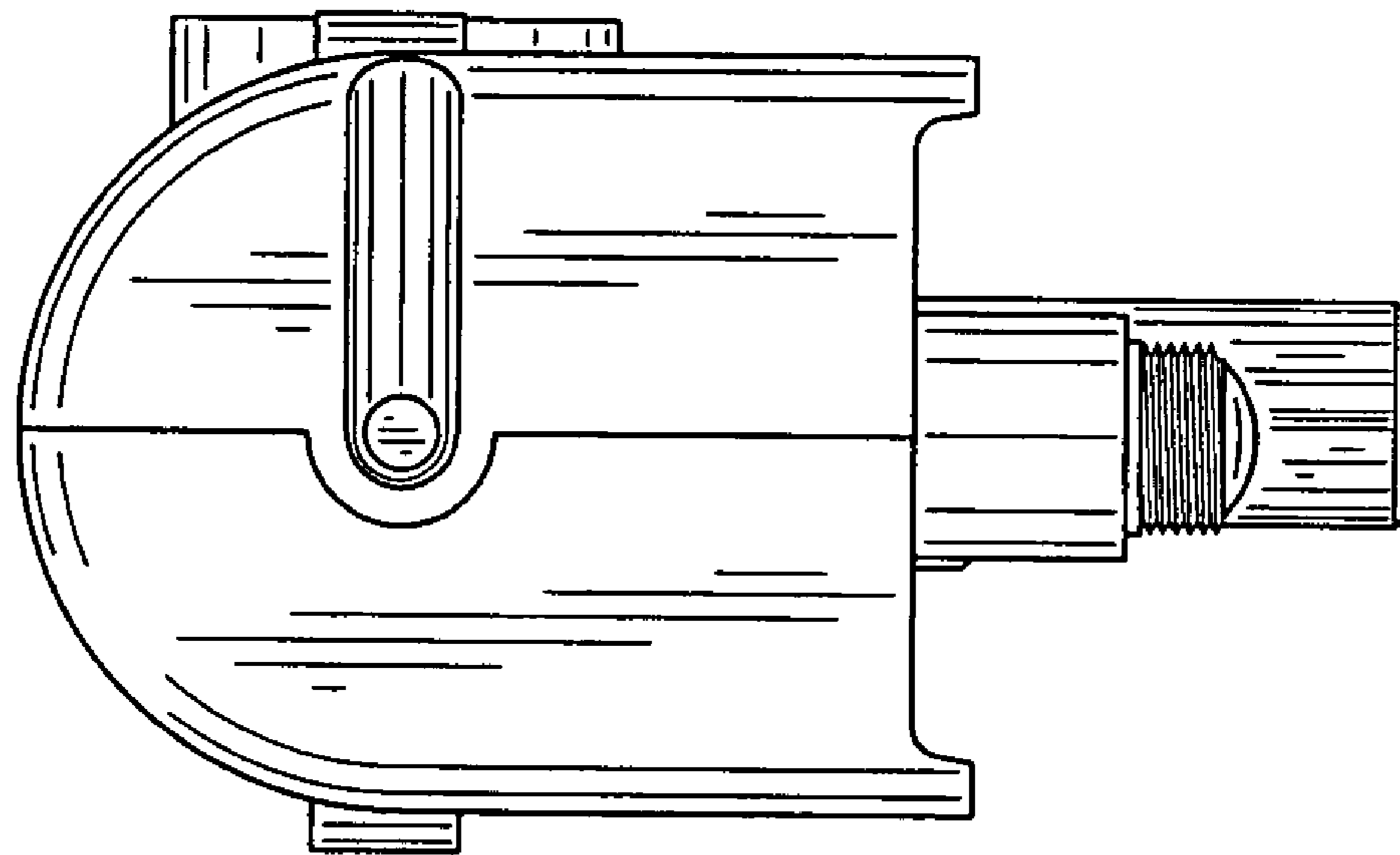


Fig. 5

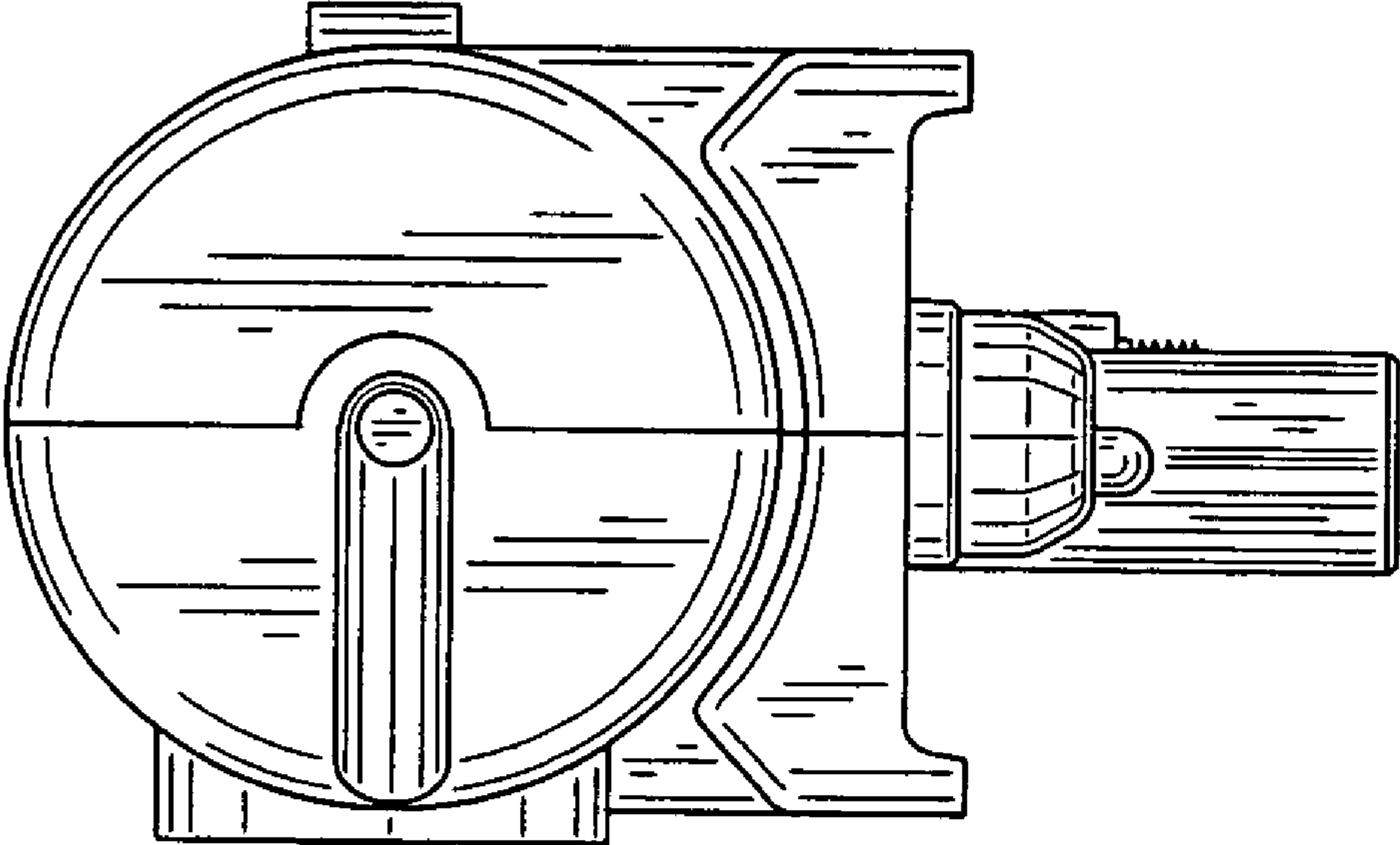


Fig.6

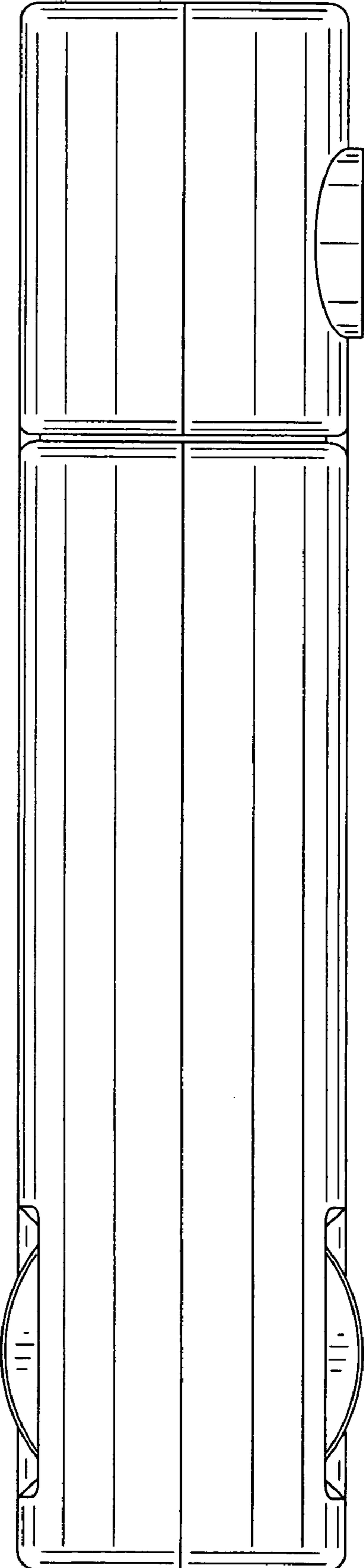


Fig. 7

