



US00D559881S

(12) **United States Design Patent**
Yoneji

(10) **Patent No.:** **US D559,881 S**
(45) **Date of Patent:** **** Jan. 15, 2008**

(54) **SURVEILLANCE CAMERA FOR AN
AUTOMOBILE**

2003/0103140 A1* 6/2003 Watkins 348/148
2005/0140785 A1* 6/2005 Mazzilli 348/148
2007/0104478 A1* 5/2007 Takahashi 396/427

(75) Inventor: **Osamu Yoneji**, Yokkaichi (JP)

FOREIGN PATENT DOCUMENTS

(73) Assignees: **Autonetworks Technologies, Ltd.**,
Mie-Ken (JP); **Sumitomo Wiring
Systems, Ltd.**, Mie-Ken (JP);
Sumitomo Electric Industries, Ltd.,
Osaka (JP)

JP 1220983 9/2004
JP 1220984 9/2004
JP 1226643 11/2004
JP 1226644 11/2004
JP 1226645 11/2004
JP 1226646 11/2004
JP 1226647 11/2004

(**) Term: **14 Years**

* cited by examiner

(21) Appl. No.: **29/240,802**

Primary Examiner—Ian Simmons
Assistant Examiner—Wan Laymon

(22) Filed: **Oct. 18, 2005**

(74) *Attorney, Agent, or Firm*—Sawyer Law Group LLP

(30) **Foreign Application Priority Data**

Apr. 22, 2005 (JP) 2005-012097
Apr. 22, 2005 (JP) 2005-012098
Apr. 22, 2005 (JP) 2005-012099
Sep. 27, 2005 (JP) 2005-027818
Sep. 27, 2005 (JP) 2005-027819

(57) **CLAIM**

The ornamental design for a surveillance camera for an automobile, as shown and described.

(51) **LOC (8) Cl.** **16-01**
(52) **U.S. Cl.** **D16/203**
(58) **Field of Classification Search** D16/200–204,
D16/208–209, 219, 134, 136, 205–206, 210,
D16/217; D12/177, 400; 340/434–436,
340/438, 932.2, 933, 937; 348/118, 140,
348/142, 148, 151, 153, 159, 113, 143, 373–376;
396/421, 424, 427, 448, 428, 429, 433, 535–541;
224/488, 558

DESCRIPTION

FIG. 1 is a perspective view of a surveillance camera for an automobile showing the new design;
FIG. 2 is a front view thereof;
FIG. 3 is a rear view thereof;
FIG. 4 is a top plan view thereof;
FIG. 5 is a bottom plan view thereof; and
FIG. 6 is a right side elevational view thereof, the left side elevational view being a mirror image of FIG. 6;
FIG. 7 is a perspective view of a surveillance camera for an automobile to a second embodiment of the present design;
FIG. 8 is a front view thereof;
FIG. 9 is a rear view thereof;
FIG. 10 is a top view thereof;
FIG. 11 is a bottom plan view thereof; and,
FIG. 12 is a right side elevational view thereof, the left side elevational view being a mirror image of FIG. 12.

See application file for complete search history.

(56) **References Cited**

U.S. PATENT DOCUMENTS

D339,365 S * 9/1993 Urcuilio D16/203
5,850,254 A * 12/1998 Takano et al. 348/148
6,524,020 B2 * 2/2003 Ellinger et al. 396/419
D489,743 S * 5/2004 Owada D16/203
6,795,111 B1 * 9/2004 Mazzilli 348/148
6,819,231 B2 * 11/2004 Berberich et al. 340/435
7,030,778 B2 * 4/2006 Ra 340/937

1 Claim, 10 Drawing Sheets

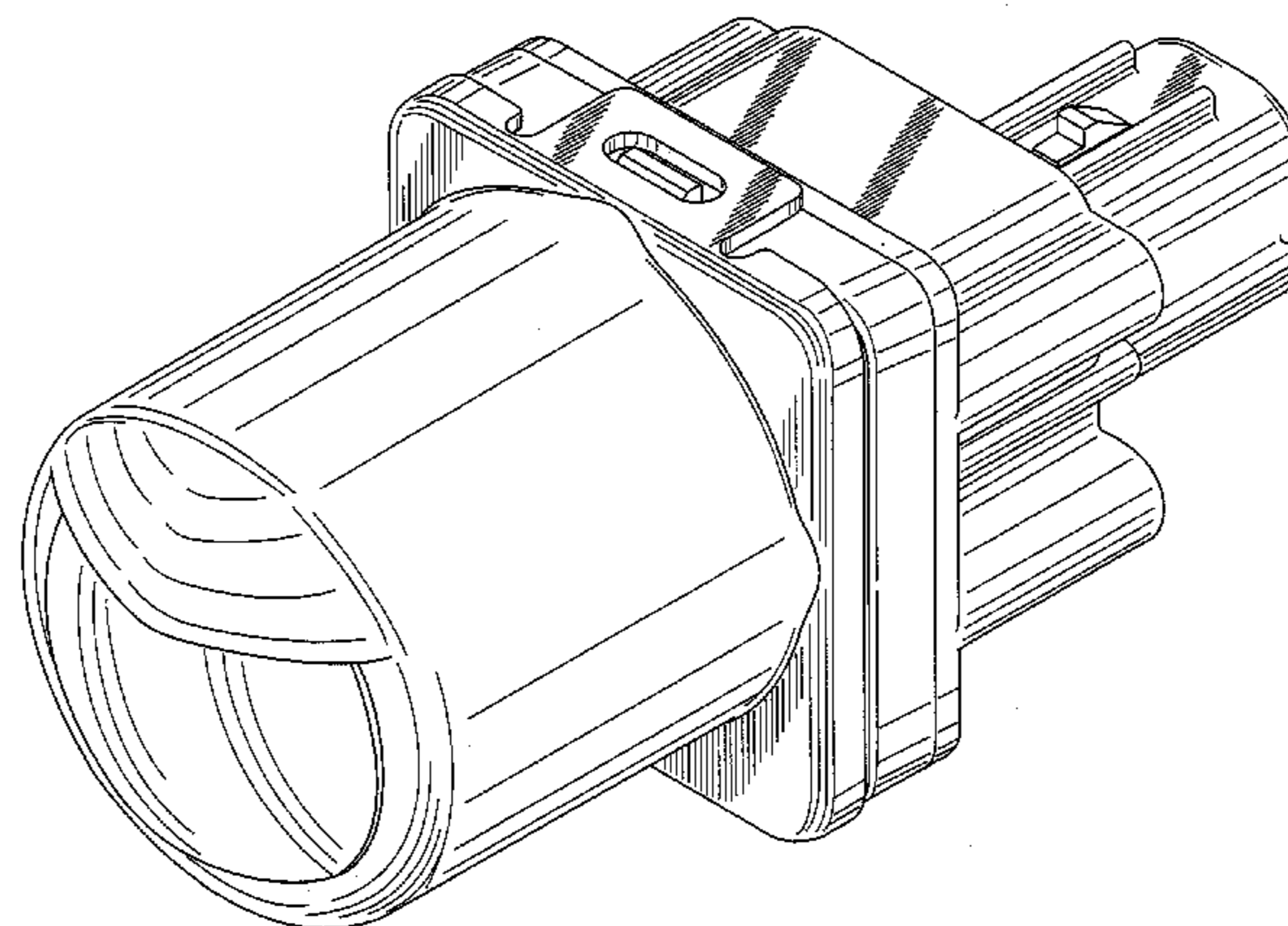


Fig. 1

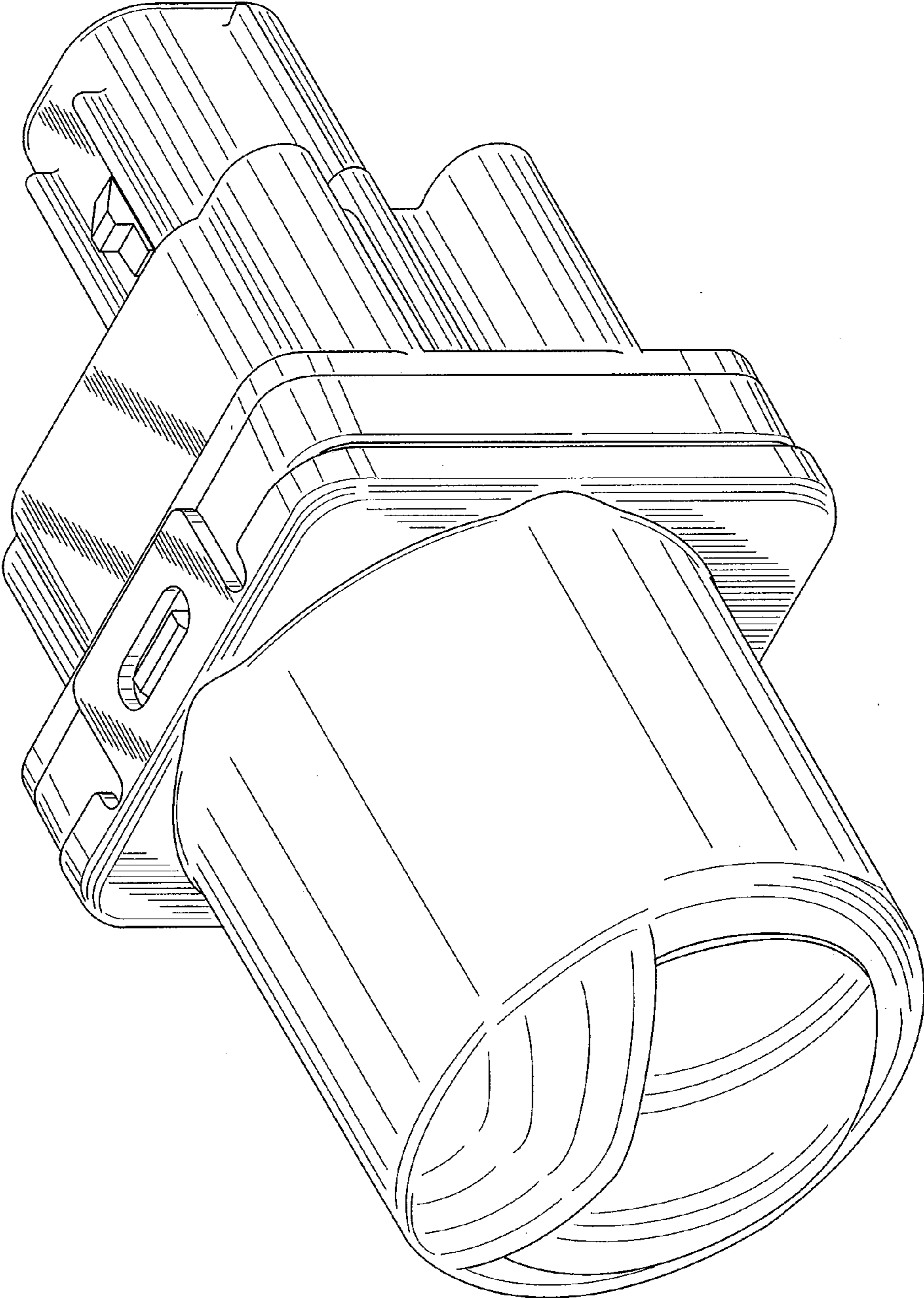


Fig. 2

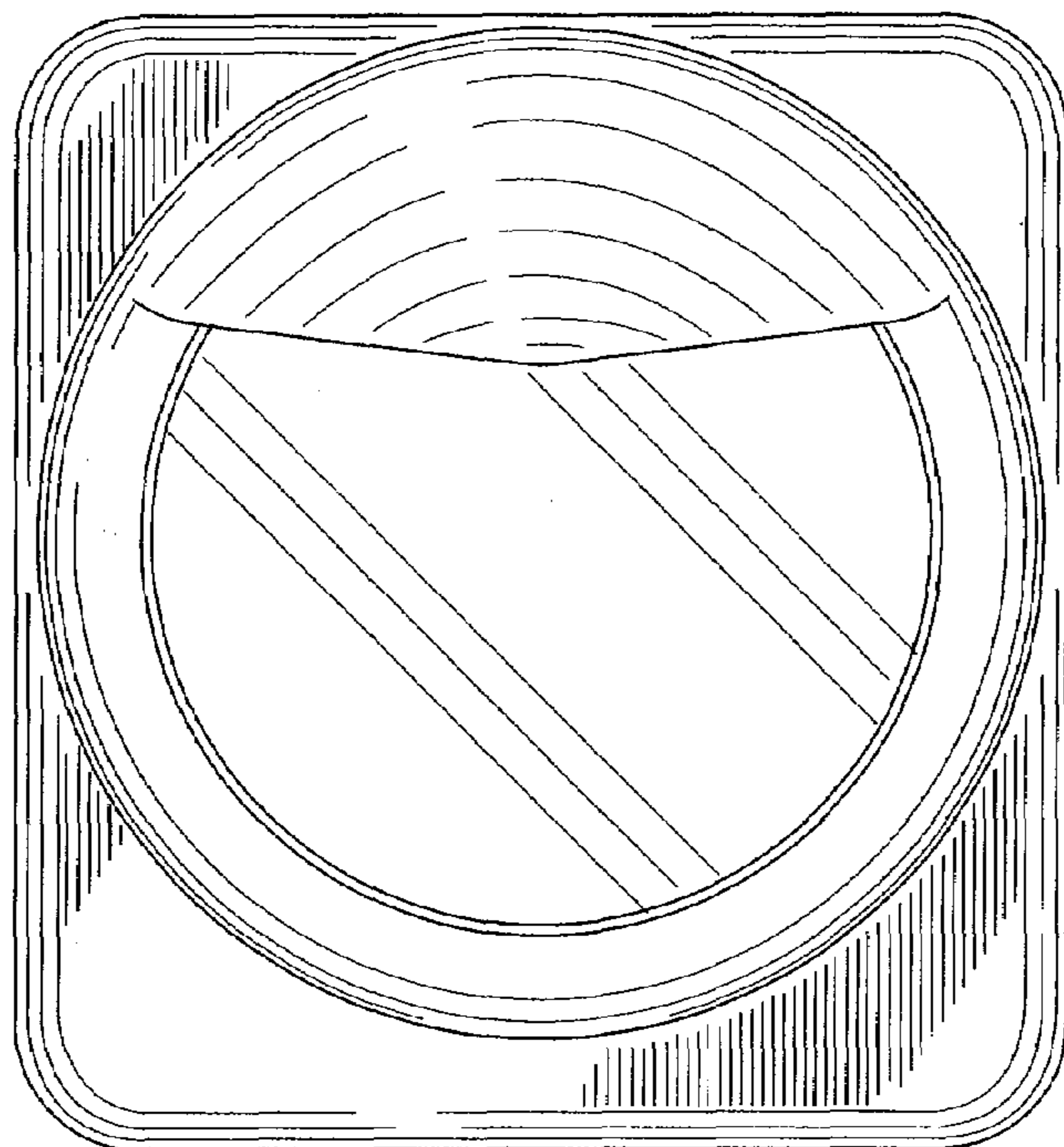


Fig. 3

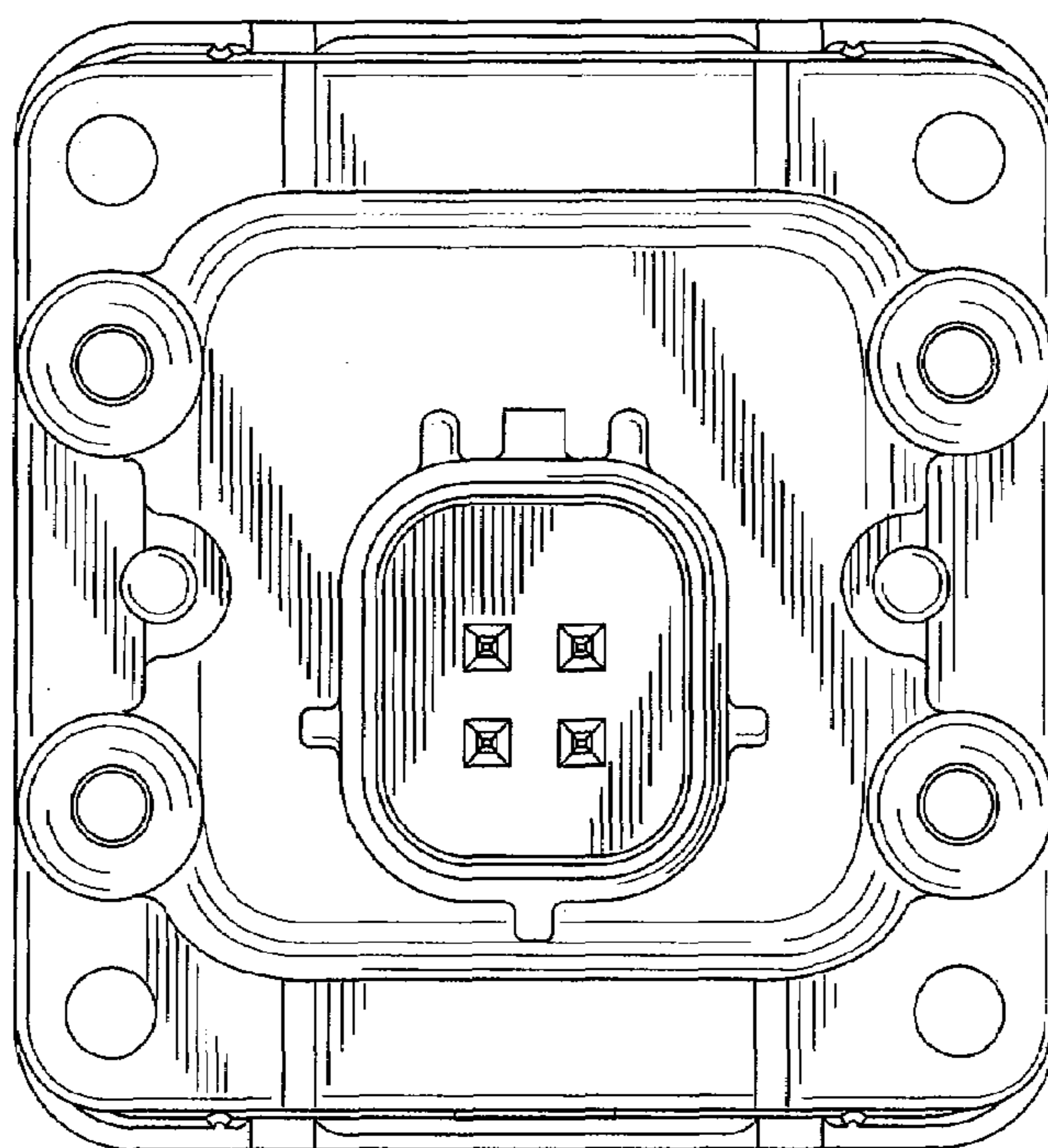


Fig. 4

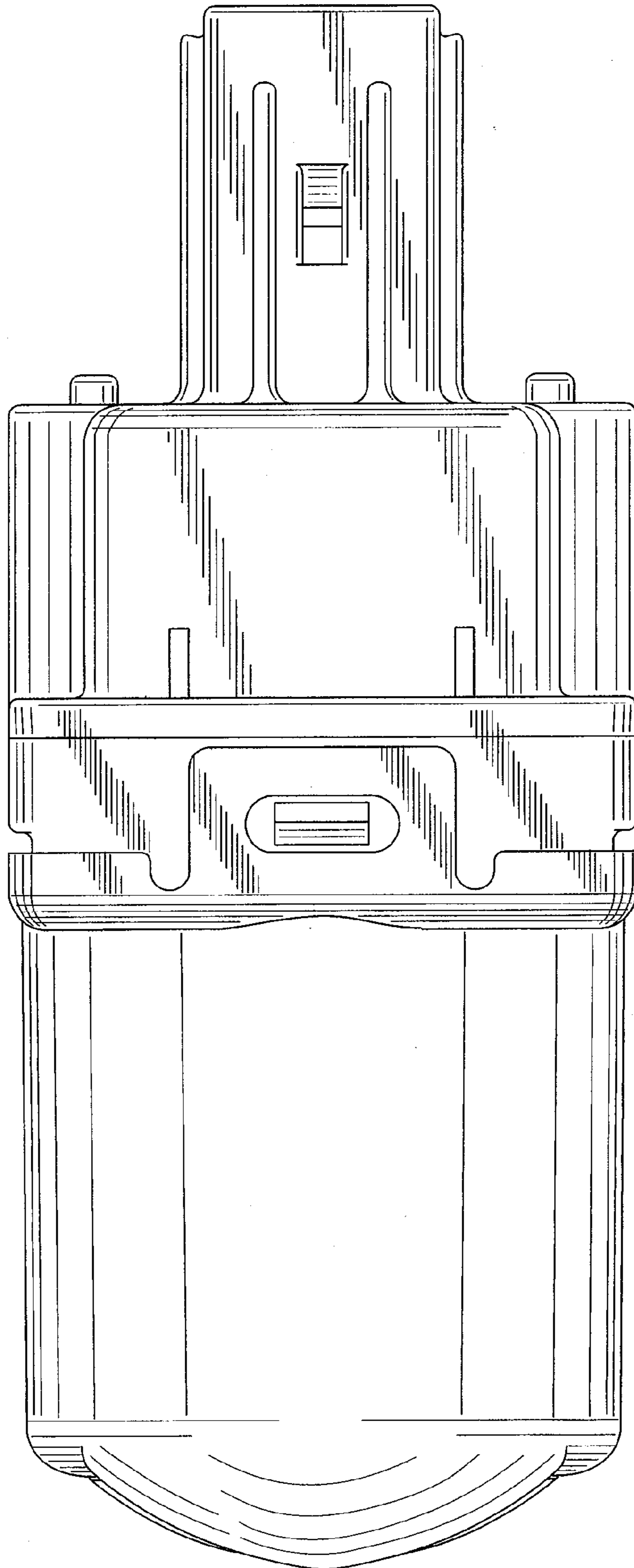


Fig. 5

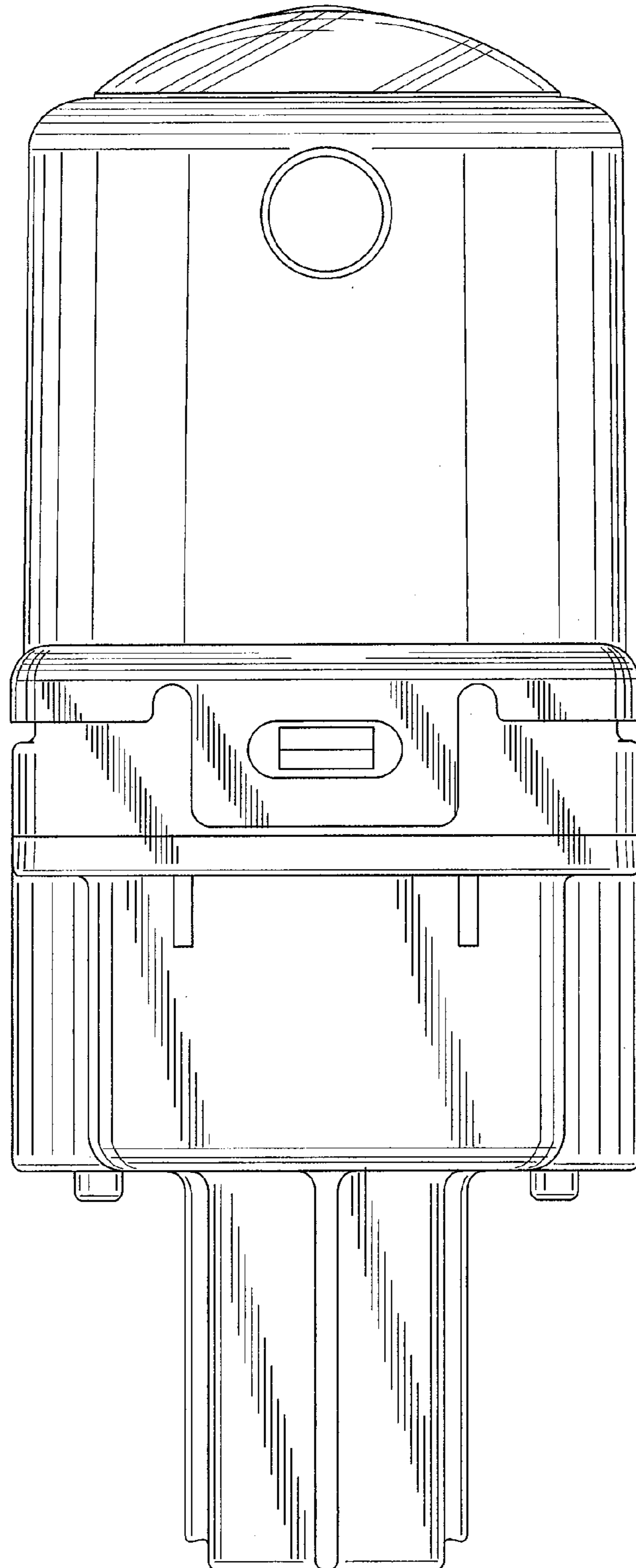


Fig. 6

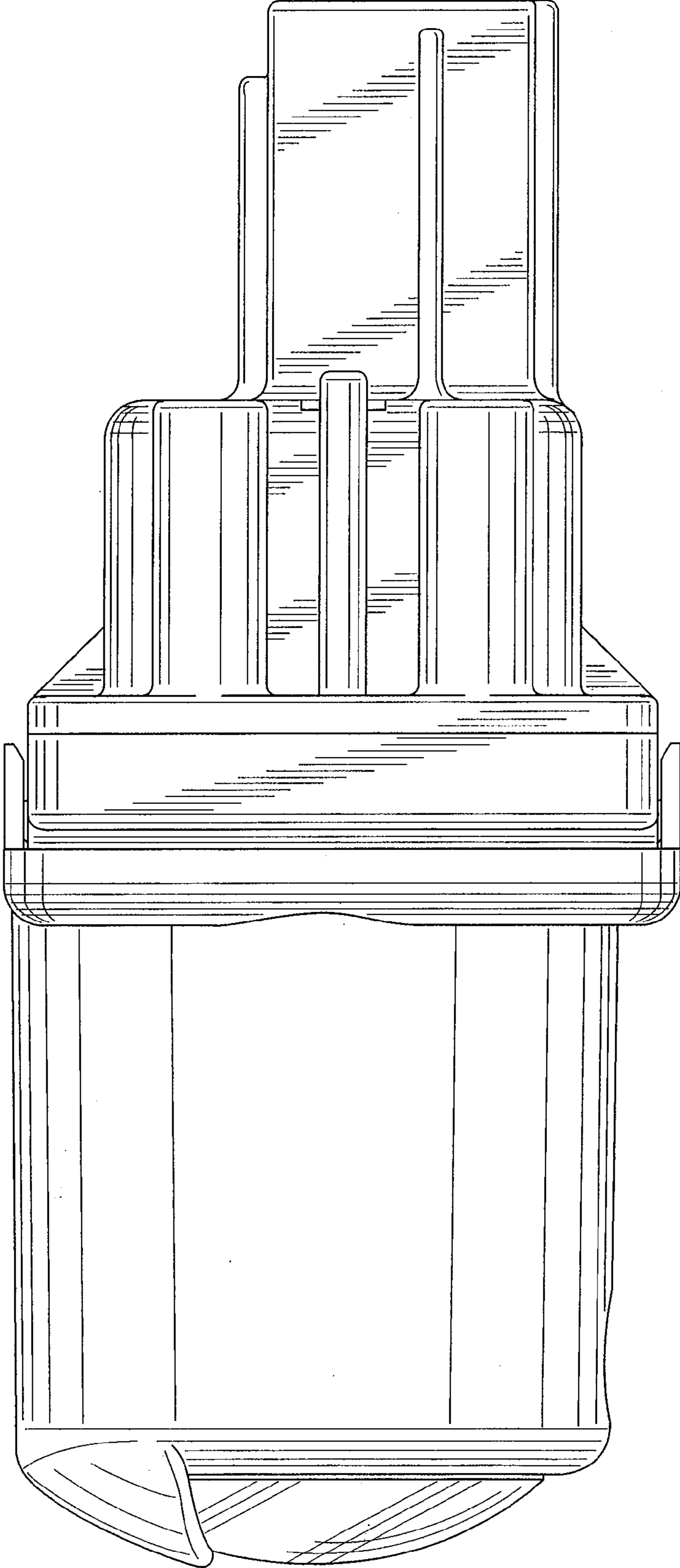


Fig. 7

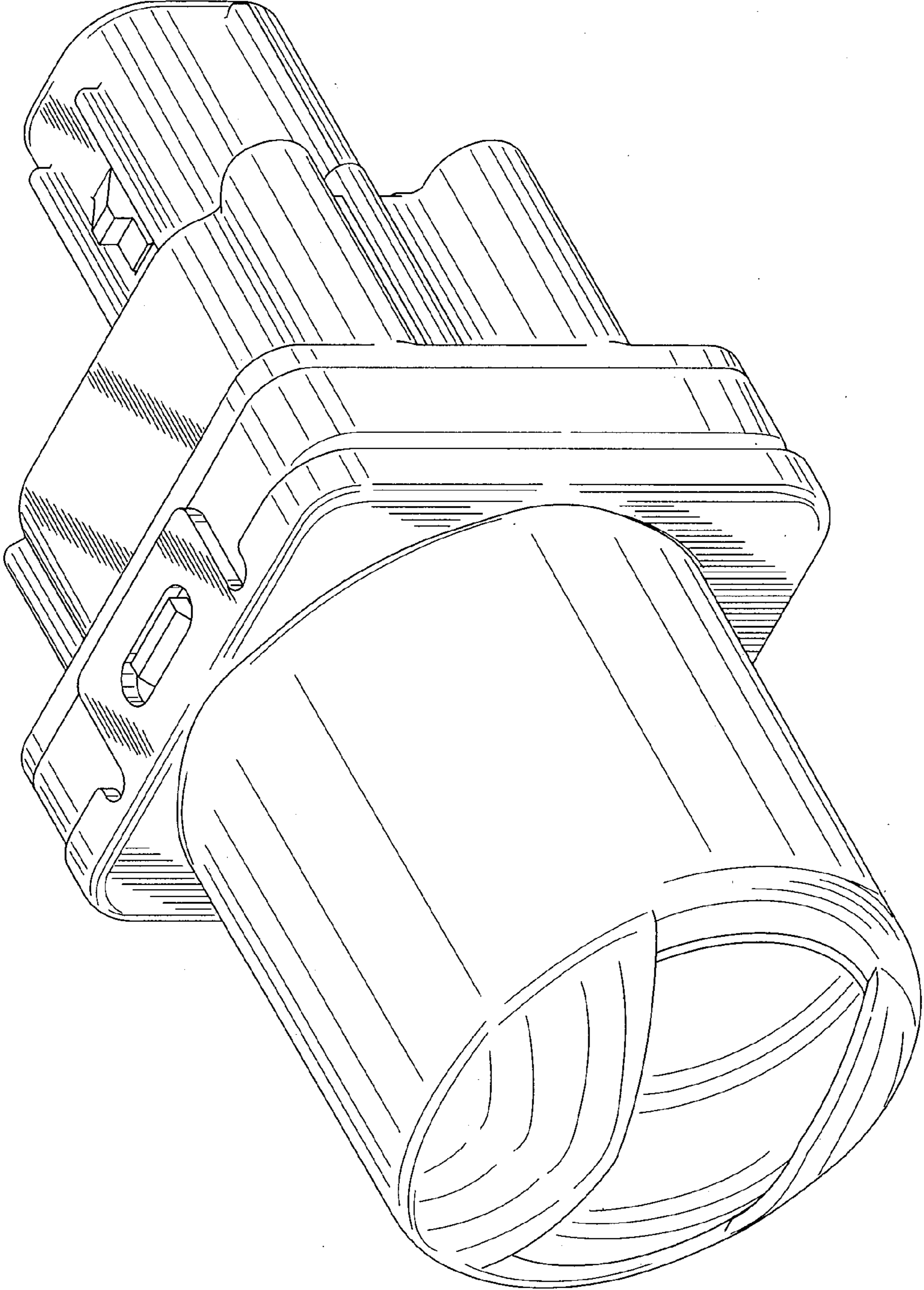


Fig. 8

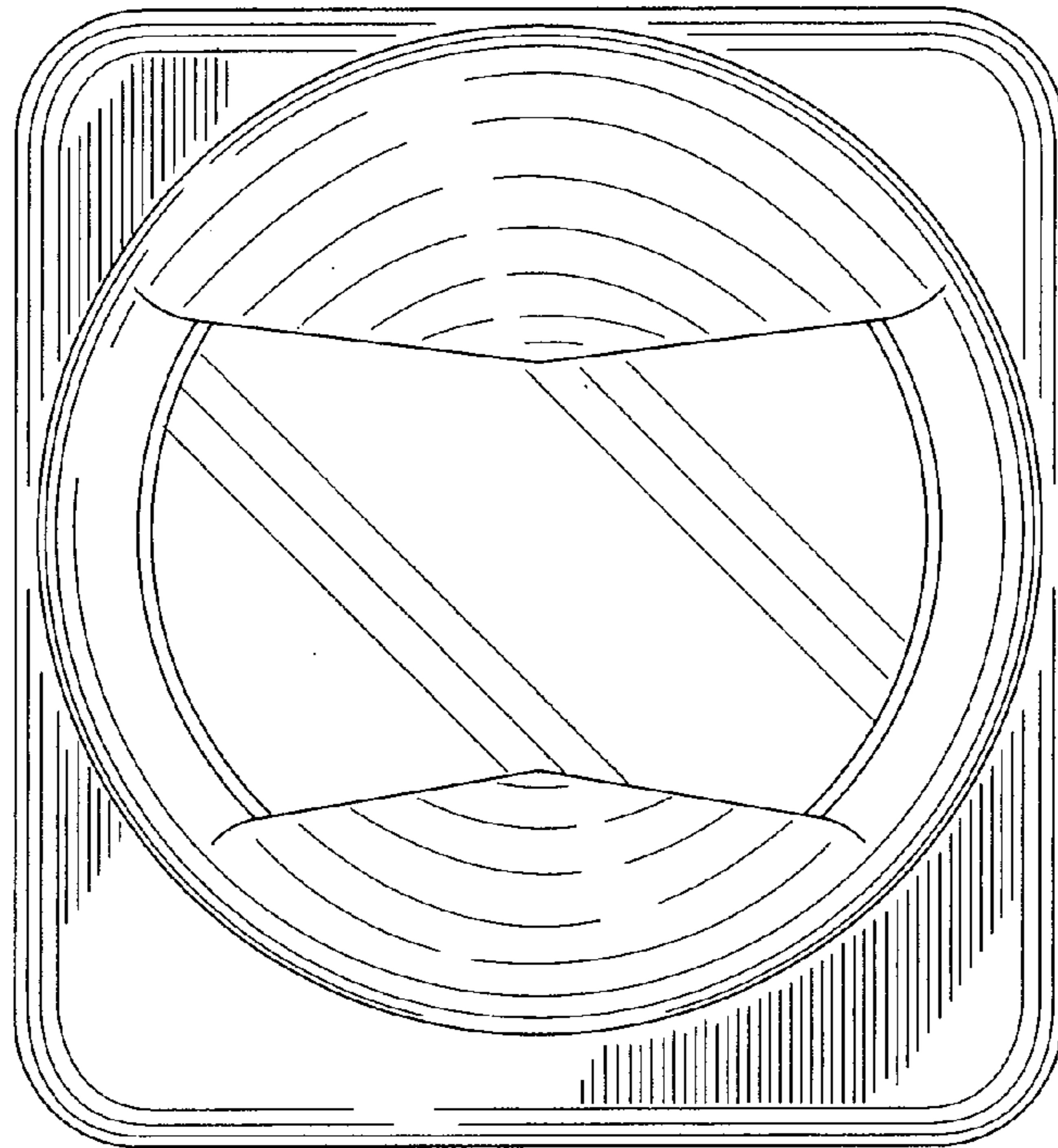


Fig. 9

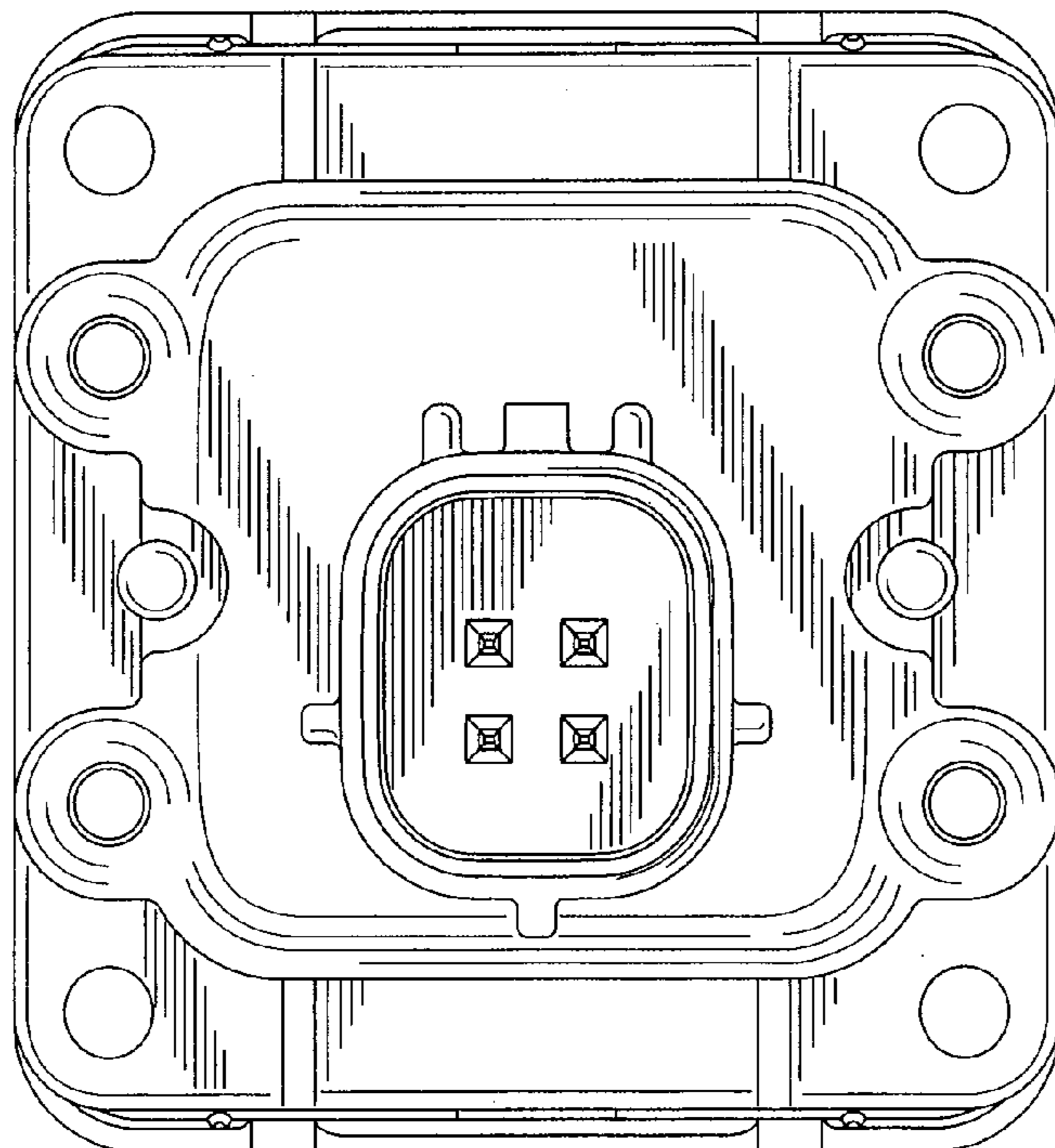


Fig. 10

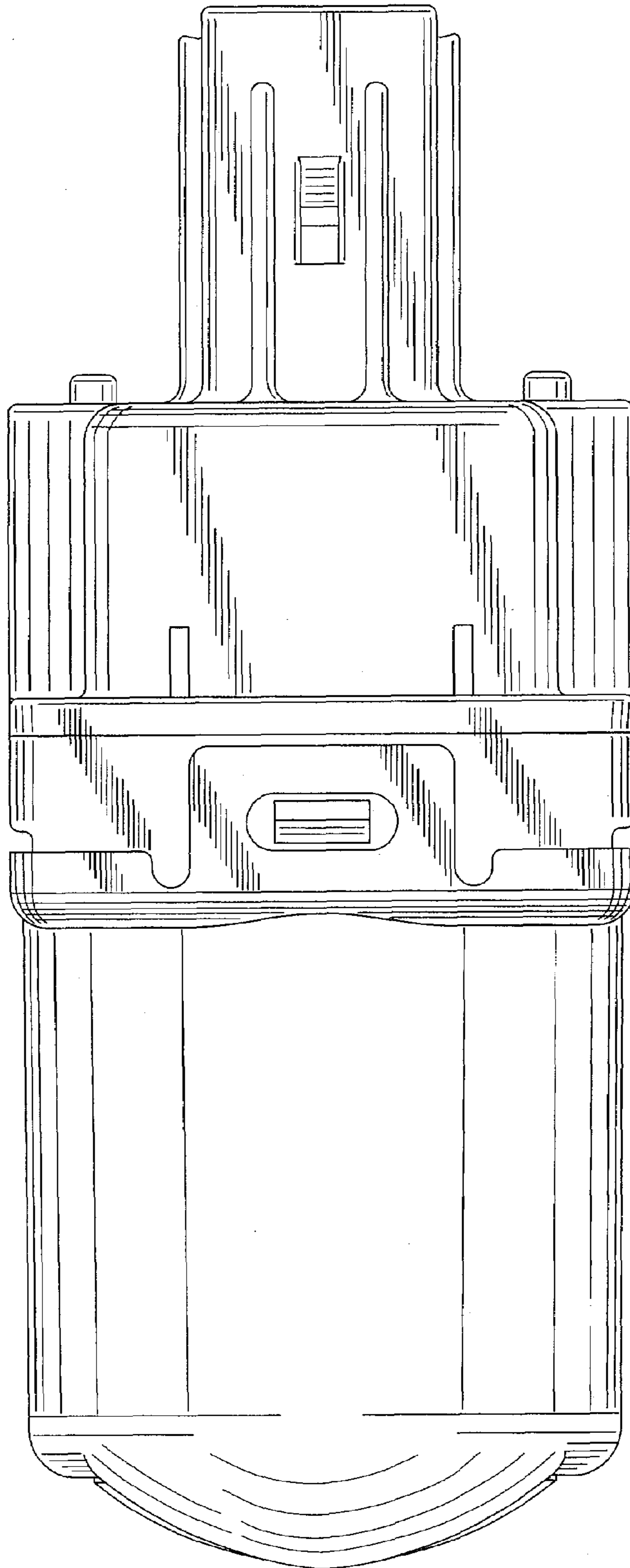


Fig. 11

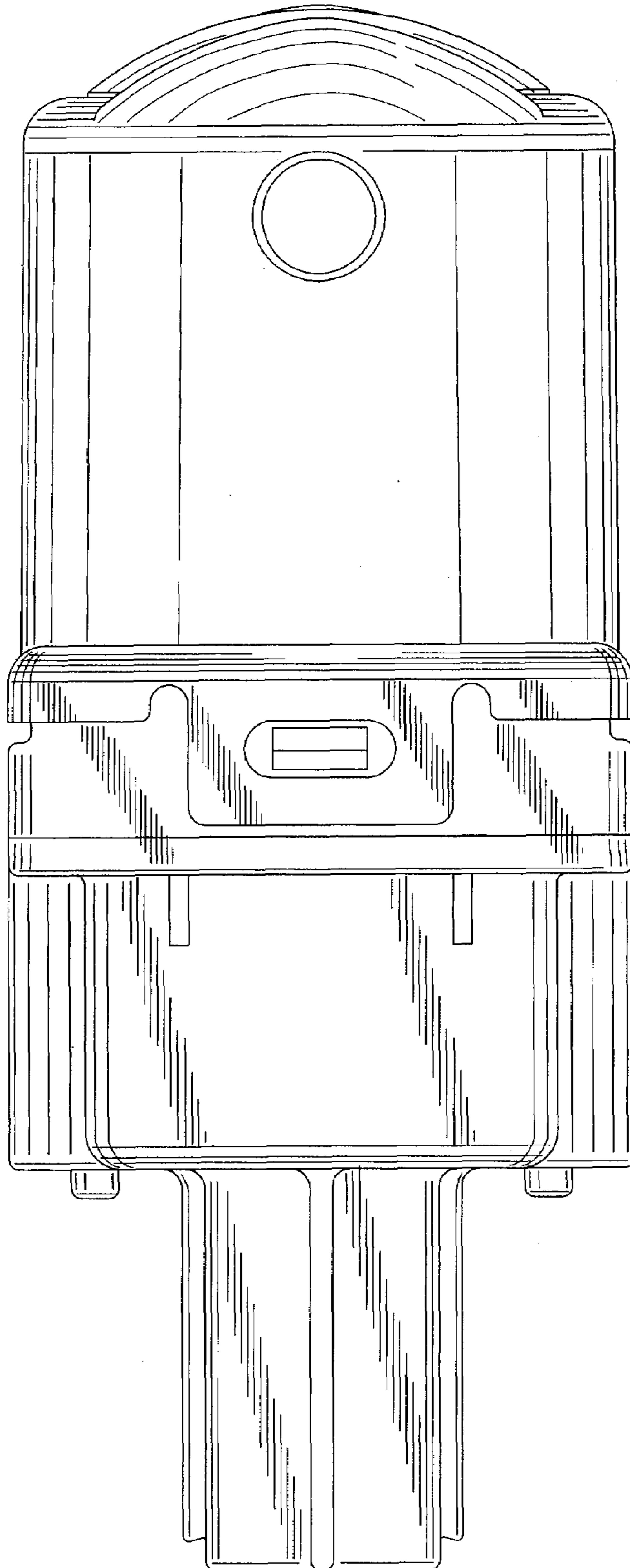


Fig. 12

