



US00D559880S

(12) **United States Design Patent**
Sumita

(10) **Patent No.:** **US D559,880 S**
(45) **Date of Patent:** **** Jan. 15, 2008**

(54) **VIDEO CAMERA**

D456,434 S 4/2002 Yamazaki
7,123,304 B2 * 10/2006 Lu et al. 348/373
D541,325 S * 4/2007 Sumita D16/202

(75) Inventor: **Kaoru Sumita**, Tokyo (JP)

(73) Assignee: **Sony Corporation**, Tokyo (JP)

* cited by examiner

(**) Term: **14 Years**

Primary Examiner—Adir Aronovich
(74) *Attorney, Agent, or Firm*—Rader, Fishman & Grauer, PLLC

(21) Appl. No.: **29/262,337**

(22) Filed: **Jun. 30, 2006**

(57) **CLAIM**

(51) **LOC (8) Cl.** **16-01**

The ornamental design for a video camera, as shown.

(52) **U.S. Cl.** **D16/202**

(58) **Field of Classification Search** D16/200–205,
D16/208, 218; 348/373–376; 358/906;
396/535–541

DESCRIPTION

See application file for complete search history.

FIG. 1 is a perspective view of a video camera showing my new design;

FIG. 2 is a front elevational view thereof;

FIG. 3 is a rear elevational view thereof;

FIG. 4 is a left side elevational view thereof;

FIG. 5 is a right side elevational view thereof;

FIG. 6 is a top plan view thereof; and,

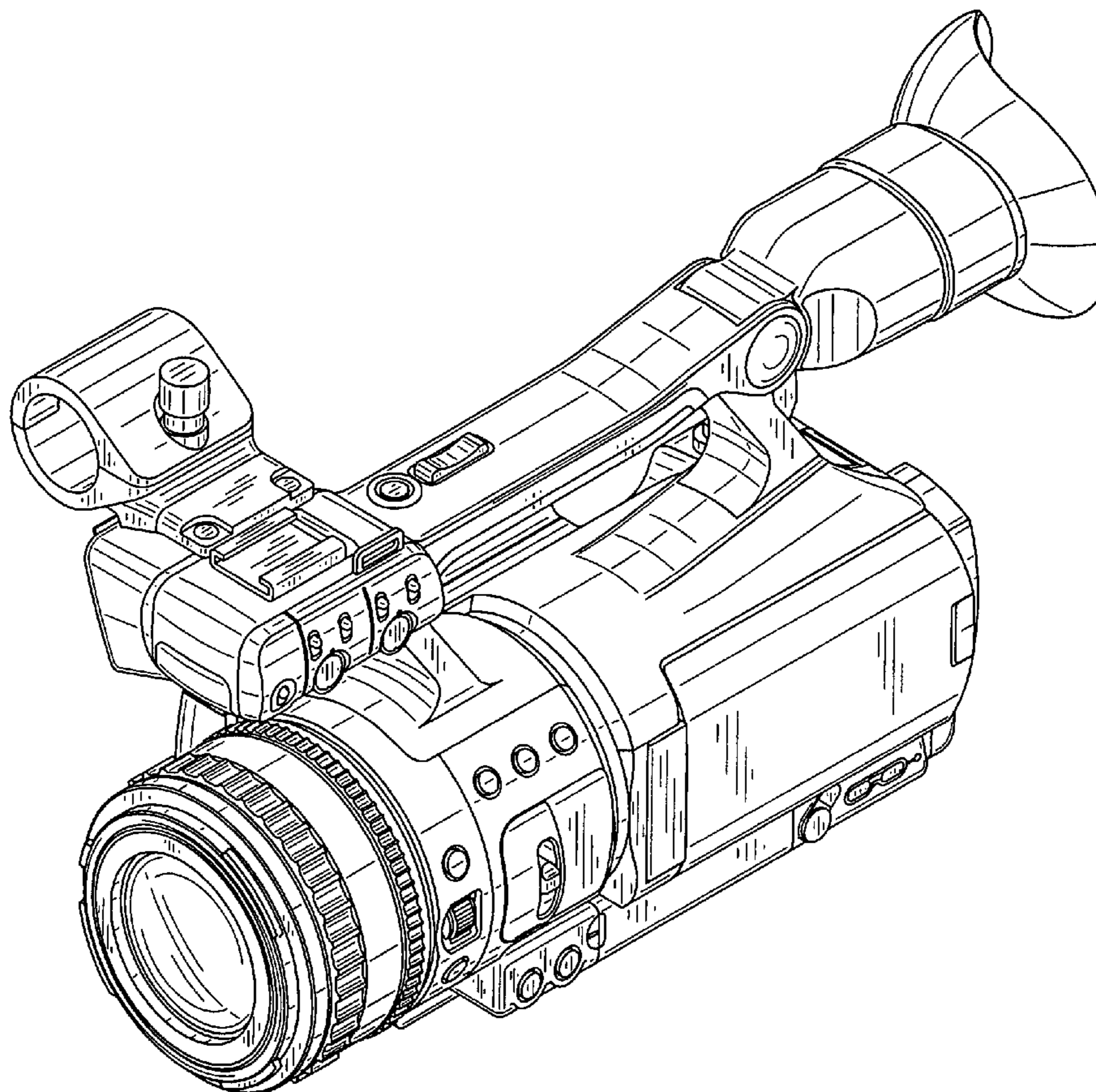
FIG. 7 is a bottom plan view thereof.

(56) **References Cited**

U.S. PATENT DOCUMENTS

5,327,186 A * 7/1994 Lee 348/375
D380,484 S * 7/1997 Sumita D16/202
D381,996 S 8/1997 Kobayashi
D412,515 S * 8/1999 Oka D16/202
D431,041 S * 9/2000 Sekine D16/202
D438,552 S 3/2001 Sumita

1 Claim, 7 Drawing Sheets



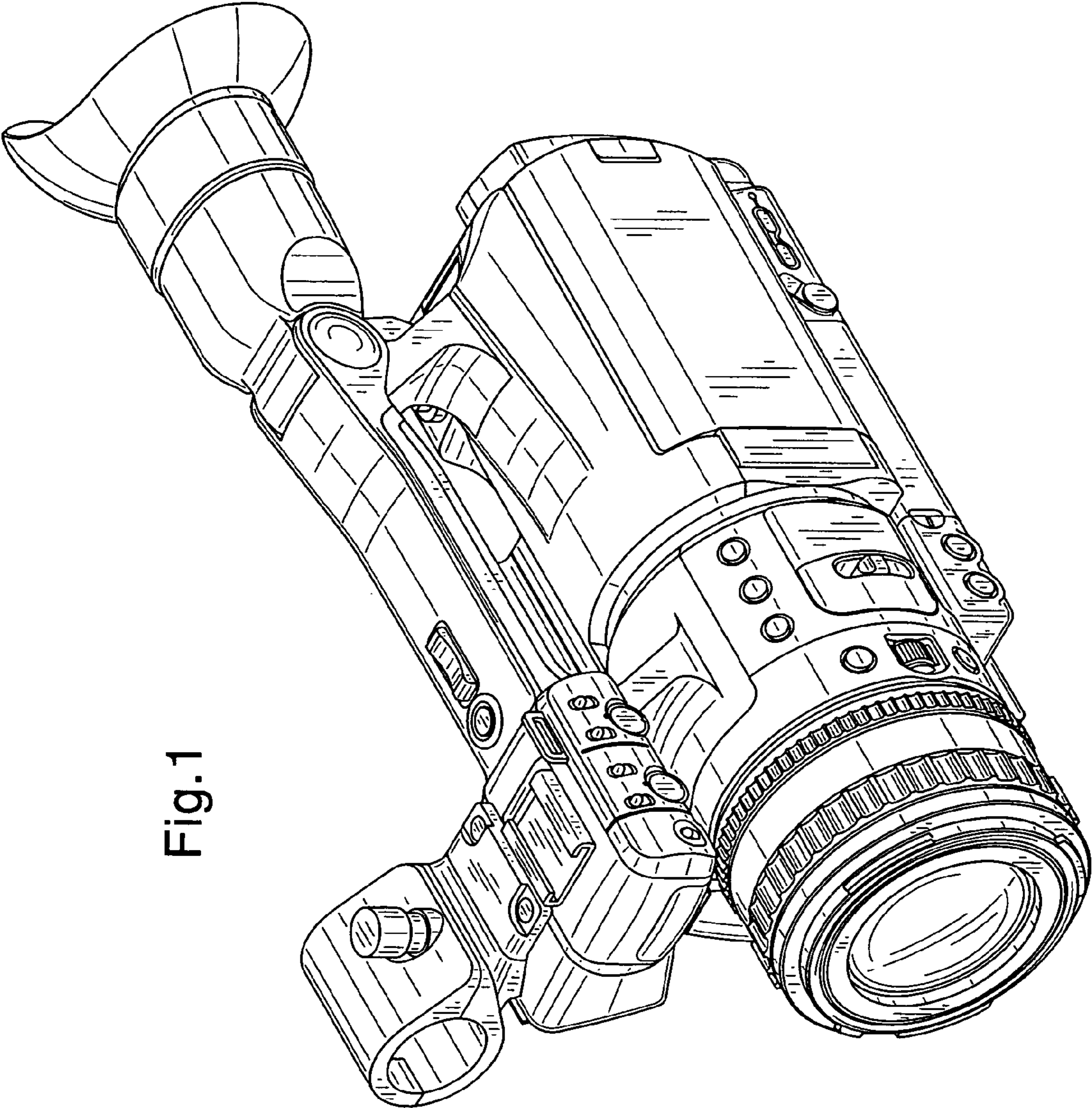


Fig.1

Fig.2

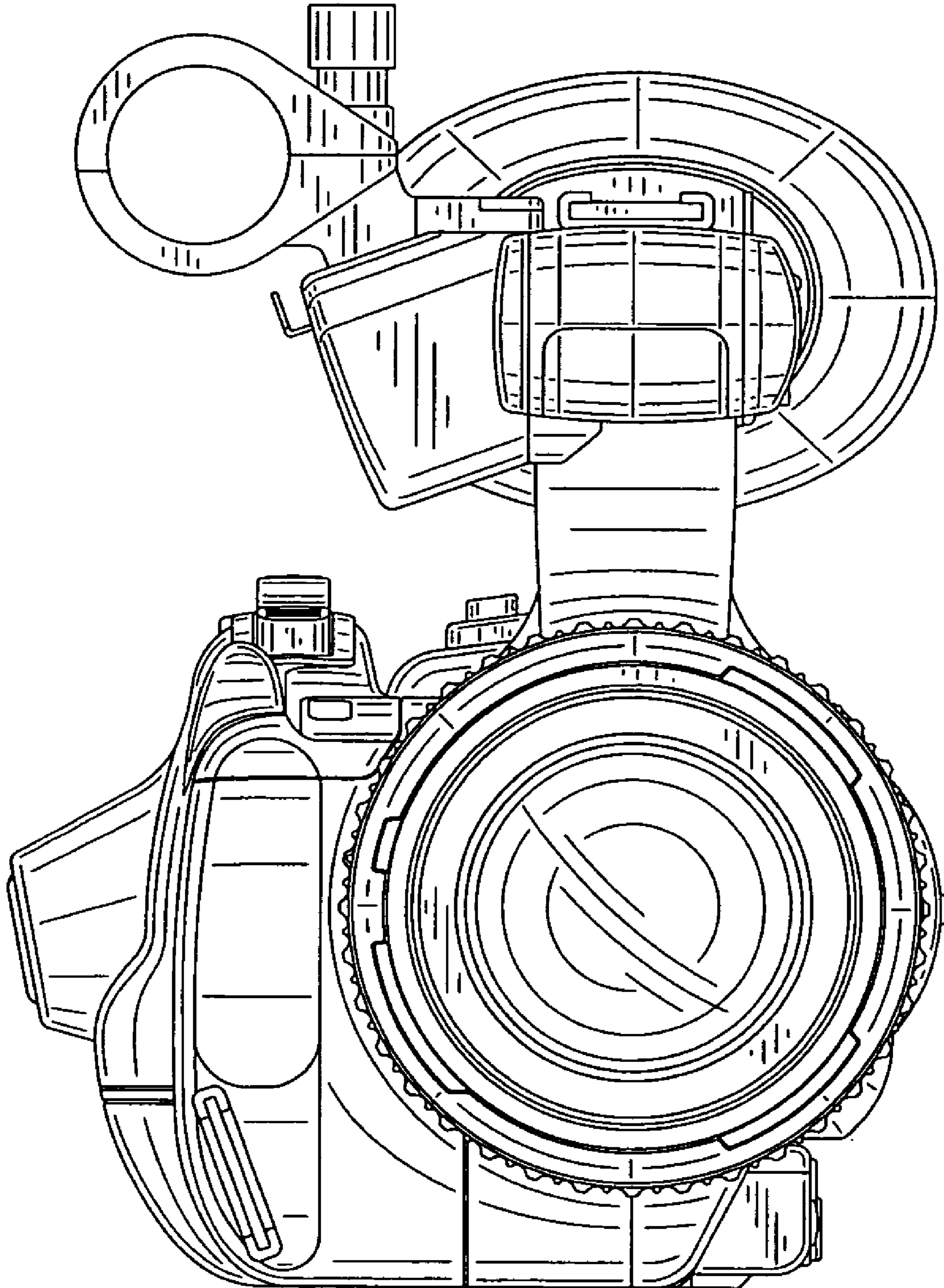
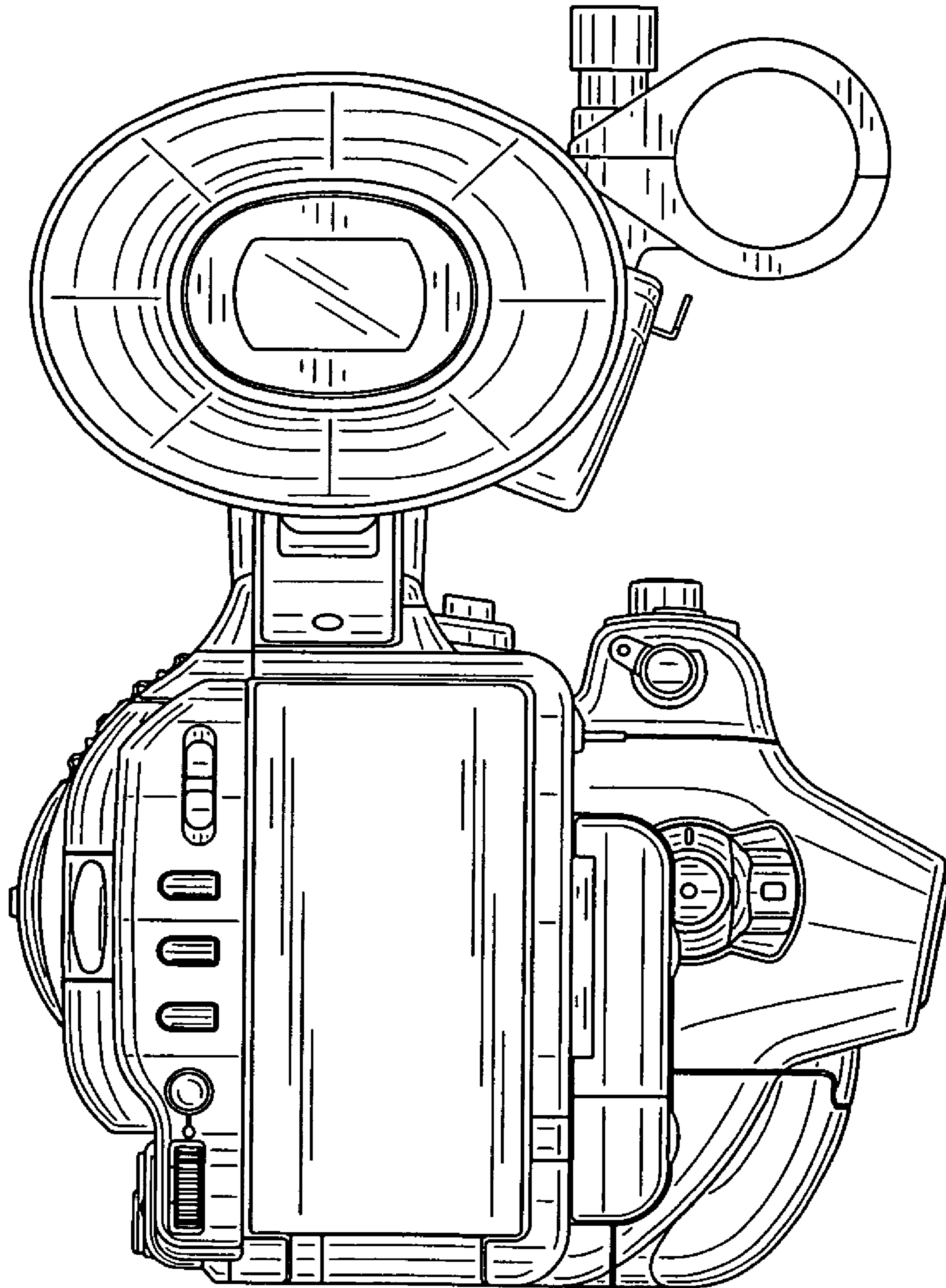


Fig.3



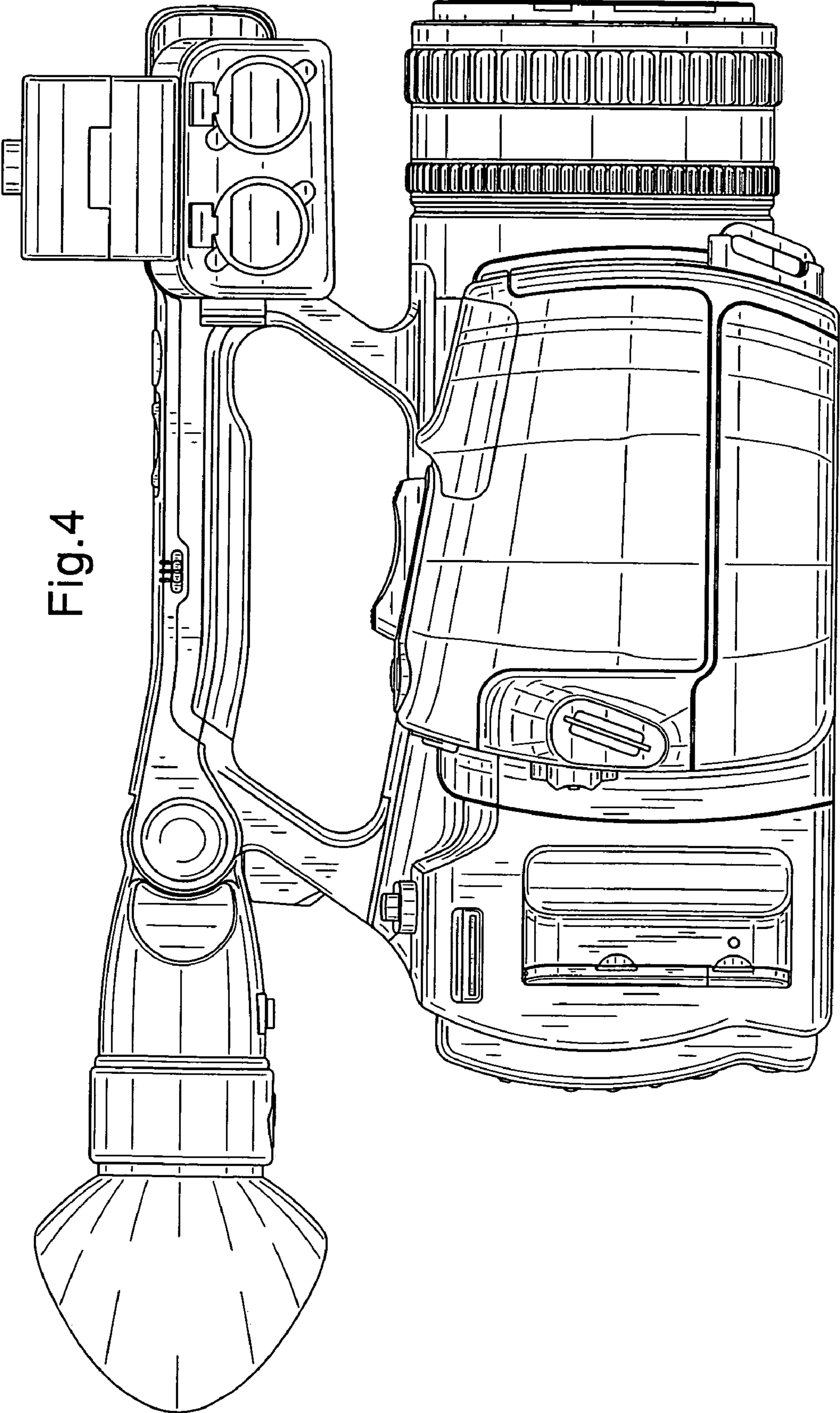


Fig.4

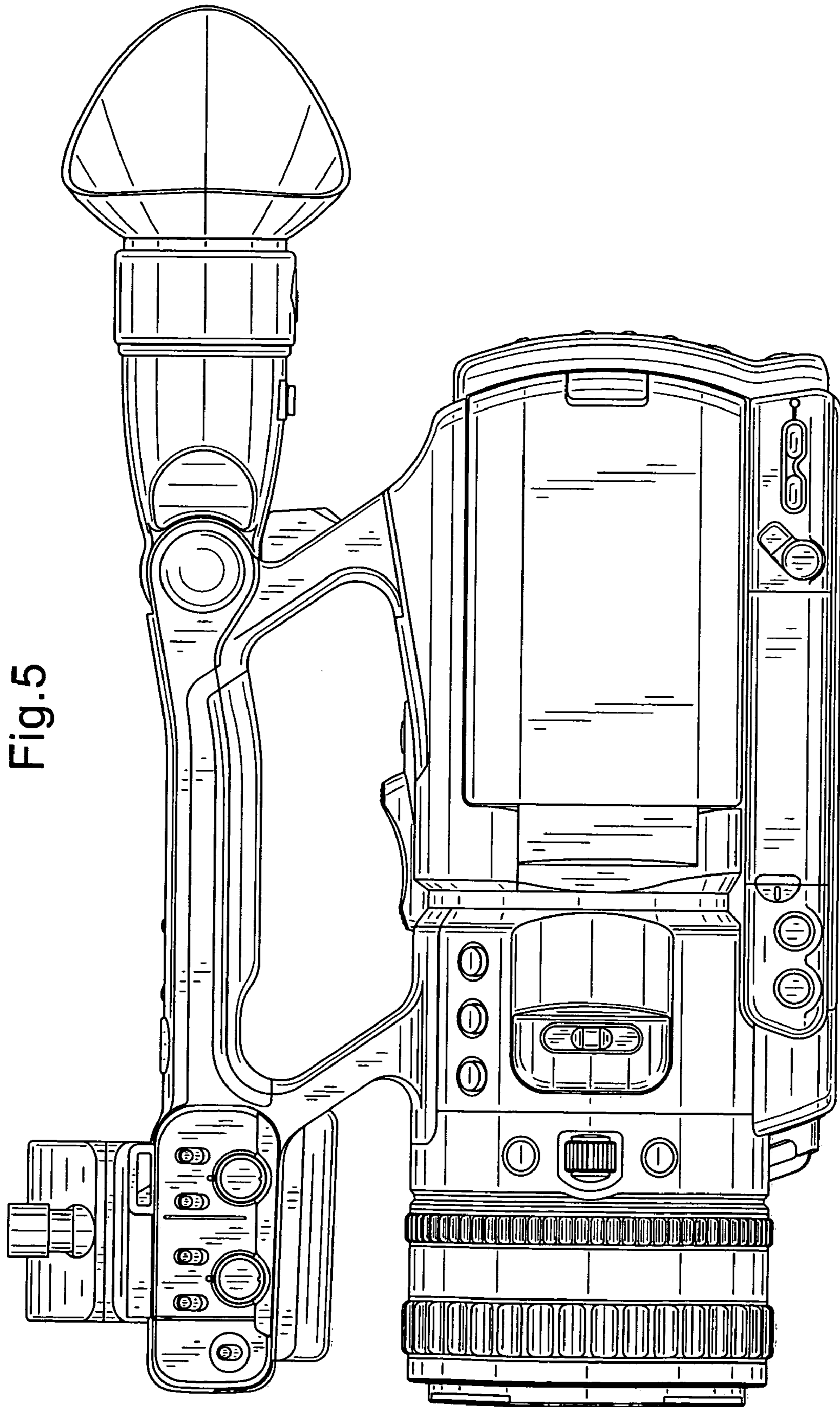


Fig.5

Fig.6

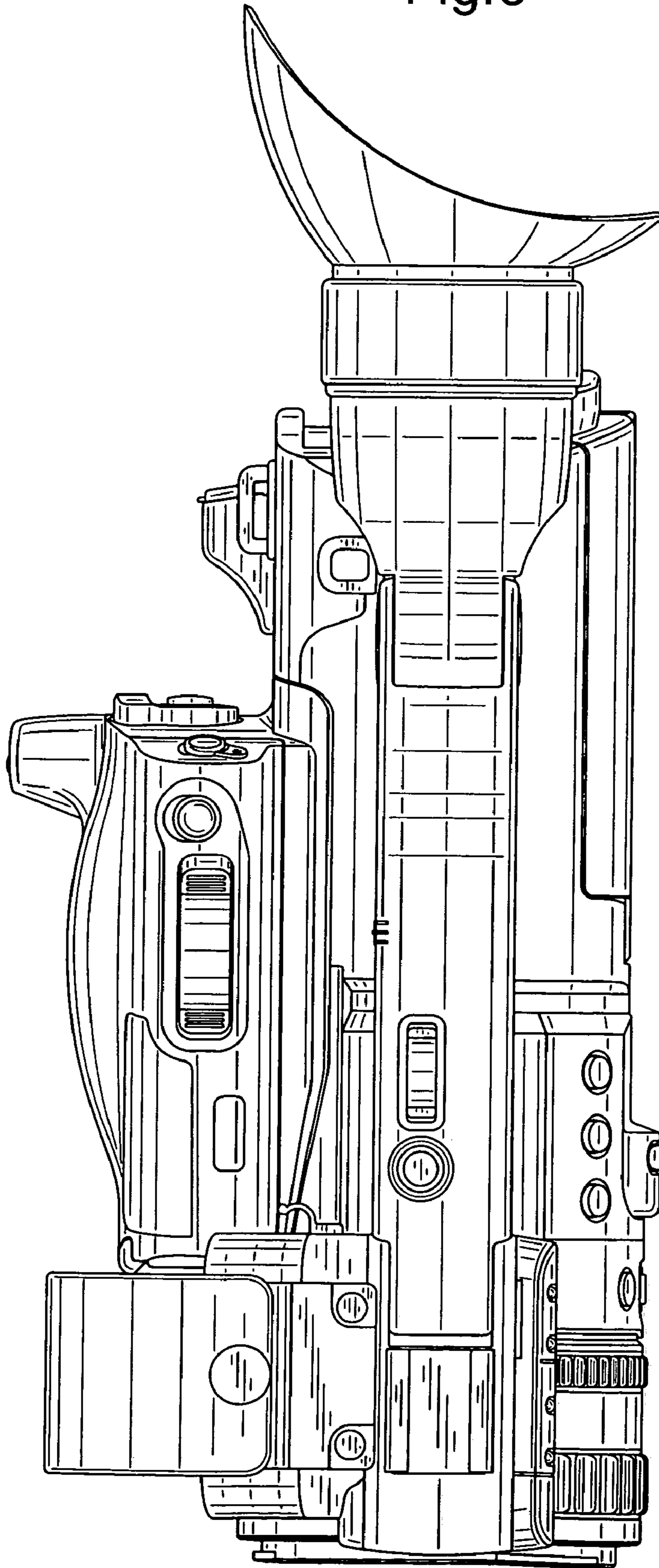


Fig.7

