



US00D559879S

(12) **United States Design Patent**  
**Sumita**

(10) **Patent No.:** **US D559,879 S**  
(45) **Date of Patent:** **\*\* Jan. 15, 2008**

(54) **VIDEO CAMERA**

(75) Inventor: **Kaoru Sumita**, Tokyo (JP)

(73) Assignee: **Sony Corporation**, Tokyo (JP)

(\*\*) Term: **14 Years**

(21) Appl. No.: **29/262,308**

(22) Filed: **Jun. 30, 2006**

(51) **LOC (8) Cl.** ..... **16-01**

(52) **U.S. Cl.** ..... **D16/202**

(58) **Field of Classification Search** ..... D16/200–205,  
D16/208, 218; 348/373–376; 358/906;  
396/535–541

See application file for complete search history.

(56) **References Cited**

**U.S. PATENT DOCUMENTS**

D380,484 S *	7/1997	Sumita	.....	D16/202
D381,996 S	8/1997	Kobayashi		
D431,041 S *	9/2000	Sekine	.....	D16/202
D438,552 S	3/2001	Sumita		
6,226,448 B1 *	5/2001	Takagi et al.	.....	348/376
D456,434 S	4/2002	Yamazaki		

D486,845 S *	2/2004	Oka	.....	D16/202
D508,066 S *	8/2005	Ikenaga	.....	D16/202
7,123,304 B2 *	10/2006	Lu et al.	.....	348/373
D541,325 S *	4/2007	Sumita	.....	D16/202

\* cited by examiner

*Primary Examiner*—Adir Aronovich

(74) *Attorney, Agent, or Firm*—Rader, Fishman & Grauer PLLC

(57) **CLAIM**

The ornamental design for a video camera, as shown.

**DESCRIPTION**

FIG. 1 is a perspective view of a video camera showing my new design;

FIG. 2 is a front elevational view thereof;

FIG. 3 is a rear elevational view thereof;

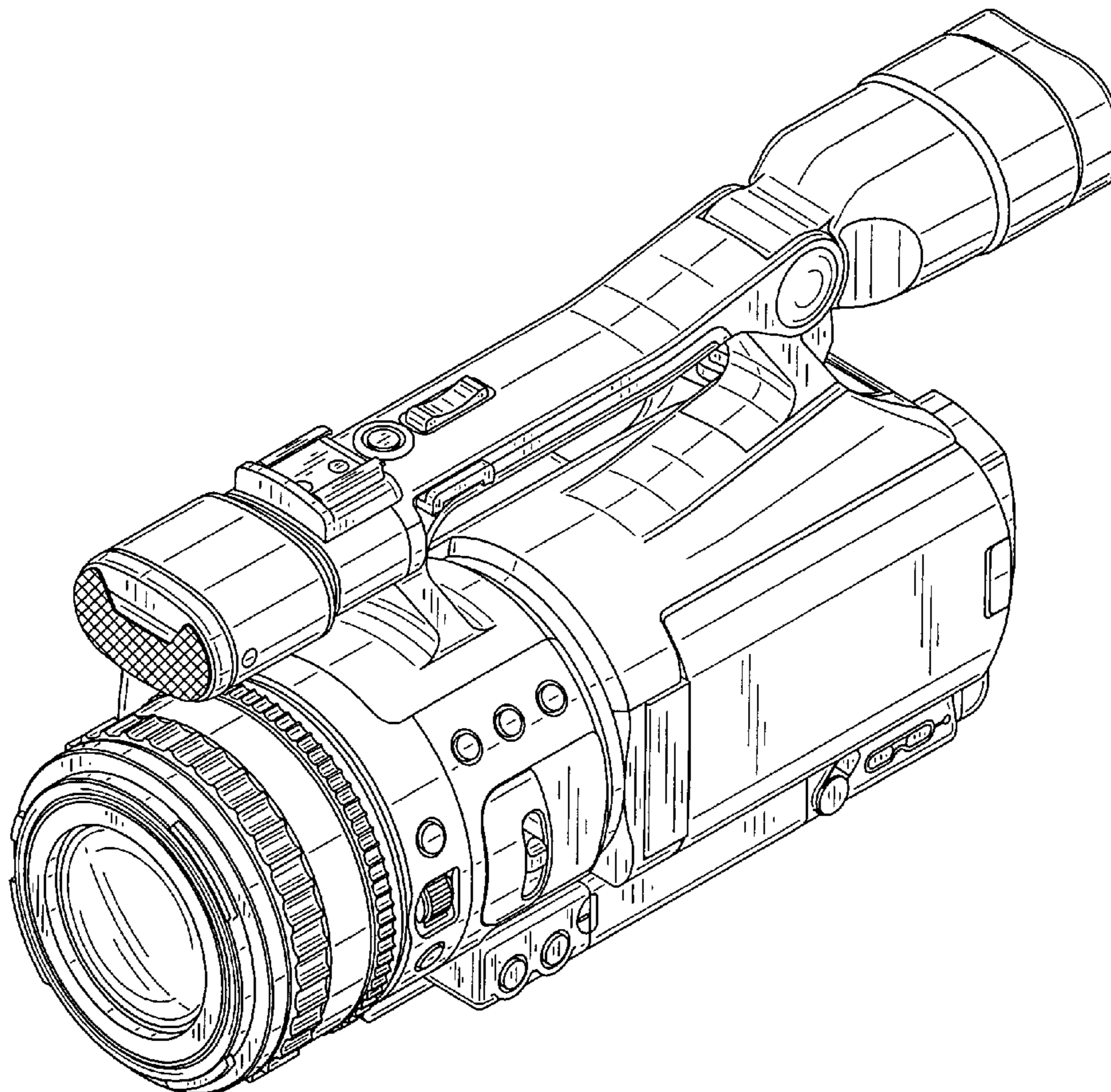
FIG. 4 is a left side elevational view thereof;

FIG. 5 is a right side elevational view thereof;

FIG. 6 is a top plan view thereof; and,

FIG. 7 is a bottom plan view thereof.

**1 Claim, 7 Drawing Sheets**



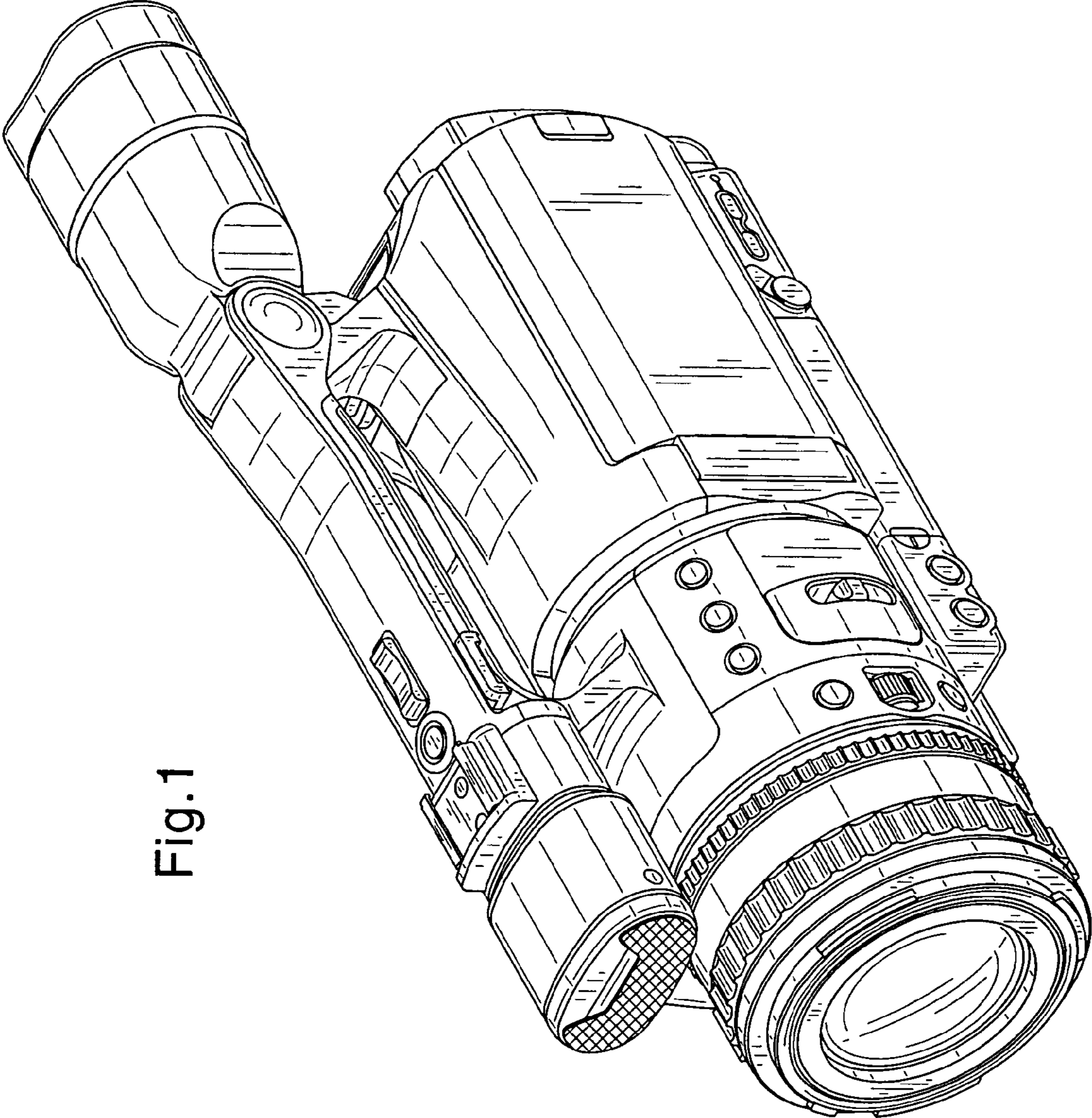


Fig. 1

Fig.2

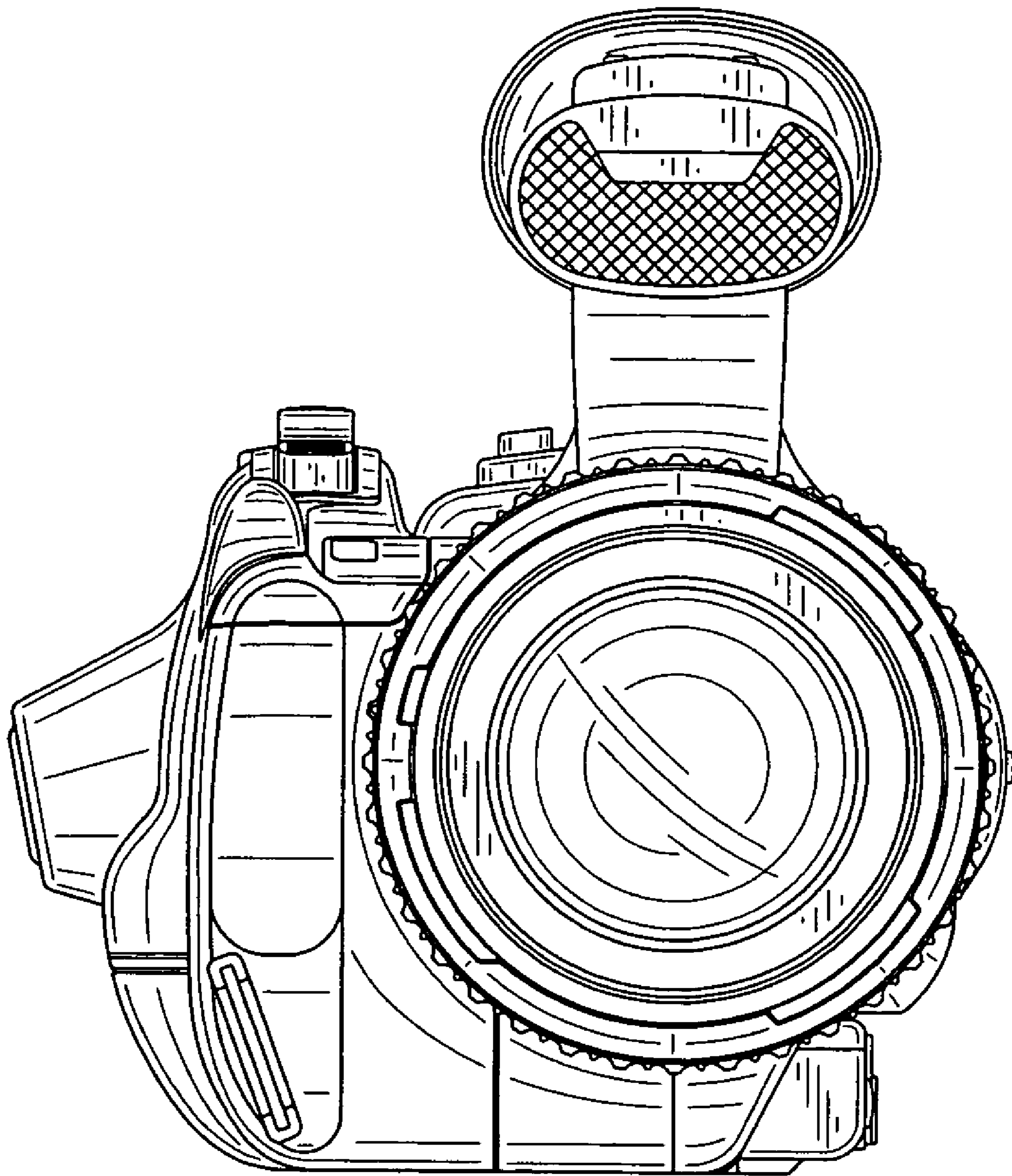


Fig.3

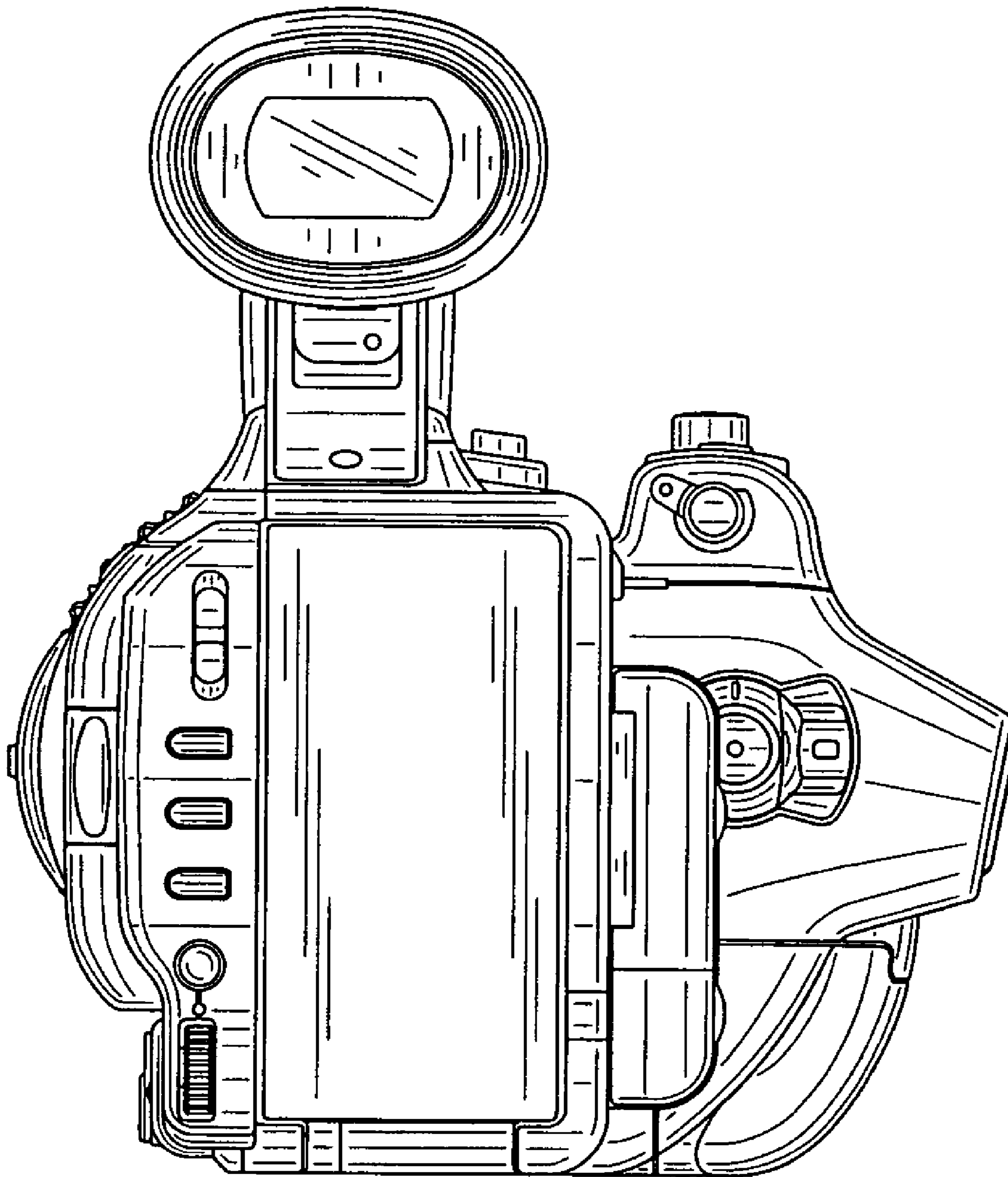


Fig. 4

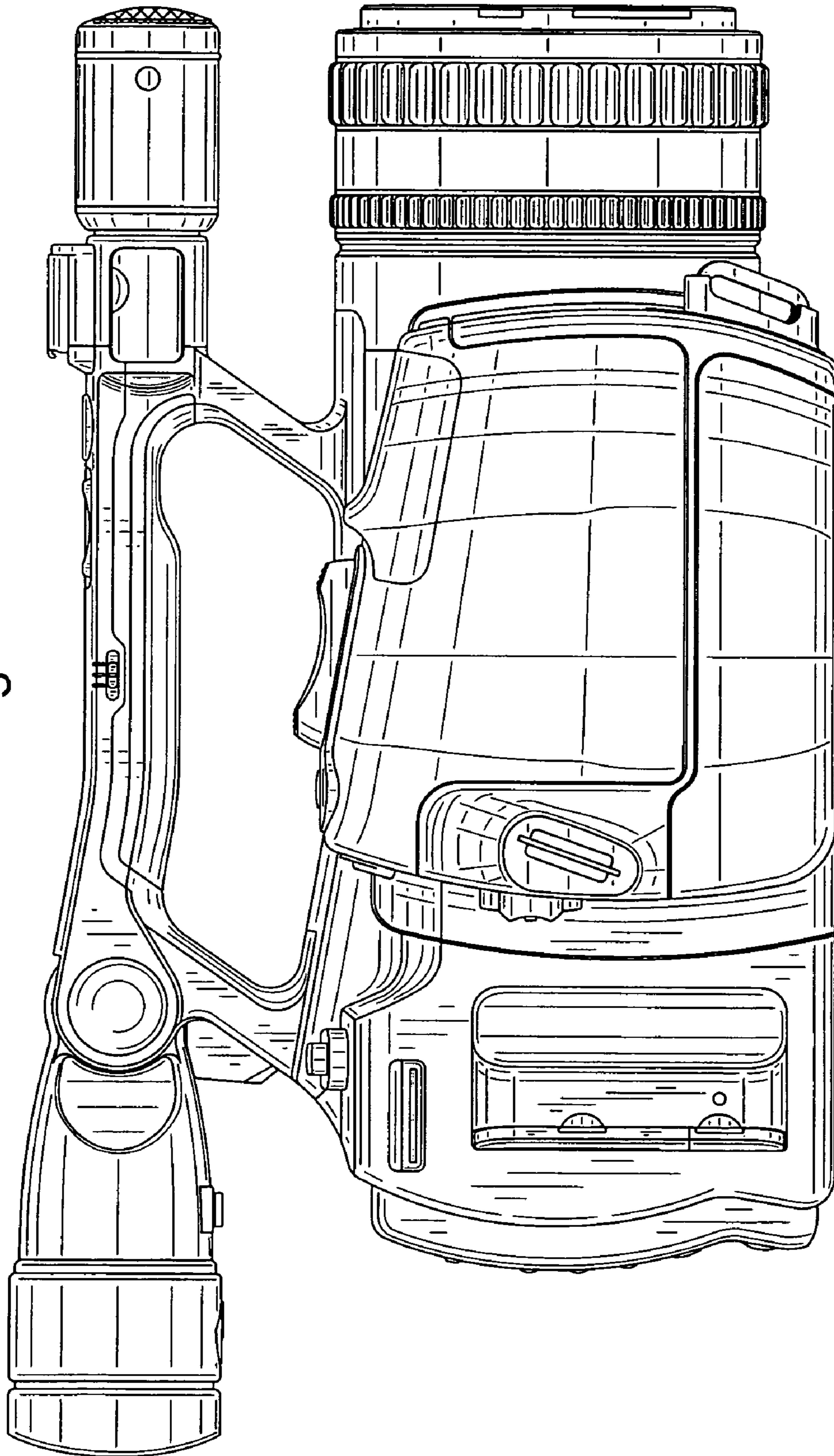


Fig.5

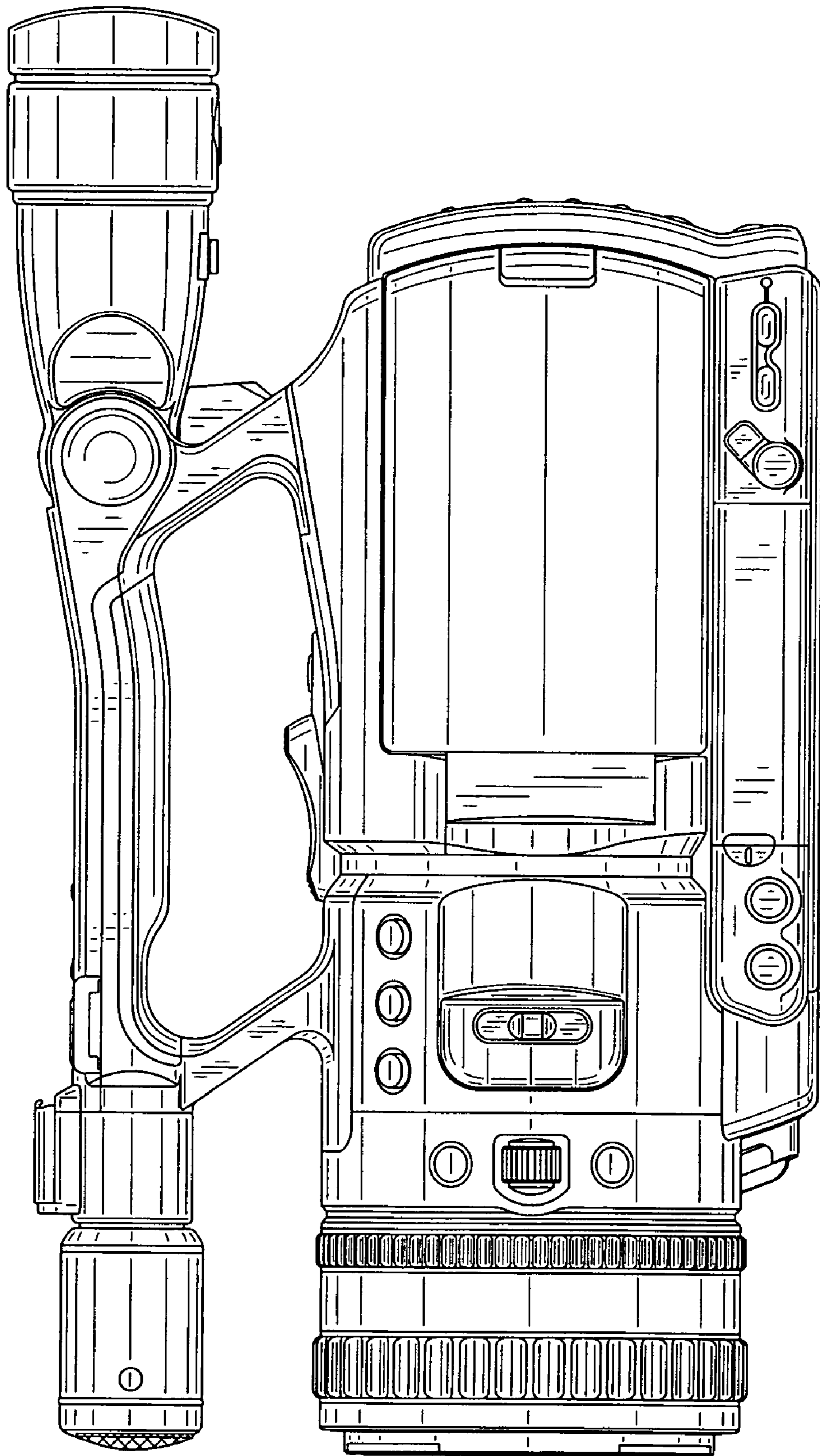


Fig.6

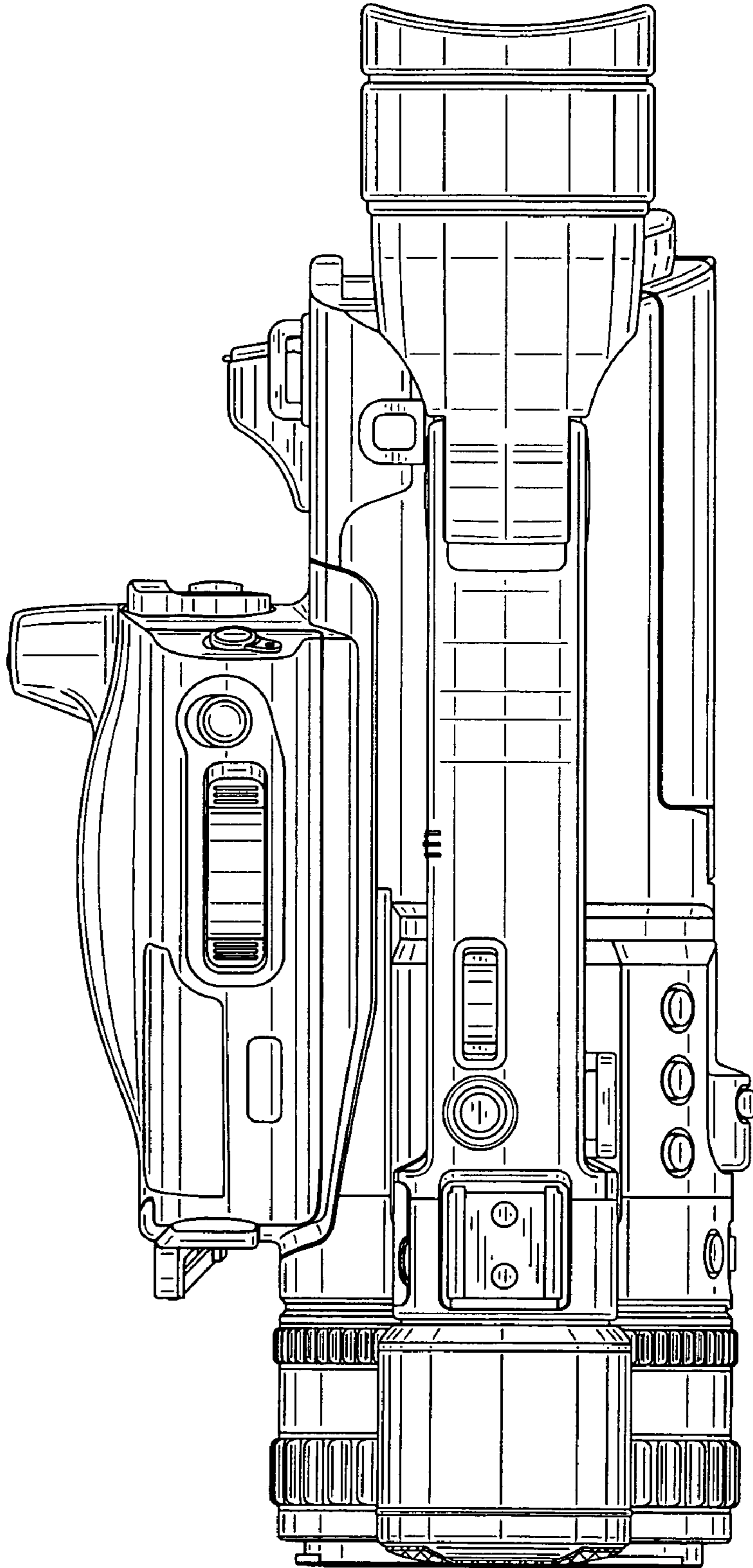


Fig.7

