



US00D559878S

(12) **United States Design Patent** (10) **Patent No.:** **US D559,878 S**
Sadatsuki (45) **Date of Patent:** **** Jan. 15, 2008**

(54) **VIDEO CAMERA**

(75) Inventor: **Koichi Sadatsuki**, Tokyo (JP)

(73) Assignee: **Sony Corporation**, Tokyo (JP)

(**) Term: **14 Years**

(21) Appl. No.: **29/260,751**

(22) Filed: **Jun. 1, 2006**

(30) **Foreign Application Priority Data**

Dec. 27, 2005 (JP) 2005-038329

(51) **LOC (8) Cl.** **16-01**

(52) **U.S. Cl.** **D16/202**

(58) **Field of Classification Search** D16/200–206,
D16/208, 218; 348/373–376; 358/906;
396/535–541

See application file for complete search history.

(56) **References Cited**

U.S. PATENT DOCUMENTS

D408,428 S *	4/1999	Ninomiya et al.	D16/202
D423,541 S *	4/2000	Ohwada	D16/202
D521,041 S *	5/2006	Chung et al.	D16/202
D534,565 S *	1/2007	Sadatsuki	D16/202
D542,317 S *	5/2007	Miyashita	D16/202
2005/0140823 A1 *	6/2005	Ishikuro	348/375

FOREIGN PATENT DOCUMENTS

JP	D1228635	12/2004
JP	D1237805	3/2005
JP	D1237806	3/2005
JP	D1237809	3/2005

OTHER PUBLICATIONS

JVC—Productline Everio: Digital Media Camera, GZ-MG77 Hard Drive Camcorder, GZ-MG37 Hard Drive Camcorder, GZ-MG27

Hard Drive Camcorder, GZ-MG21 Hard Drive Camcorder, GZ-MG70 Everio G Series, GZ-MG20 Everio G series, GZ-MG30 Everio G series, GZ-MG40 Everio G series, GZ-MG50 Everio G series, <http://www.jvc.com/product.jsp?productId=PRD1207000&pathId=119> May 23, 2006.

JVC—Model GZ-MG20 Features, Everio G series, GZ-MG20, <http://www.jvc.com/product.jsp?modelId-MODL027543&pathId=119&page=2> May 23, 2006.

Panasonic Model Details, PV-GS180, <http://www2.panasonic.com/webapp/wcs/stores/servlet/vModelDetail?display Ta...> May 23, 2006.

Panasonic Model Details, PV-GS300, <http://www2.panasonic.com/webapp/wcs/stores/servlet/vModelDetail?display Ta...> May 23, 2006.

* cited by examiner

Primary Examiner—Adir Aronovich

(74) *Attorney, Agent, or Firm*—Oblon, Spivak, McClelland, Maier & Neustadt, P.C.

(57) **CLAIM**

The ornamental design for a video camera, as shown and described.

DESCRIPTION

FIG. 1 is a top and right front perspective view of a video camera, showing my design;

FIG. 2 is a front elevational view thereof;

FIG. 3 is a rear elevational view thereof;

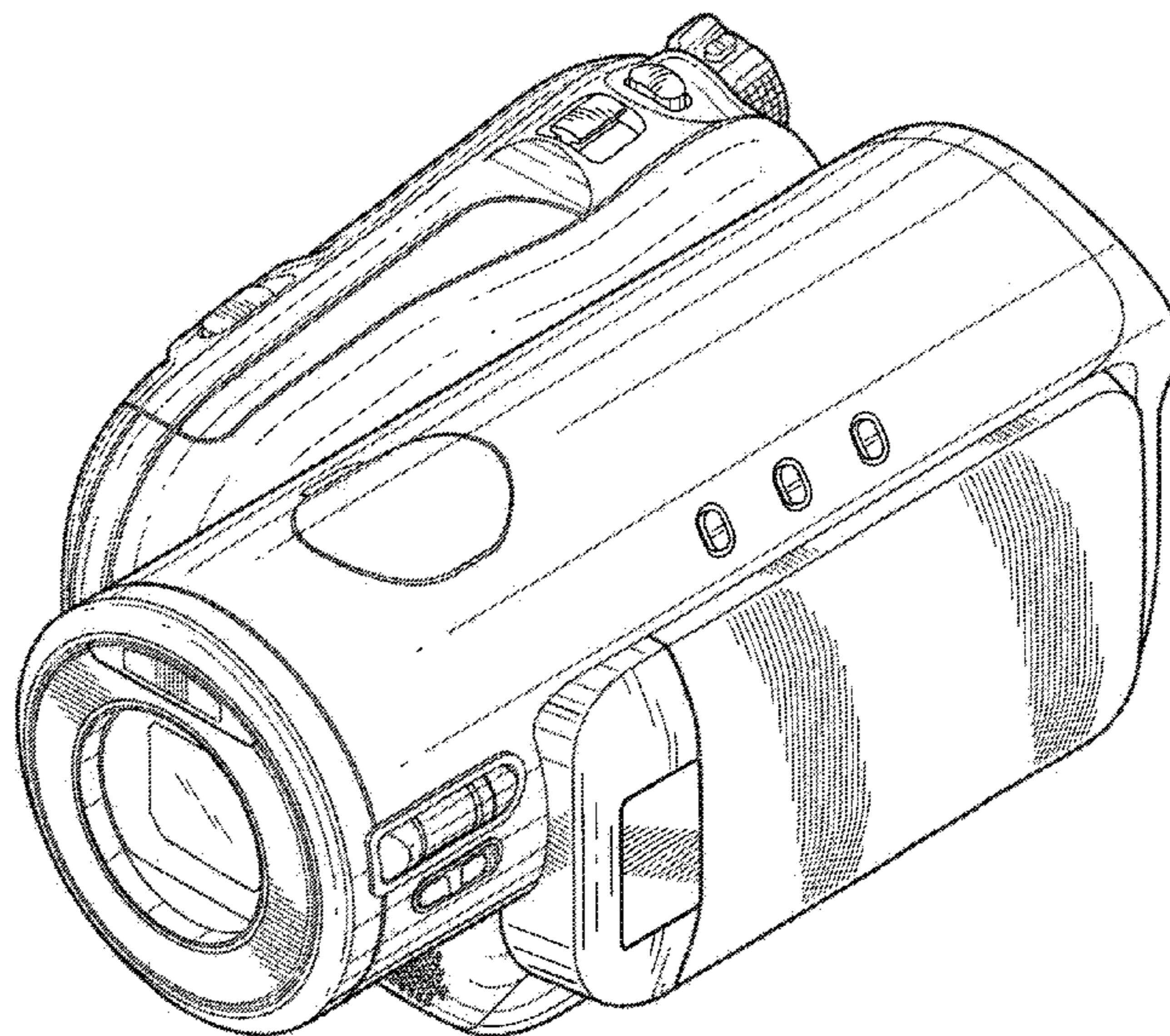
FIG. 4 is a left side elevational view thereof;

FIG. 5 is a right side elevational view thereof;

FIG. 6 is a top plan view thereof, shown rotated ninety degrees clockwise; and,

FIG. 7 is a bottom plan view thereof, shown rotated ninety degrees counterclockwise.

1 Claim, 6 Drawing Sheets



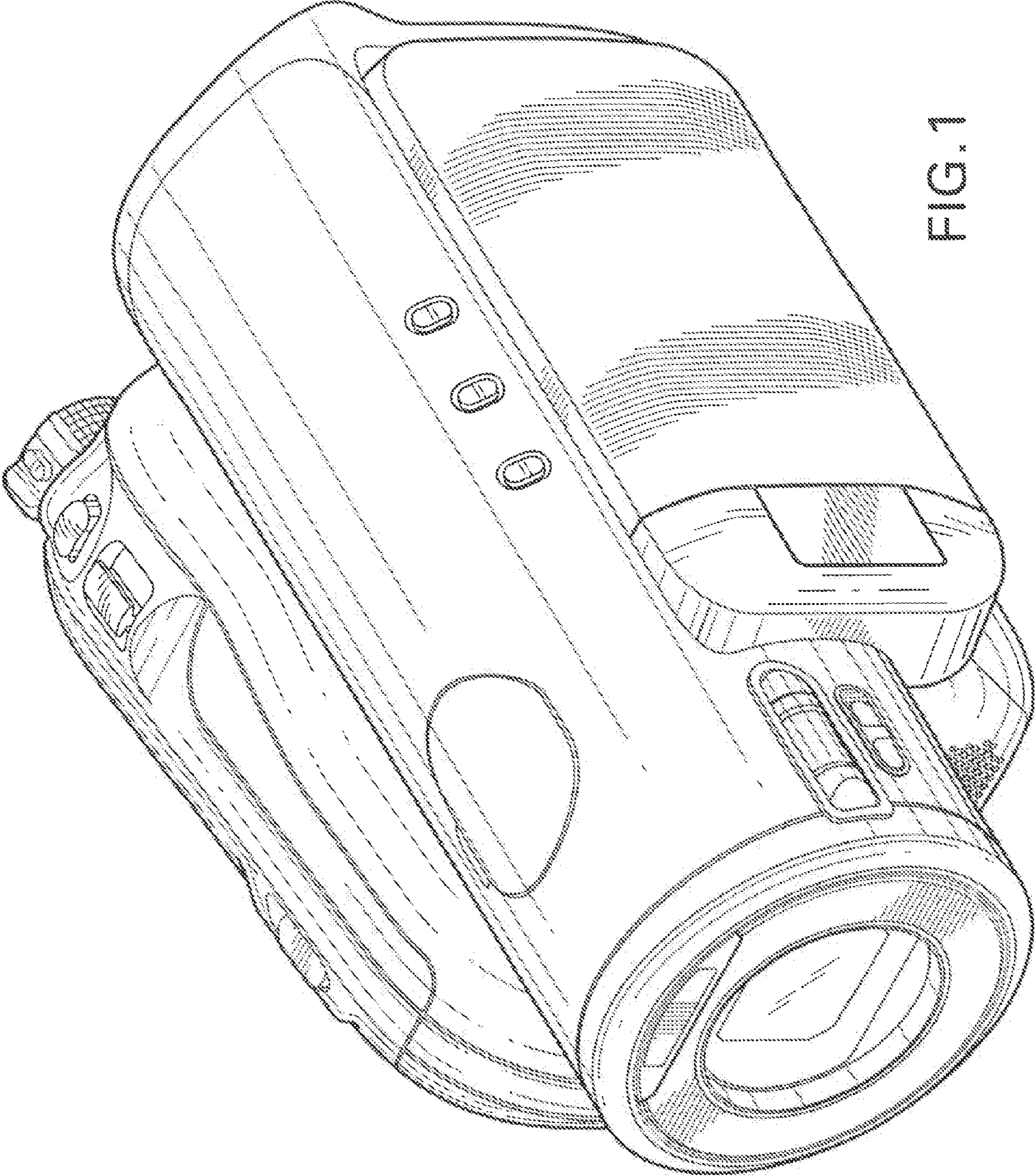


FIG. 1

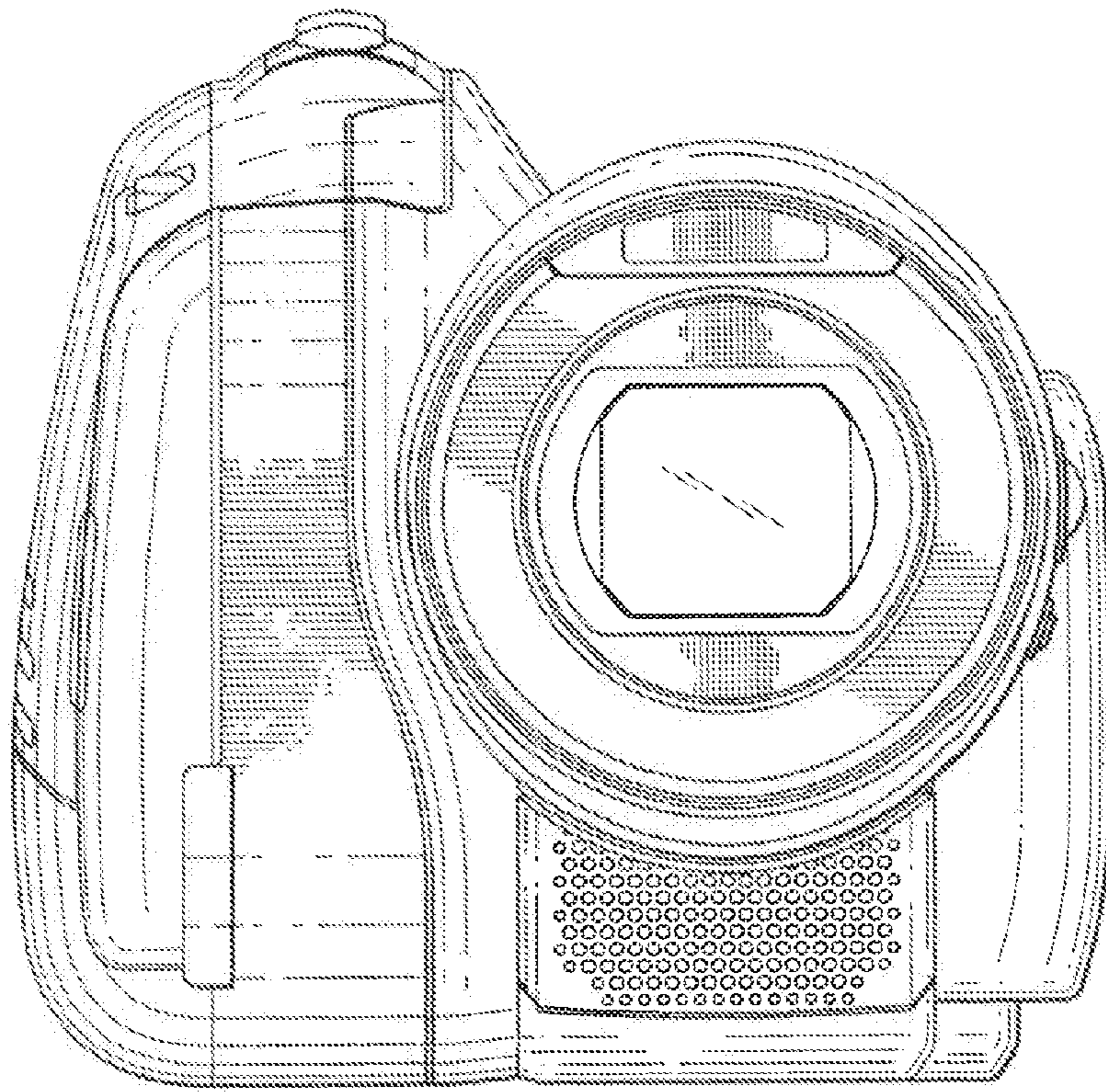


FIG. 2

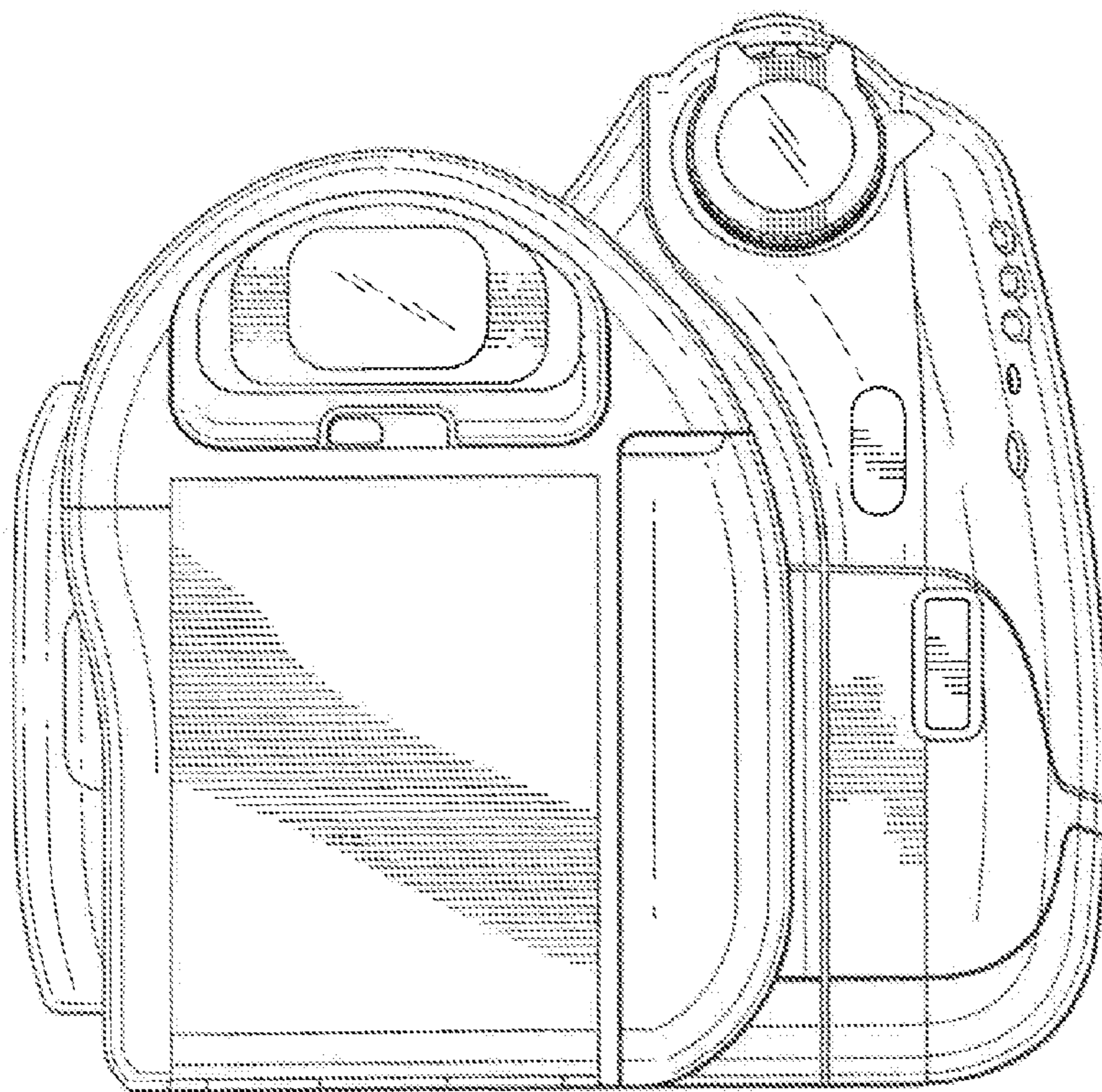


FIG. 3

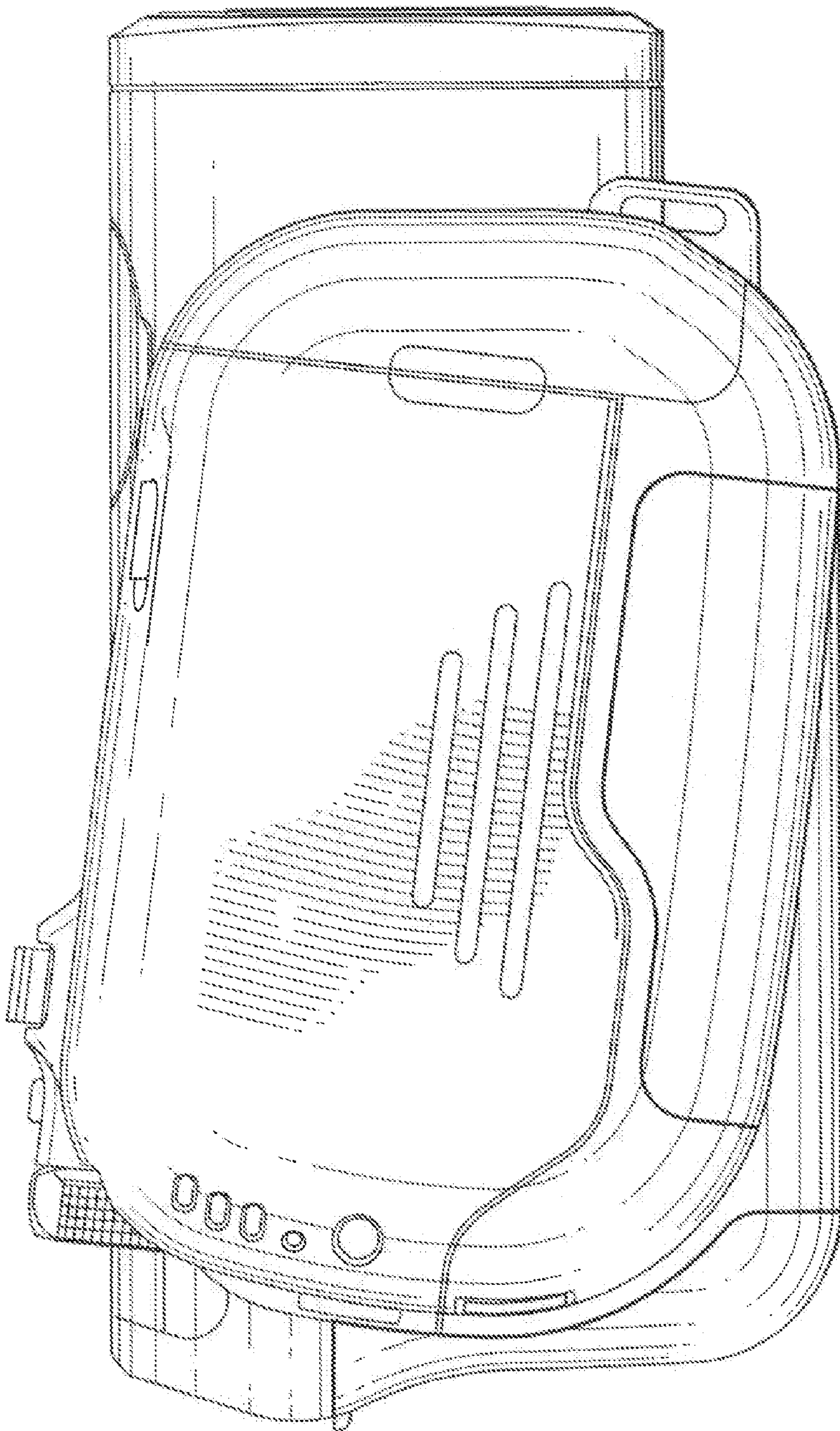


FIG.4

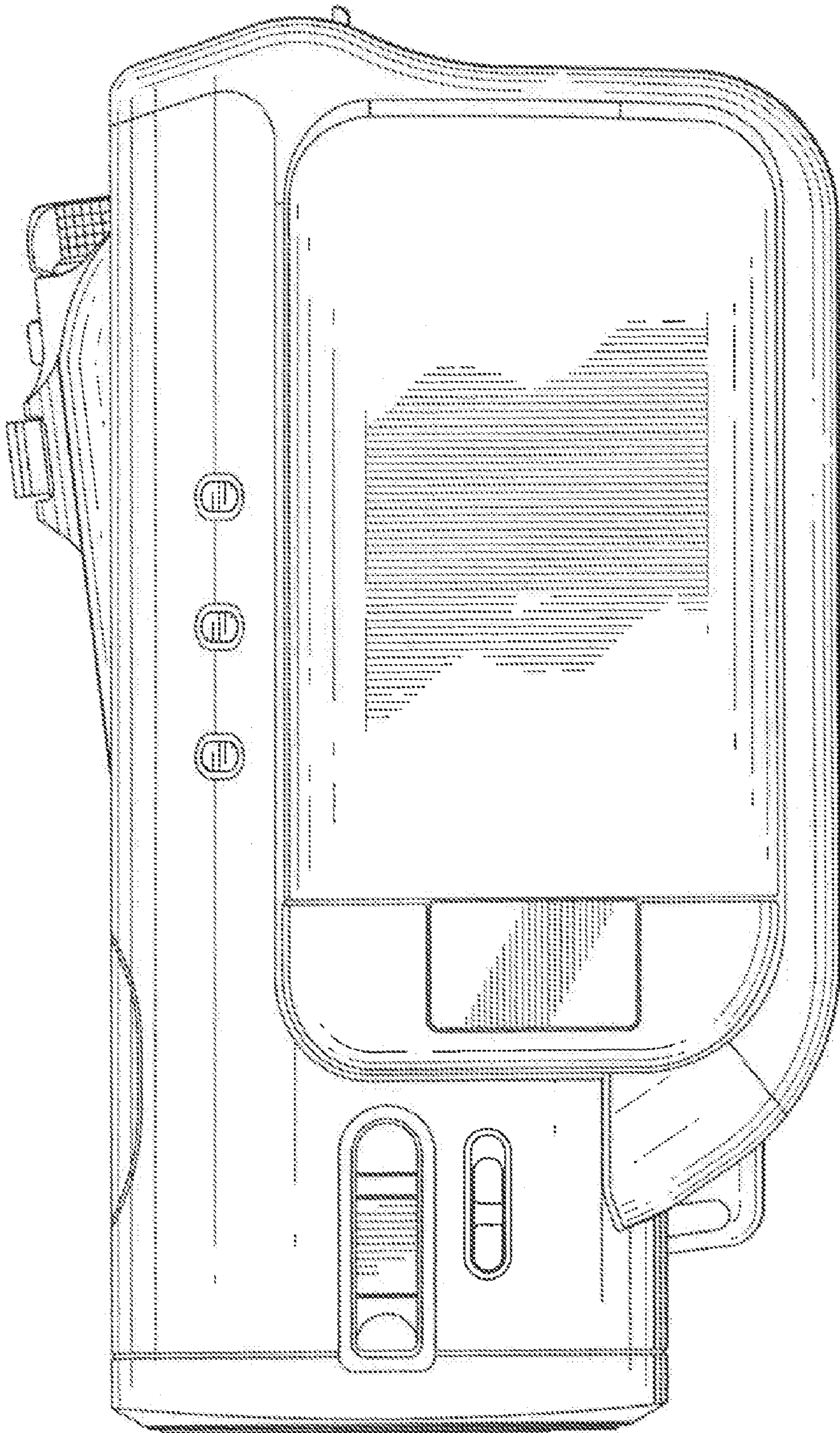


FIG. 5

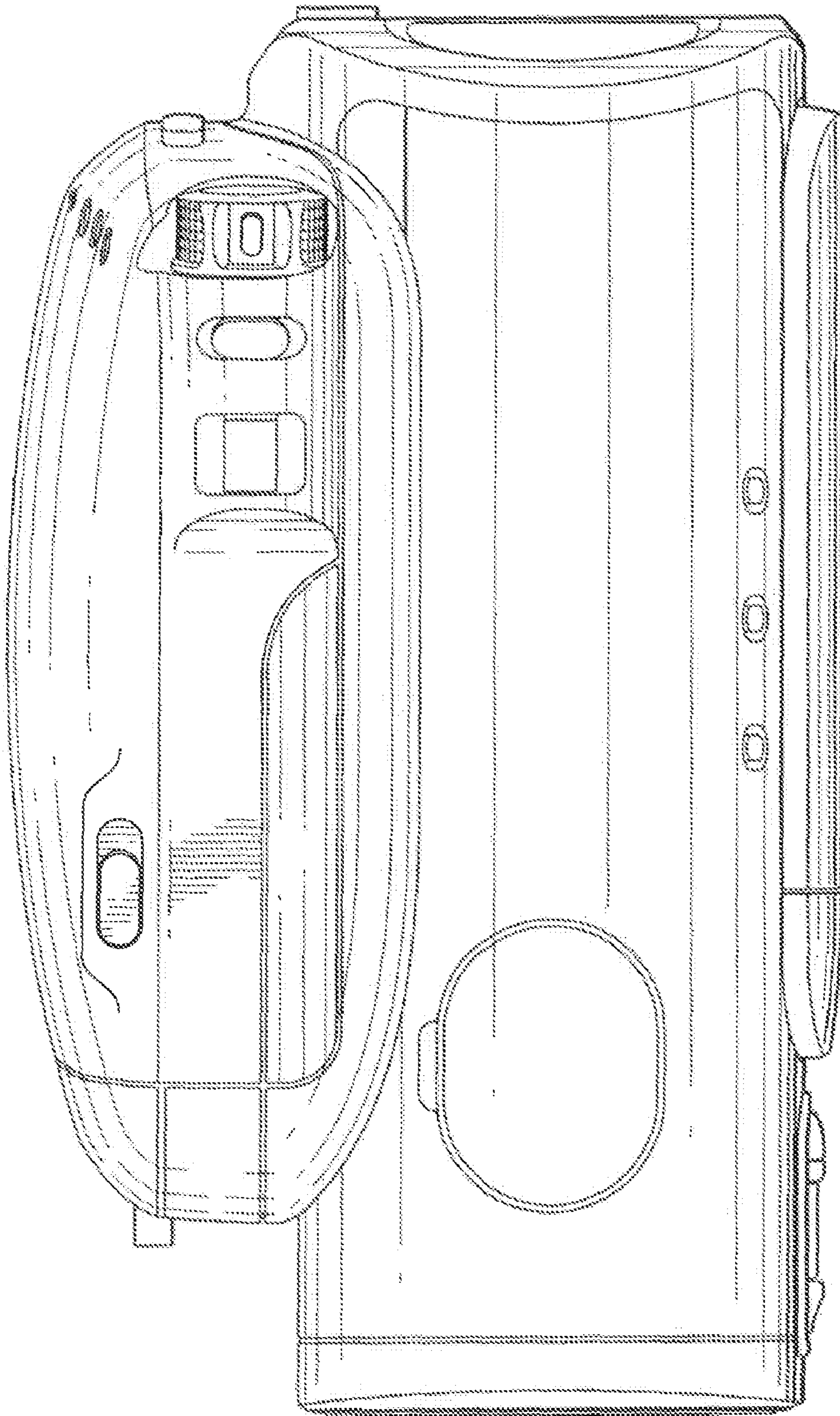


FIG. 6

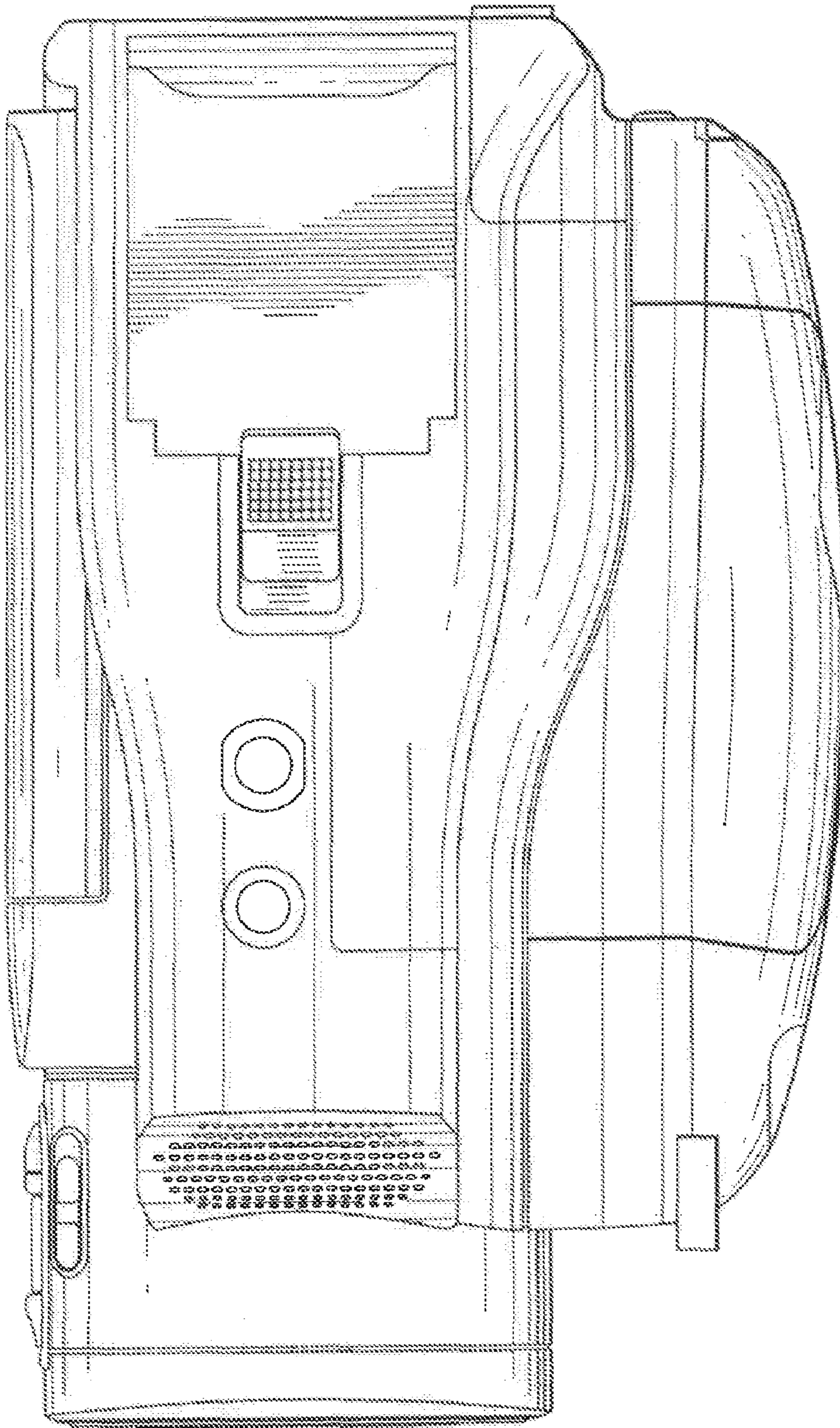


FIG. 7