



US00D559873S

(12) **United States Design Patent**
Wright et al.

(10) **Patent No.:** **US D559,873 S**
(45) **Date of Patent:** **** Jan. 15, 2008**

(54) **SAW**

5,720,095 A * 2/1998 Lennartsson 29/509
6,272,960 B1 * 8/2001 Dibbern et al. 30/517

(75) Inventors: **Stuart J. Wright**, Timonium, MD (US); **Daniel L. Lopano**, Towson, MD (US); **Gregg L. Shetty**, Shrewsbury, PA (US); **Peter Chaikowsky**, Bel Air, MD (US); **James D. Schroeder**, Dallastown, PA (US); **Warren A. Ceroll**, Owings Mills, MD (US); **Darren B. Moss**, Cockeysville, MD (US)

* cited by examiner

Primary Examiner—Antoine D. Davis
(74) *Attorney, Agent, or Firm*—Scott B. Markow

(73) Assignee: **Black & Decker Inc.**, Newark, DE (US)

(57) **CLAIM**

The ornamental design for a saw, as shown and described.

(**) Term: **14 Years**

DESCRIPTION

(21) Appl. No.: **29/273,226**

(22) Filed: **Feb. 28, 2007**

Related U.S. Application Data

(63) Continuation of application No. 29/266,579, filed on Sep. 25, 2006, now Pat. No. Des. 543,220, which is a continuation of application No. 29/257,444, filed on Apr. 4, 2006, now Pat. No. Des. 541,830, which is a continuation of application No. 29/213,353, filed on Sep. 16, 2004, now Pat. No. Des. 523,038, which is a continuation of application No. 29/192,203, filed on Oct. 21, 2003, now Pat. No. Des. 510,048, which is a continuation of application No. 29/170,049, filed on Oct. 30, 2002, now Pat. No. Des. 486,165.

FIG. 1 is a front perspective view of a saw according to the invention, where FIGS. 1A–1B show the saw with a table in retracted and extended positions, respectively.

FIG. 2 is a top plan view, where FIGS. 2A–2B show the saw with a table in retracted and extended positions, respectively.

FIG. 3 is a right side elevational view, where FIGS. 3A–3B show the saw with a table in retracted and extended positions, respectively.

FIG. 4 is a left side elevational view, where FIGS. 4A–4B show the saw with a table in retracted and extended positions, respectively.

FIG. 5 is a front elevational view saw.

FIG. 6 is a rear elevational view of the saw; and,

FIG. 7 is a bottom plan view of the, where FIGS. 7A–7B show the saw with a table in retracted and extended positions, respectively.

In the above drawings, any views not shown thereof do not form a part of the invention. In addition, any wording or numerals shown therein does not form a part of the invention.

(51) **LOC (8) Cl.** **15-09**

(52) **U.S. Cl.** **D15/133**

(58) **Field of Classification Search** D15/133;
30/377–378, 388–391, 517–525; 83/471.2,
83/471.3, 581, 472, 477.1, 477.2

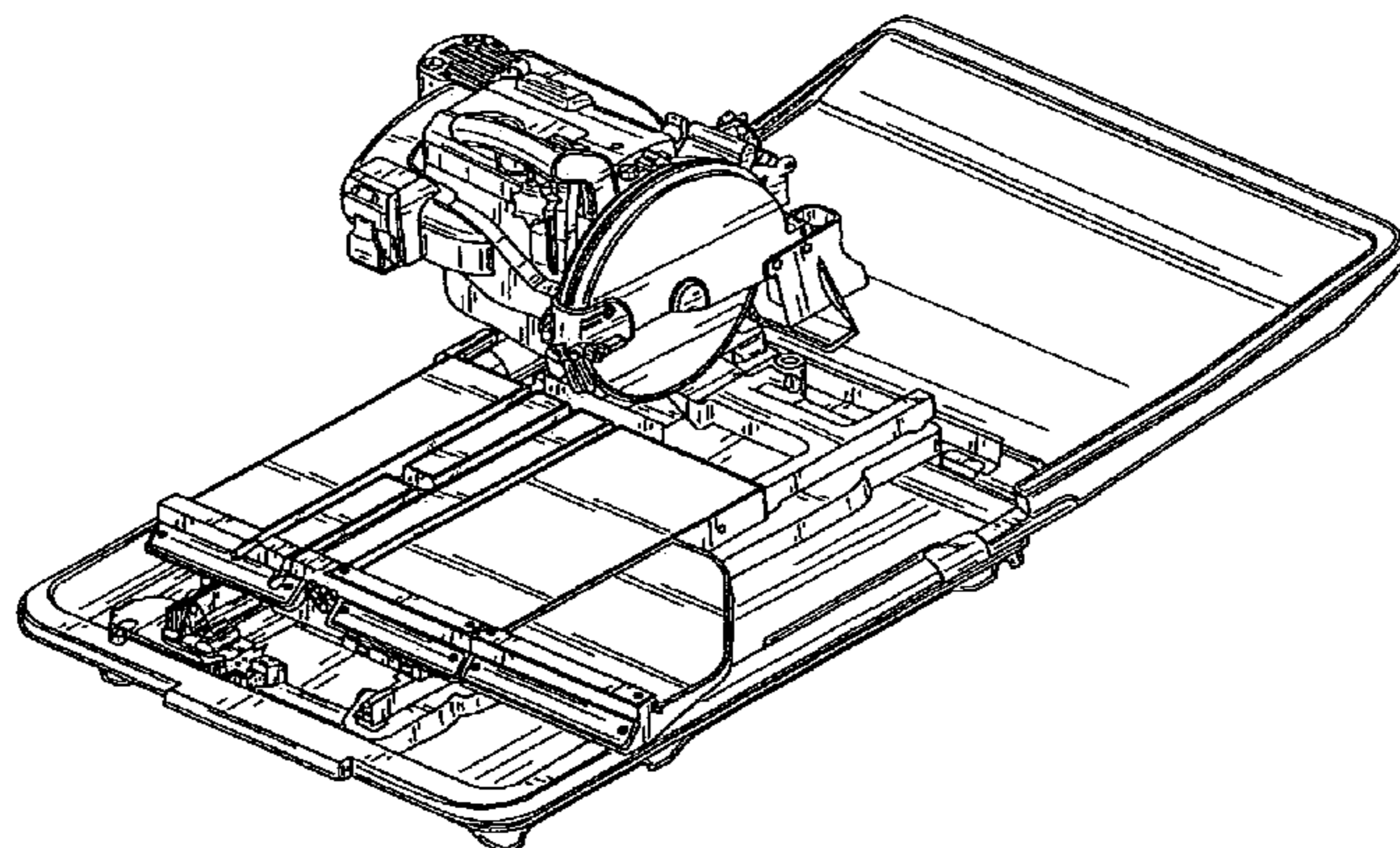
See application file for complete search history.

(56) **References Cited**

U.S. PATENT DOCUMENTS

D372,484 S * 8/1996 Price et al. D15/133

1 Claim, 12 Drawing Sheets



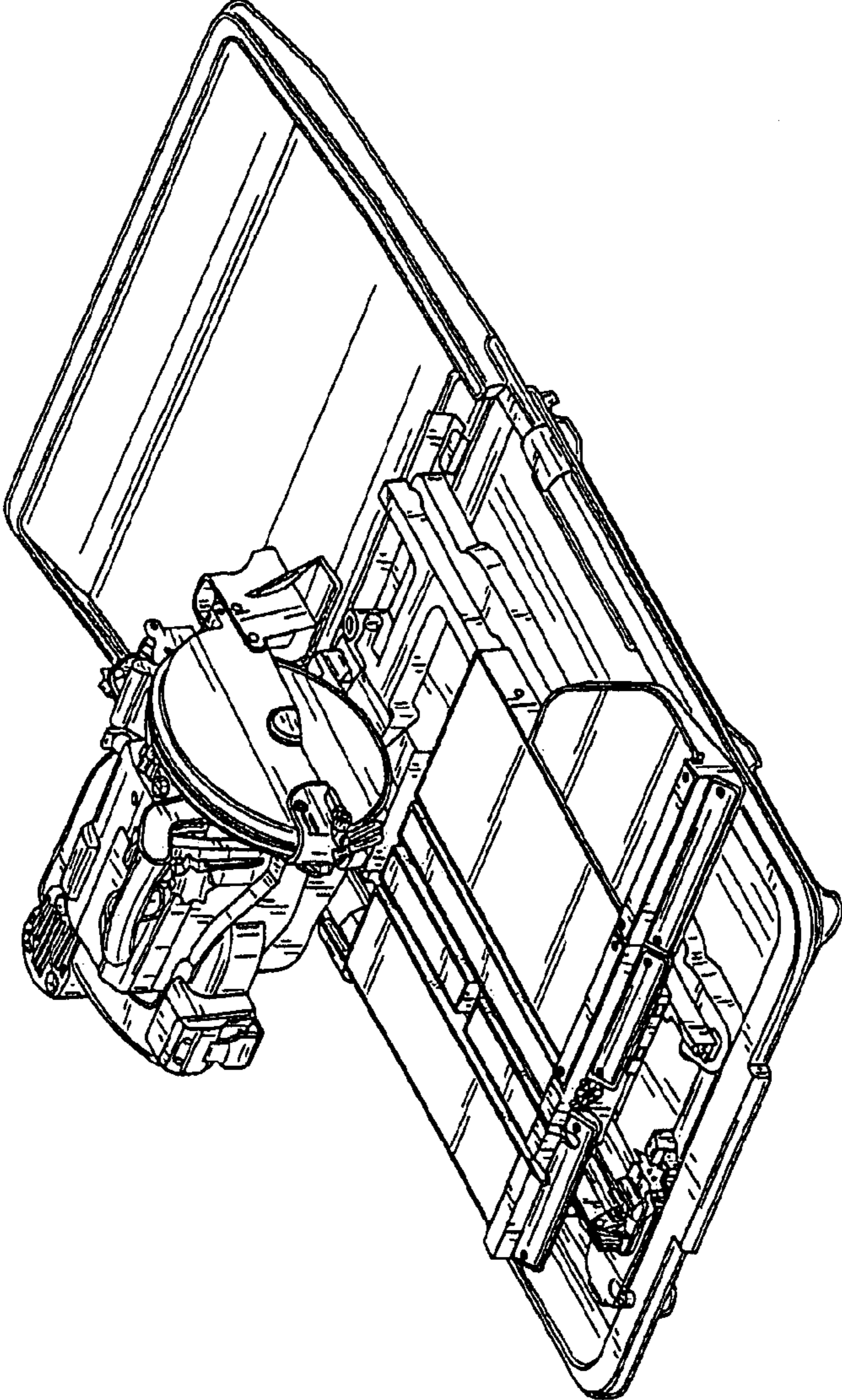


FIG. 1A

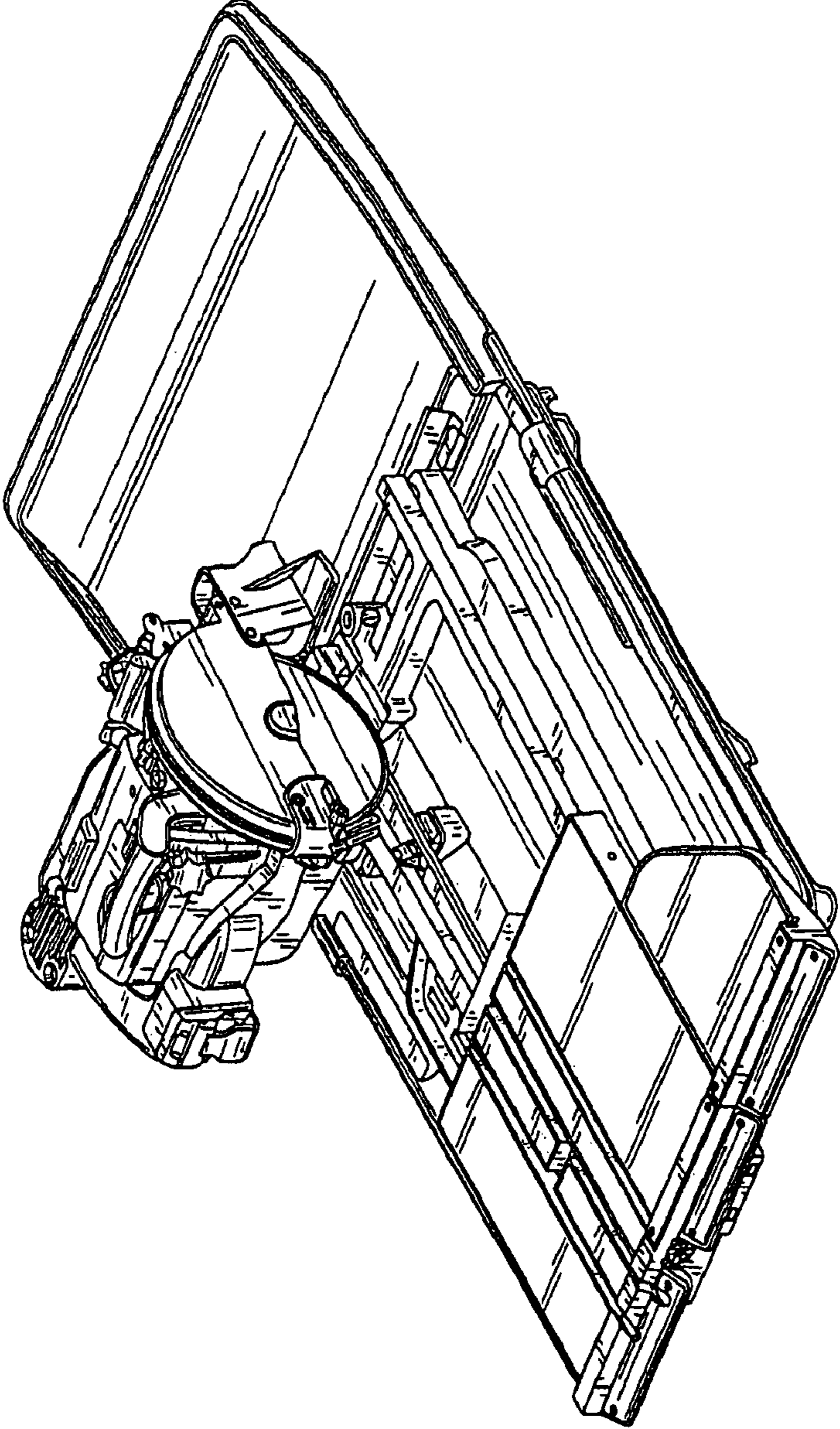


FIG. 1B

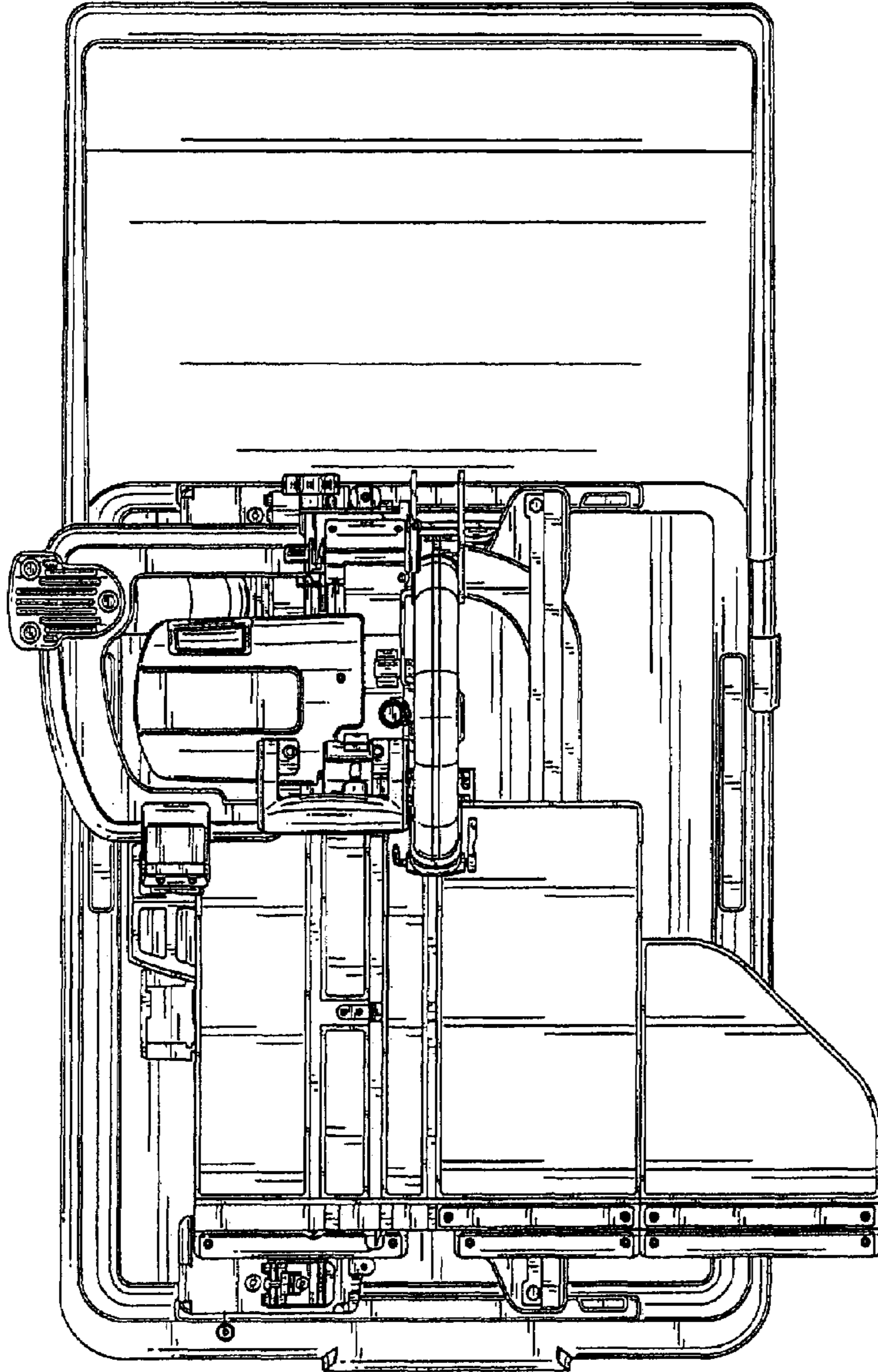


FIG. 2A

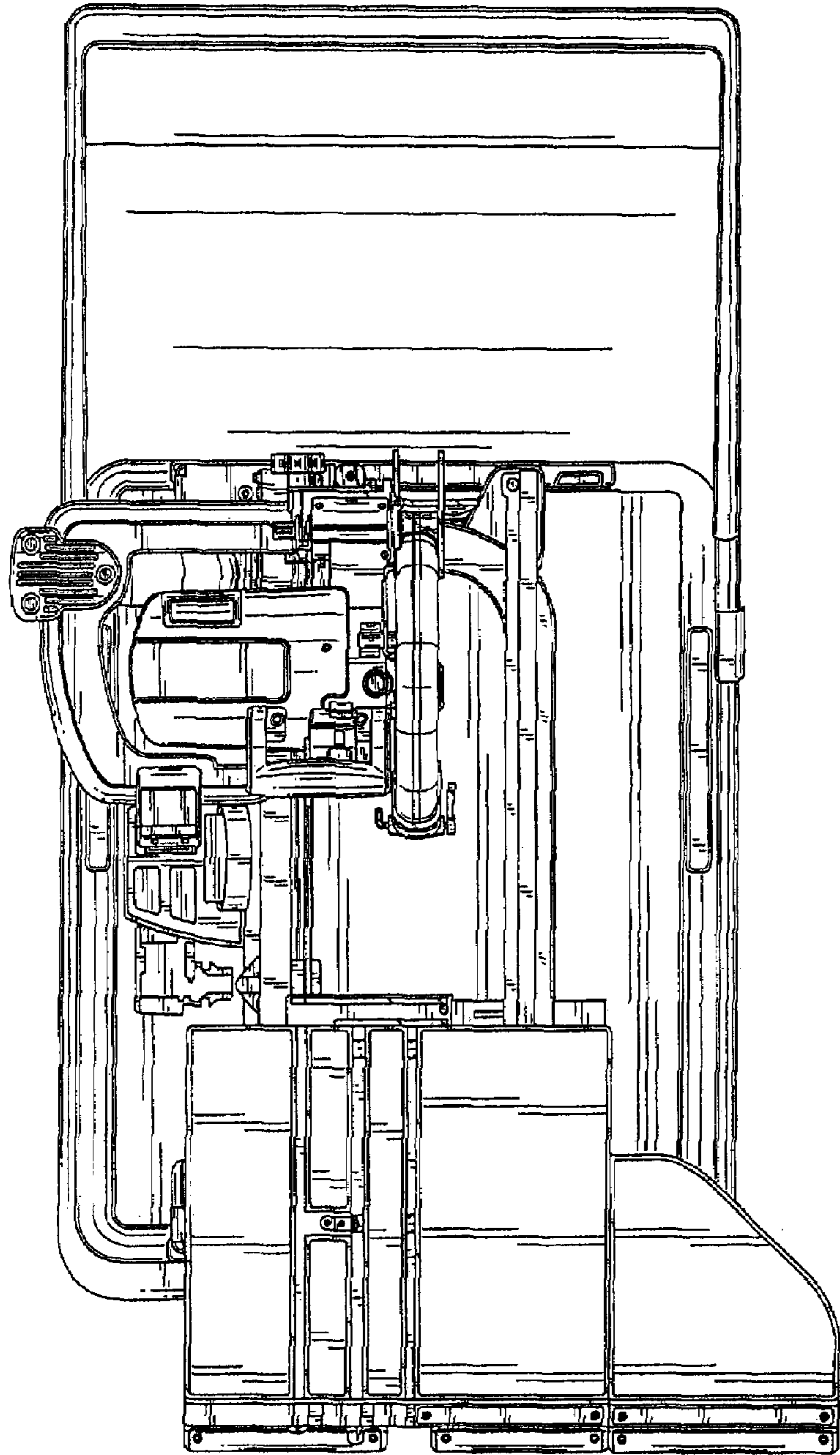


FIG. 2B

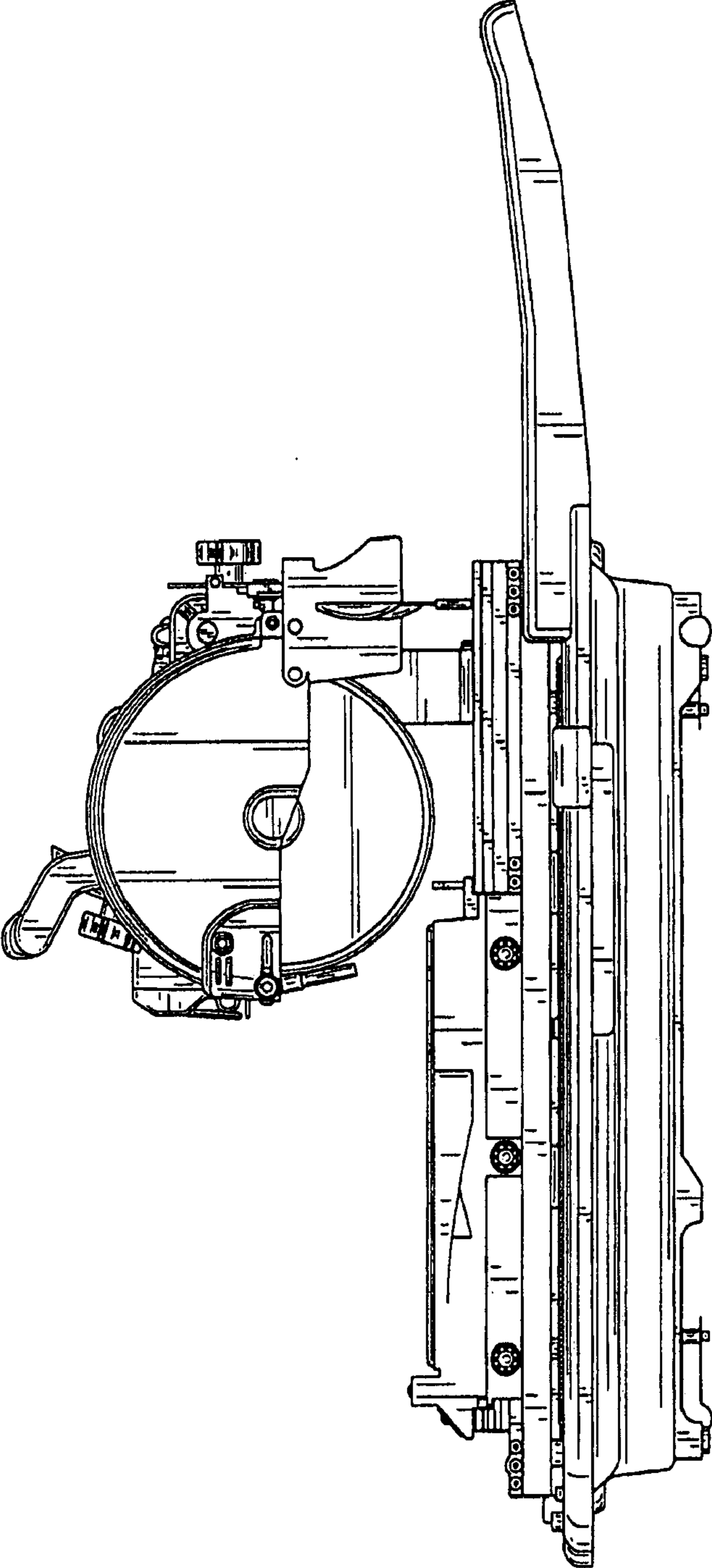


FIG. 3A

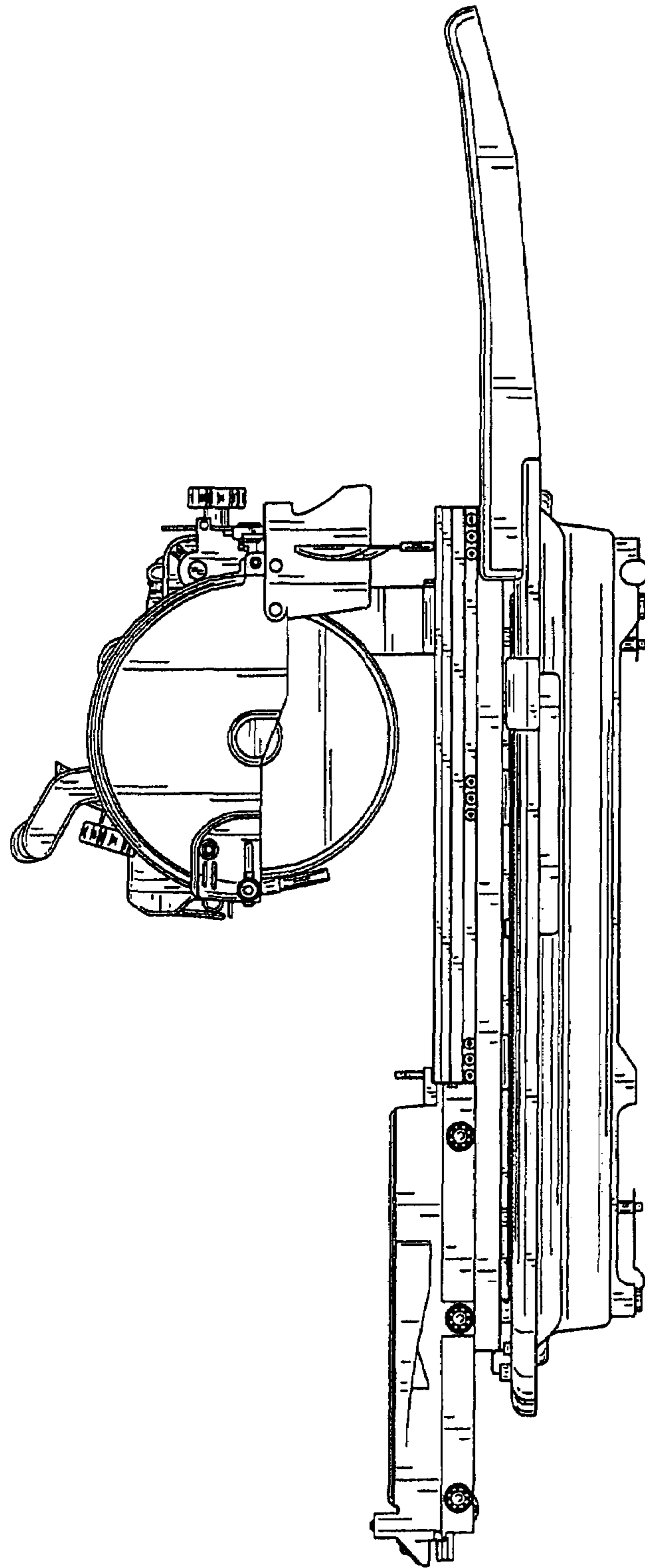


FIG. 3B

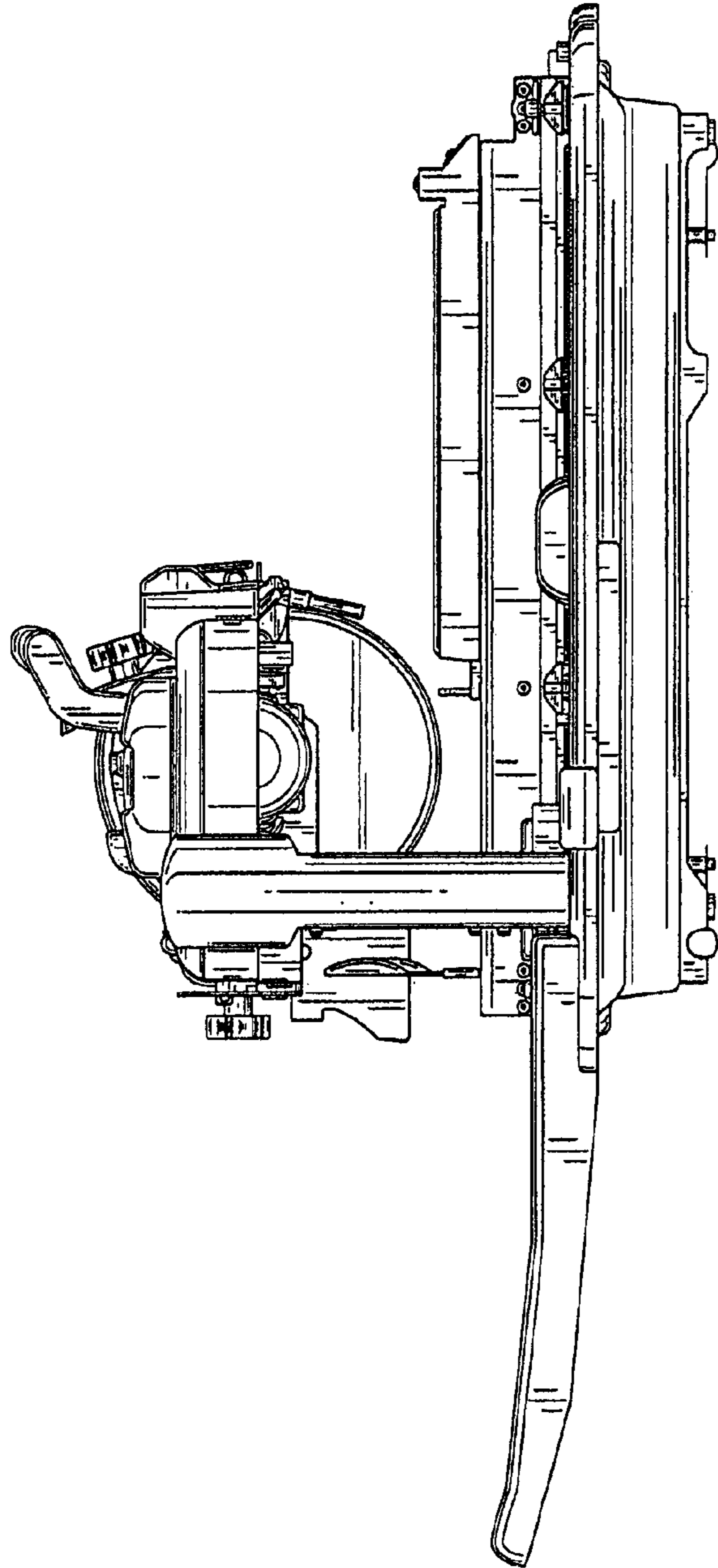


FIG. 4A

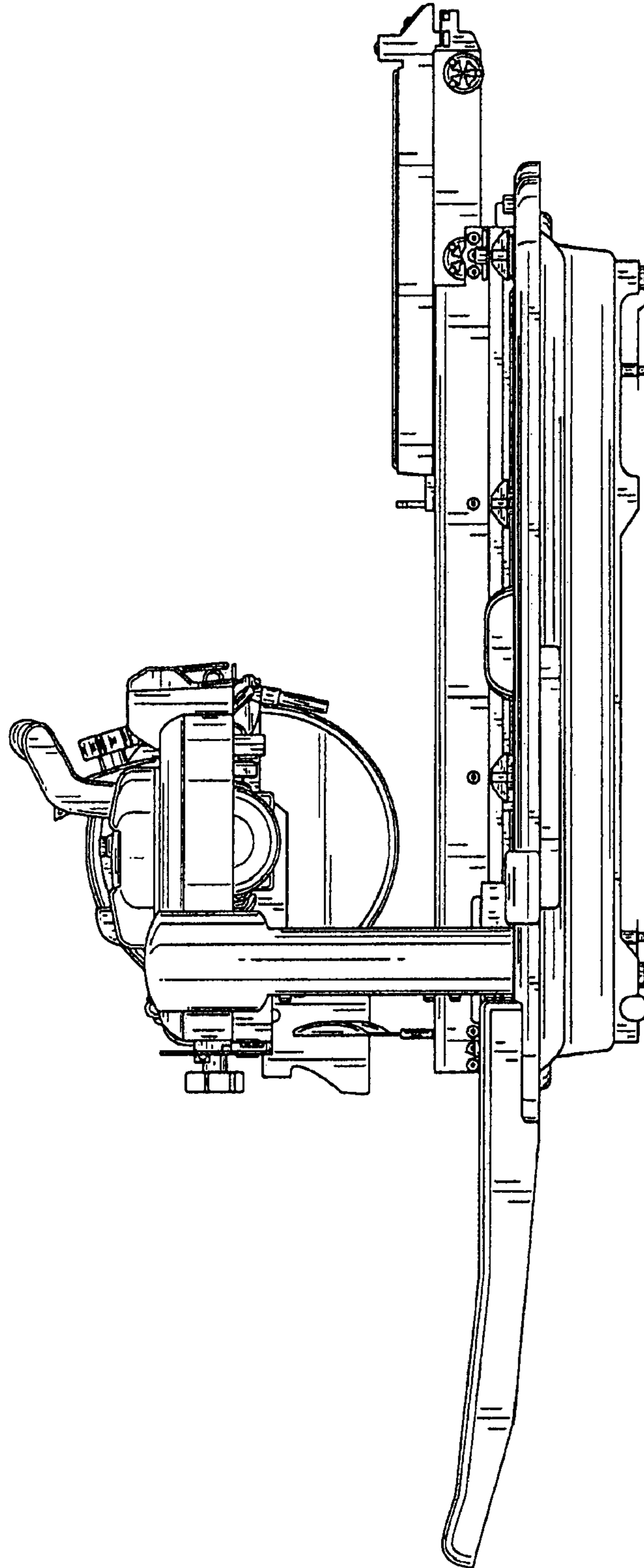


FIG. 4B

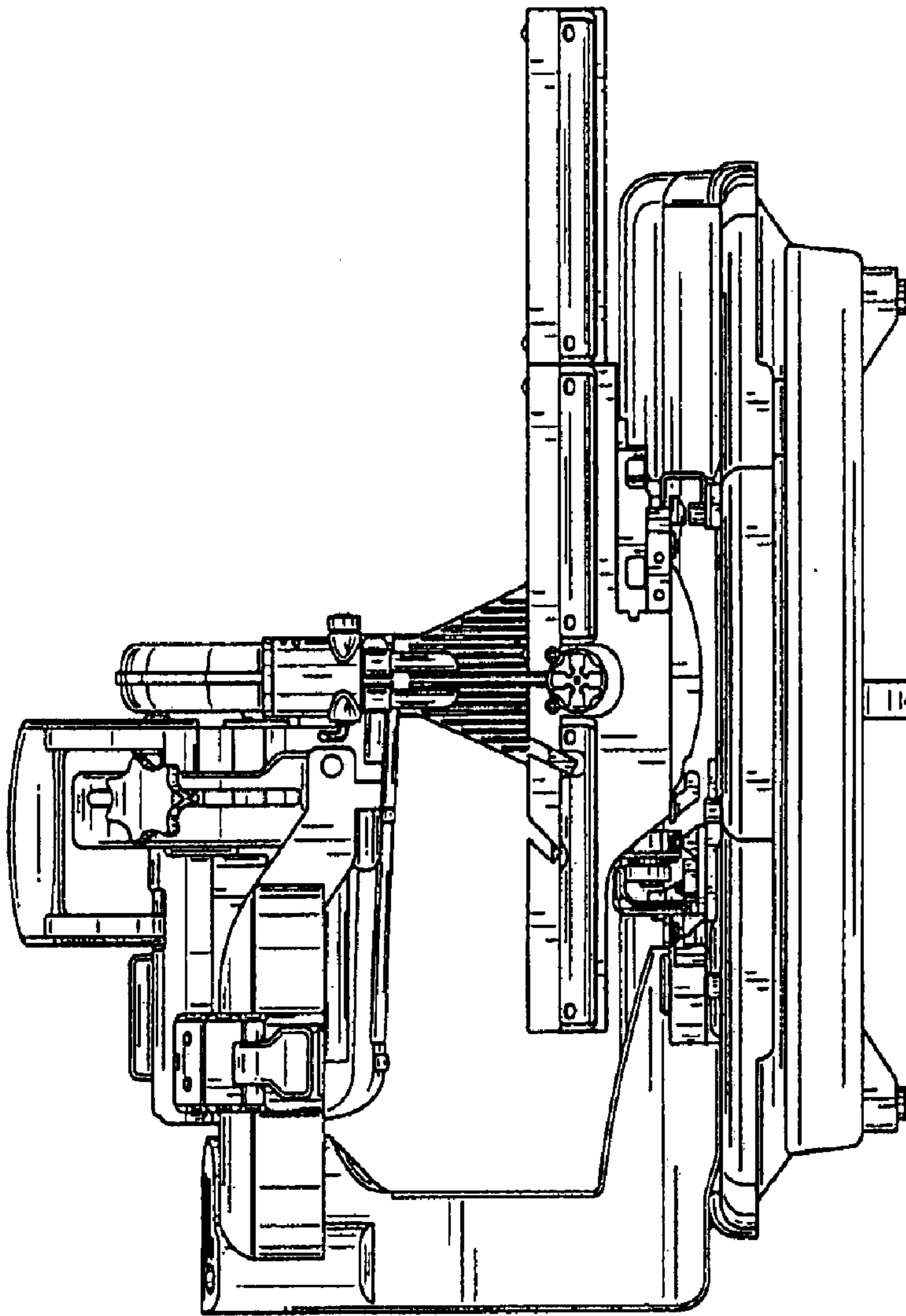


FIG. 5

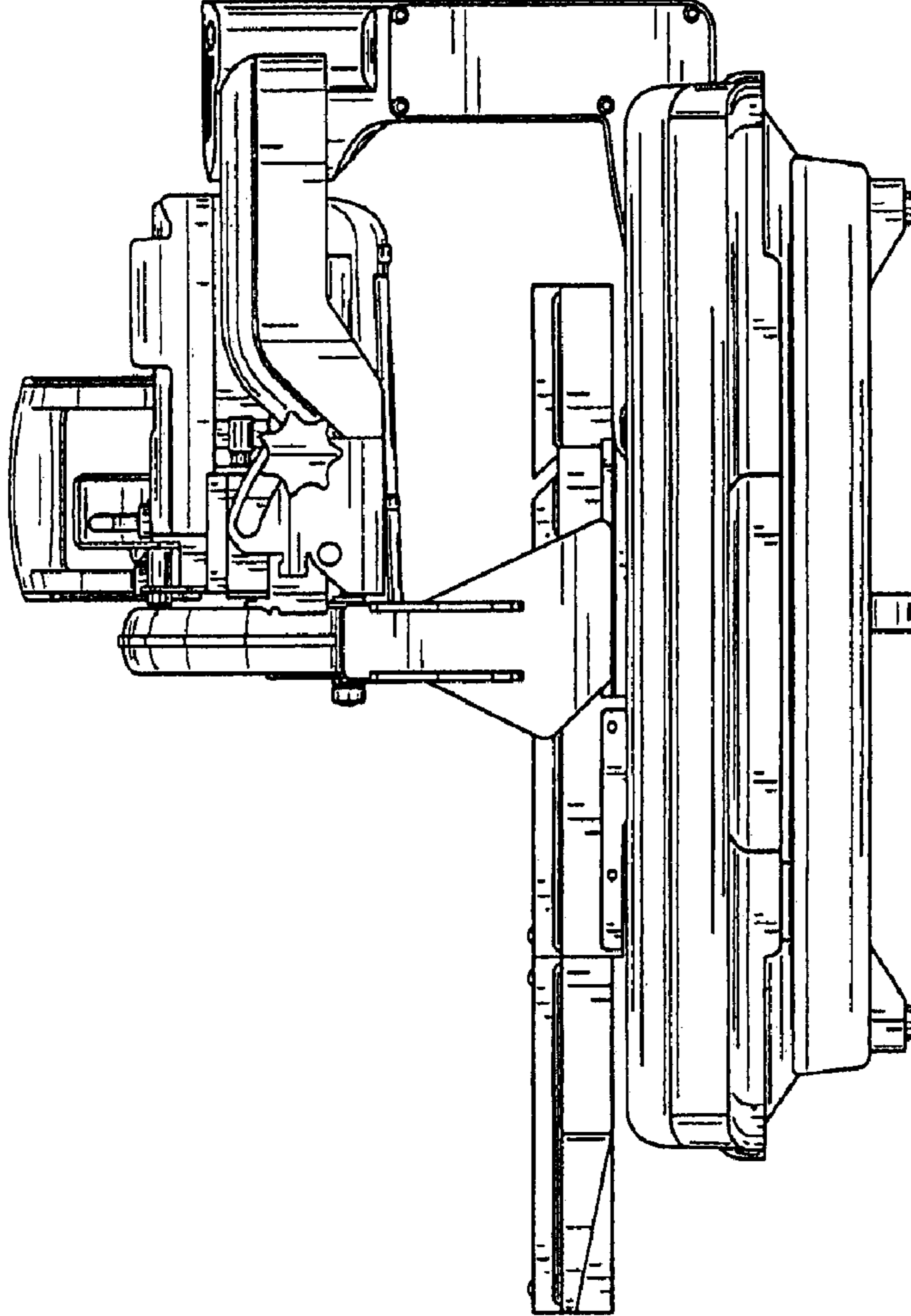


FIG. 6

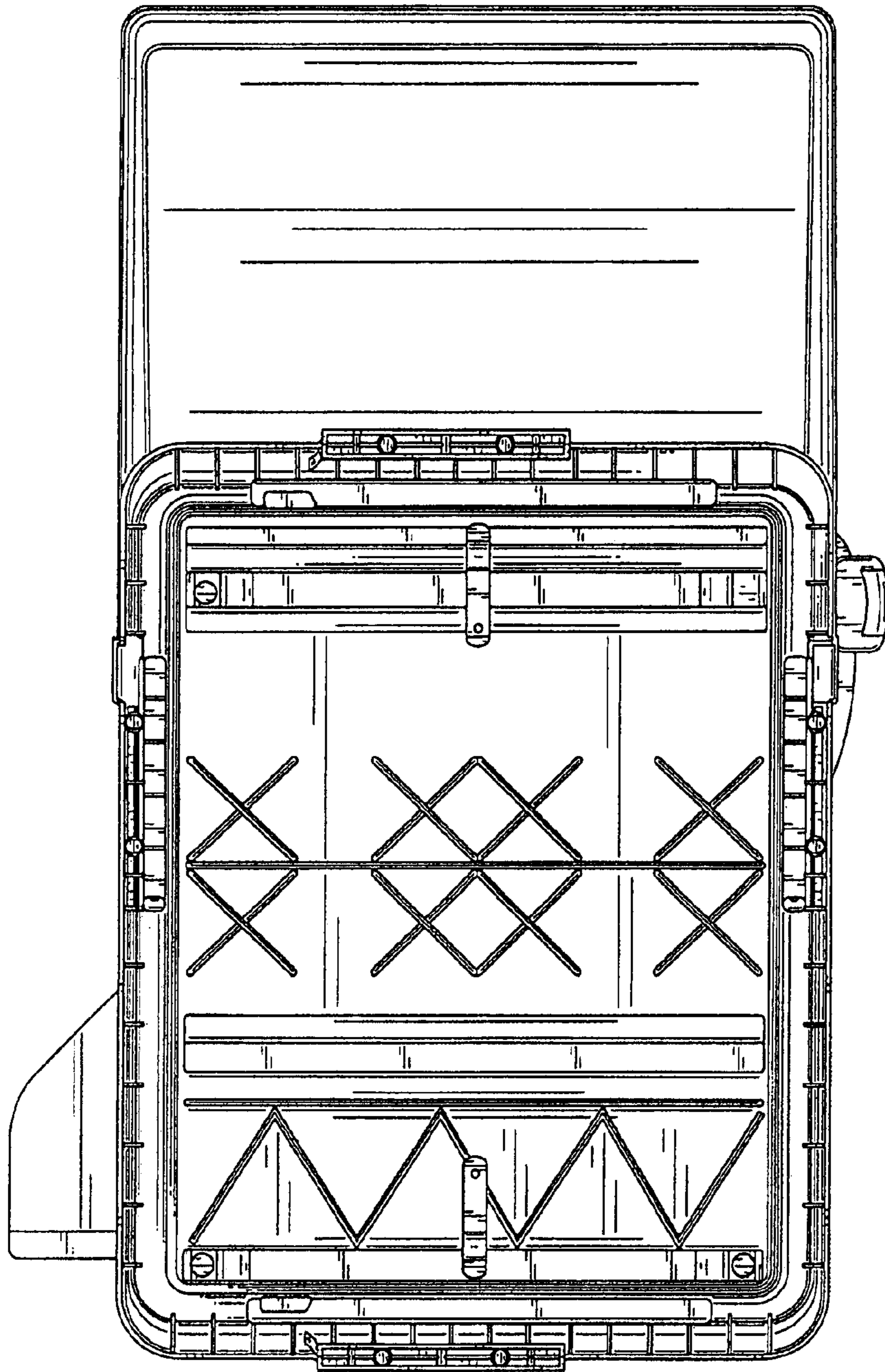


FIG. 7A

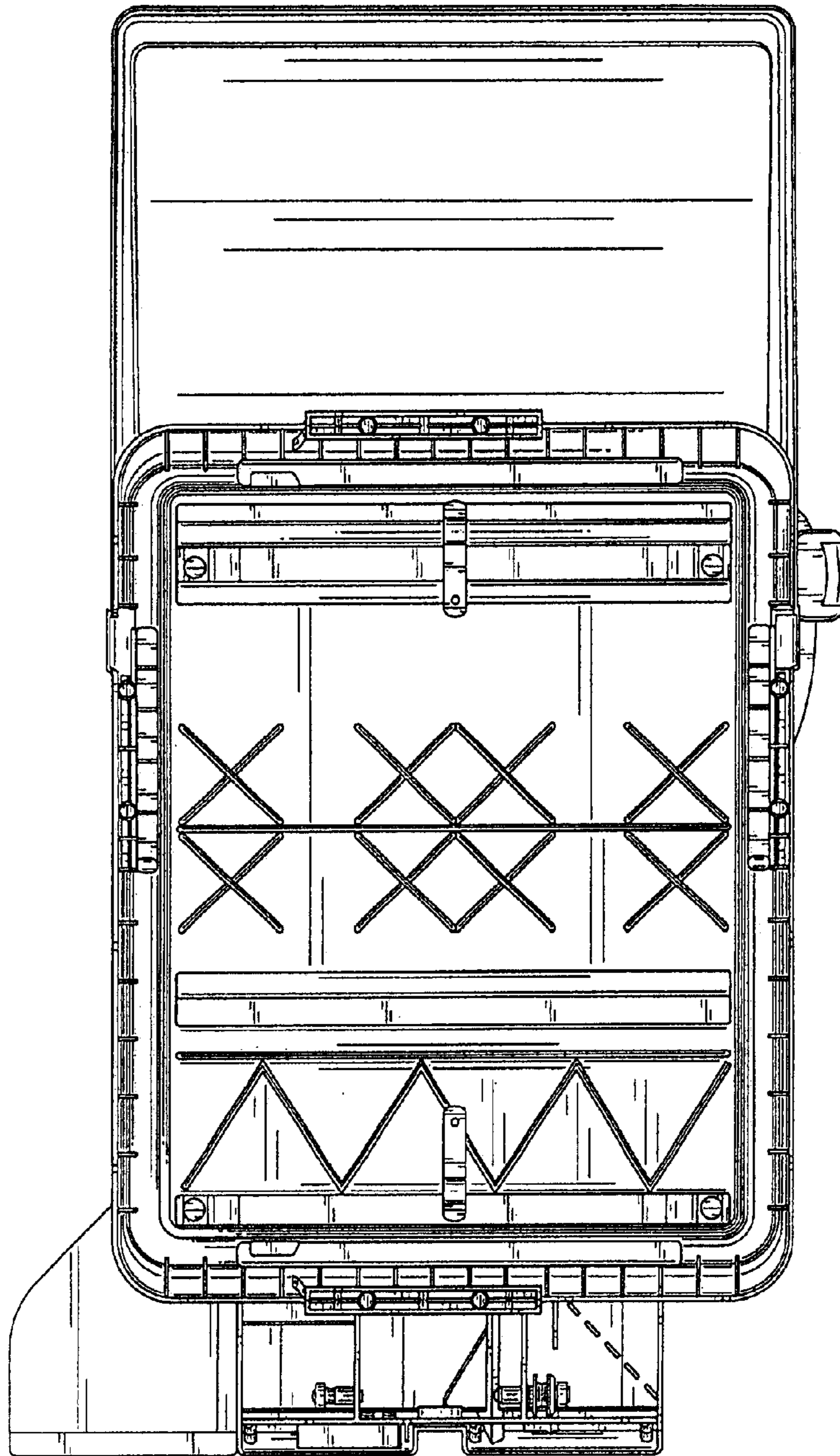


FIG. 7B