



US00D559868S

(12) **United States Design Patent**  
**Nanlawala et al.**

(10) **Patent No.:** **US D559,868 S**  
(45) **Date of Patent:** **\*\* Jan. 15, 2008**

(54) **FRONT FOLD PLANTER**

(75) Inventors: **Sajid Nanlawala**, Chicago, IL (US);  
**Travis Lester Harnetiaux**, Joliet, IL  
(US); **Rodney Samuel Horn**,  
Woodridge, IL (US); **Chad M Johnson**,  
Arlington Heights, IL (US); **Ricardo**  
**Diaz**, Westchester, IL (US); **Gerald**  
**Wayne Poole**, Plainfield, IL (US);  
**Brian John Anderson**, Yorkville, IL  
(US); **Leonard A Bettin**, LaGrange  
Park, IL (US)

6,502,645	B1 *	1/2003	Brueggen et al. ....	172/311
D469,782	S *	2/2003	Paluch et al. ....	D15/10
6,666,155	B2 *	12/2003	Paluch et al. ....	111/54
6,902,010	B2 *	6/2005	Shoup .....	172/456
6,935,254	B2 *	8/2005	Ostrander et al. ....	111/174
2003/0164126	A1 *	9/2003	Paluch et al. ....	111/57
2003/0164127	A1 *	9/2003	Paluch .....	111/200
2004/0011538	A1 *	1/2004	Raducha et al. ....	172/311
2004/0050563	A1 *	3/2004	Shoup .....	172/311
2004/0149464	A1 *	8/2004	Arnett .....	172/311
2005/0087350	A1 *	4/2005	Bauer .....	172/311
2006/0081163	A1 *	4/2006	Auer et al. ....	111/130
2007/0163791	A1 *	7/2007	Meek .....	172/311

(73) Assignee: **CNH America LLC**, New Holland, PA  
(US)

\* cited by examiner

(\*\*) Term: **14 Years**

*Primary Examiner*—Stella M. Reid

*Assistant Examiner*—Mark Goodwin

(74) *Attorney, Agent, or Firm*—Rebecca Henkel

(21) Appl. No.: **29/277,673**

(22) Filed: **Mar. 6, 2007**

(51) **LOC (8) Cl.** ..... **15-03**

(52) **U.S. Cl.** ..... **D15/27; D15/10**

(58) **Field of Classification Search** ..... D15/10,  
D15/12, 27, 28; 56/15.8, 15.9; 172/311,  
172/210, 466, 484, 456, 481, 605, 626, 776,  
172/507; 111/52–57; 280/401, 411 A–411 C,  
280/412, 413, 482, 656, 415 A, 415 R  
See application file for complete search history.

(56) **References Cited**

U.S. PATENT DOCUMENTS

D251,562	S *	4/1979	Hansen .....	D15/33
4,721,168	A *	1/1988	Kinzenbaw .....	172/311
5,232,054	A *	8/1993	Van Blaricon et al. ....	172/311
5,402,945	A *	4/1995	Swanson, Jr. ....	239/706
5,488,996	A *	2/1996	Barry et al. ....	172/311
5,647,440	A *	7/1997	Barry et al. ....	172/311
5,787,988	A *	8/1998	Harlan et al. ....	172/311
5,829,370	A *	11/1998	Bender .....	111/54
6,076,613	A *	6/2000	Frasier .....	172/311
6,213,034	B1 *	4/2001	Raducha et al. ....	111/57

(57) **CLAIM**

We claim the ornamental design for the front fold planter, as shown and described.

**DESCRIPTION**

FIG. 1 is a top left perspective view of the front fold planter showing our new design;

FIG. 2 is a front view of the front fold planter;

FIG. 3 is a top view of the front fold planter;

FIG. 4 is a rear view of the front fold planter;

FIG. 5 is a left side view of front fold planter;

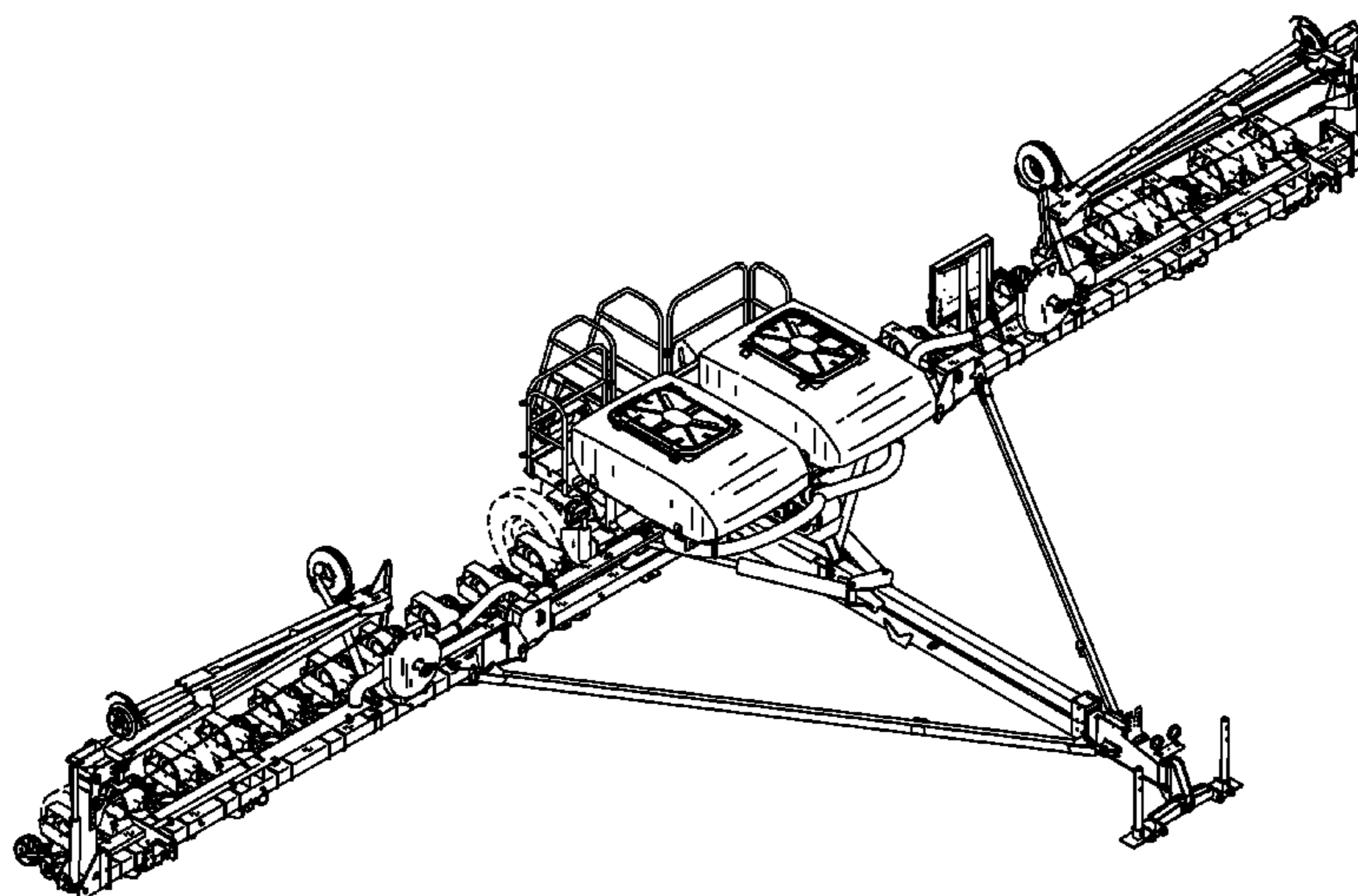
FIG. 6 is a right side view of front fold planter;

FIG. 7 is a bottom view of front fold planter; and,

FIG. 8 is a top left perspective view of the front fold planter shown in folded condition.

The broken line showing of the wheels is included for the purpose of illustrating portions of the front fold planter and forms no part of the claimed design.

**1 Claim, 7 Drawing Sheets**



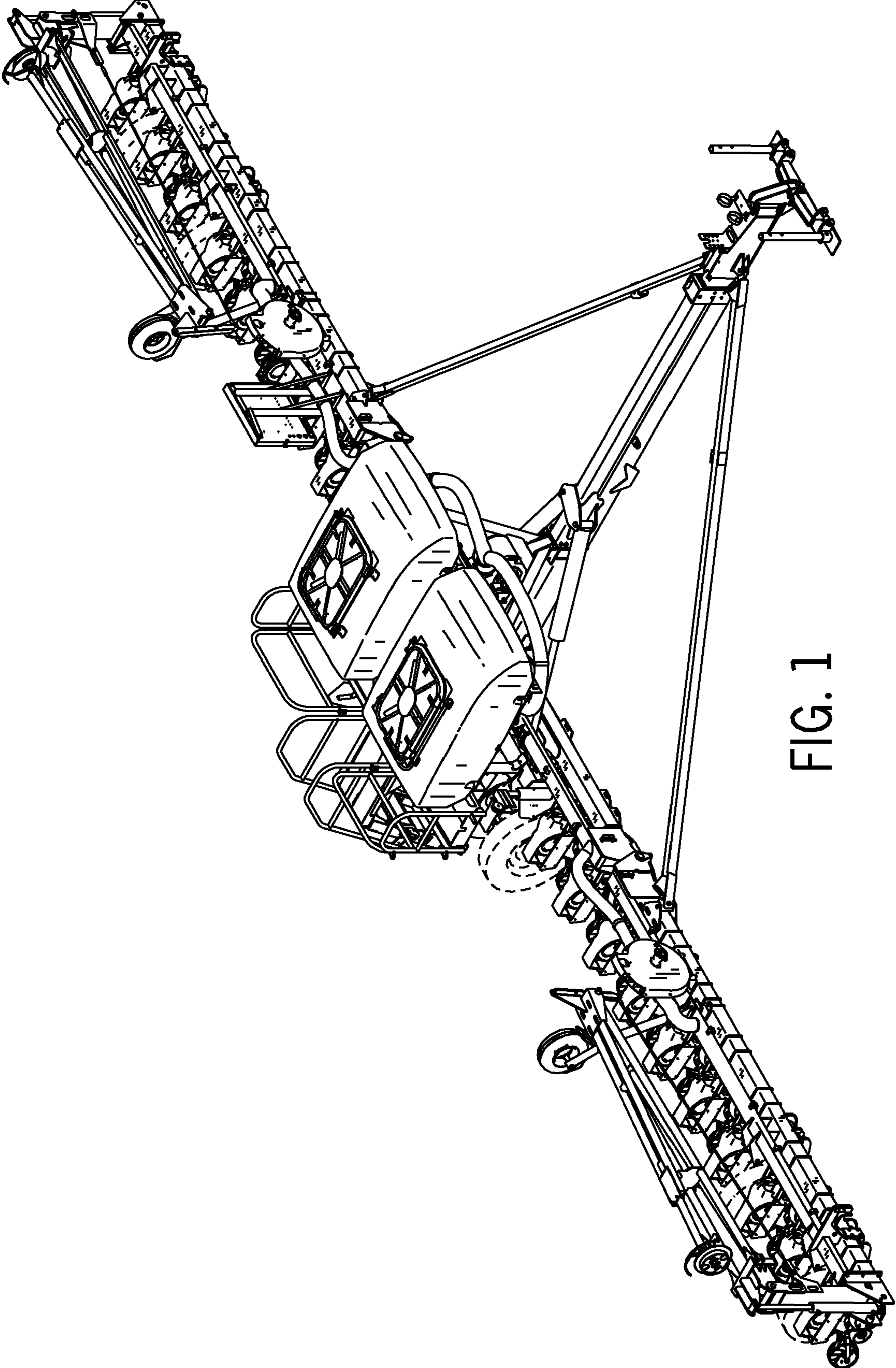


FIG. 1

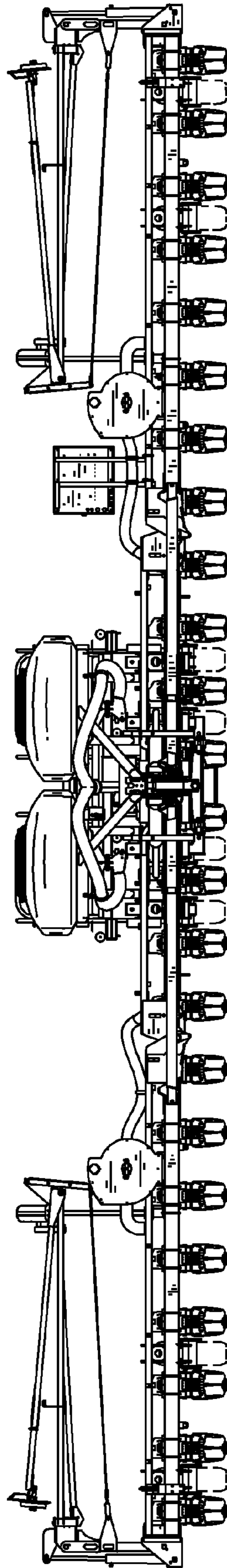


FIG. 2

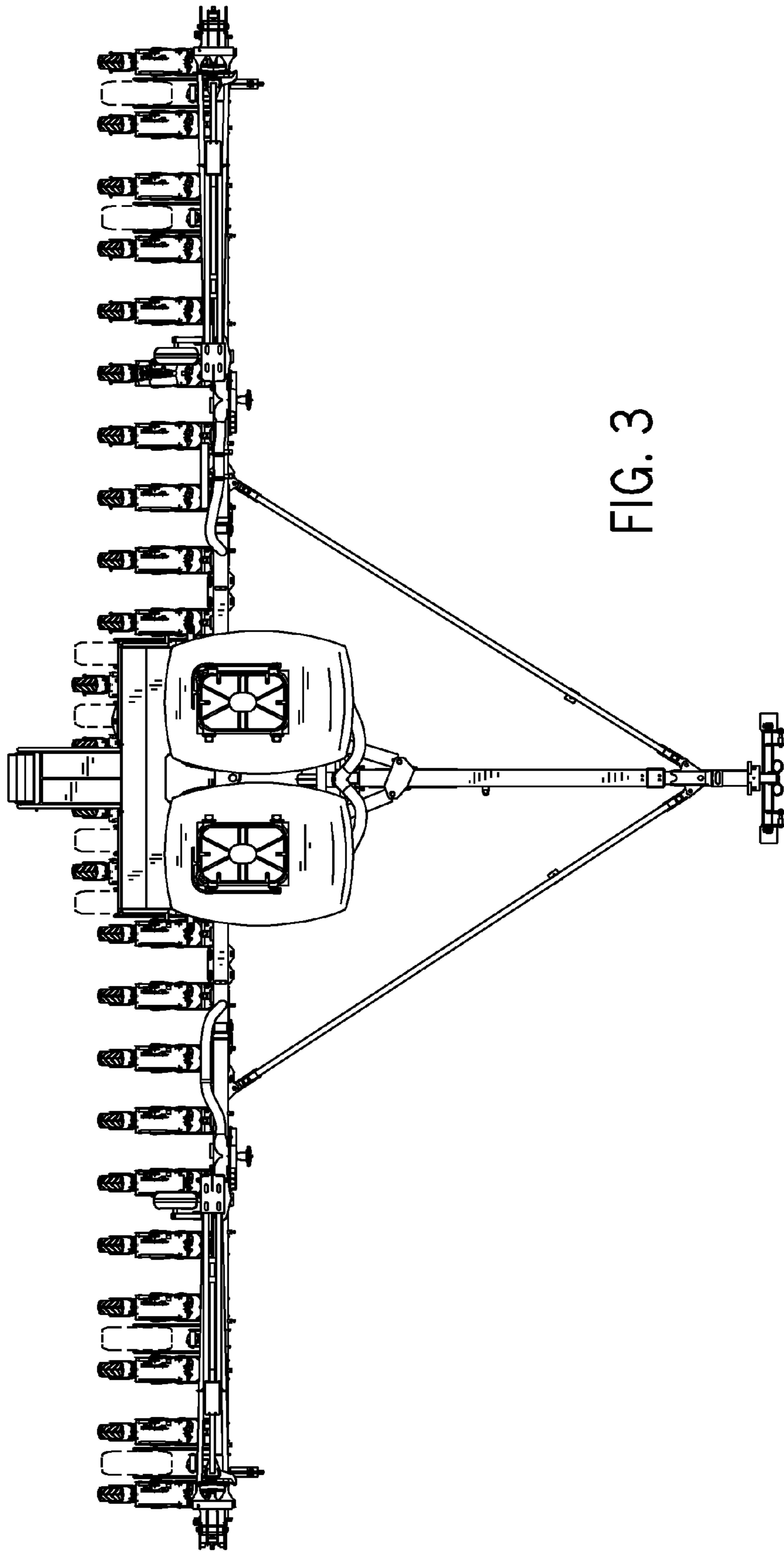


FIG. 3

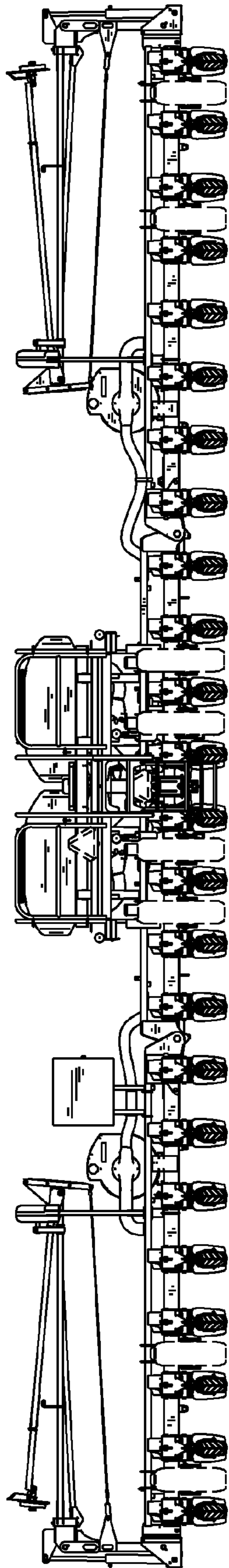


FIG. 4

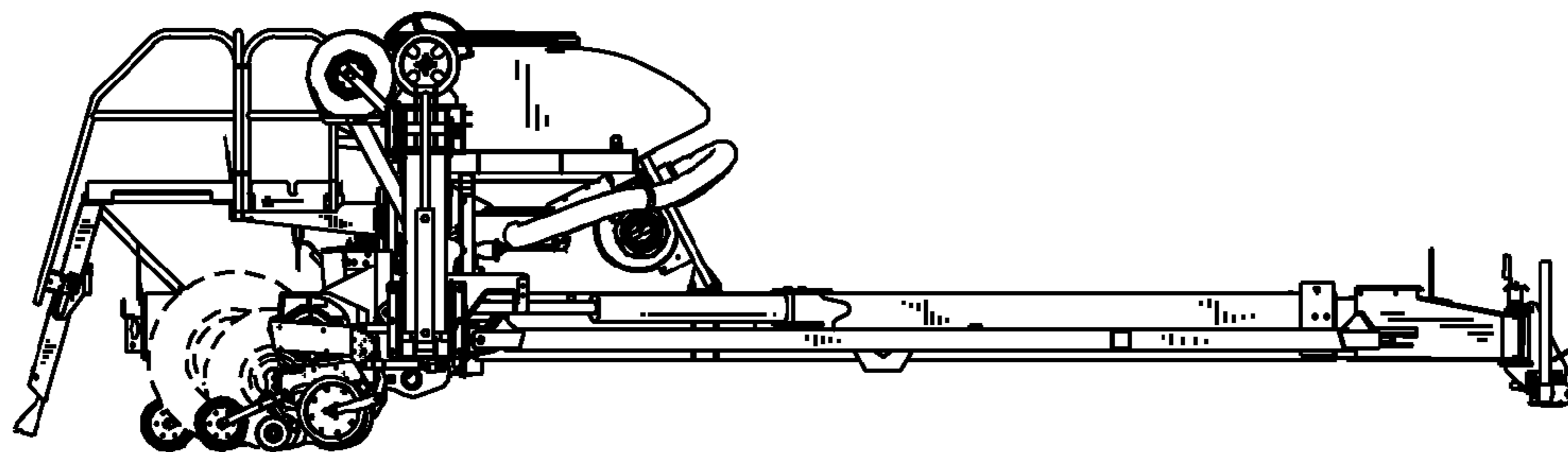


FIG. 5

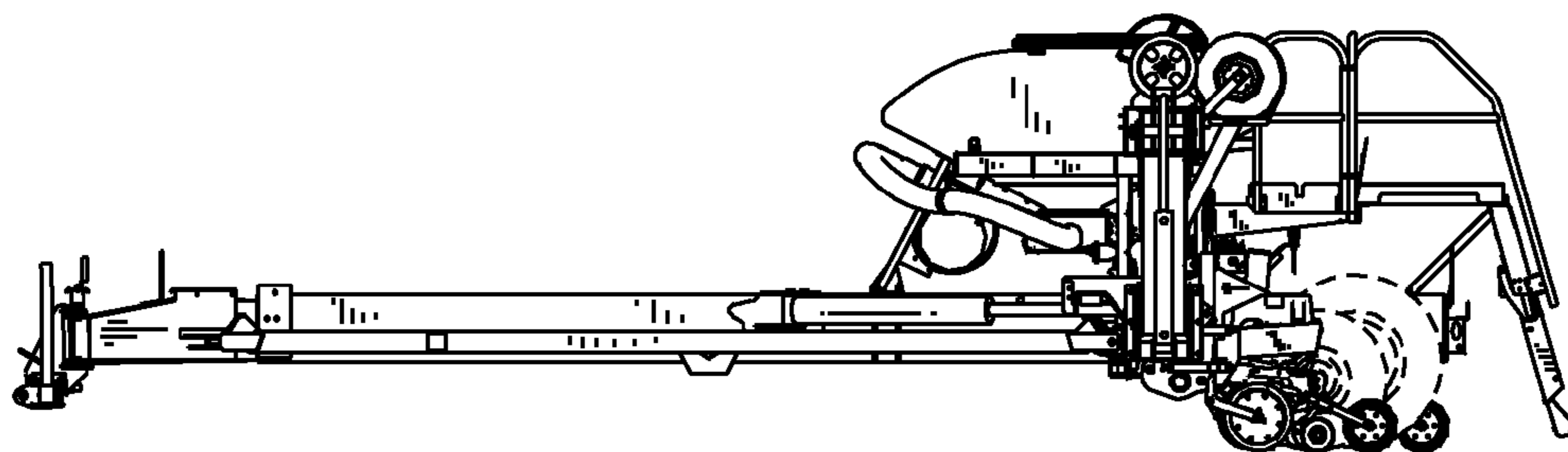


FIG. 6

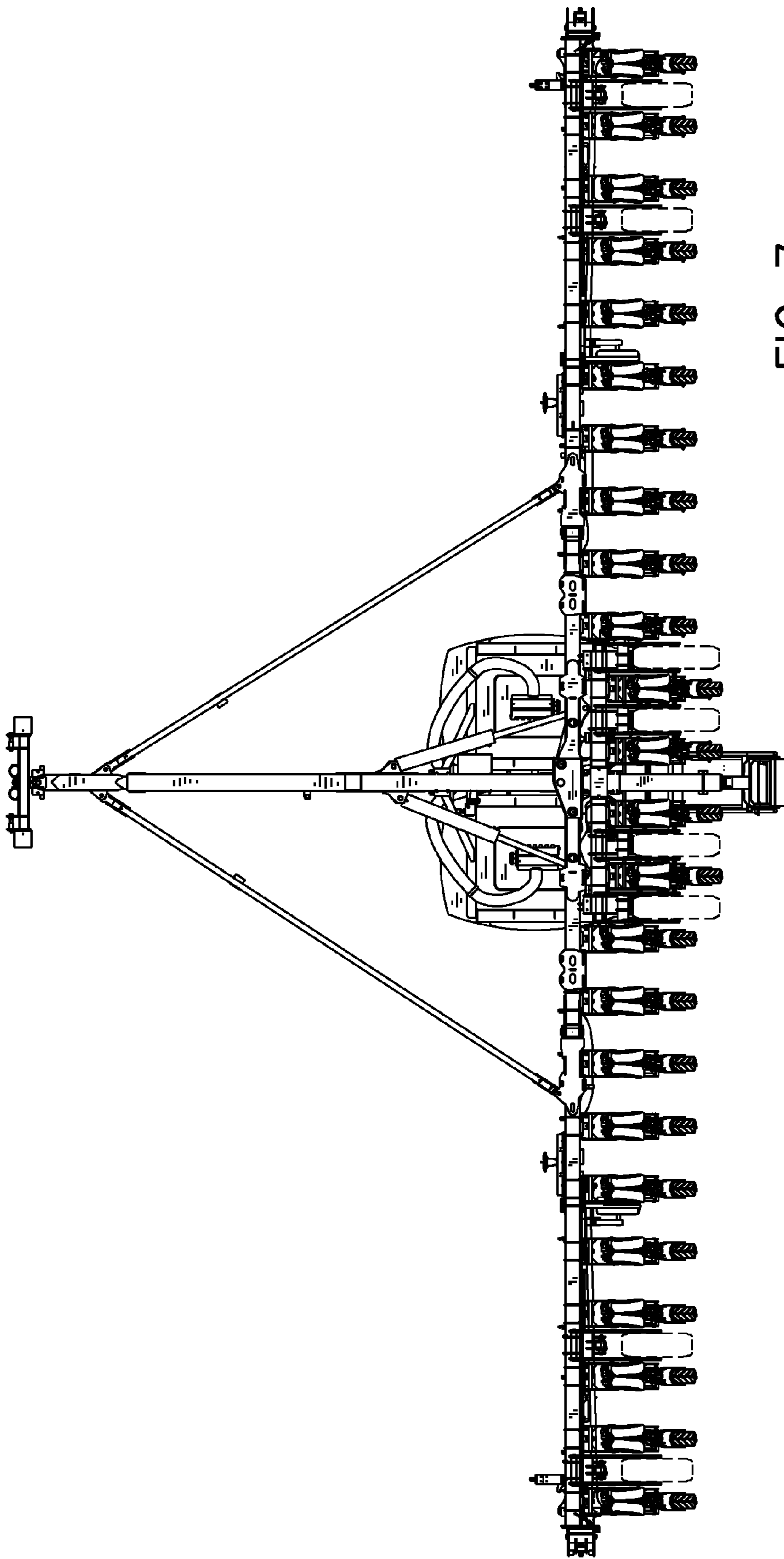


FIG. 7

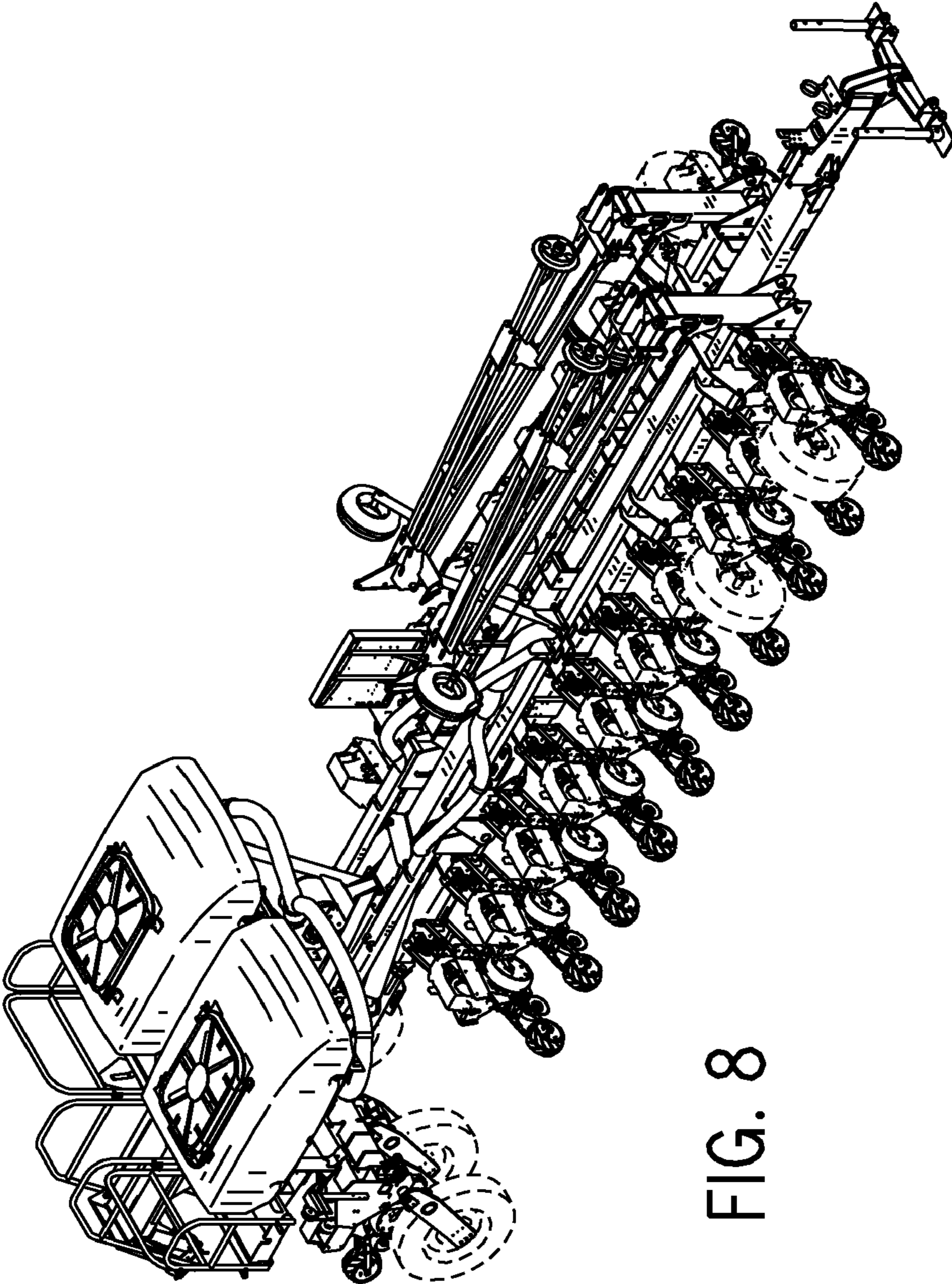


FIG. 8