



US00D559867S

(12) **United States Design Patent**  
**Abramson**

(10) **Patent No.:** **US D559,867 S**  
(45) **Date of Patent:** **\*\* Jan. 15, 2008**

(54) **ROBOTIC LAWNMOWER**

(75) Inventor: **Shai Abramson, Har-Halutz (IL)**

(73) Assignee: **F Robotics Acquisitions Ltd., Kadima (IL)**

(\*\*) Term: **14 Years**

(21) Appl. No.: **29/278,037**

(22) Filed: **Mar. 16, 2007**

(51) **LOC (8) Cl.** ..... **15-03**

(52) **U.S. Cl.** ..... **D15/14; D15/199**

(58) **Field of Classification Search** ..... D15/14,  
D15/17, 18, 199; D32/21; 56/11.9, 12.8,  
56/13.4, 16.7, 202, 255, 294, 295, 320.1,  
56/320.2; 180/89.1, 89.12, 900  
See application file for complete search history.

(56) **References Cited**

**U.S. PATENT DOCUMENTS**

D416,362 S \* 11/1999 Lin ..... D32/21  
D420,365 S \* 2/2000 Gunnar ..... D15/14  
D446,363 S \* 8/2001 Sato et al. .... D32/21  
D451,931 S \* 12/2001 Abramson et al. .... D15/14  
6,443,509 B1 \* 9/2002 Levin et al. .... 293/4

D499,219 S \* 11/2004 Collins ..... D32/21  
D504,901 S \* 5/2005 Wickstrom et al. .... D15/14  
D521,696 S \* 5/2006 Choi ..... D32/21  
2004/0187457 A1 \* 9/2004 Colens ..... 56/1

\* cited by examiner

*Primary Examiner*—Gary D. Watson

*Assistant Examiner*—Patricia Palasik

(74) *Attorney, Agent, or Firm*—Lathrop & Gage LC

(57) **CLAIM**

The ornamental design for a robotic lawnmower, as shown and described.

**DESCRIPTION**

FIG. 1 is a perspective view of a robotic lawnmower, showing the new design;

FIG. 2 is a top view thereof;

FIG. 3 is a right side view thereof;

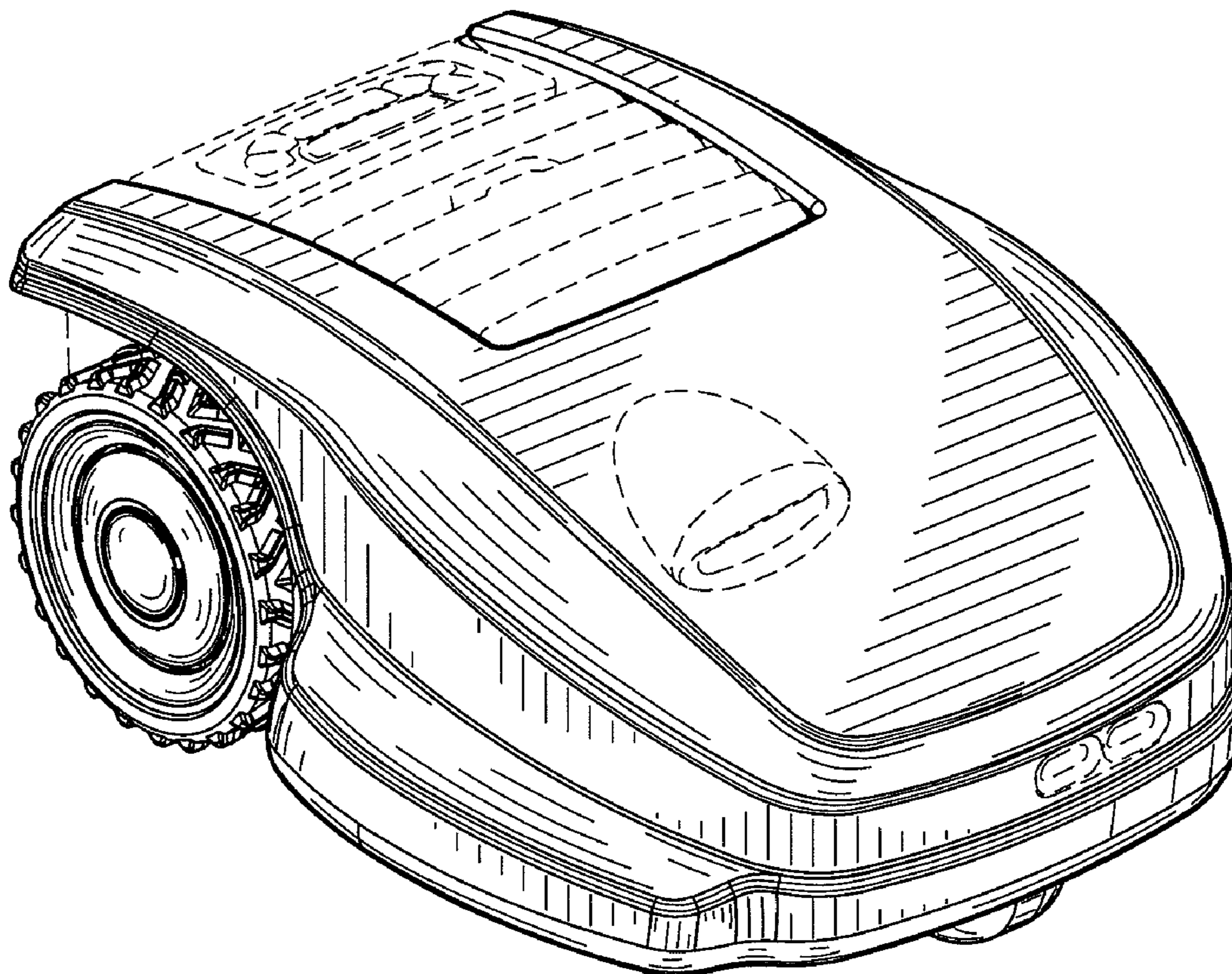
FIG. 4 is a front view thereof;

FIG. 5 is a back view thereof;

FIG. 6 is a left side view thereof; and,

FIG. 7 is a bottom view thereof.

**1 Claim, 4 Drawing Sheets**



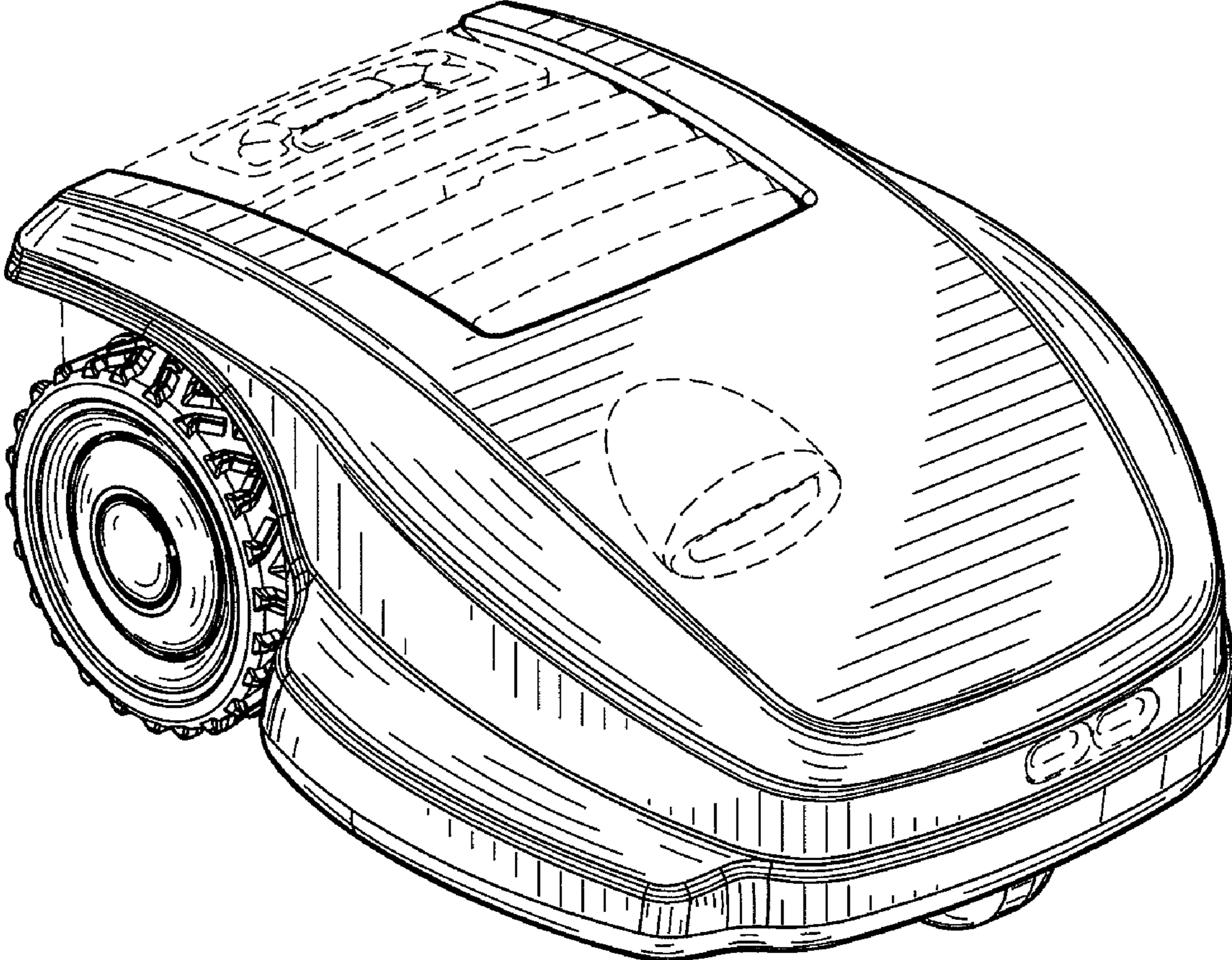


FIG.1

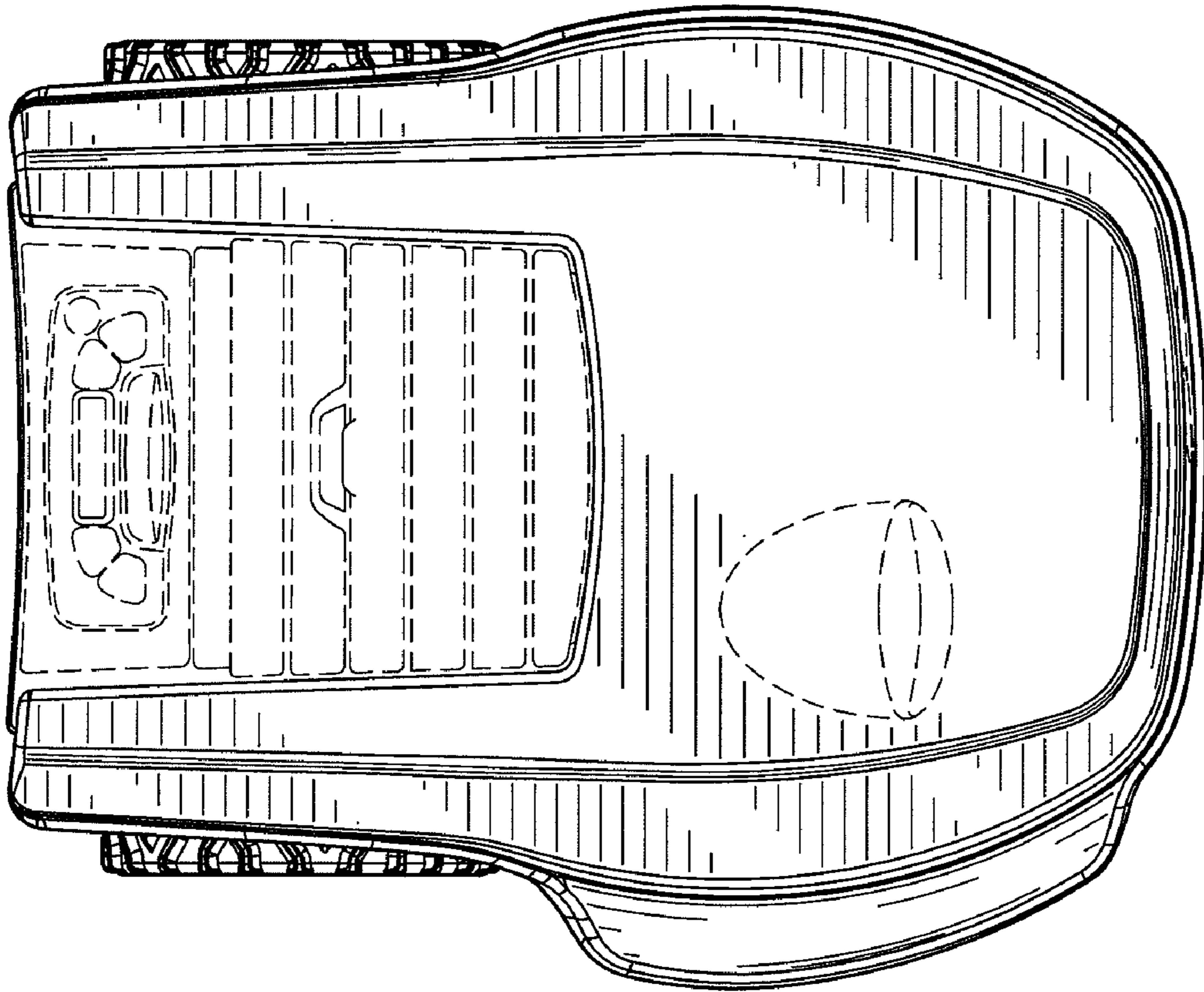


FIG. 2

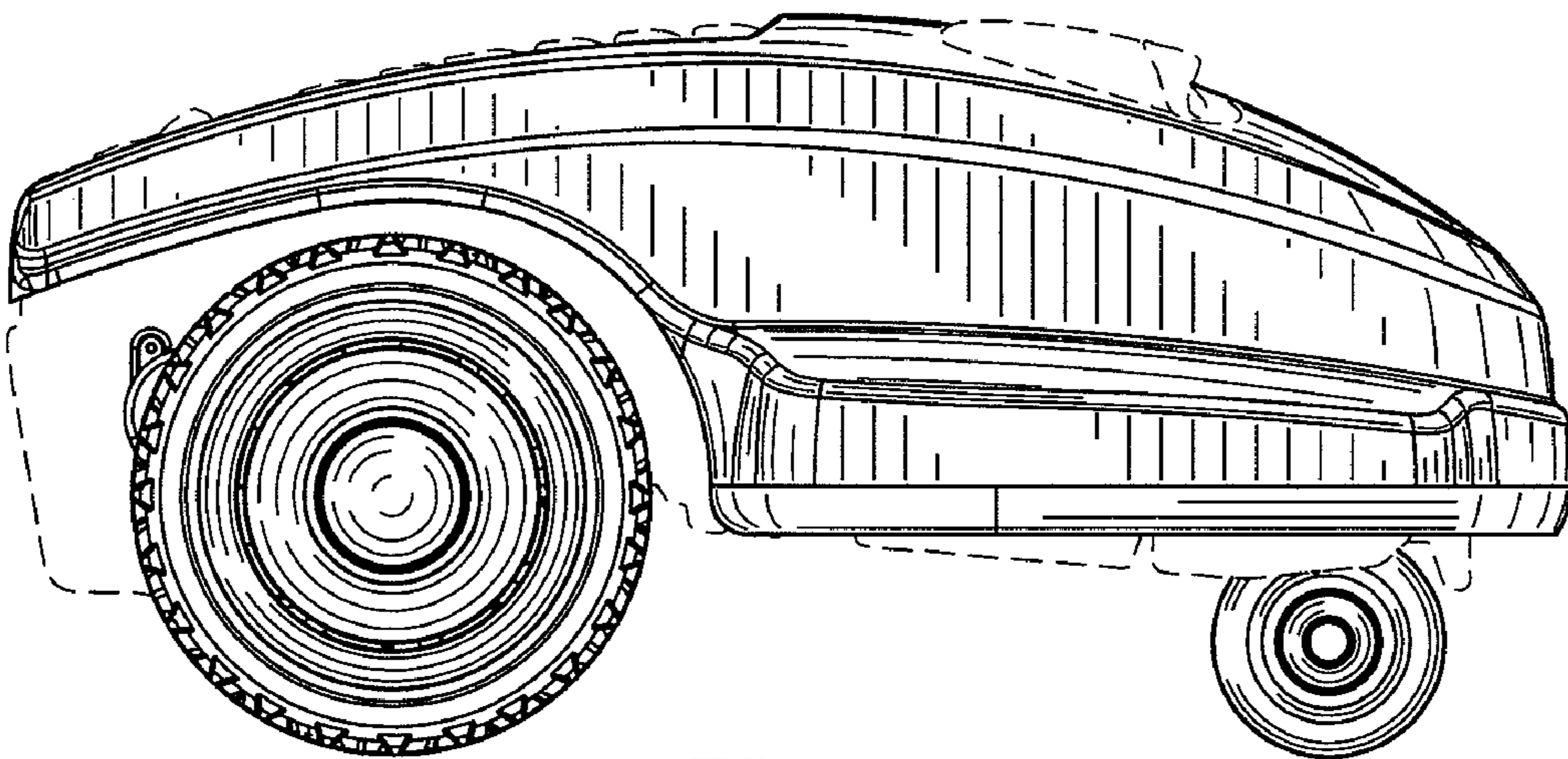


FIG. 3

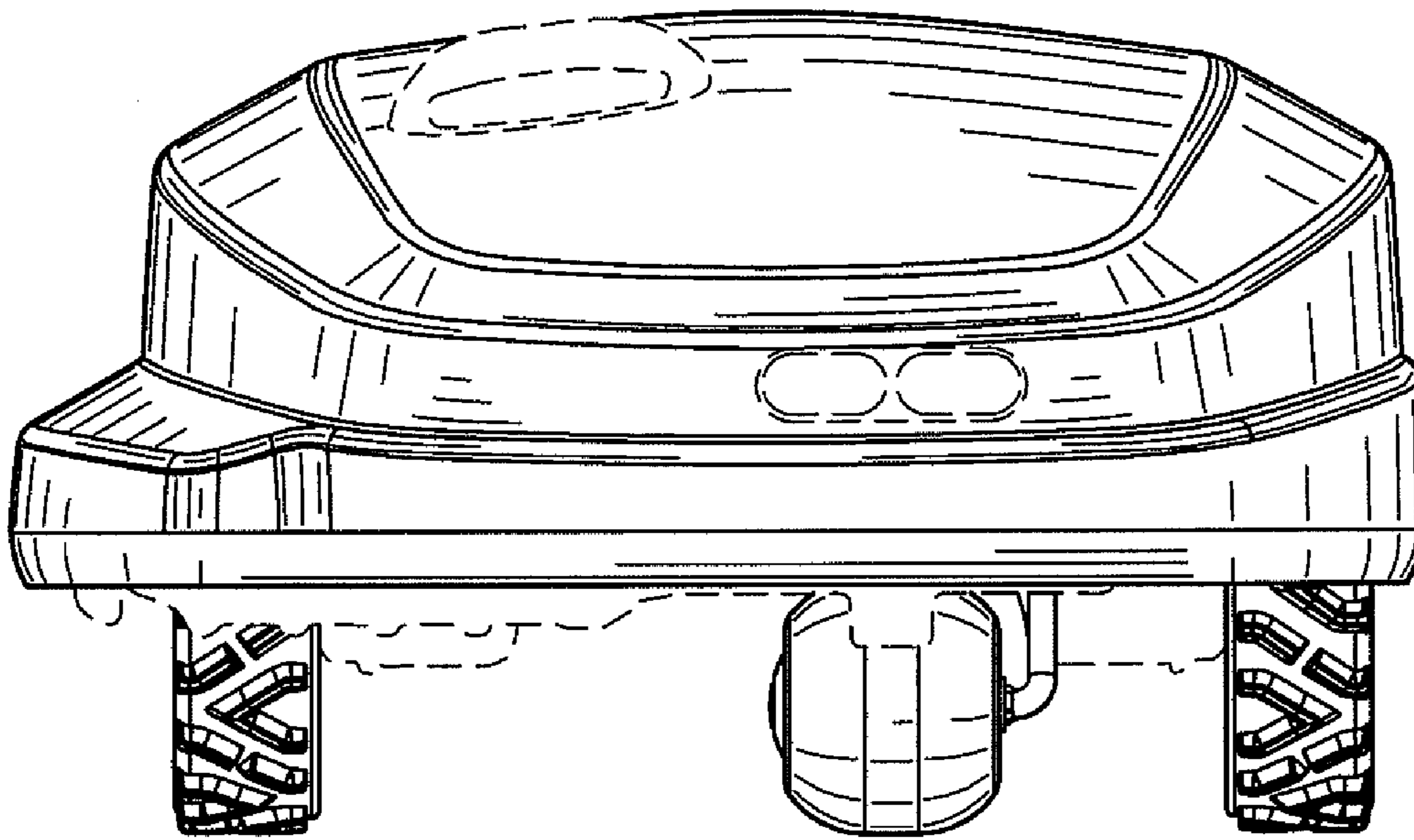


FIG. 4

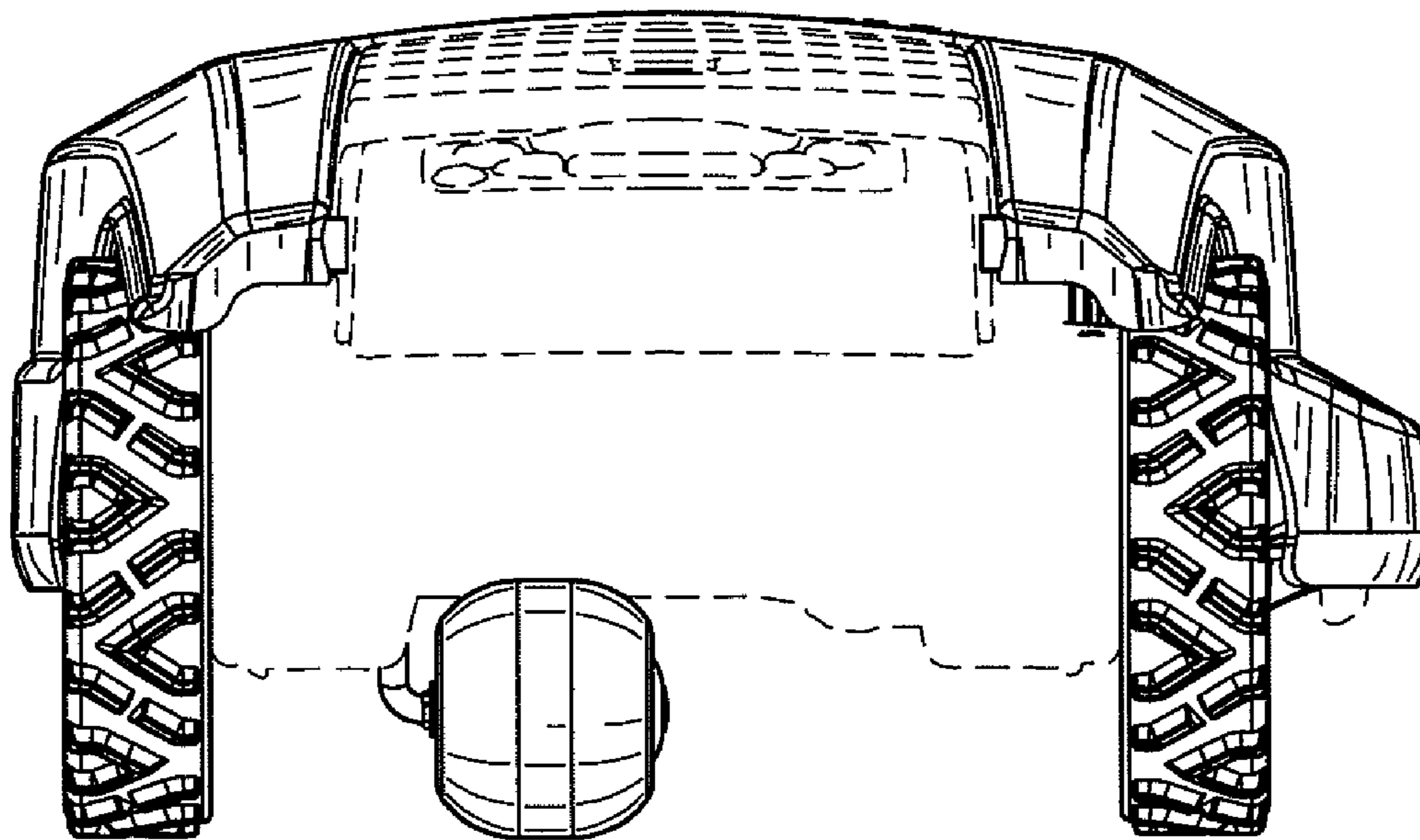


FIG. 5

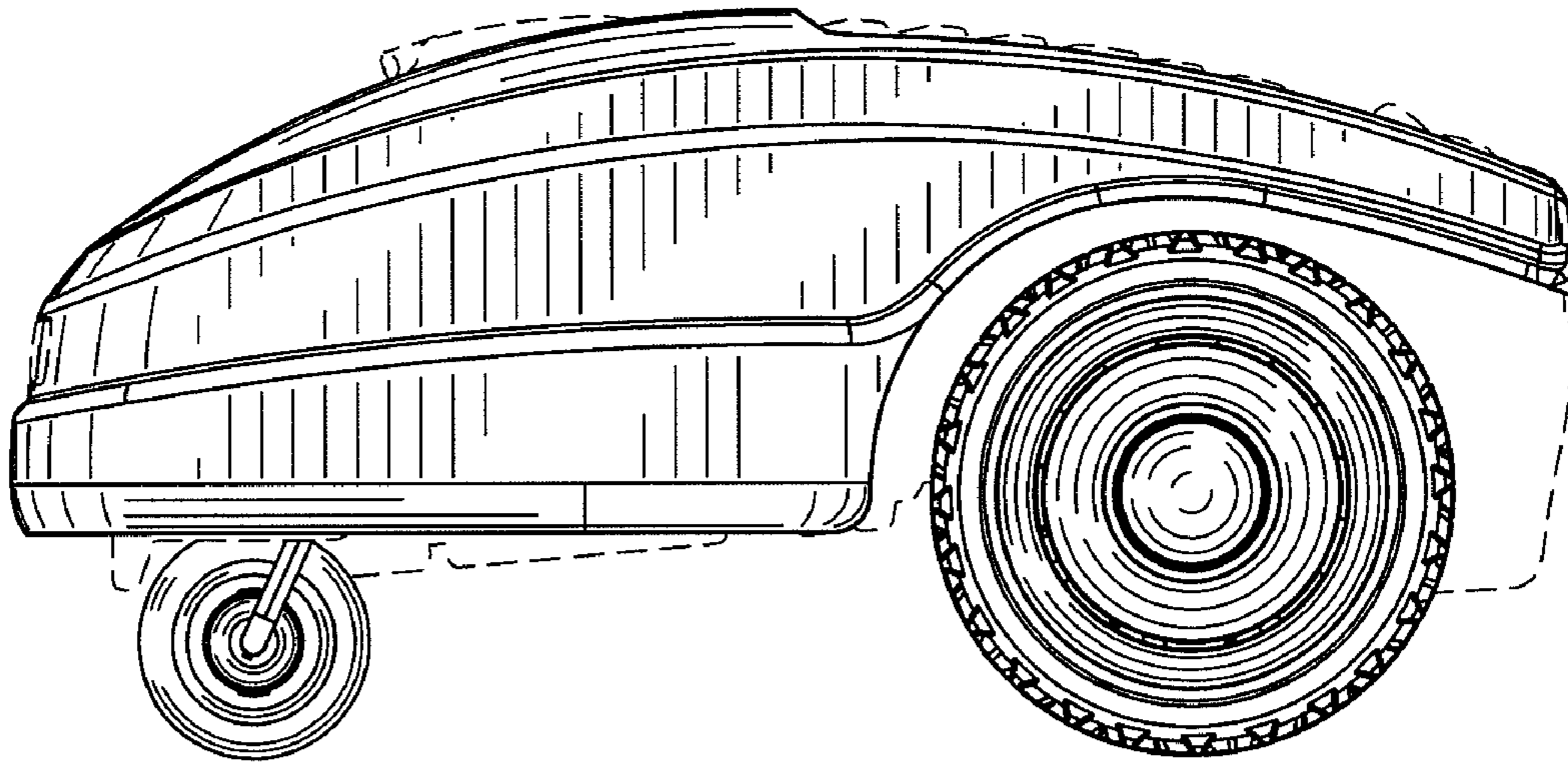


FIG. 6

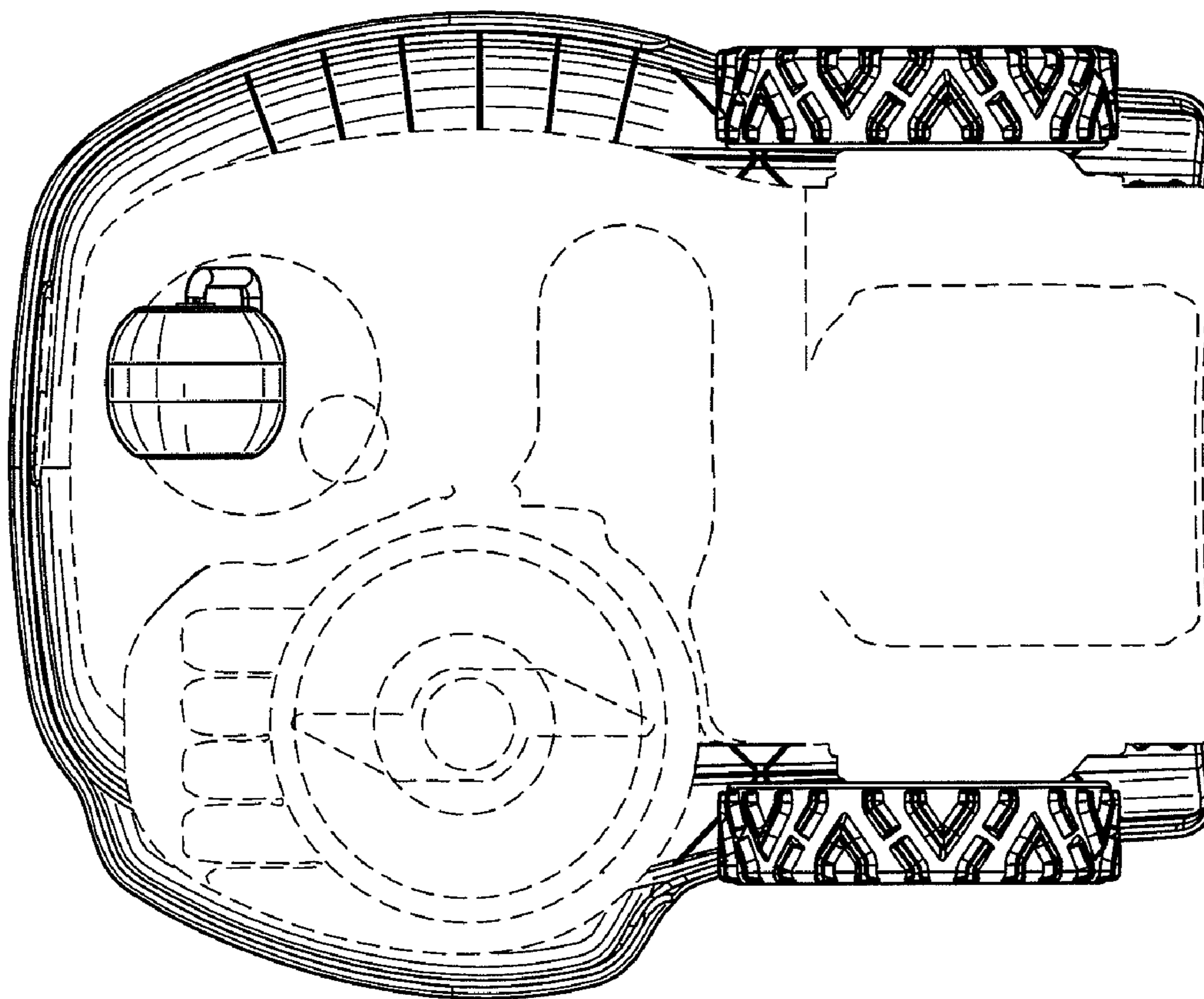


FIG. 7