



US00D559865S

(12) **United States Design Patent**
Wise

(10) **Patent No.:** **US D559,865 S**

(45) **Date of Patent:** **** Jan. 15, 2008**

(54) **JUMP START/TIRE INFLATOR**

D531,191 S * 10/2006 Smith et al. D15/9

(75) Inventor: **Robert Wise**, 365 Ely Rd., Petaluma,
CA (US) 94954

* cited by examiner

Primary Examiner—Ralf Seifert

(73) Assignee: **Robert Wise**, Petaluma, CA (US)

(74) *Attorney, Agent, or Firm*—Michael A. Glenn; Glenn
Patent Group

(**) Term: **14 Years**

(57) **CLAIM**

(21) Appl. No.: **29/248,442**

The ornamental design of a jump start/tire inflator, as shown
and described.

(22) Filed: **Aug. 16, 2006**

(51) **LOC (8) Cl.** **15-02**

(52) **U.S. Cl.** **D15/7**

(58) **Field of Classification Search** D15/7-9;
D23/232, 231; 417/359, 415-416, 410.1,
417/321, 265, 405; D13/107, 108

See application file for complete search history.

DESCRIPTION

FIG. 1 is a front view of an ornamental design for a jump
start/tire inflator;

FIG. 2 a rear view of an ornamental design for a jump
start/tire inflator;

FIG. 3 is a right side view of an ornamental design for a
jump start/tire inflator, the left side being a mirror image
thereof; and,

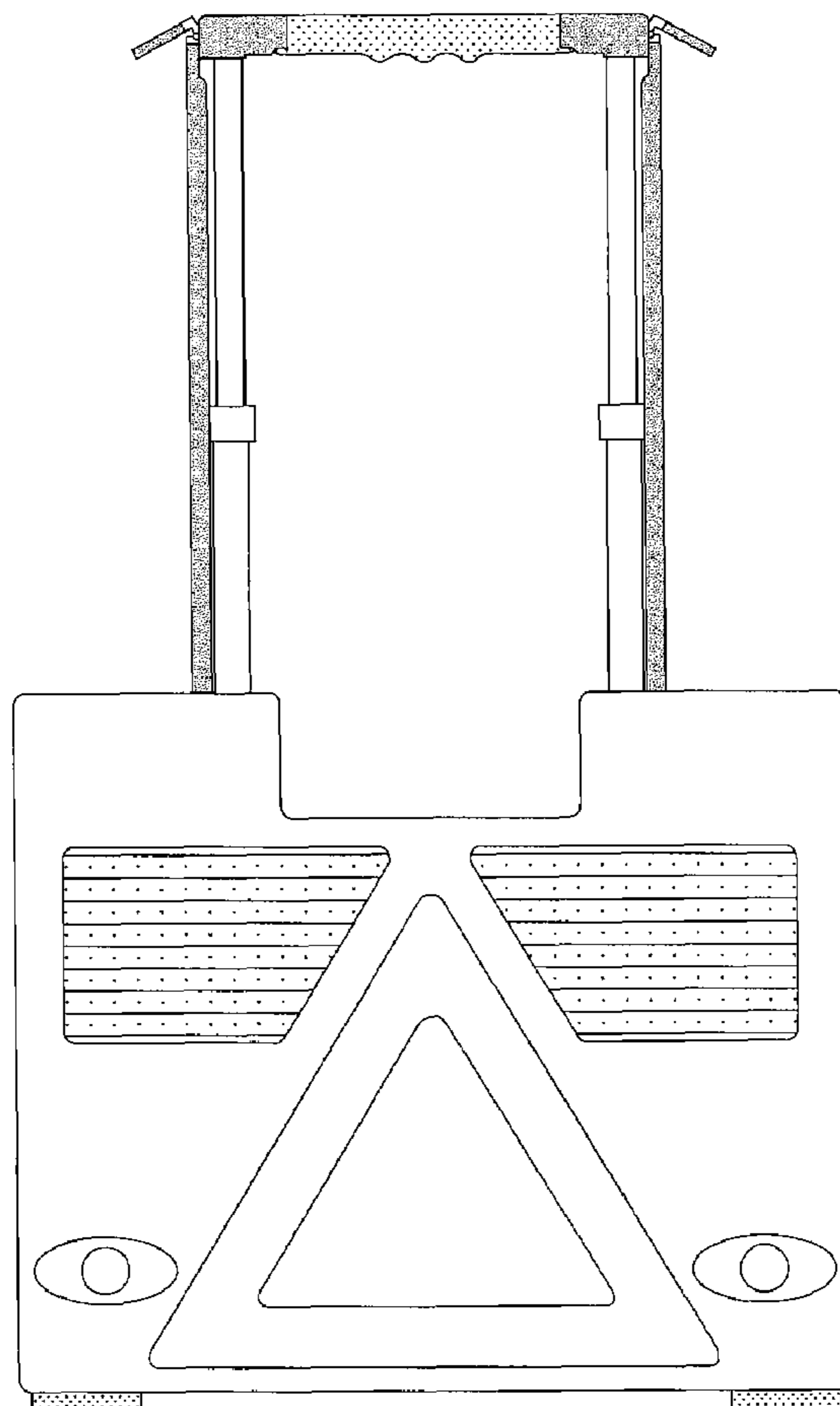
FIG. 4 is a front view of an ornamental design for a jump
start/tire inflator showing a handle in an elevated configu-
ration;

(56) **References Cited**

U.S. PATENT DOCUMENTS

- D423,518 S * 4/2000 Milligan et al. D15/9
- D480,402 S * 10/2003 Wilson et al. D15/7
- D484,852 S * 1/2004 James et al. D13/107
- D488,169 S * 4/2004 Hopper D15/9

1 Claim, 4 Drawing Sheets



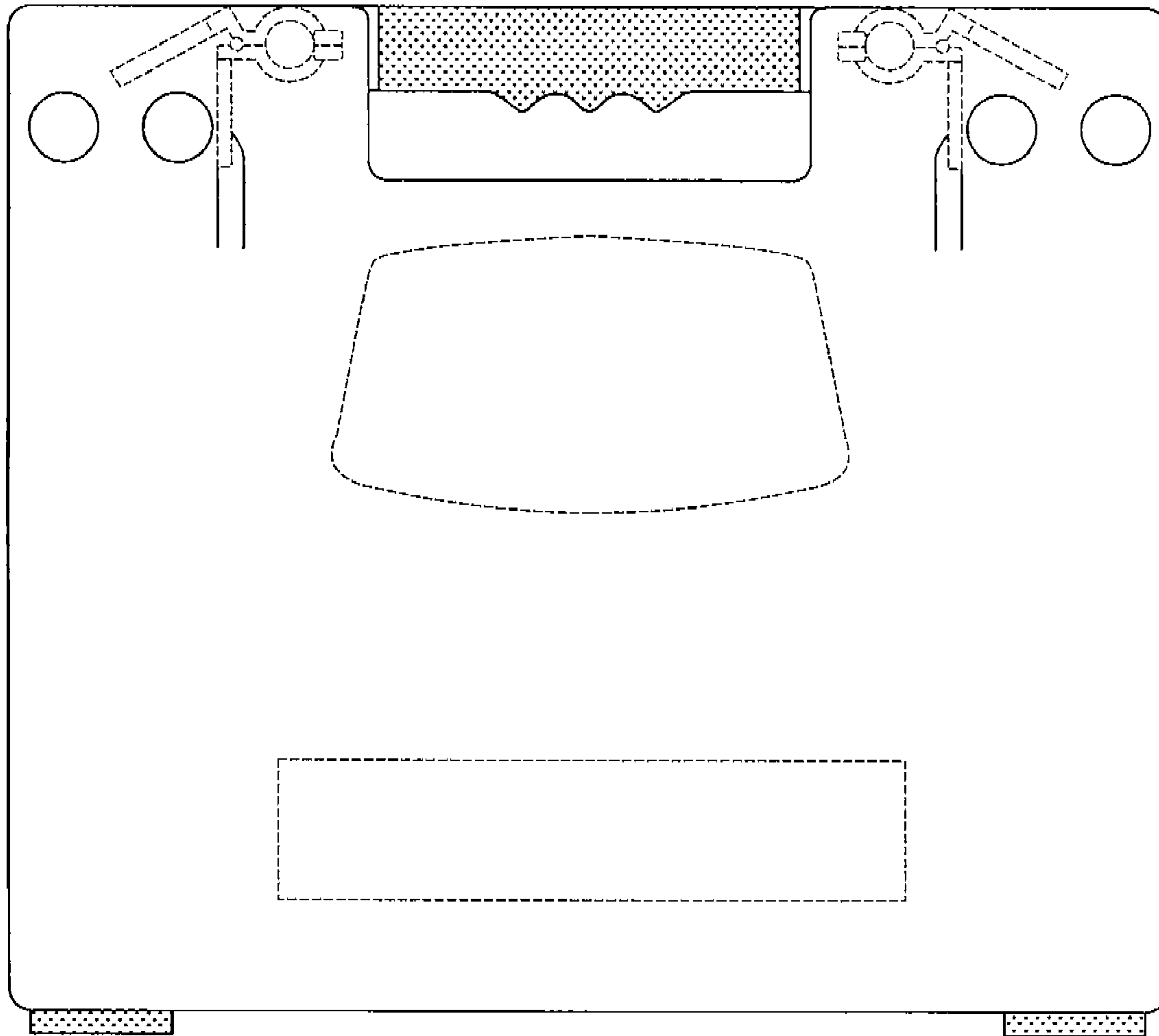


FIG. 1

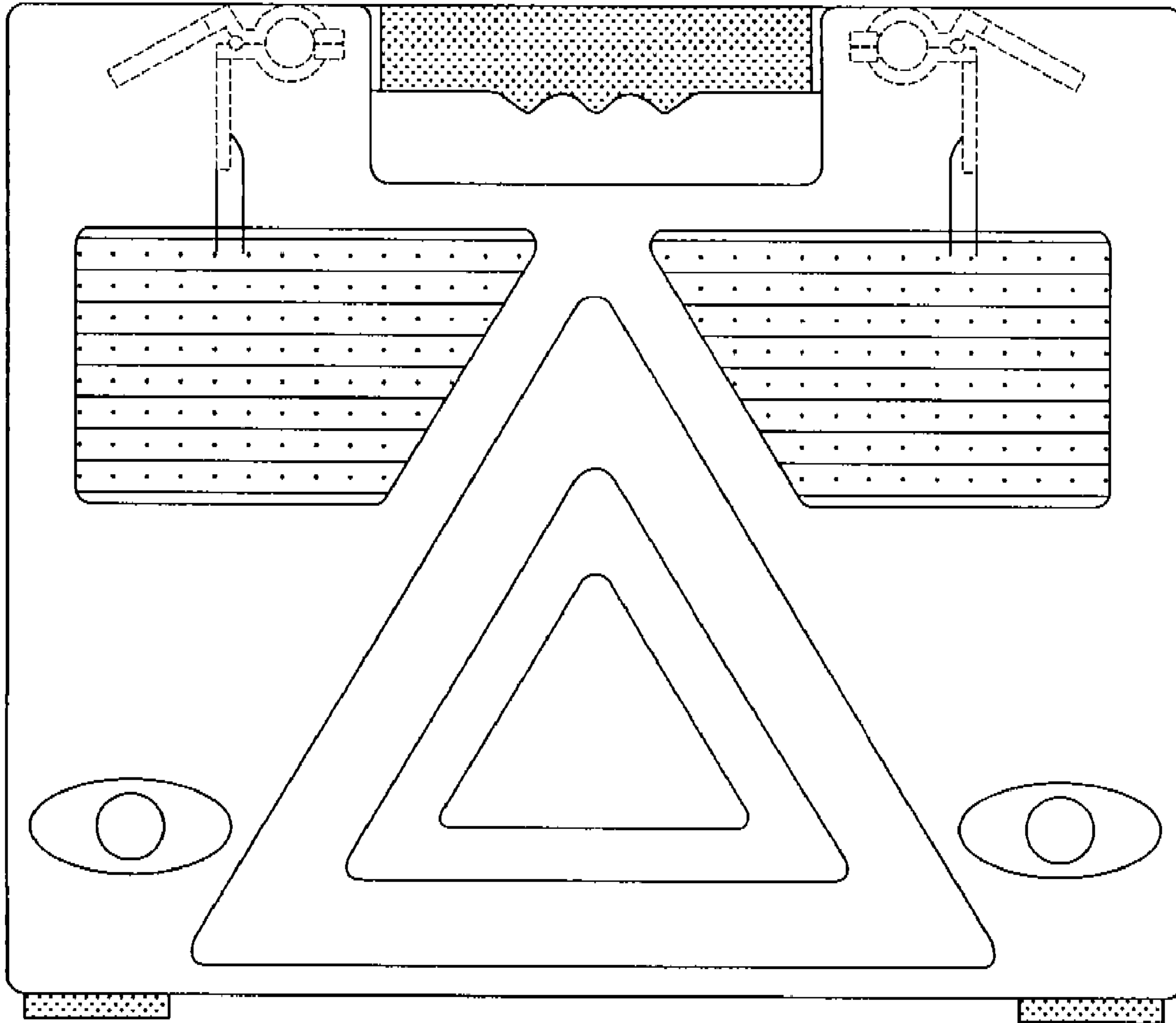


FIG. 2

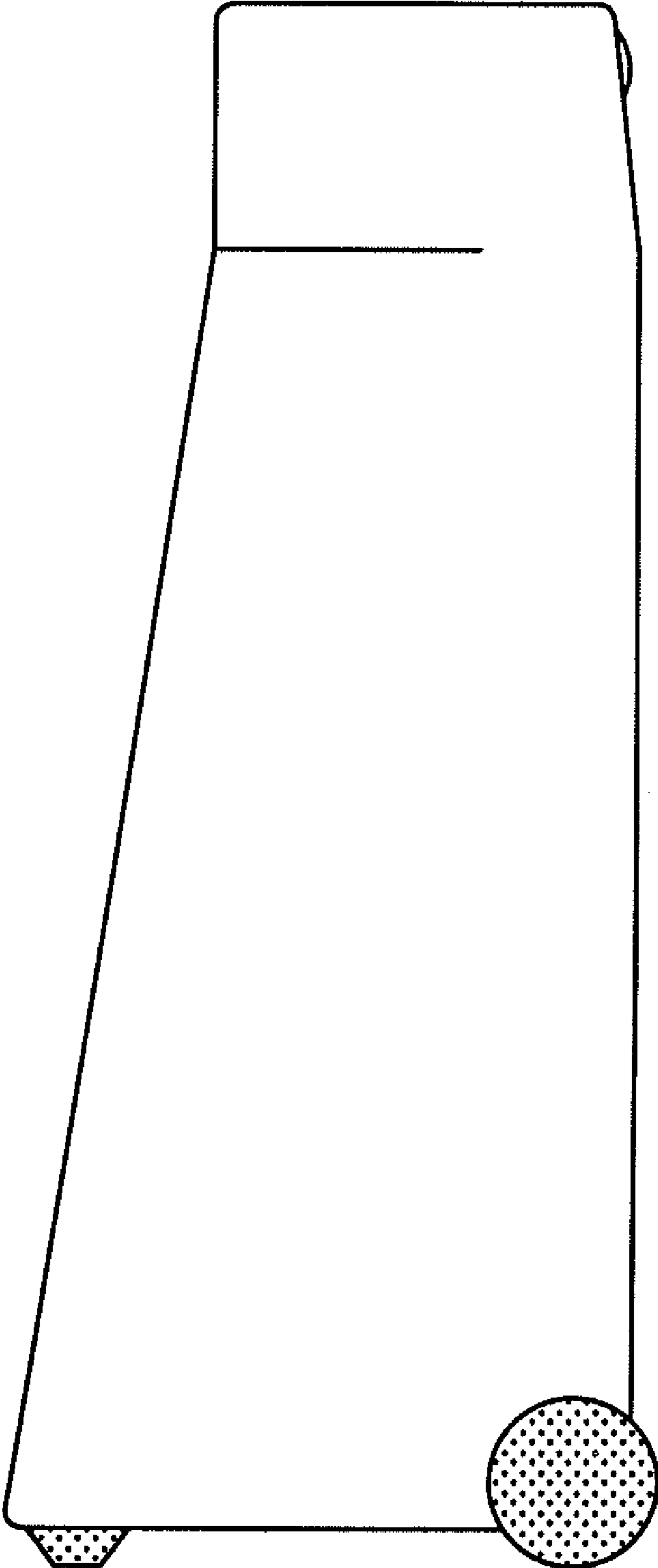


FIG. 3

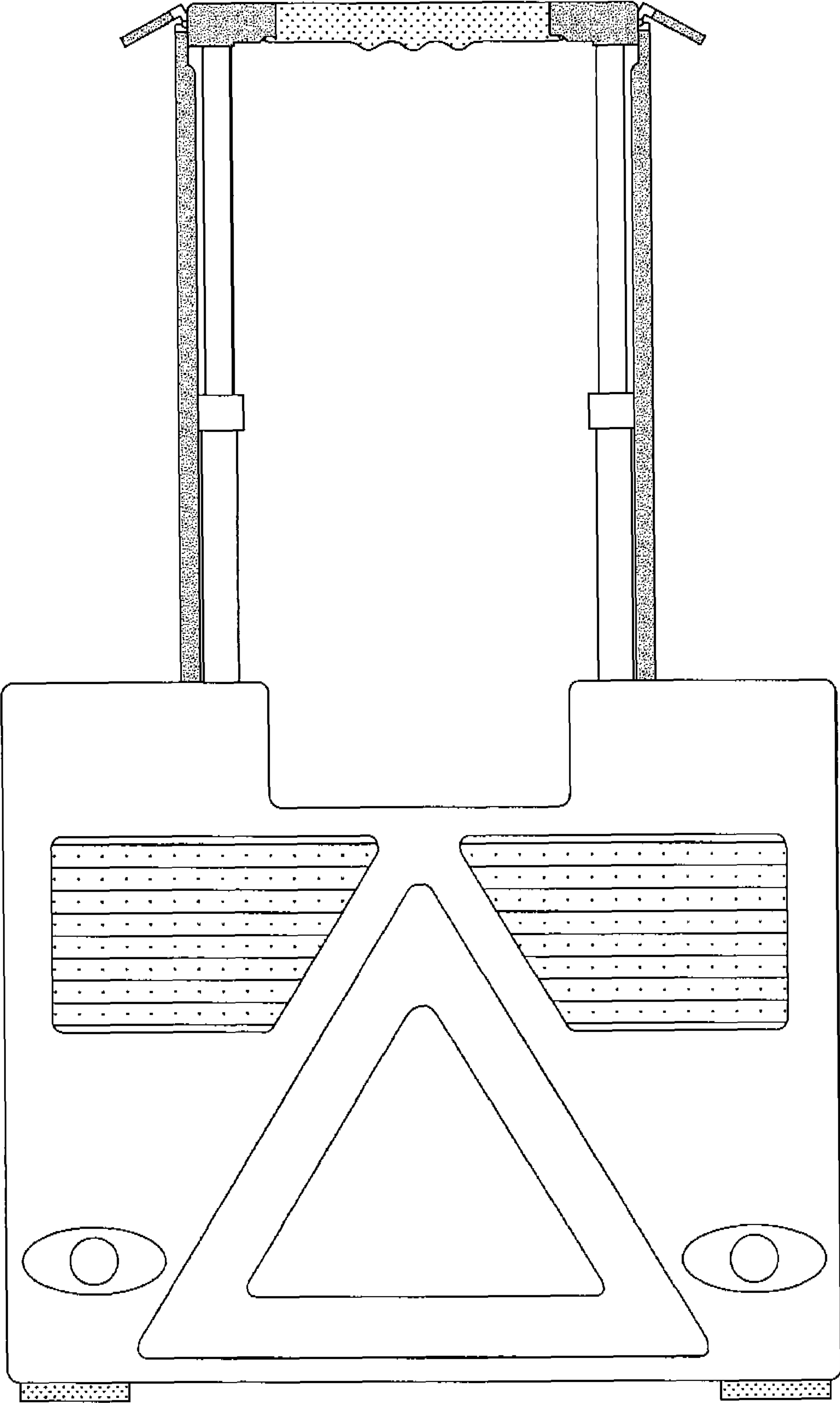


FIG. 4