



US00D559864S

(12) **United States Design Patent**
Fretwell

(10) **Patent No.:** **US D559,864 S**
(45) **Date of Patent:** **** Jan. 15, 2008**

(54) **FILL CAP SET AND COMPUTER MODULE COVER FOR A MOTORBOAT ENGINE**

(76) Inventor: **Paul Fretwell**, 65 Myrtle Dr., Oroville, CA (US) 95966

(**) Term: **14 Years**

(21) Appl. No.: **29/243,939**

(22) Filed: **Nov. 30, 2005**

(51) **LOC (8) Cl.** **15-01**

(52) **U.S. Cl.** **D15/4**

(58) **Field of Classification Search** D15/4,
D15/5; D8/349, 354, 371; D9/454, 503;
D7/392, 391.1

See application file for complete search history.

(56) **References Cited**

U.S. PATENT DOCUMENTS

D391,264 S *	2/1998	Johansson	D14/253
D402,534 S *	12/1998	McCoy et al.	D8/354
D420,274 S *	2/2000	Lappin et al.	D8/354
D458,111 S *	6/2002	Petri	D8/349
D485,485 S *	1/2004	Loken et al.	D8/349
D512,914 S *	12/2005	Moretti	D9/454

* cited by examiner

Primary Examiner—Ian Simmons

Assistant Examiner—Maurice Stevens

(74) *Attorney, Agent, or Firm*—Gordon & Rees, LLP

(57) **CLAIM**

The ornamental design for a fill cap set and computer module cover for a motorboat engine, as shown and described.

DESCRIPTION

FIG. 1 is a perspective view of the fill cap set and computer module cover for a motorboat engine as positioned on a motorboat engine (the motorboat engine being shown in dotted lines).

FIG. 2 is a top plan view of the fill cap set and computer module cover for a motorboat engine.

FIG. 3 is a bottom plan view of the fill cap set and computer module cover for a motorboat engine.

FIG. 4 is a front elevation view of the fill cap set and computer module cover for a motorboat engine.

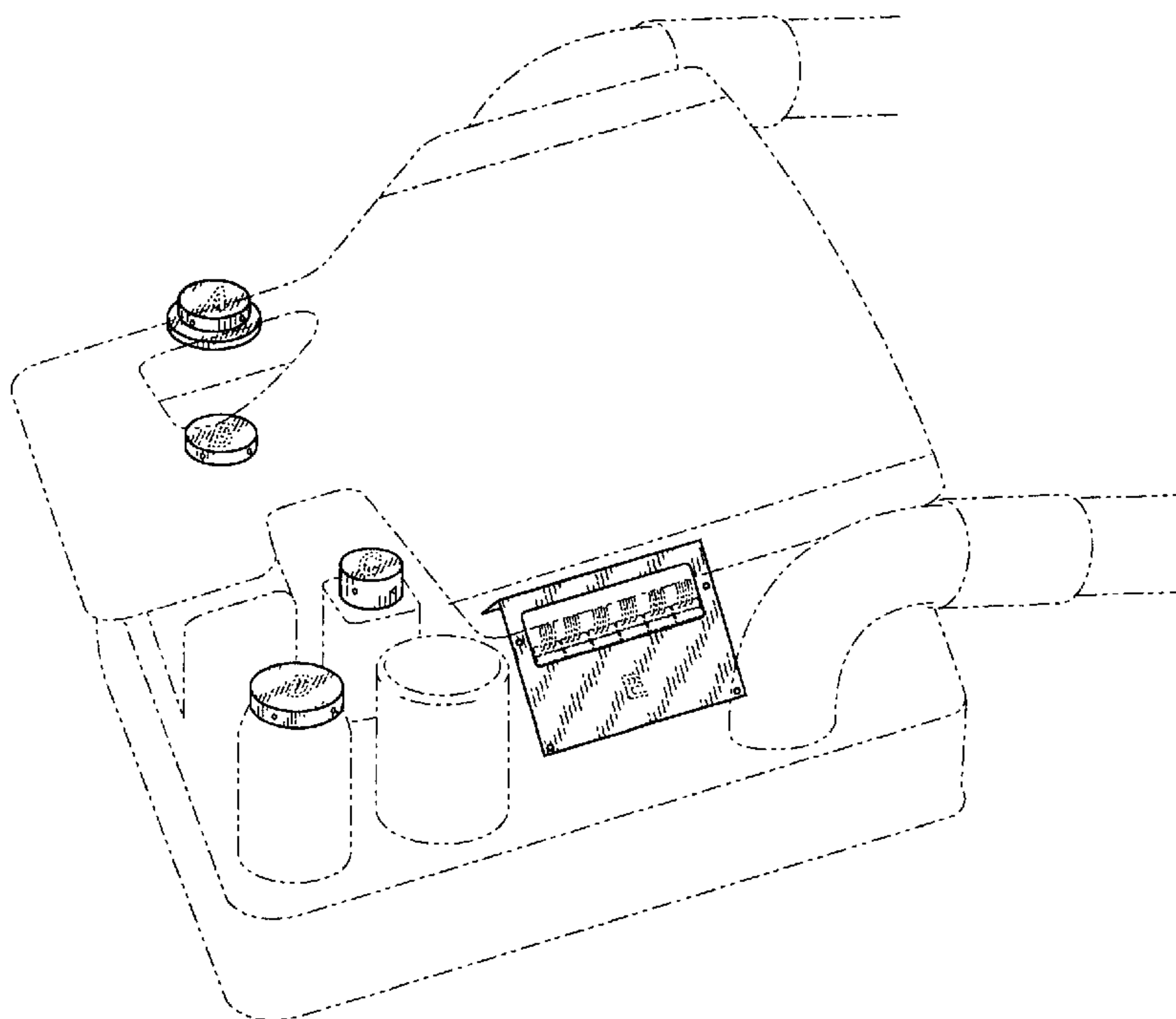
FIG. 5 is a back elevation view of the fill cap set and computer module cover for a motorboat engine.

FIG. 6 is a left side elevation view of the fill cap set and computer module cover for a motorboat engine; and,

FIG. 7 is a right side elevation view of the fill cap set and computer module cover for a motorboat engine.

The broken line showing is for illustrative purposes only and forms no part of the claimed design. In addition, broken line lettering has been placed on each of the fill caps and the computer module cover to identify the individual fill caps and computer module cover throughout the figures. This broken line lettering is for illustrative purposes only and forms no part of the claimed design.

1 Claim, 7 Drawing Sheets



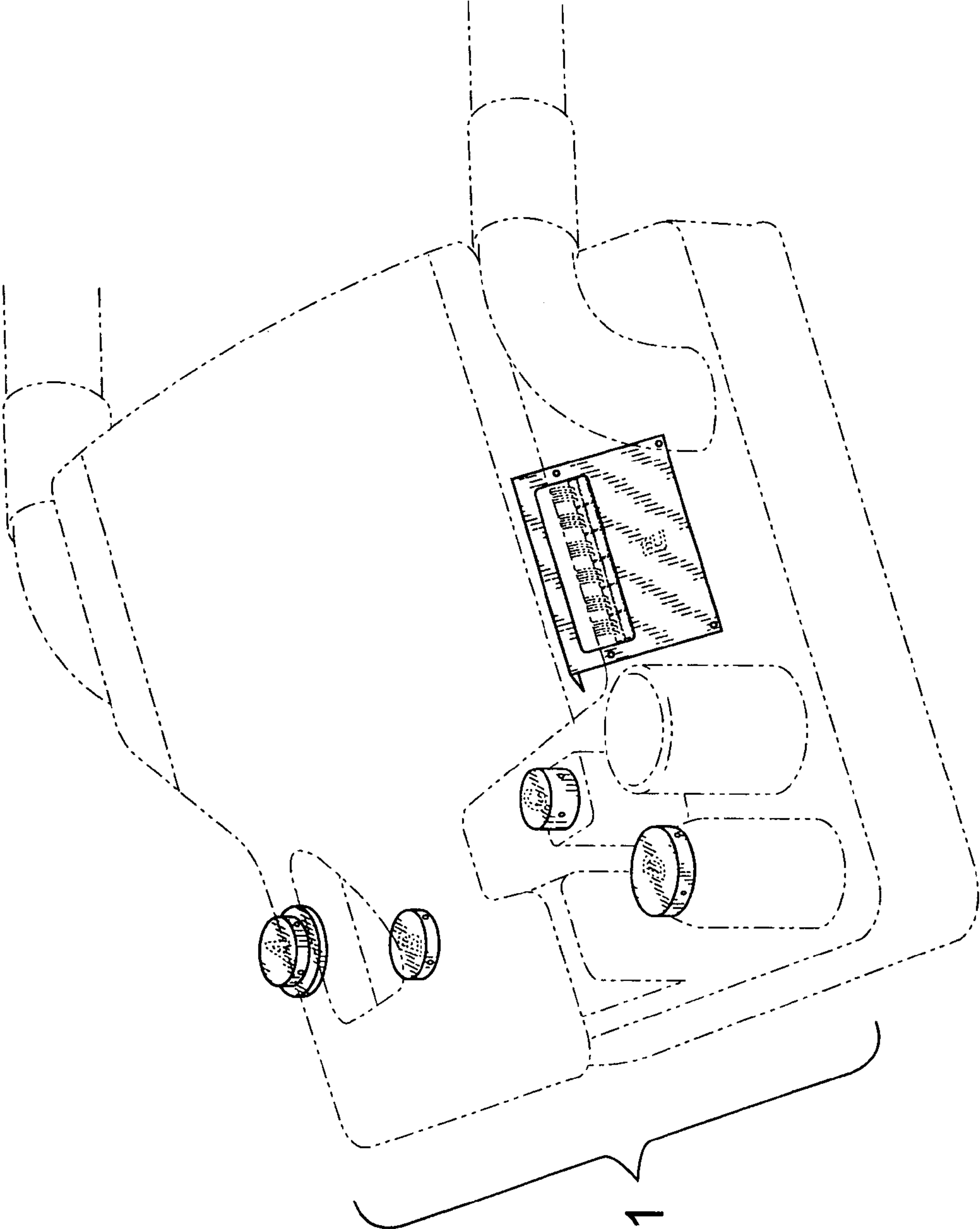


FIG. 1

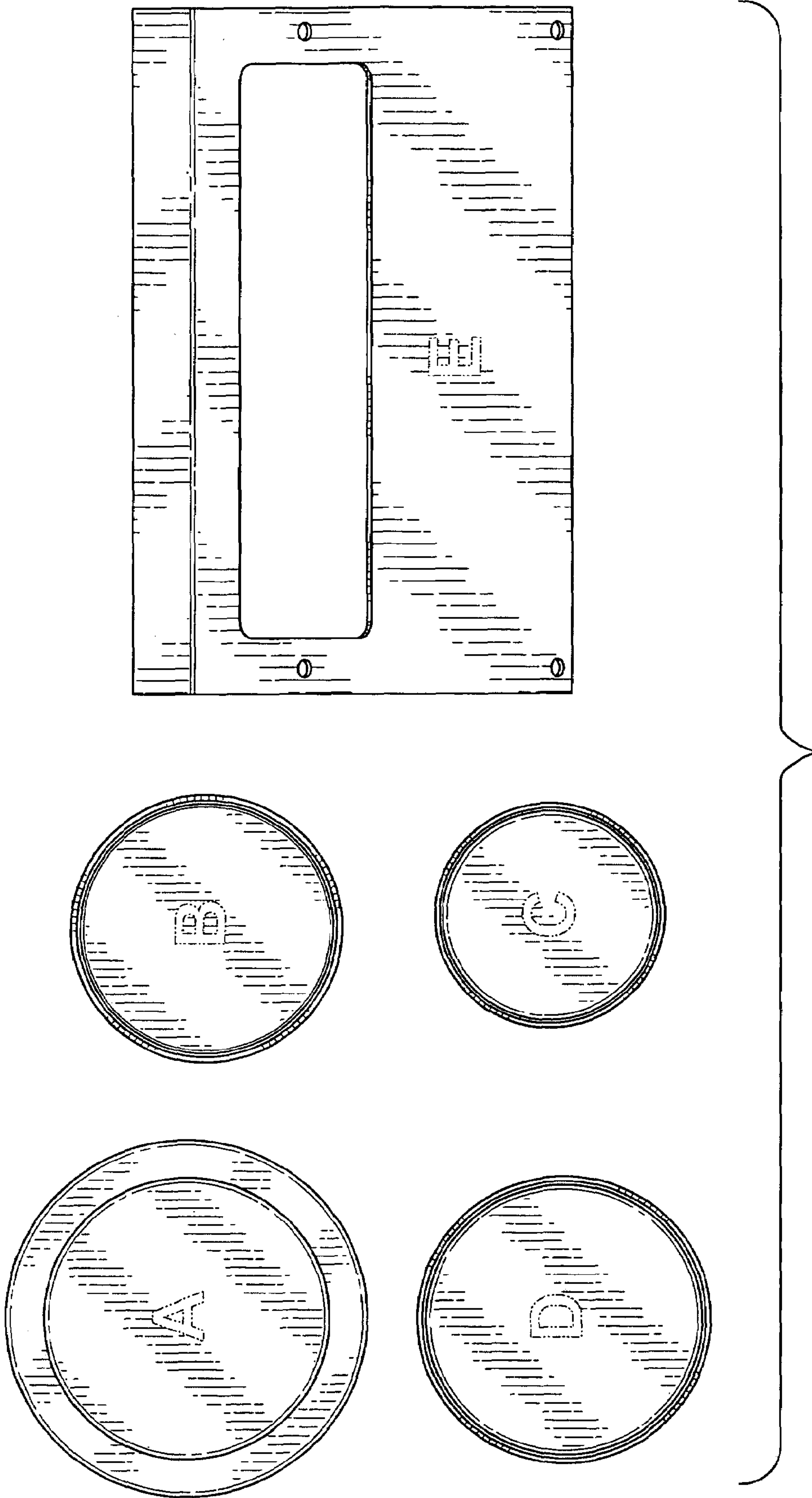


FIG. 2

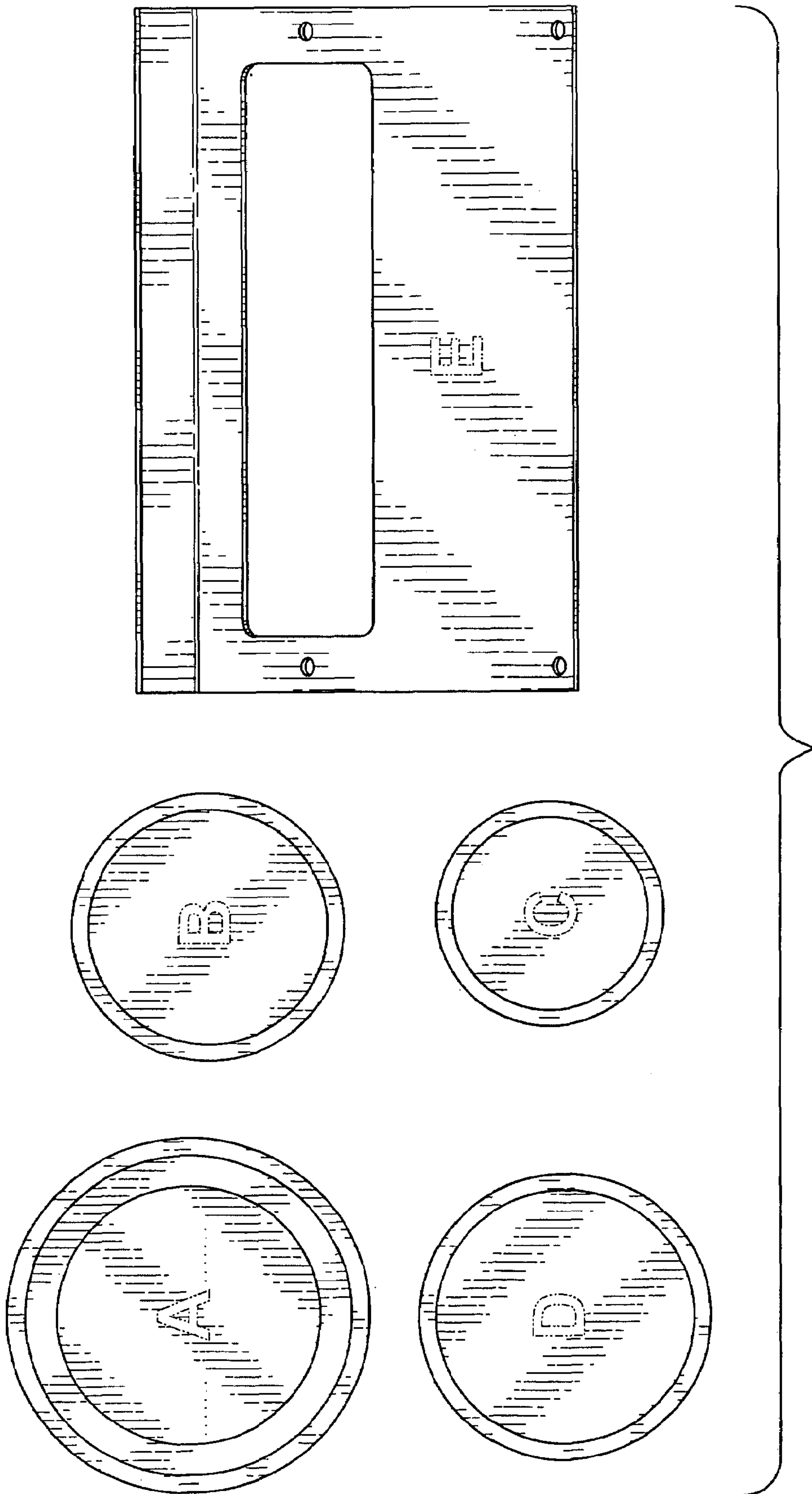


FIG. 3

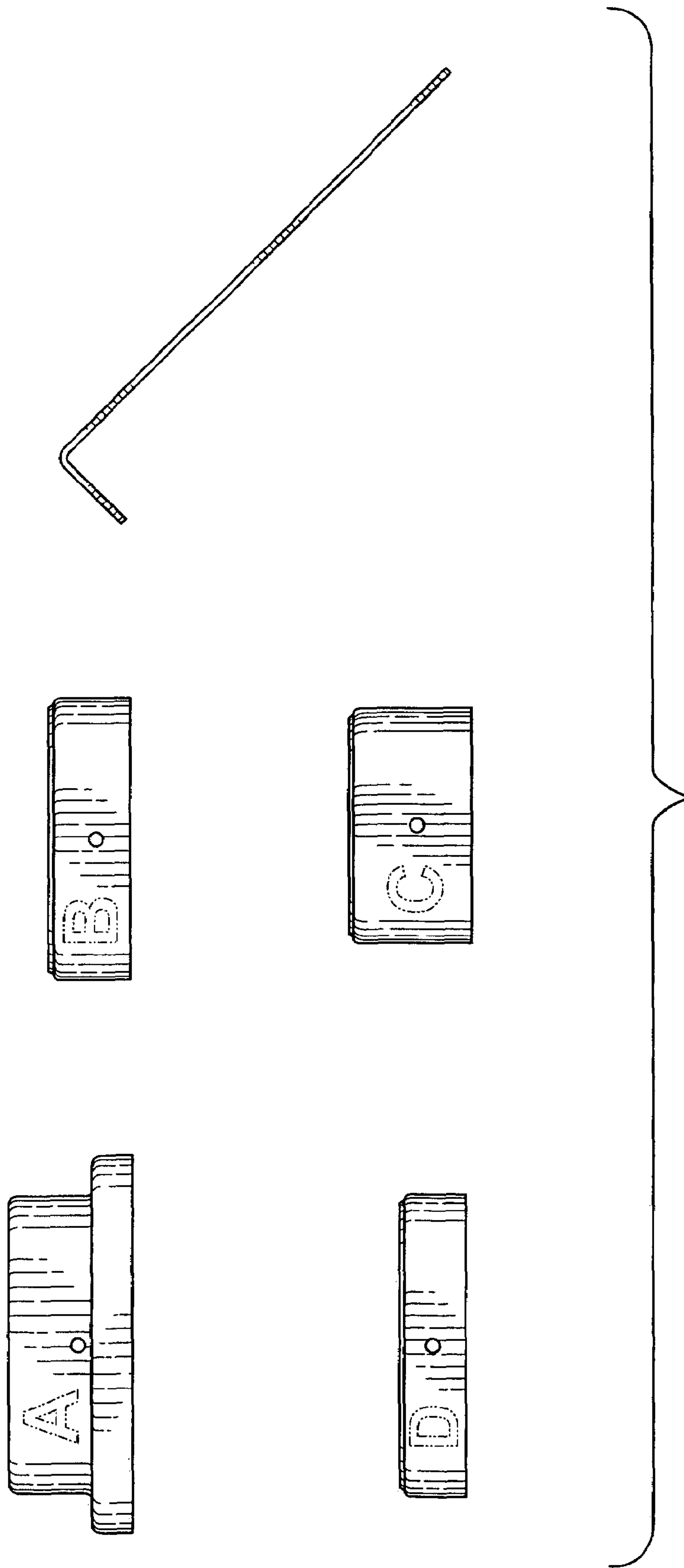
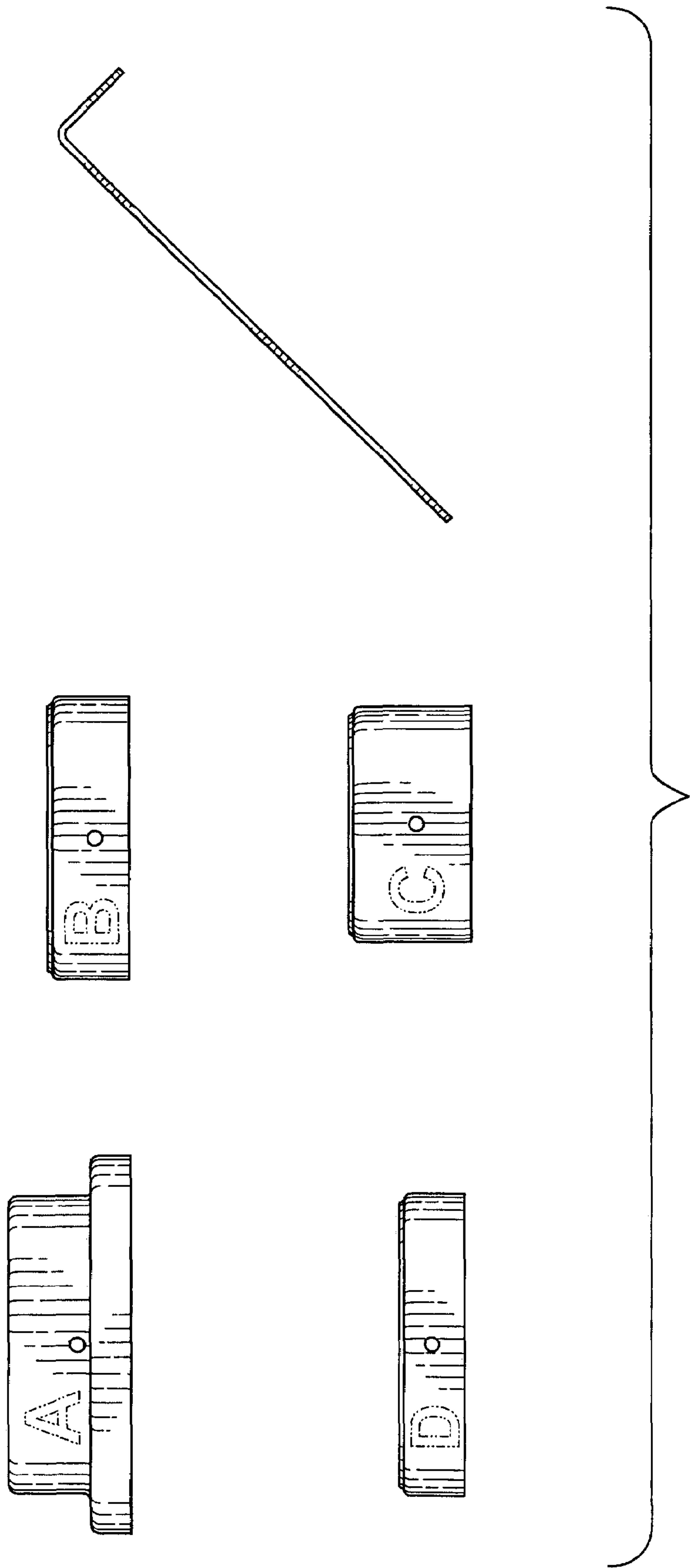


FIG. 4



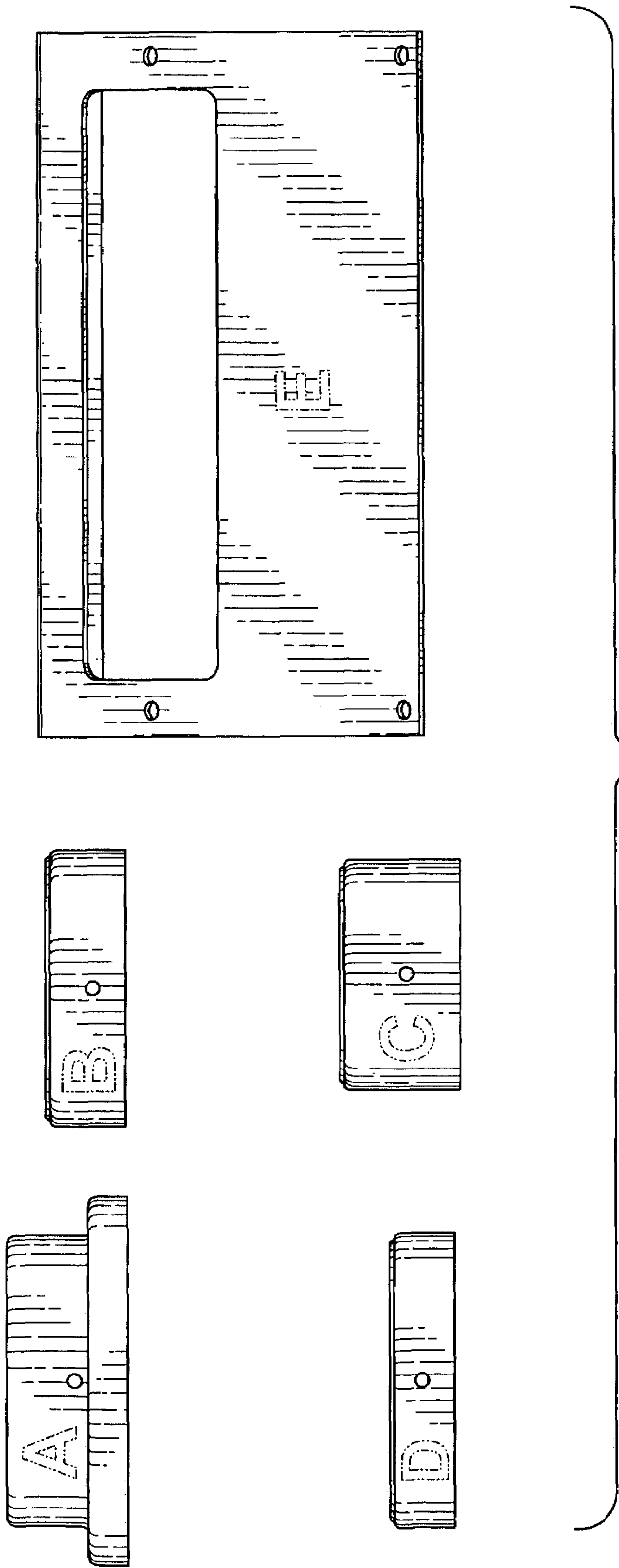


FIG. 6

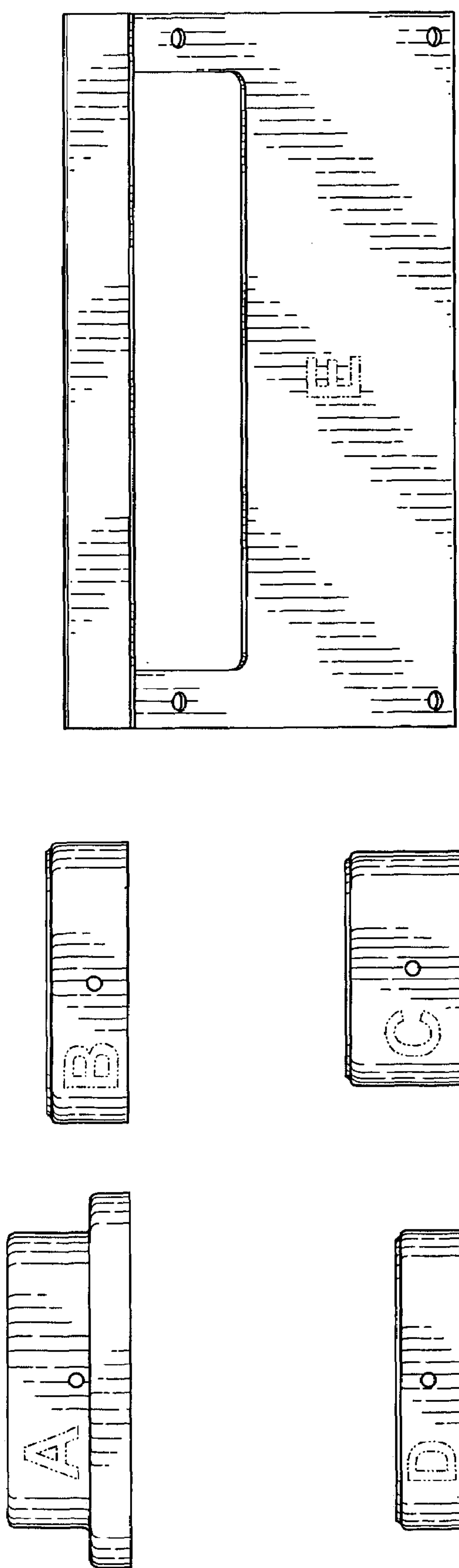


FIG. 7