



US00D559863S

(12) **United States Design Patent**
Bogner et al.

(10) **Patent No.:** **US D559,863 S**
(45) **Date of Patent:** **** Jan. 15, 2008**

(54) **INTERNAL COMBUSTION ENGINE**

(57) **CLAIM**

(76) Inventors: **Erwin Bogner**, 10 Landing La., East Quogue, NY (US) 11942; **Peter D. Witt**, P.O. Box 3047, Huntington Station, NY (US) 11746

The ornamental design for an internal combustion engine, as shown and described.

(**) Term: **14 Years**

DESCRIPTION

(21) Appl. No.: **29/236,487**

(22) Filed: **Aug. 17, 2005**

(51) **LOC (8) Cl.** **15-01**

(52) **U.S. Cl.** **D15/1**

(58) **Field of Classification Search** D15/1-5;
D13/112, 122; 123/41.7, 50 A, 198 E, 306,
123/308, 661, 667; 310/898, 91, 113, 166,
310/171

See application file for complete search history.

FIG. 1 is a first perspective view of the internal combustion engine according to the novel design.

FIG. 2 is a second perspective view of the internal combustion engine of FIG. 1.

FIG. 3 is a third perspective view of the internal combustion engine of FIG. 1.

FIG. 4 is a side elevational view of the internal combustion engine of FIG. 1.

FIG. 5 is a top view of the internal combustion engine of FIG. 1.

FIG. 6 is a bottom view of the internal combustion engine of FIG. 1.

FIG. 7 is an end view of the internal combustion engine of FIG. 1 showing the end of the engine from which the device shaft protrudes; and,

FIG. 8 is an end view of the internal combustion engine of FIG. 1 showing the opposite end of the engine.

(56) **References Cited**

U.S. PATENT DOCUMENTS

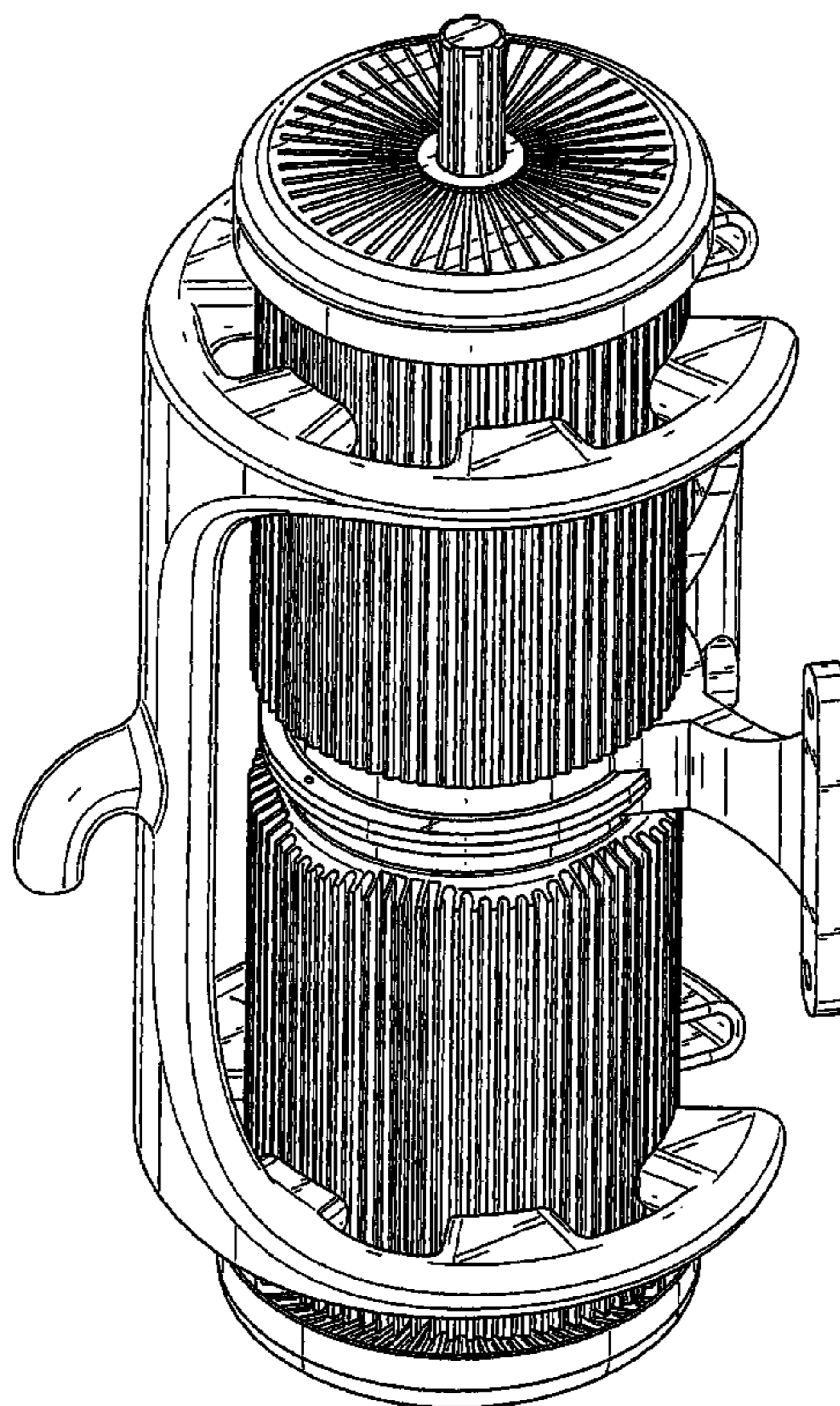
3,790,832 A *	2/1974	Patel	310/113
D273,586 S *	4/1984	Hodgson	D15/7
D325,560 S *	4/1992	Baines	D13/112
5,543,671 A *	8/1996	Williams	310/71
D493,806 S *	8/2004	Csiki	D15/1

* cited by examiner

Primary Examiner—Ian Simmons

Assistant Examiner—Maurice Stevens

1 Claim, 8 Drawing Sheets



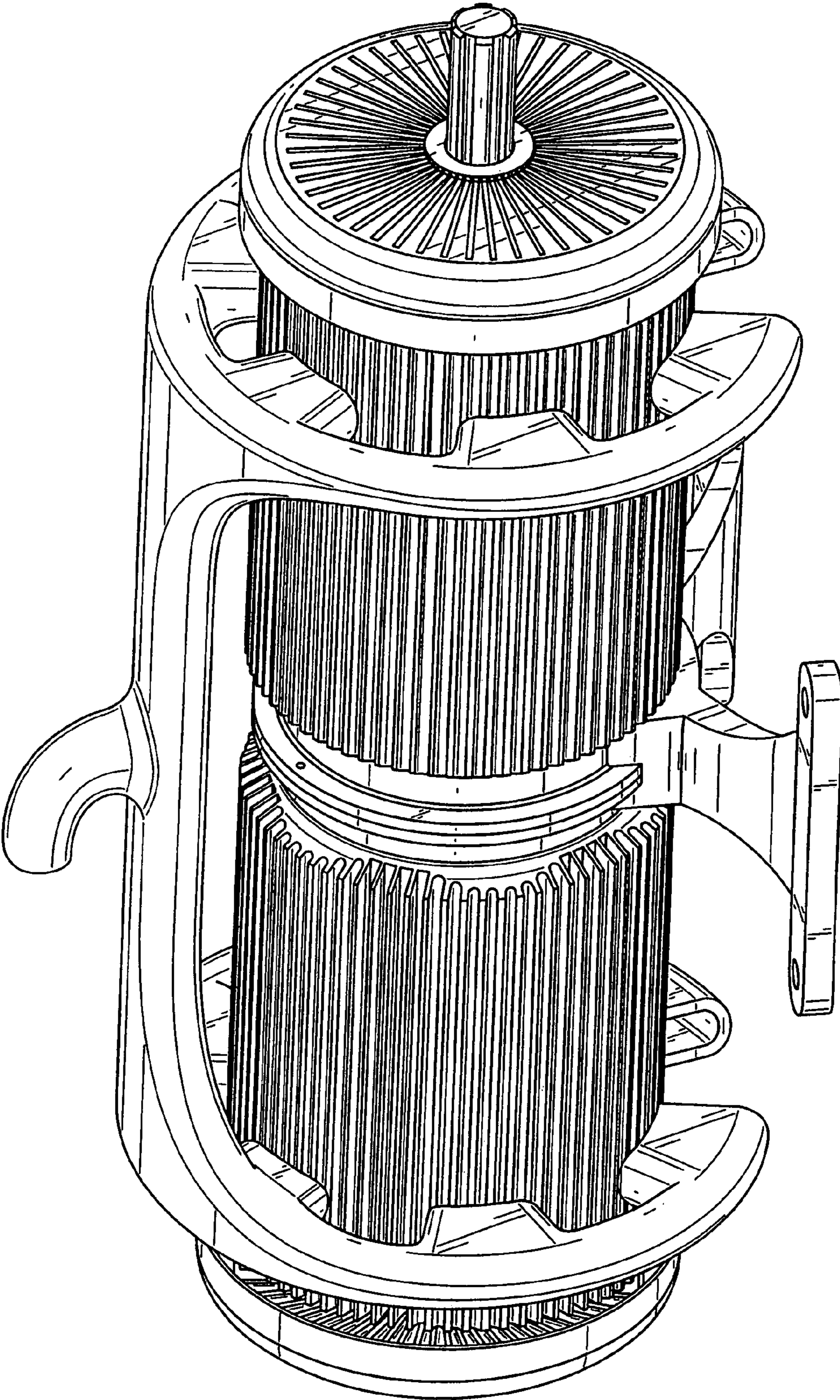


FIG. 1

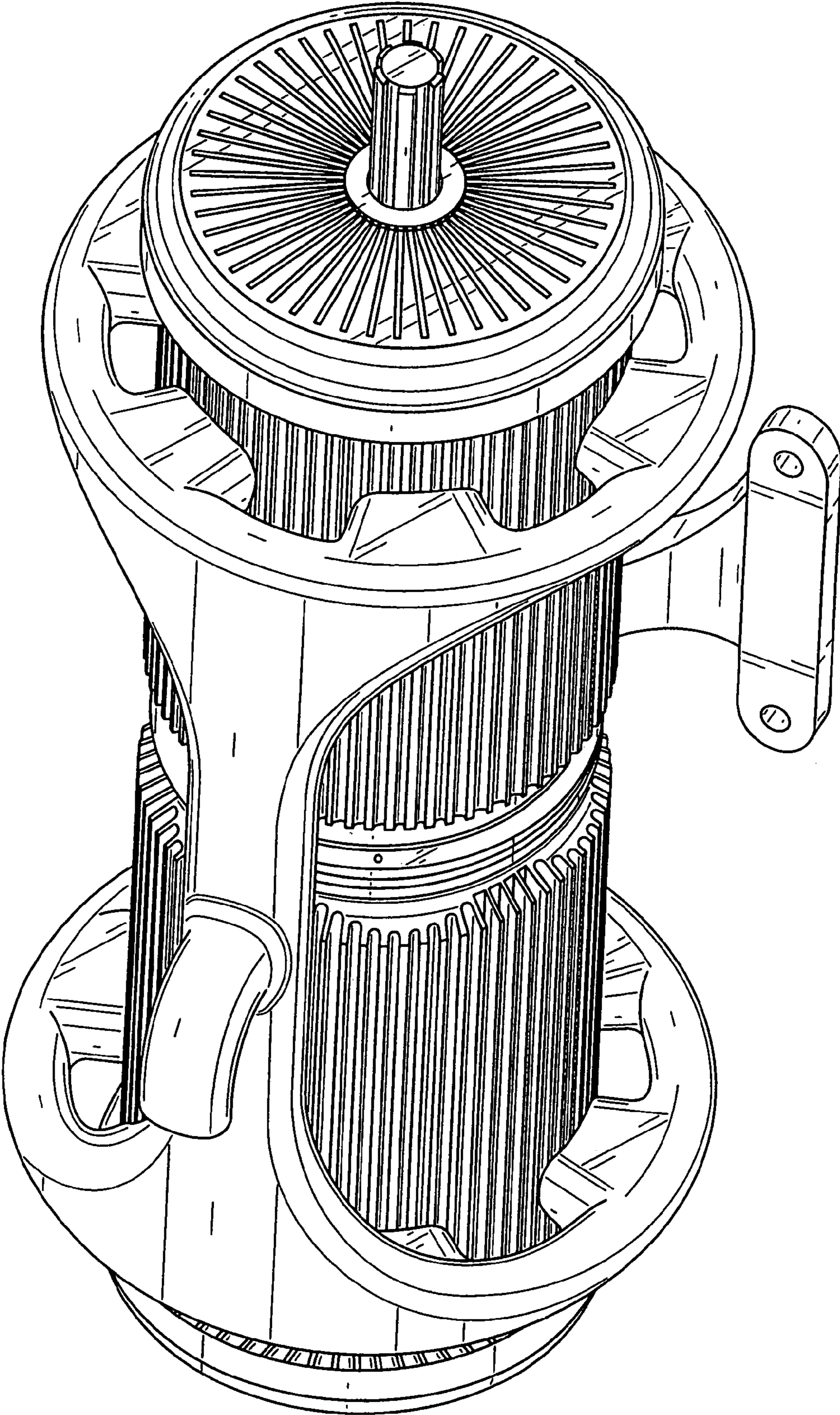


FIG. 2

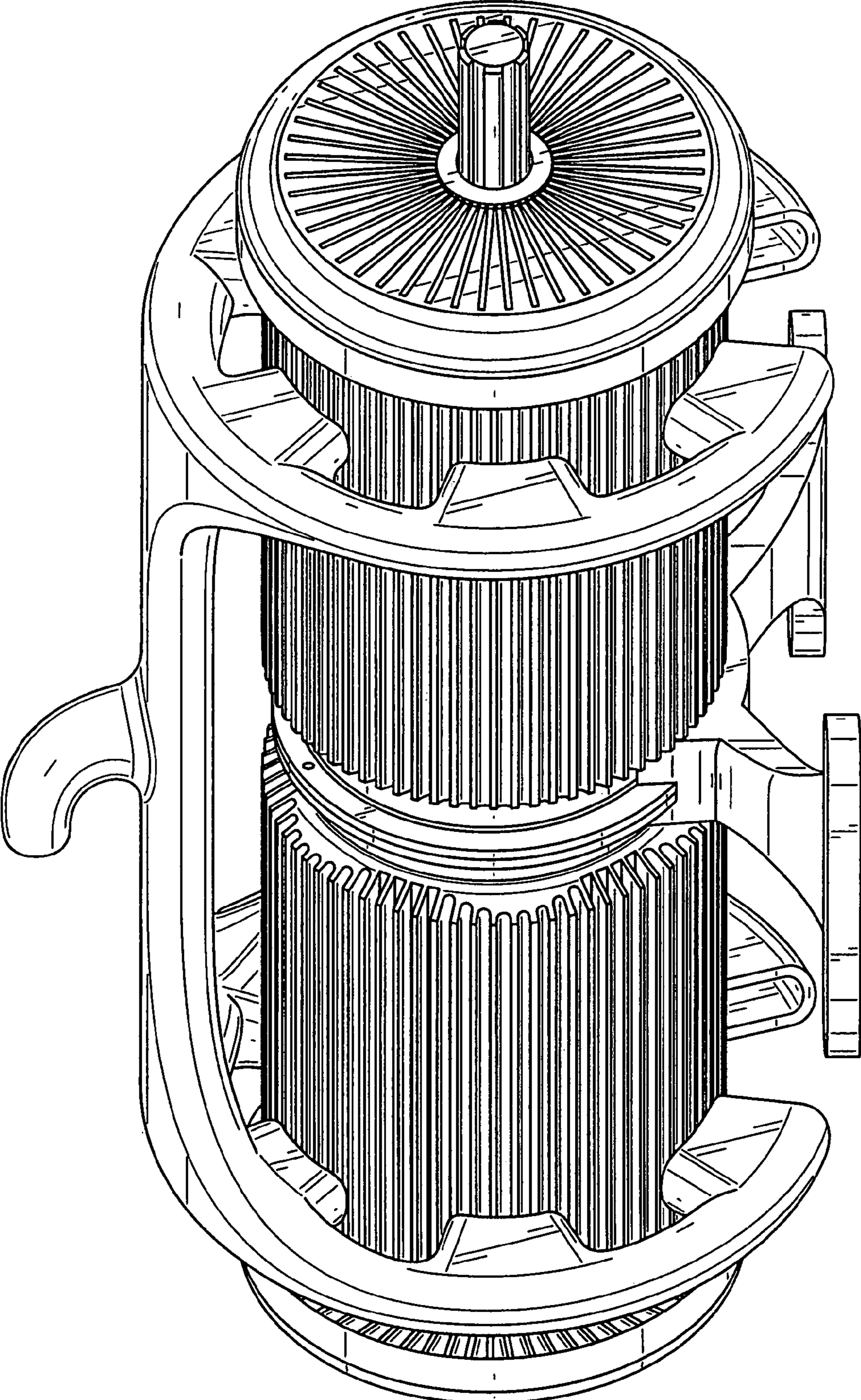


FIG. 3

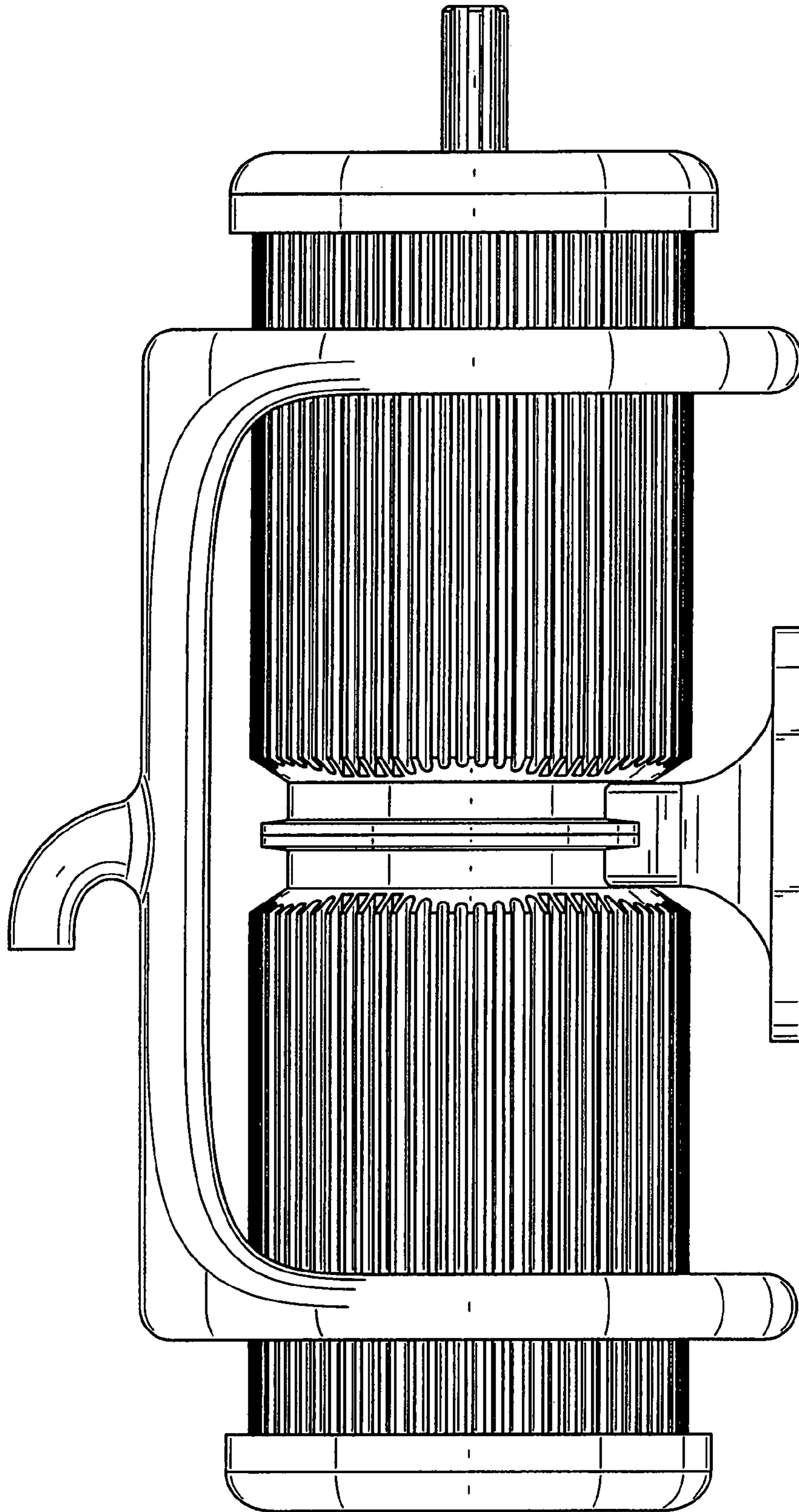


FIG. 4

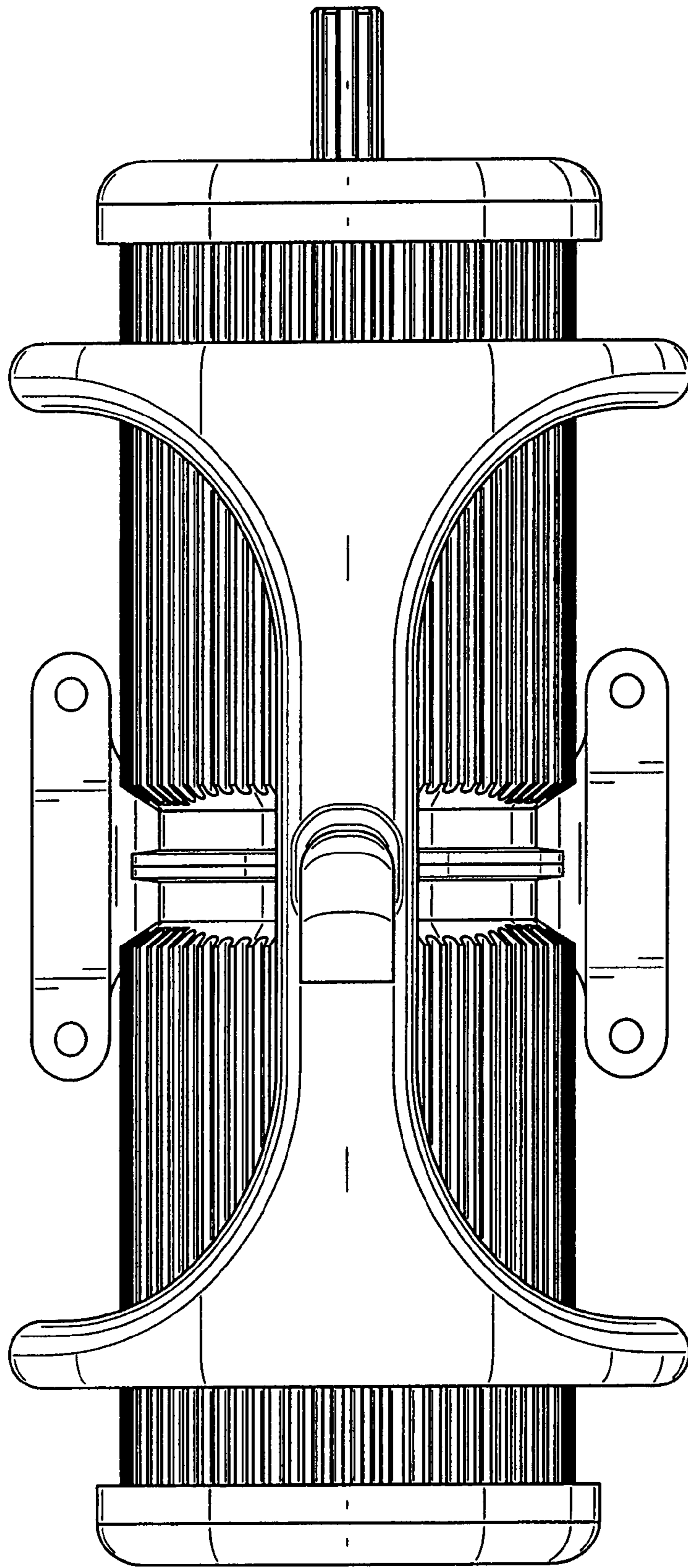


FIG. 5

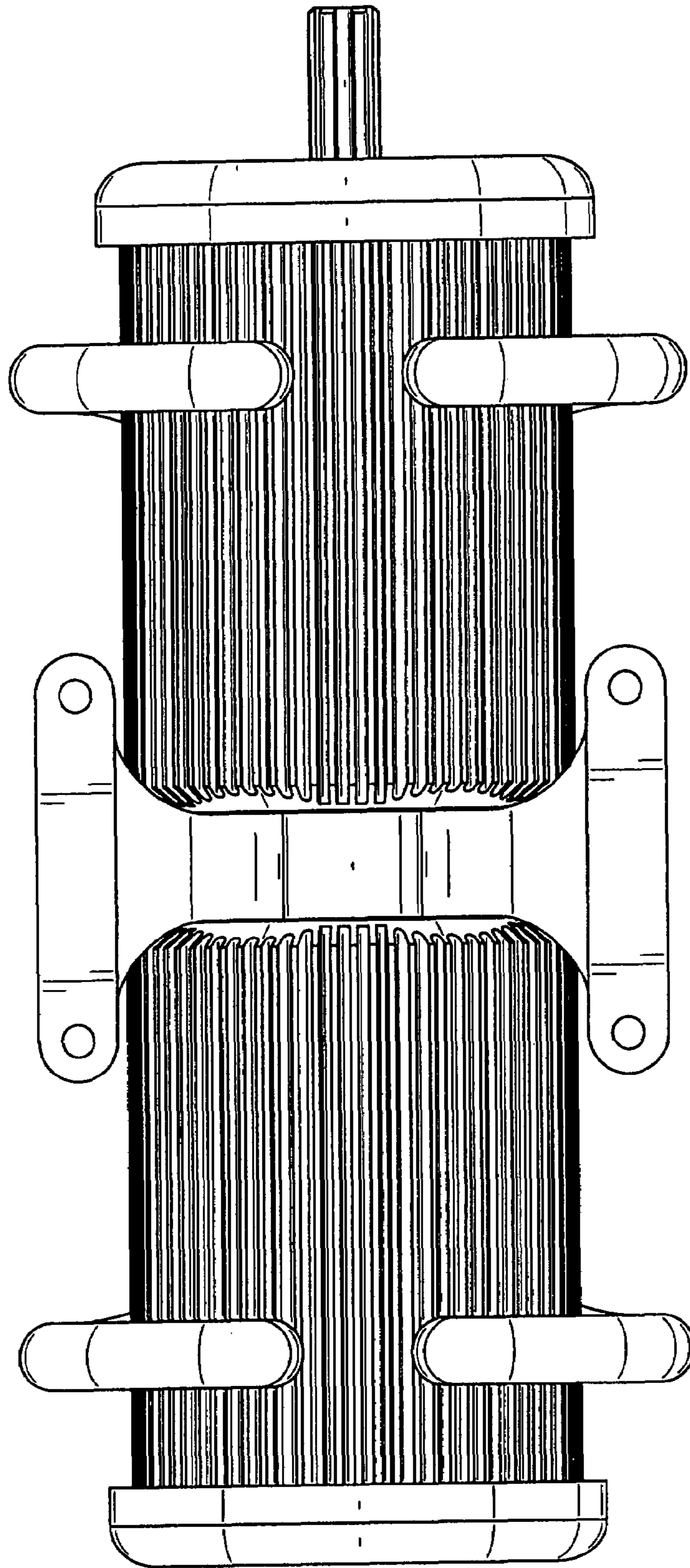


FIG. 6

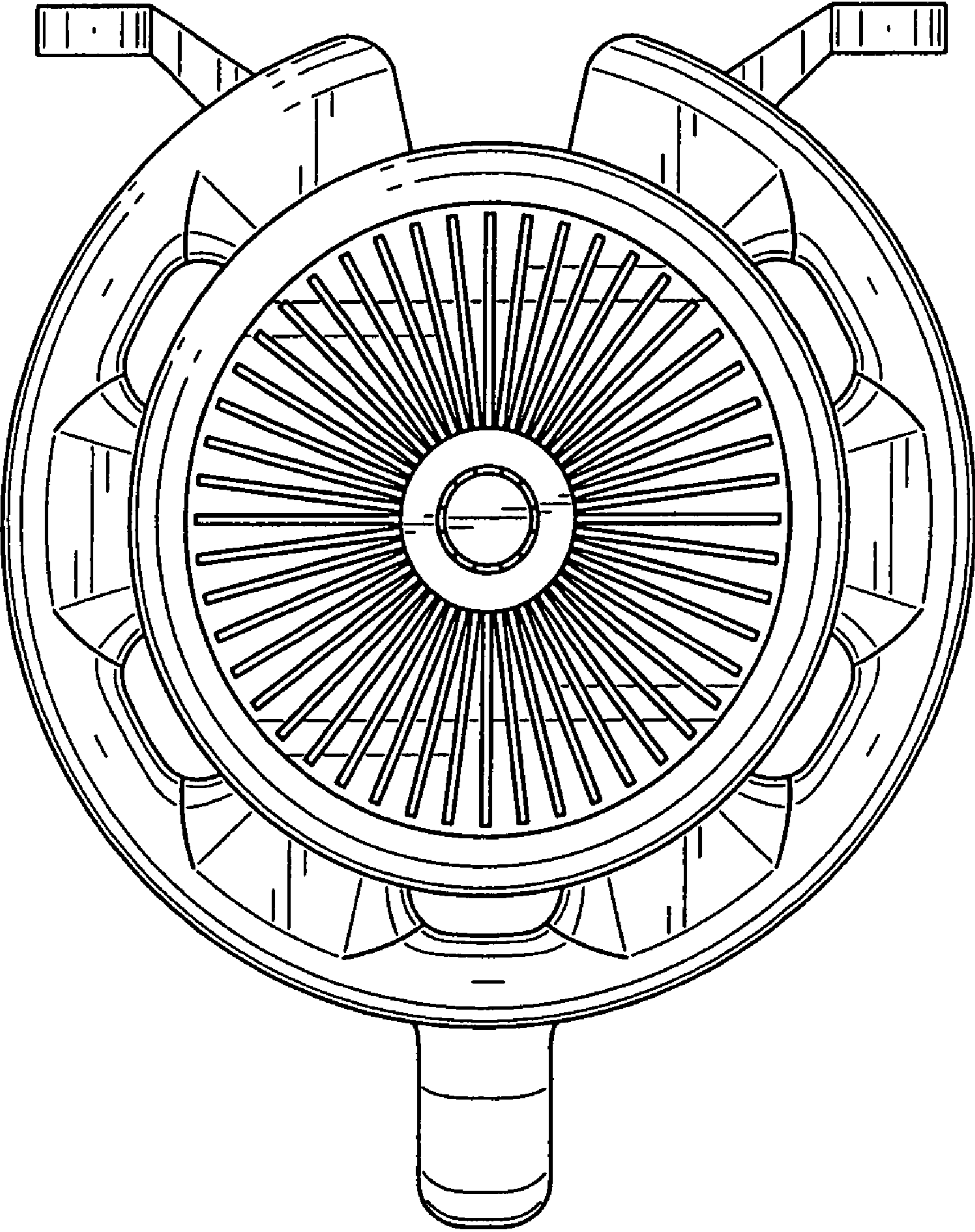


FIG. 7

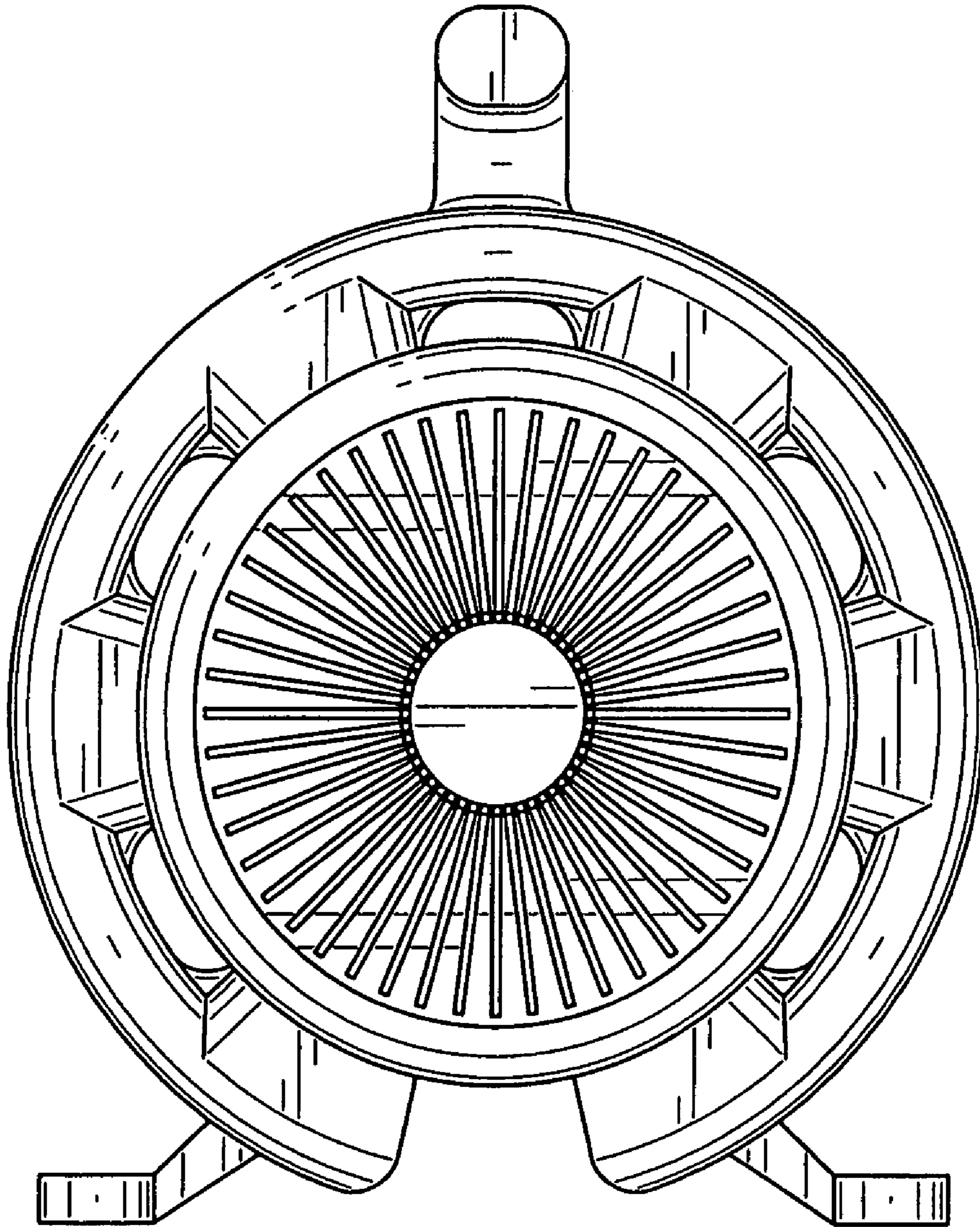


FIG. 8