



US00D559845S

(12) **United States Design Patent**
Lum et al.

(10) **Patent No.:** **US D559,845 S**
(45) **Date of Patent:** **** Jan. 15, 2008**

(54) **INFORMATION TERMINAL DEVICE**

(75) Inventors: **Myk W. Lum**, Irvine, CA (US); **Adam C. Wade**, Rancho Santa Margarita, CA (US); **Robert L. Fletcher**, Pasadena, CA (US)

(73) Assignees: **WEM Technology Limited**, Tai Po, N.T. (HK); **LDA, LLC**, Irvine, CA (US)

(**) Term: **14 Years**

(21) Appl. No.: **29/245,000**

(22) Filed: **Dec. 16, 2005**

(51) **LOC (8) Cl.** **14-02**

(52) **U.S. Cl.** **D14/302**

(58) **Field of Classification Search** D14/302-308,
D14/314, 130, 146, 374, 340, 126, 346; D13/162,
D13/163, 184, 199; D20/10; D99/28; 194/205,
194/206; 361/680-687; 312/223.1-223.3;
463/34, 46

See application file for complete search history.

(56) **References Cited**

U.S. PATENT DOCUMENTS

4,490,711 A 12/1984 Johnston
(Continued)

OTHER PUBLICATIONS

U.S. Appl. No. 29/245,001, filed Dec. 16, 2005, Lum, et al.
(Continued)

Primary Examiner—Freda S Nunn

(74) *Attorney, Agent, or Firm*—Law Offices of Albert Wai-Kit Chan, PLLC

(57) **CLAIM**

We claim the ornamental design for an information terminal device, substantially as shown and described.

DESCRIPTION

FIG. 1 is a front, top and right side perspective view of an information terminal device in accordance with the present

design, wherein the broken lines are shown in the view for illustrative purpose only and form no part of the claimed design.

FIG. 2 is a rear left perspective view of the device shown in FIG. 1.

FIG. 3 is a front right perspective view of the device shown in FIG. 1 with a controller unit in an upright position.

FIG. 4 is a front right perspective view of the device shown in FIG. 1 with a controller unit detached from the device.

FIG. 5 is a front view of the device shown in FIG. 1.

FIG. 6 is a rear view of the controller unit shown in FIG. 3 with a stand and battery cover, it being understood that the controller is shown separately for clarity of illustration only.

FIG. 7 is a front right perspective view of the controller unit shown in FIG. 6.

FIG. 8 is a rear right perspective view of the controller unit shown in FIG. 6.

FIG. 9 is a right side view of the controller unit shown in FIG. 6 with the stand extended.

FIG. 10 is a front view of the controller unit shown in FIG. 6.

FIG. 11 is a front right perspective view of the controller unit shown in FIG. 6 with the stand extended.

FIG. 12 is a top view of the controller unit shown in FIG. 6 with the stand extended.

FIG. 13 is a rear view of the controller unit shown in FIG. 3 without a stand.

FIG. 14 is a front right perspective view of the controller unit shown in FIG. 13.

FIG. 15 is a rear right perspective view of the controller unit shown in FIG. 13.

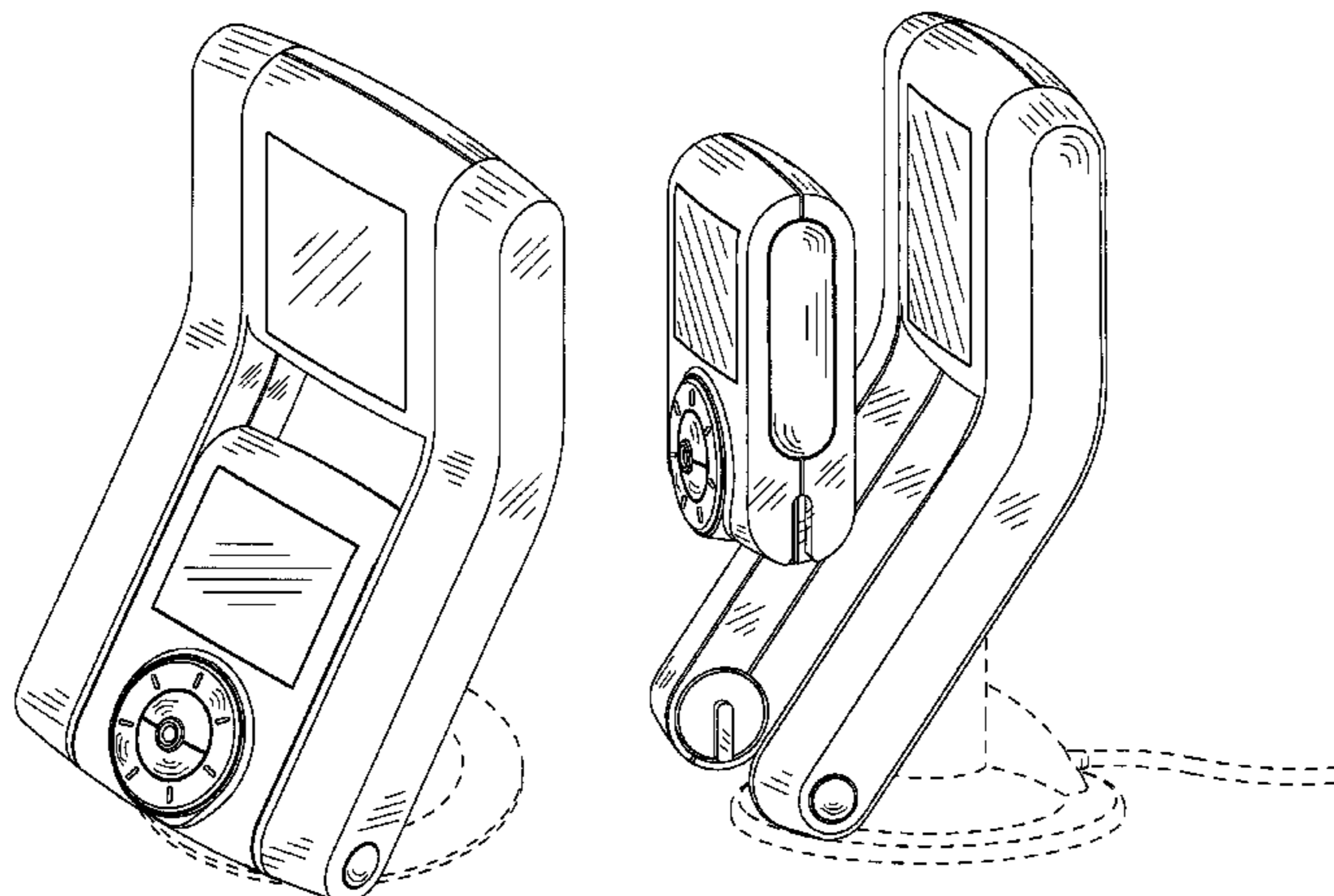
FIG. 16 is a right side view of the controller unit shown in FIG. 13.

FIG. 17 is a front view of the controller unit shown in FIG. 13.

FIG. 18 is a front right perspective view of the controller unit shown in FIG. 13; and,

FIG. 19 is a top view the controller unit shown in FIG. 13.

1 Claim, 9 Drawing Sheets



US D559,845 S

Page 2

U.S. PATENT DOCUMENTS

4,568,080 A * 2/1986 Yokoi 463/34
D283,705 S * 5/1986 Cook et al. D13/162
D296,209 S * 6/1988 Klicpera D14/340
D304,576 S * 11/1989 Vissiere D14/305
D375,726 S * 11/1996 Witte D14/305
5,802,015 A 9/1998 Rothschild et al.
5,960,440 A 9/1999 Brenner et al.
D428,864 S * 8/2000 Rooyakkers et al. D14/306
D440,542 S * 4/2001 Hawkins et al. D14/346
D448,757 S 10/2001 Okubo
D451,916 S * 12/2001 Bradley et al. D14/305
6,643,124 B1 * 11/2003 Wilk 361/681
D491,152 S * 6/2004 Christianson D14/126
D492,665 S 7/2004 Lee
6,771,250 B1 8/2004 Oh

6,944,782 B2 9/2005 von Mueller et al.
6,976,004 B2 12/2005 Wittrup
7,054,148 B2 5/2006 Chen et al.
D539,271 S 3/2007 Lum et al.
D539,786 S 4/2007 Lum et al.
2001/0007523 A1 * 7/2001 Rooyakkers et al. 361/681
2001/0034803 A1 10/2001 Sorek et al.
2003/0072133 A1 4/2003 Chuang
2005/0137019 A1 * 6/2005 Ikeda 463/46

OTHER PUBLICATIONS

Canadian Examiner's Report issued on Jan. 25, 2007 for WEM Technology Limited., Canadian Application No. 116289.
U.S. Office Action for Lum, et al., issued Apr. 13, 2007, U.S. Appl. No. 29/245,001, filed Dec. 16, 2005.

* cited by examiner

Figure 1

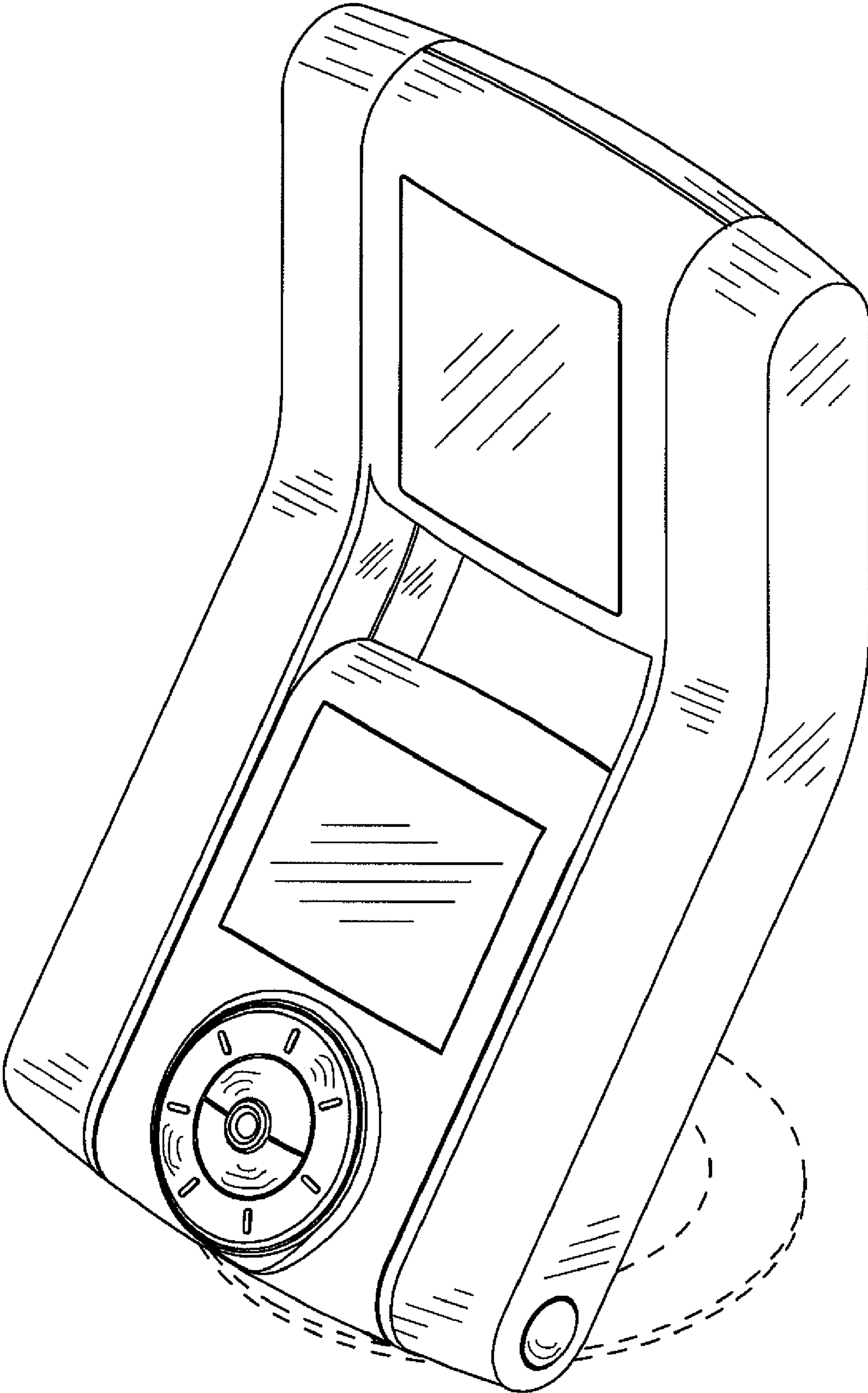


Figure 2

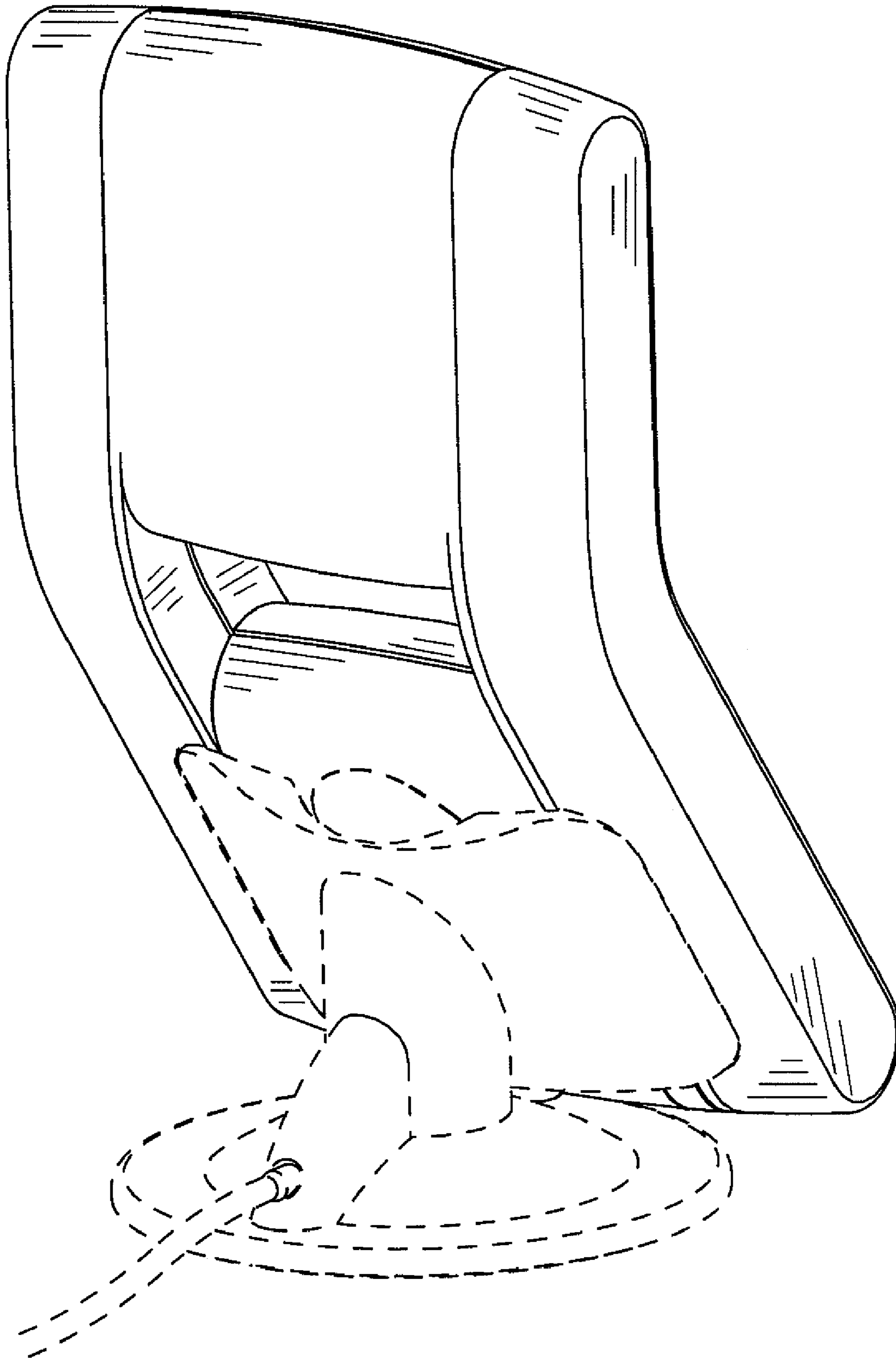


Figure 3

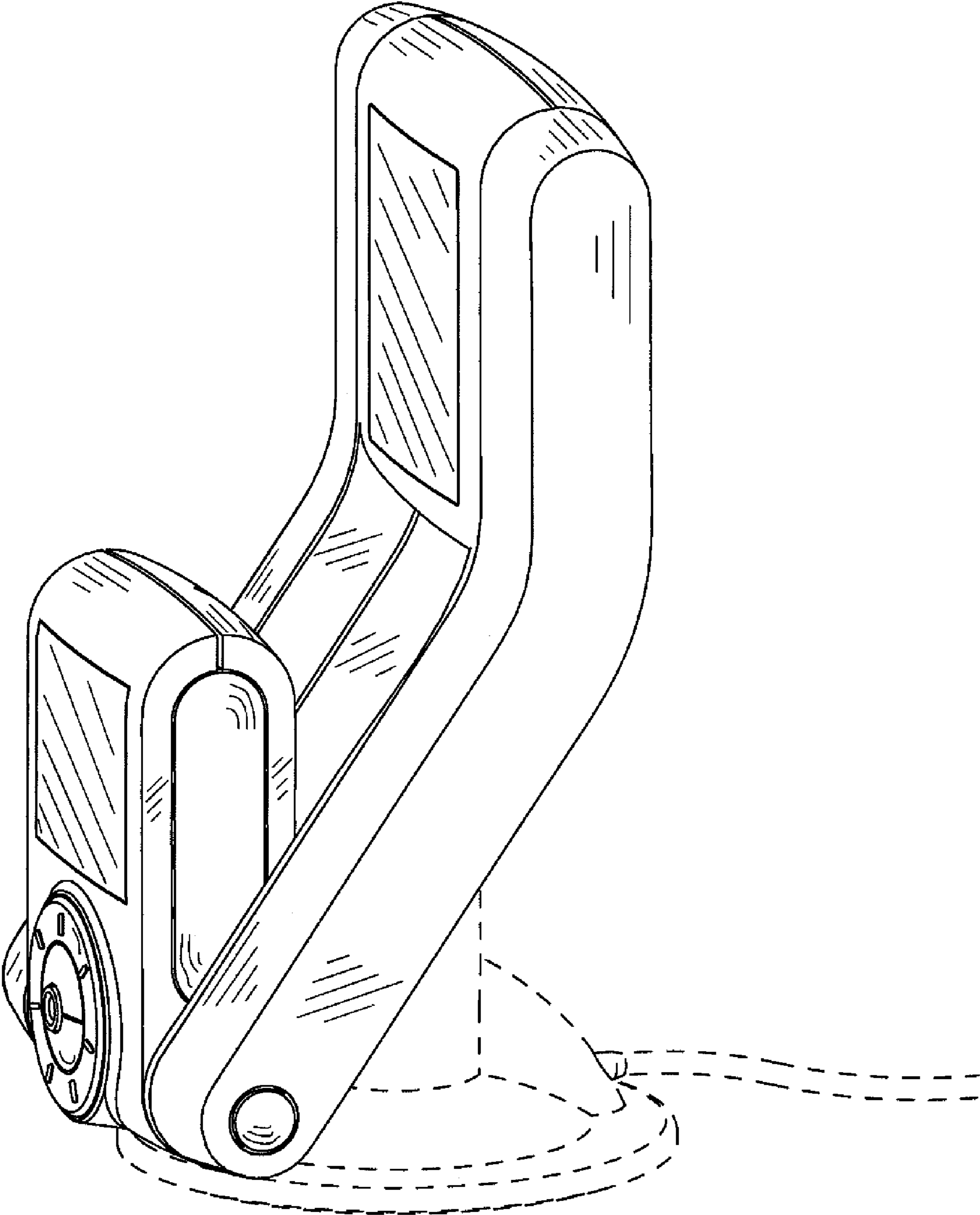


Figure 4

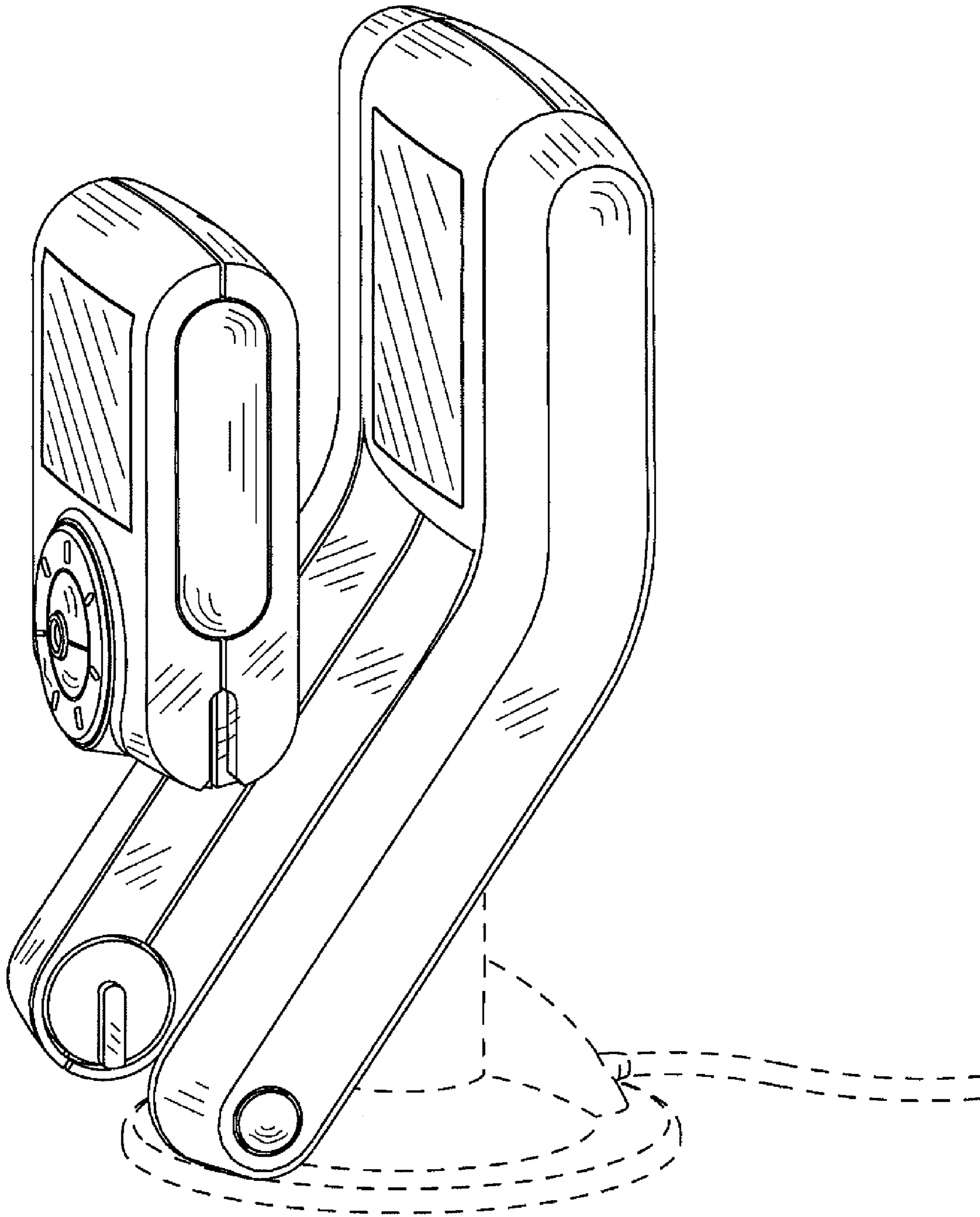


Figure 5

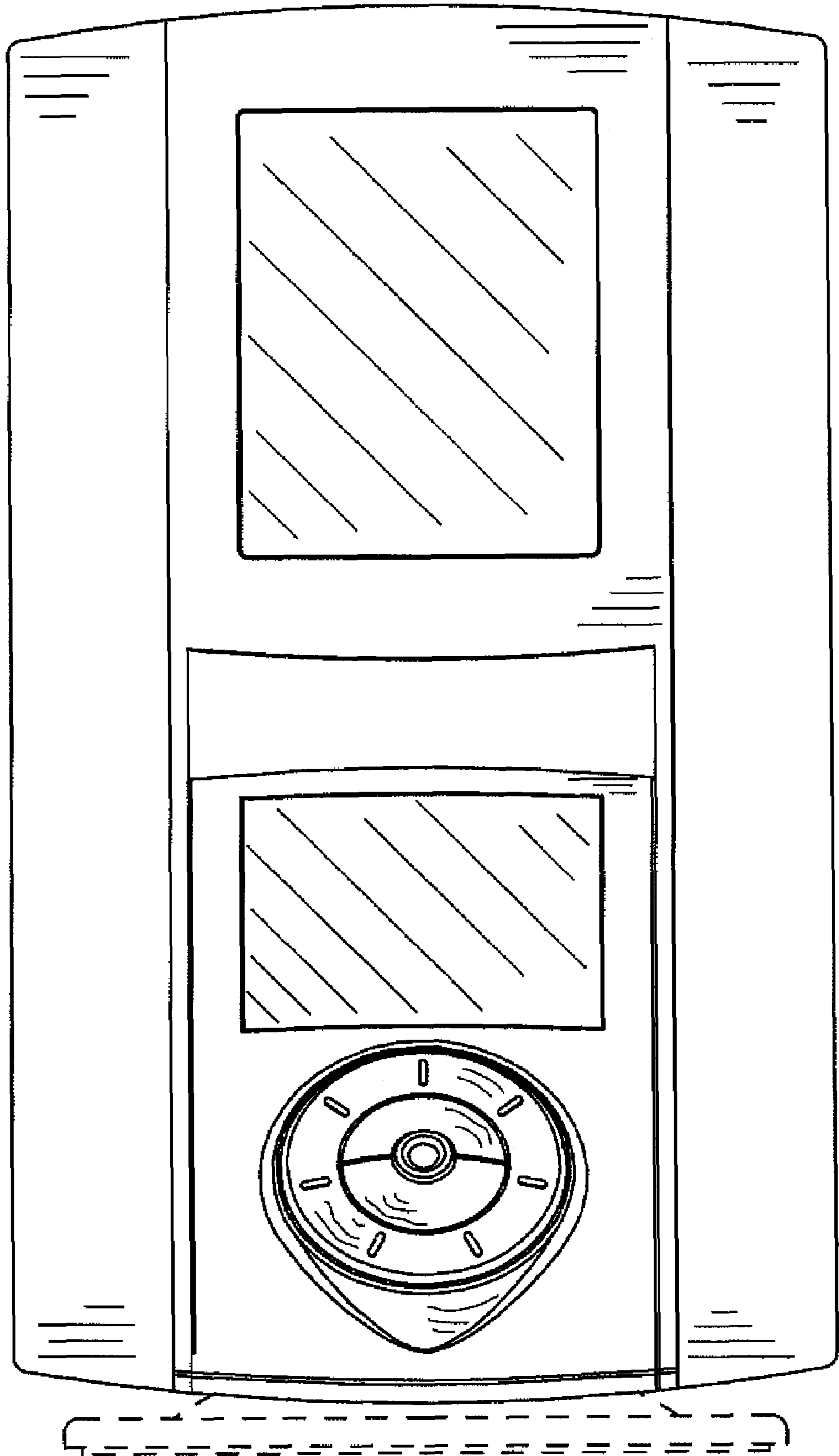


Figure 6

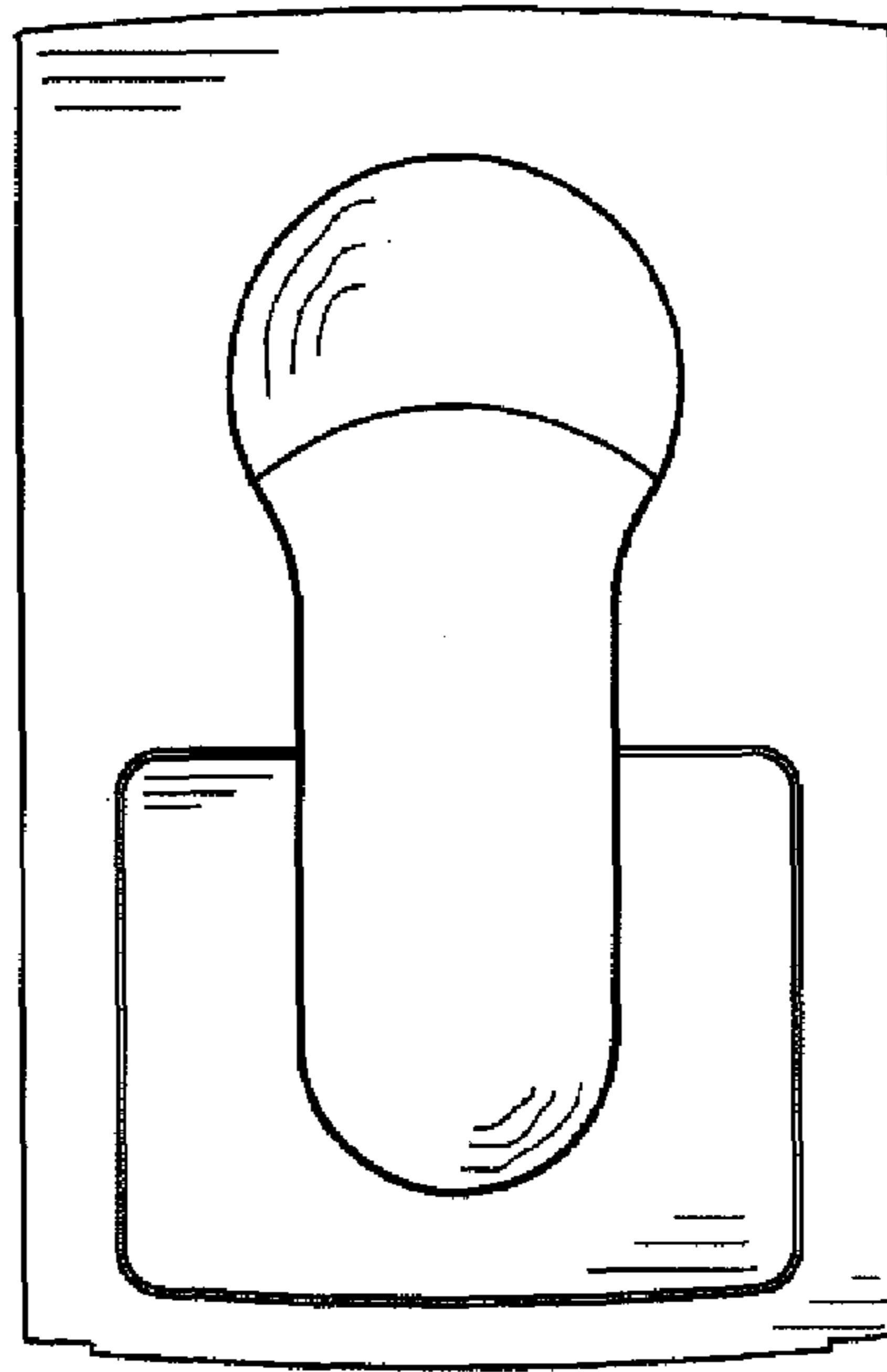


Figure 7

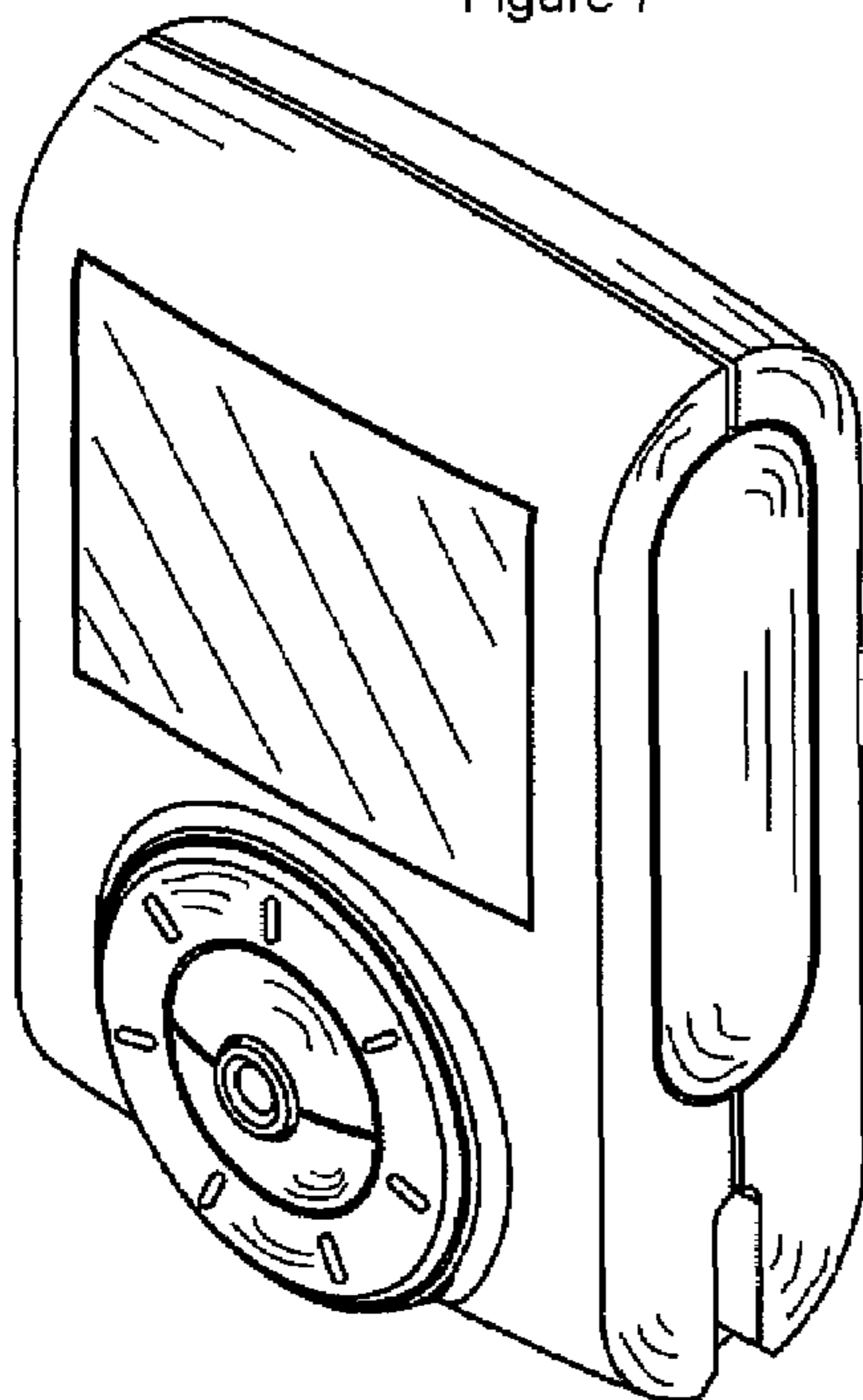


Figure 8

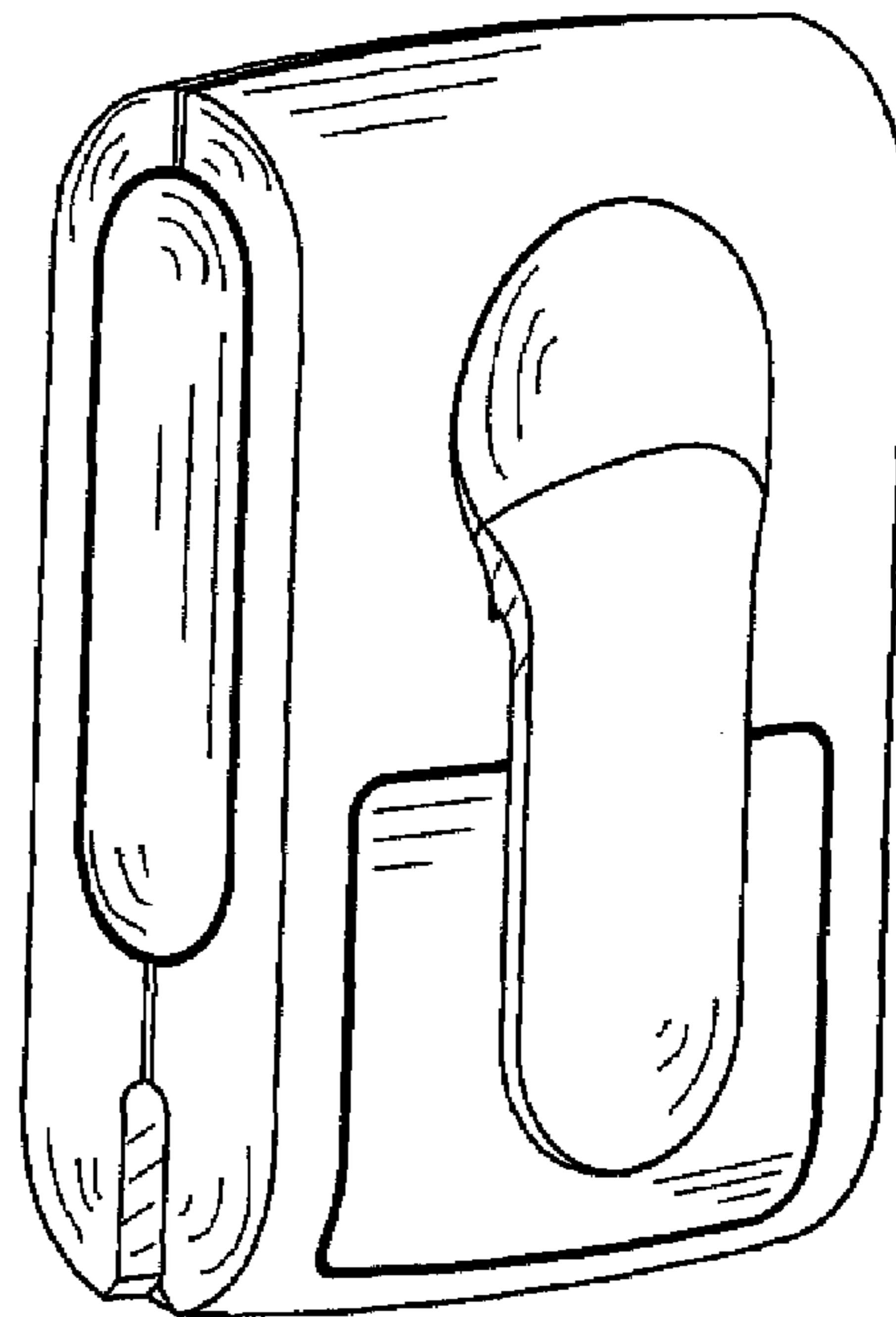


Figure 9

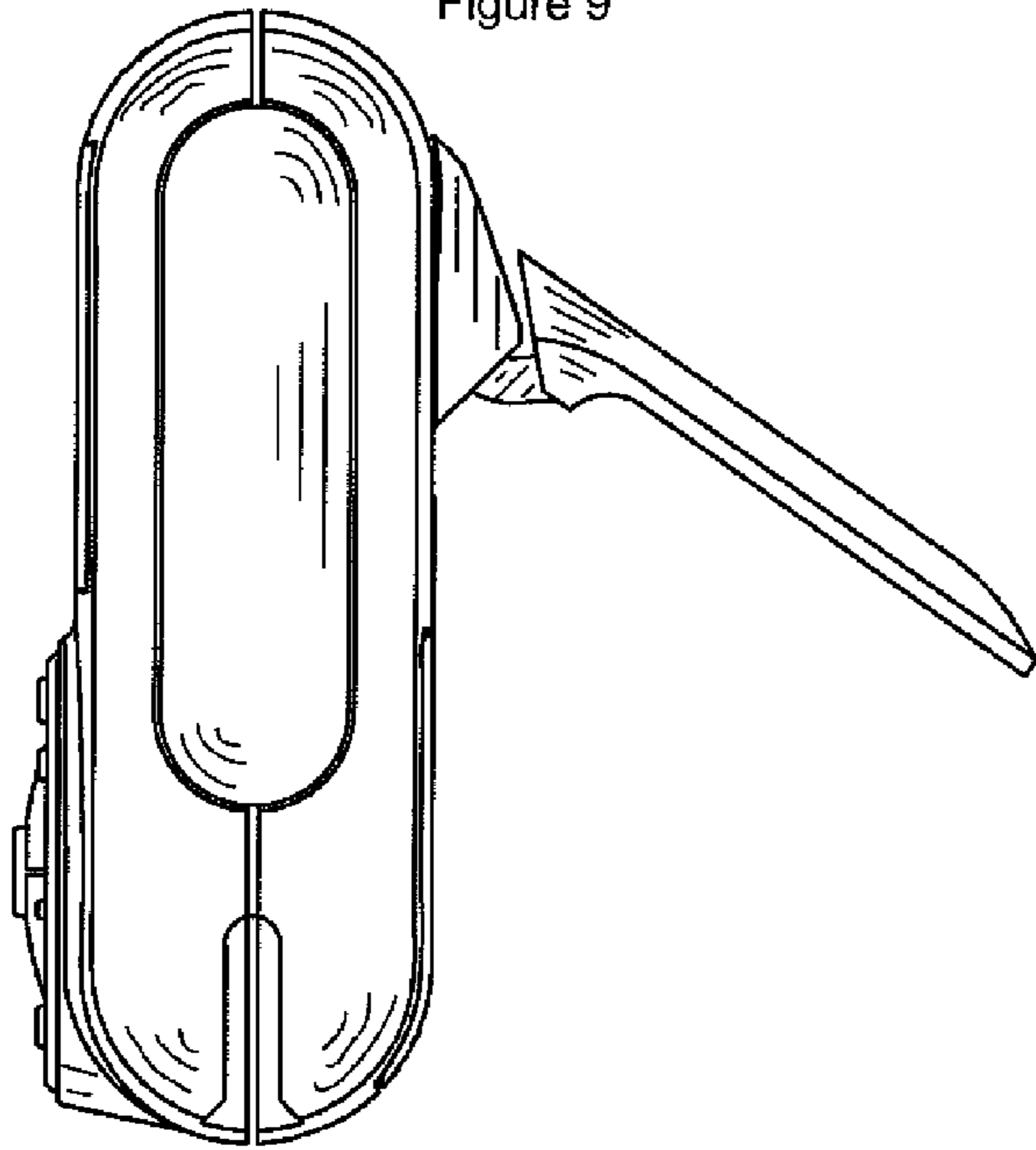


Figure 10

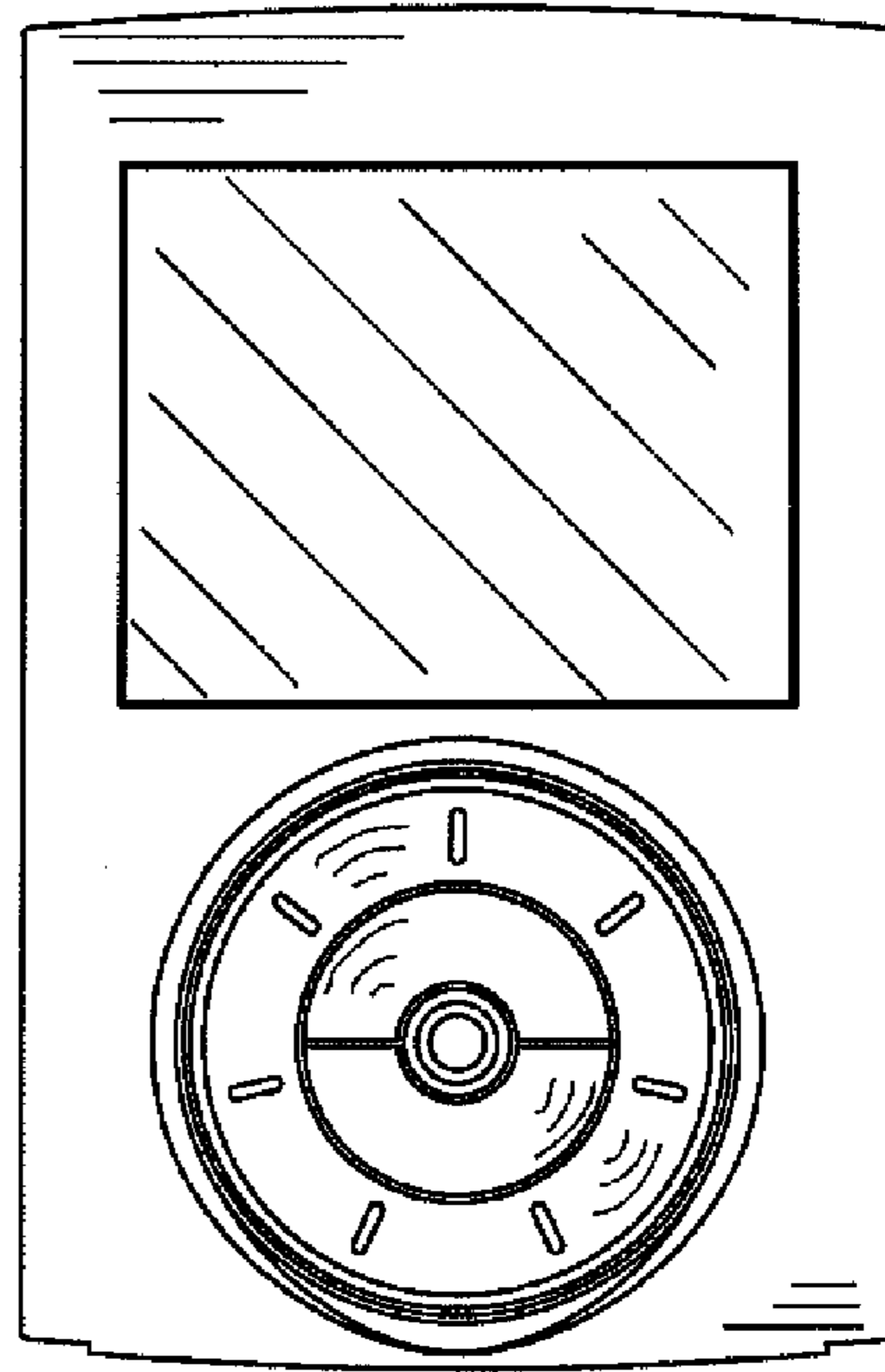


Figure 11

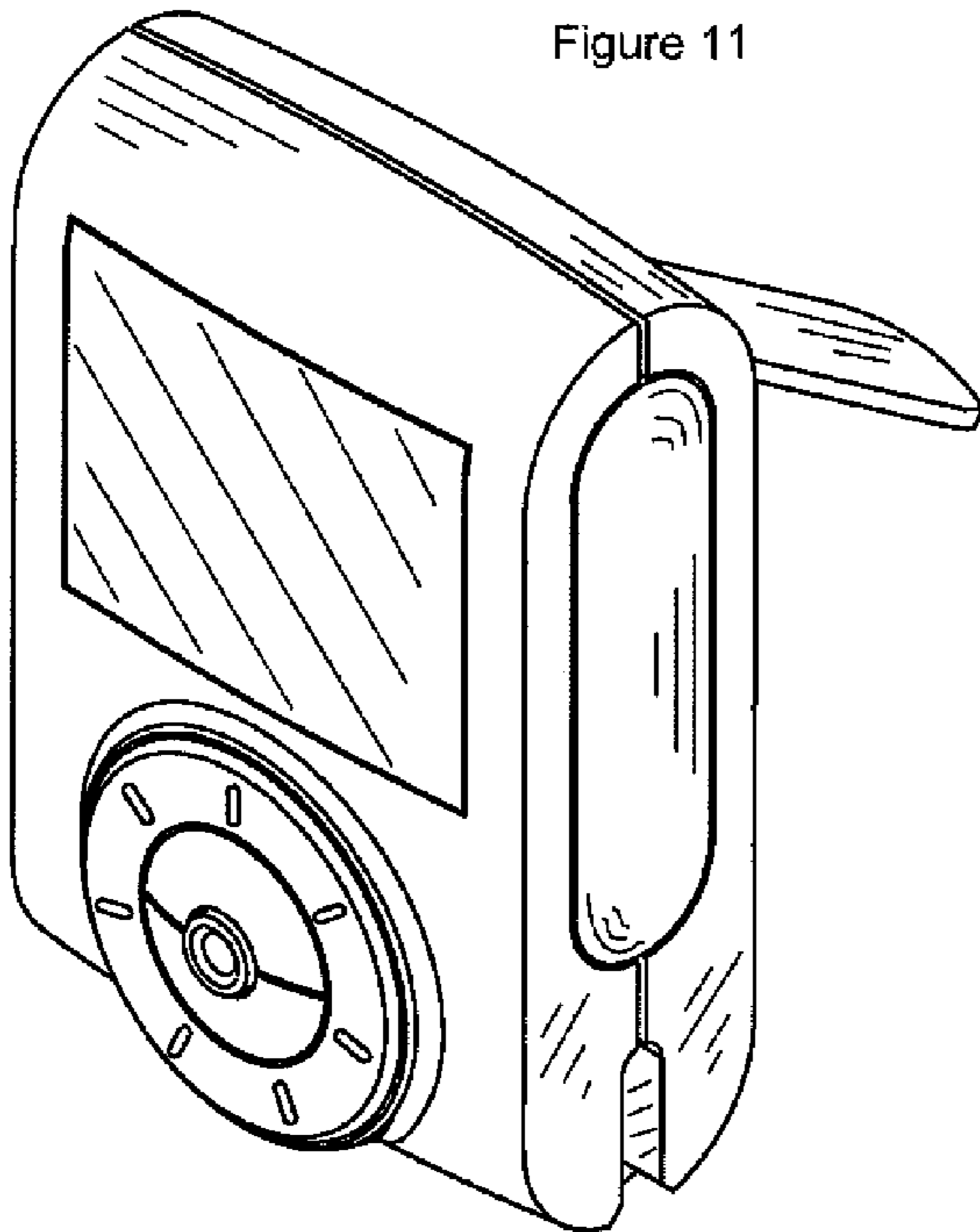
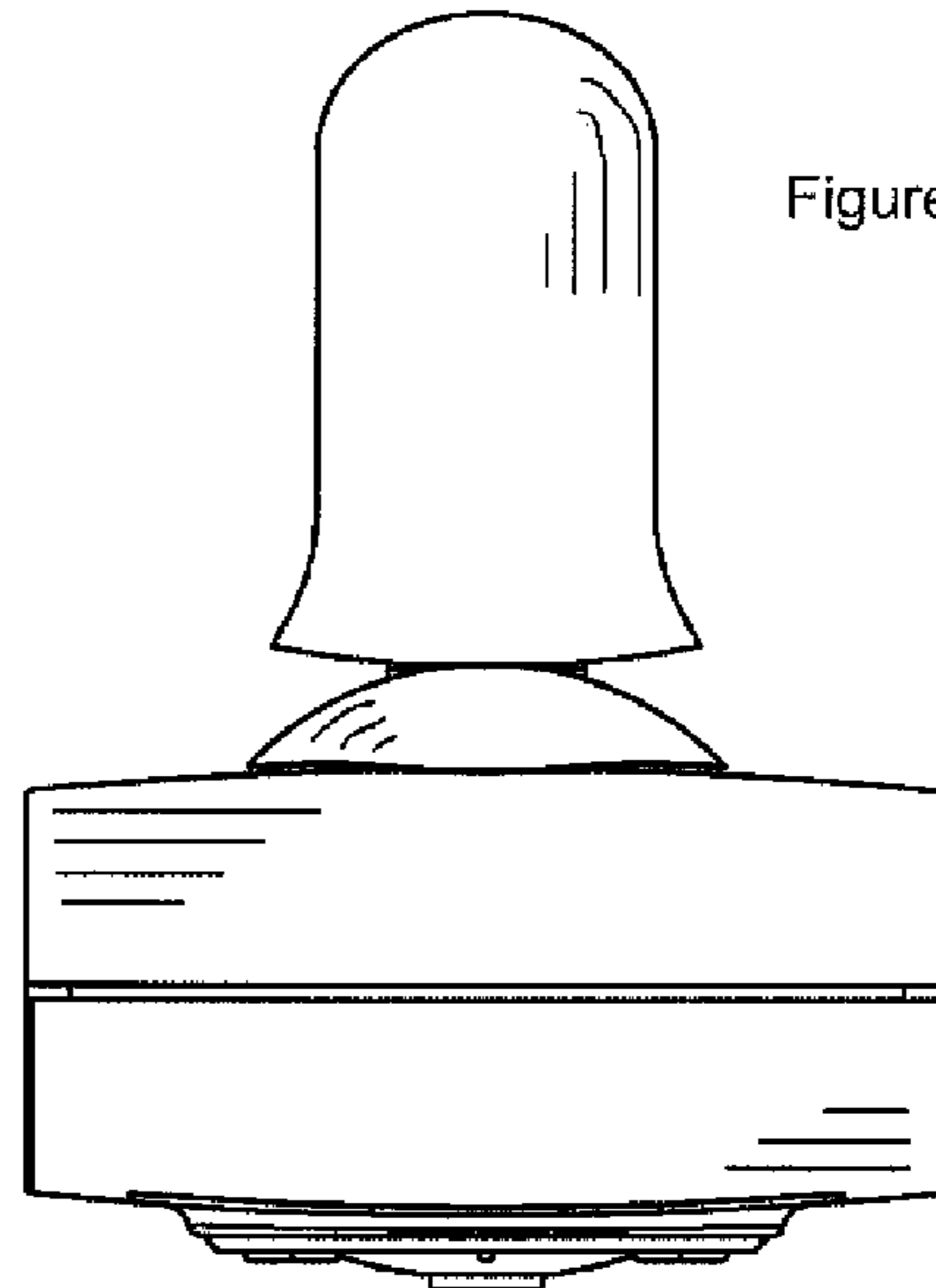


Figure 12



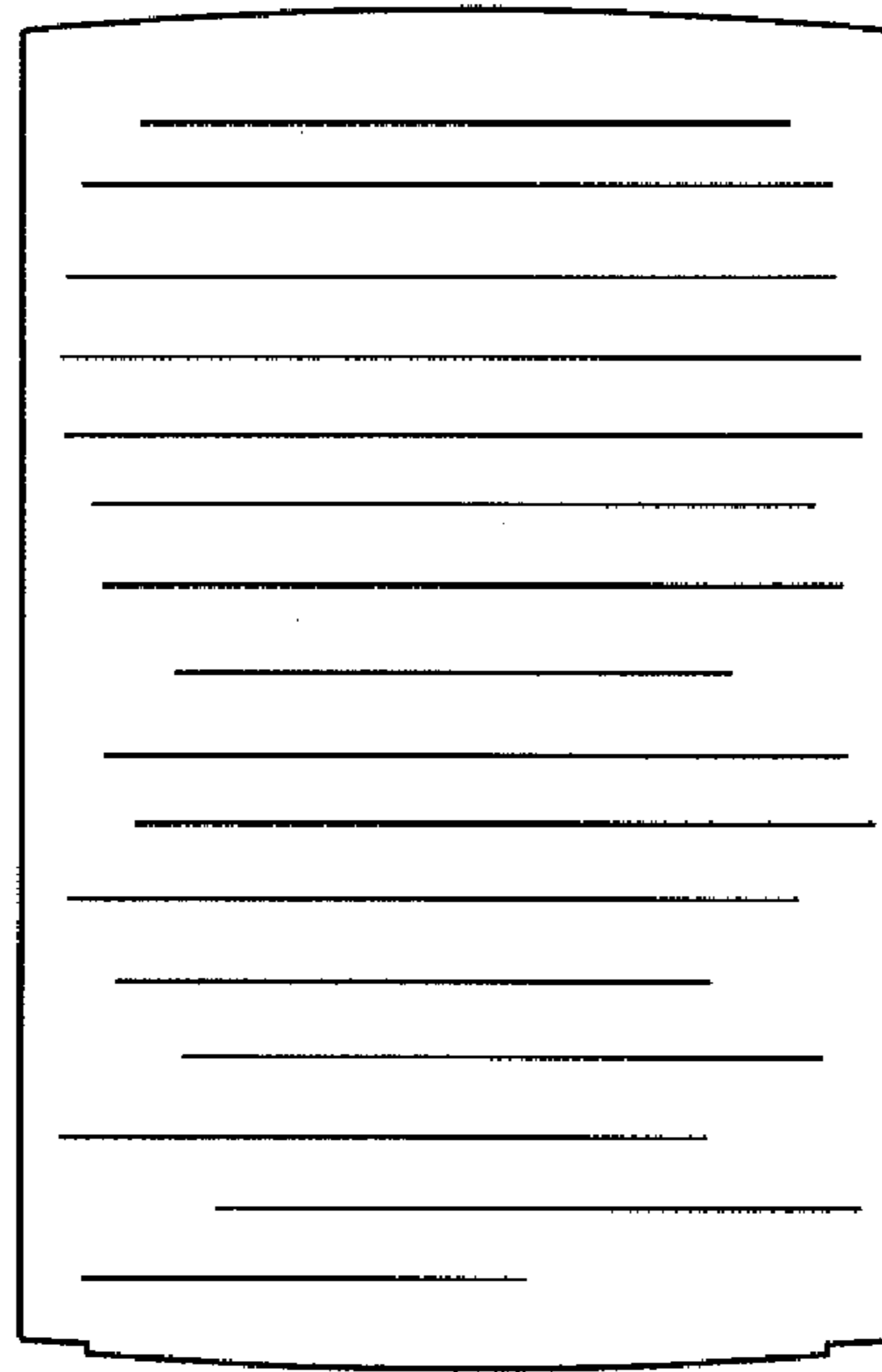


Figure 13

Figure 14

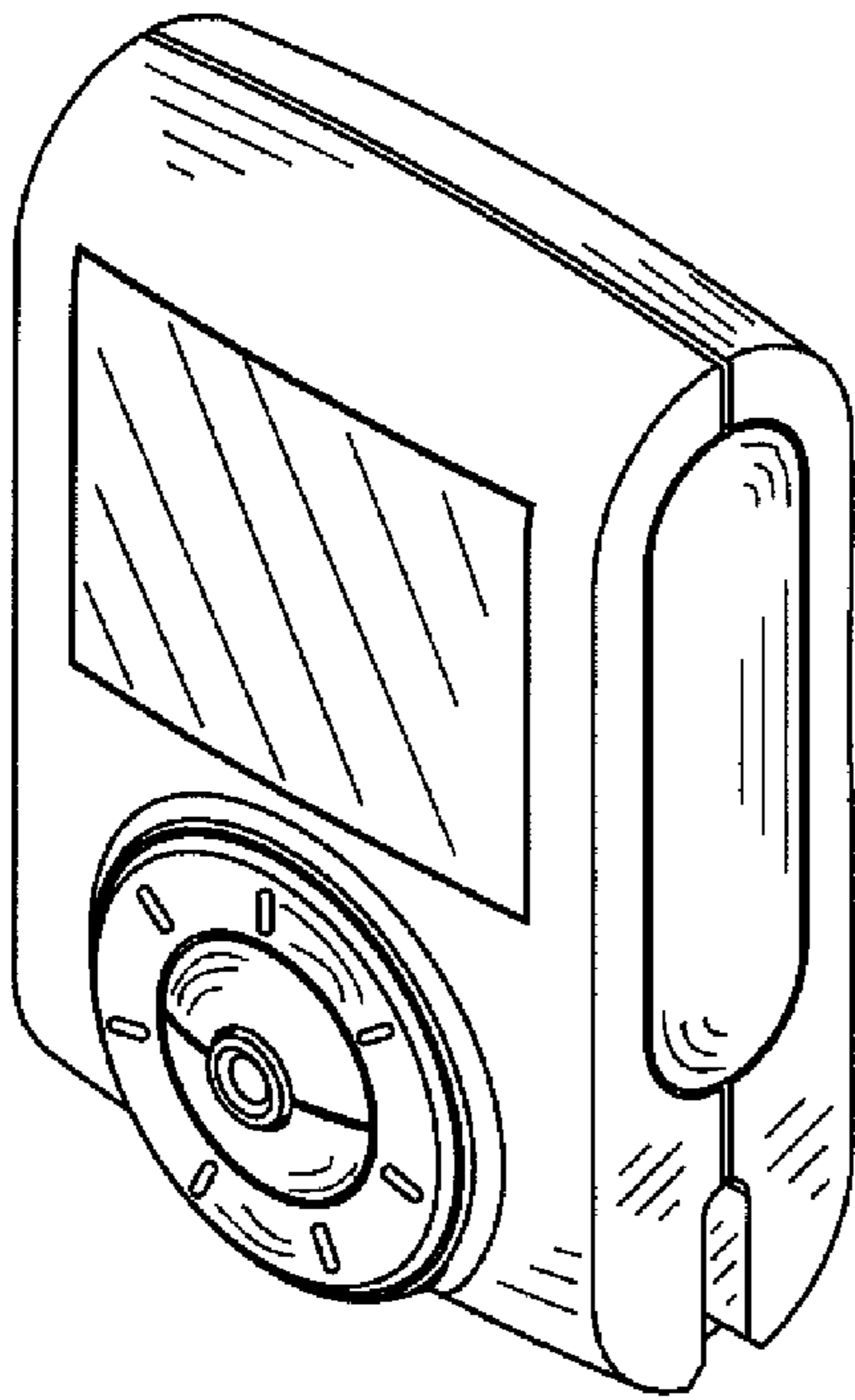
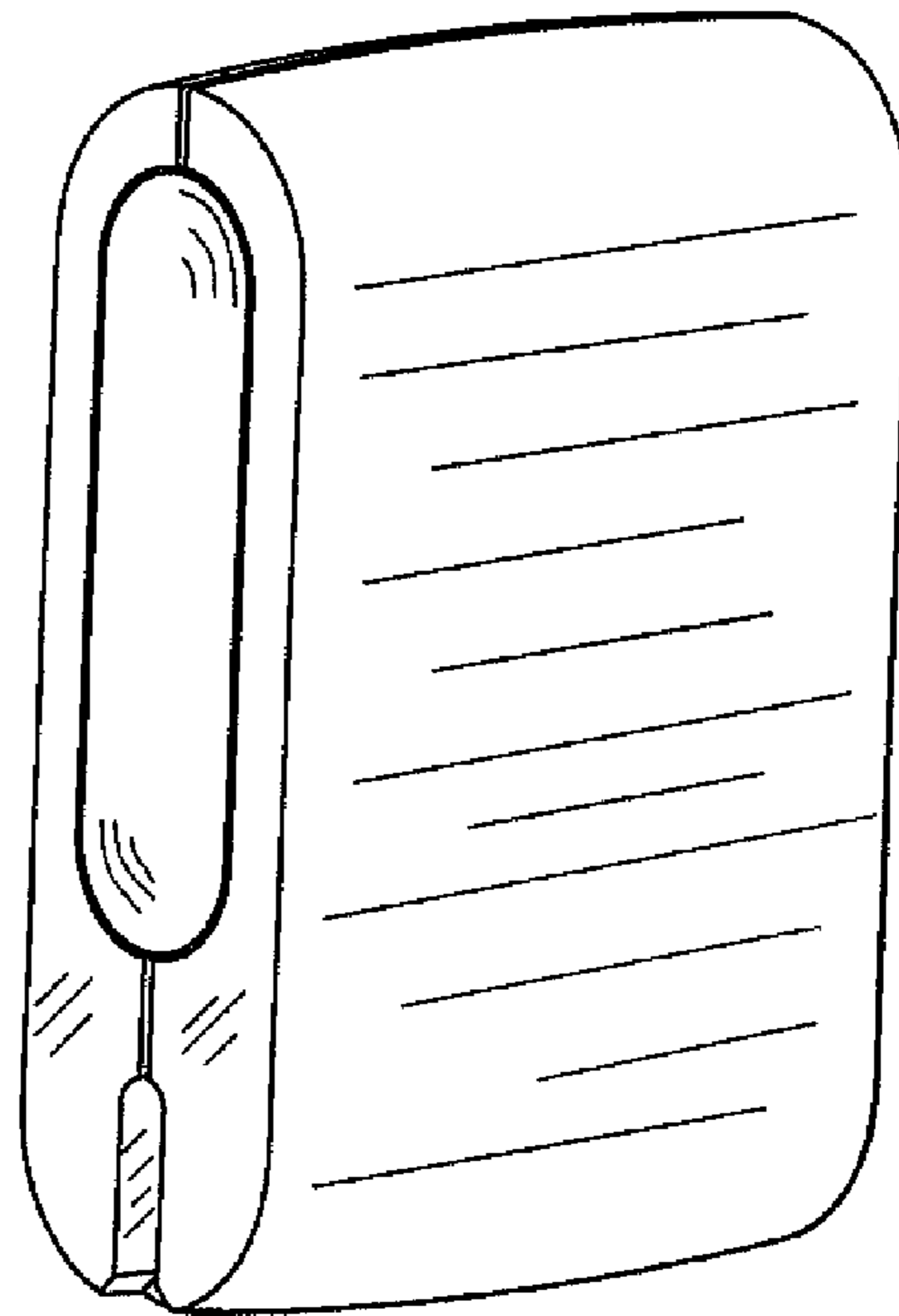


Figure 15



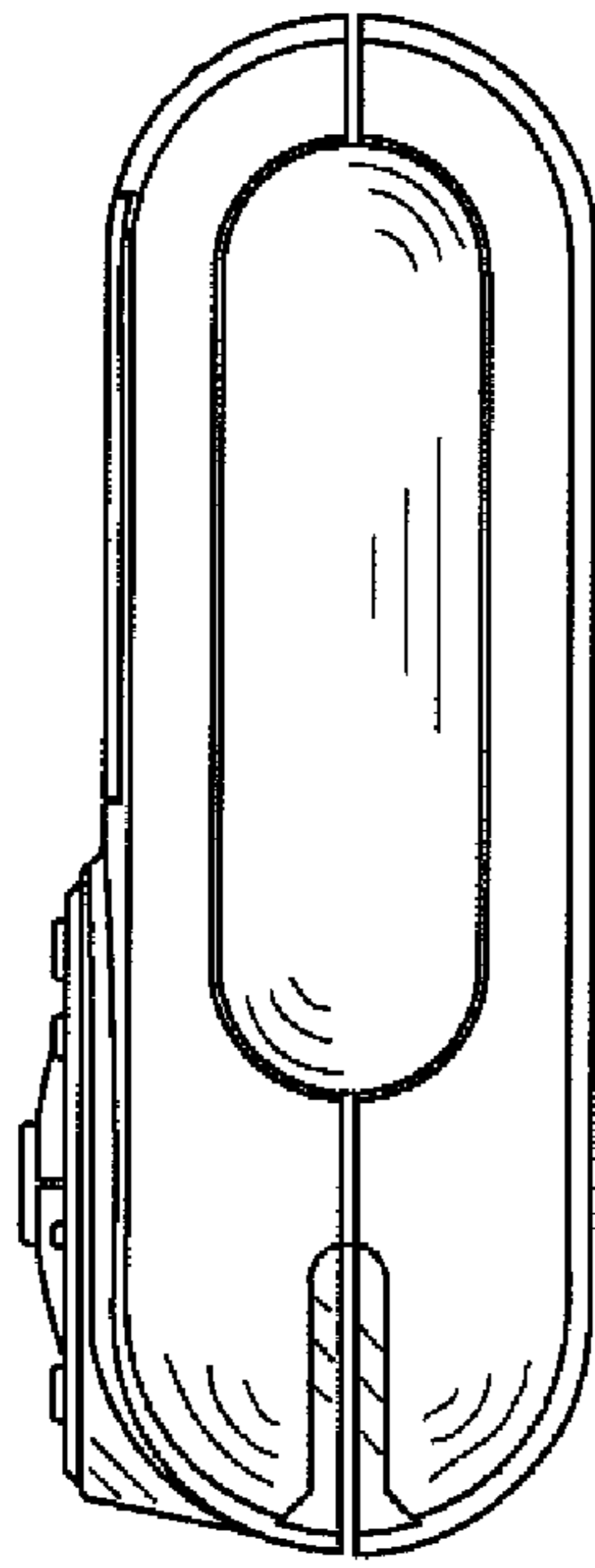


Figure 16

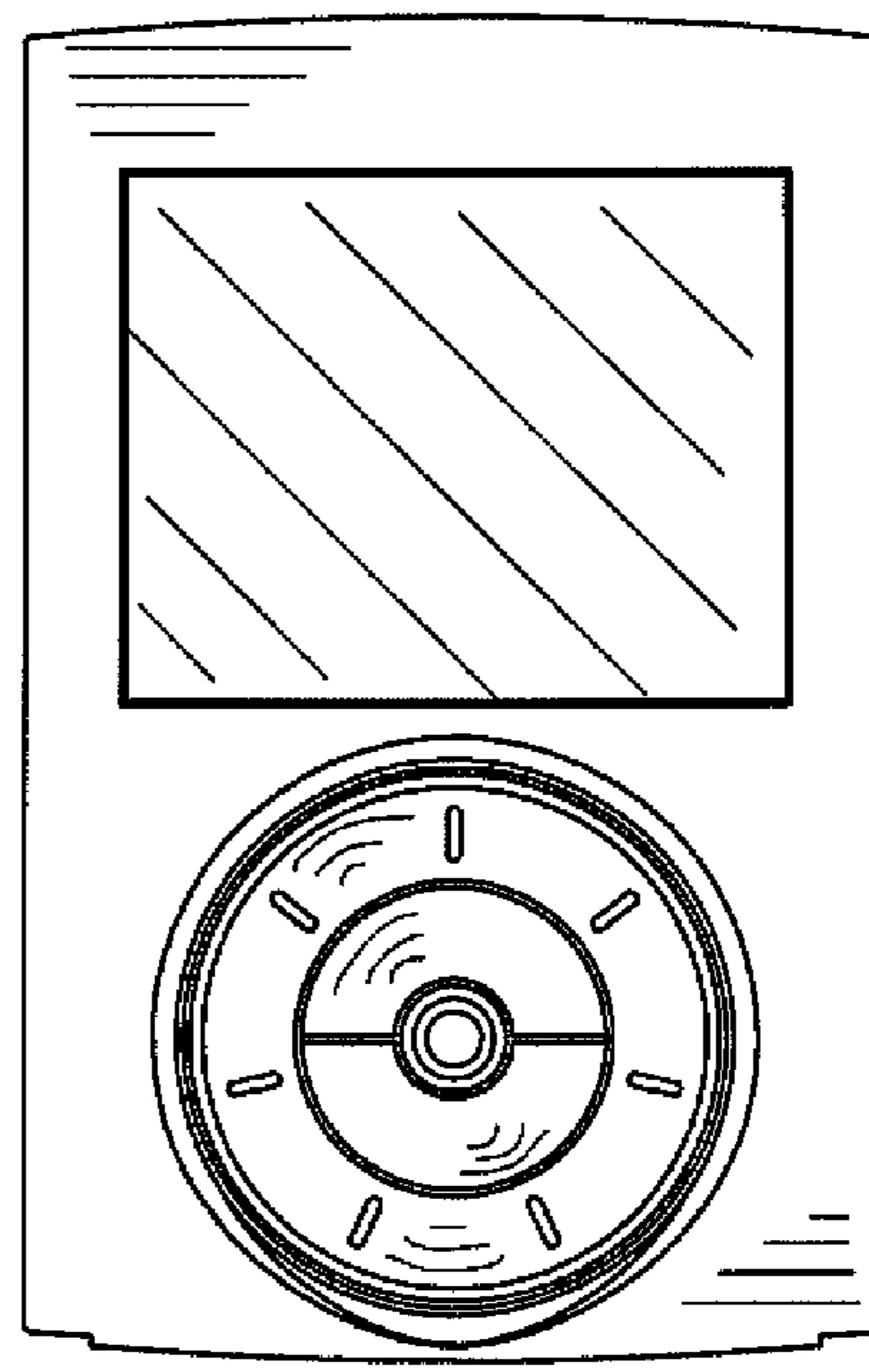


Figure 17

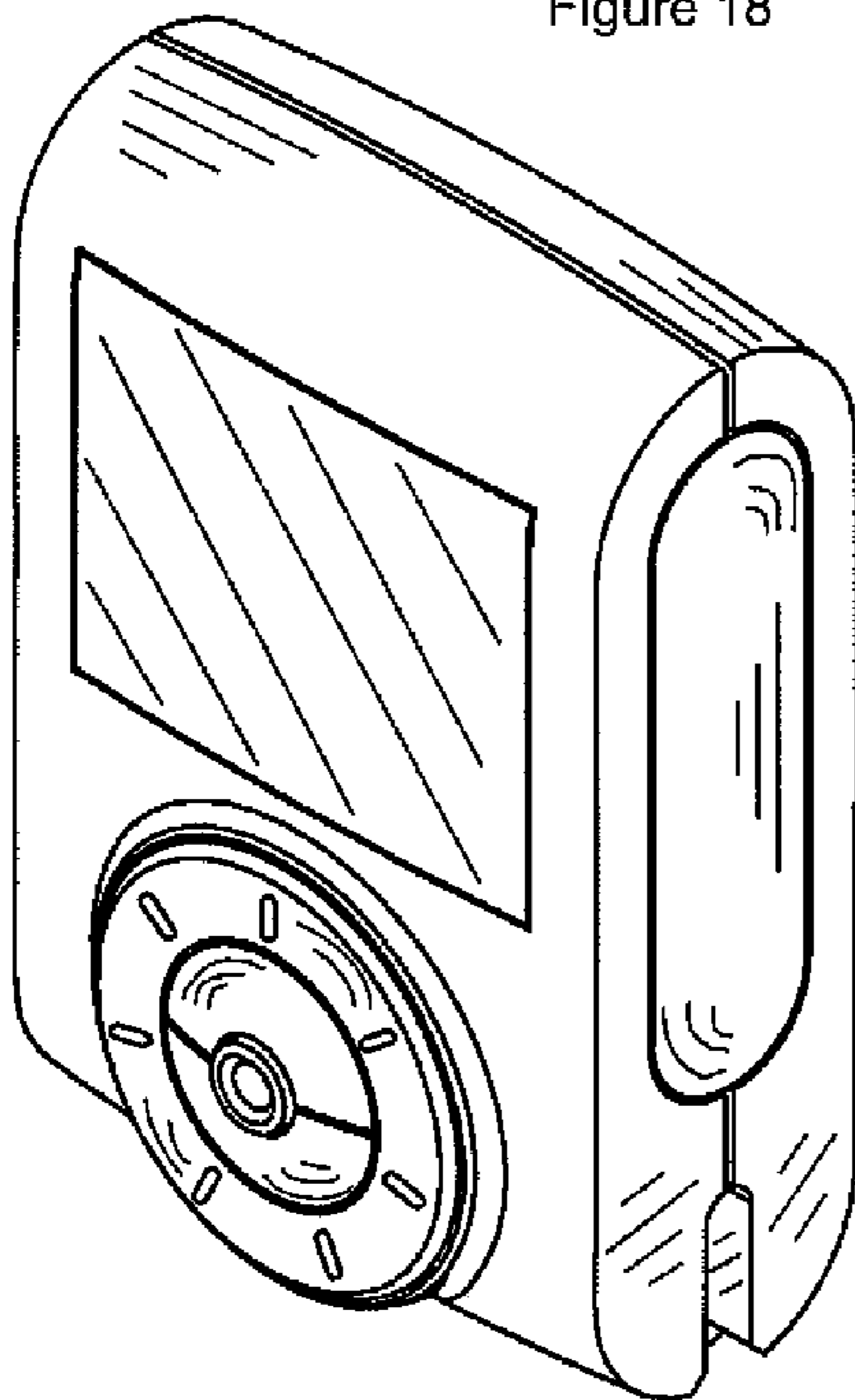


Figure 18

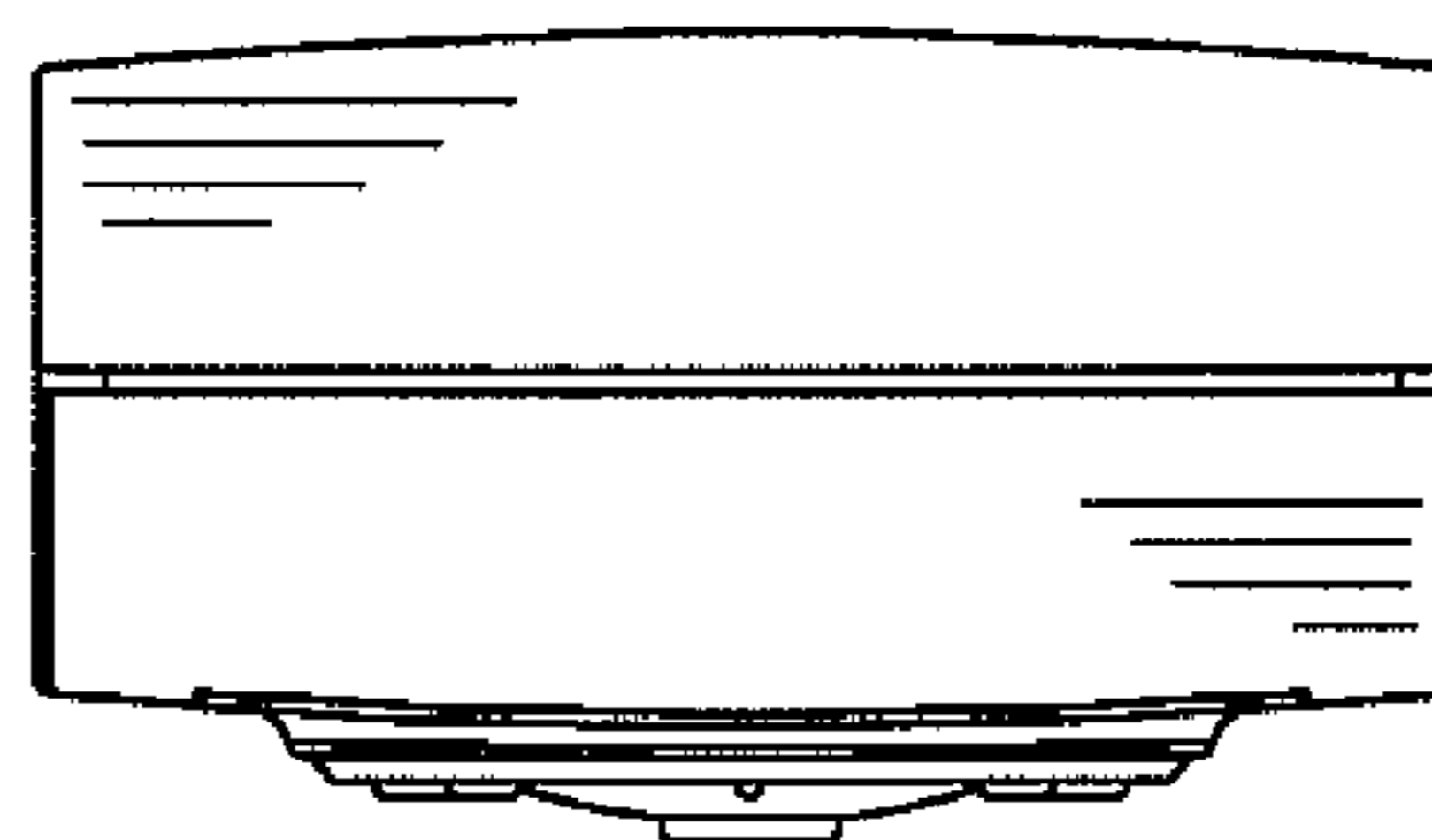


Figure 19