



US00D559843S

(12) **United States Design Patent**
Takamori et al.

(10) **Patent No.:** **US D559,843 S**
(45) **Date of Patent:** **** Jan. 15, 2008**

- (54) **PORTABLE TELEPHONE**
- (75) Inventors: **Satoshi Takamori**, Shiga (JP); **Masami Nishida**, Osaka (JP)
- (73) Assignee: **Omron Corporation**, Kyoto (JP)
- (**) Term: **14 Years**
- (21) Appl. No.: **29/273,793**
- (22) Filed: **Mar. 14, 2007**

Related U.S. Application Data

- (62) Division of application No. 29/237,711, filed on Sep. 7, 2005, now Pat. No. Des. 544,852.

Foreign Application Priority Data

- (30) Mar. 7, 2005 (JP) 2005-006498
- Mar. 7, 2005 (JP) 2005-006499
- Mar. 7, 2005 (JP) 2005-006500
- Mar. 7, 2005 (JP) 2005-006501

- (51) **LOC (8) Cl.** **14-03**
- (52) **U.S. Cl.** **D14/248**
- (58) **Field of Classification Search** D14/137, D14/138, 147, 218, 247-248, 341-347, 496; D8/323, 327, 328, 329; 455/90.3, 556.1, 455/556.2, 575.1, 575.3, 575.4; 379/433.01-433.13; 361/814; 348/14.02
See application file for complete search history.

(56) **References Cited**

U.S. PATENT DOCUMENTS

- 1,495,076 A * 5/1924 Hubbard 16/379
- 3,027,592 A 4/1962 Schnur
- D302,549 S 8/1989 Wright
- D306,294 S * 2/1990 Watanabe D14/148
- D315,731 S * 3/1991 Watanabe D14/148
- D317,759 S 6/1991 Azima
- D319,441 S 8/1991 Konno et al.
- D326,091 S * 5/1992 Kikuchi D14/138
- D326,092 S * 5/1992 Kikuchi et al. D14/138

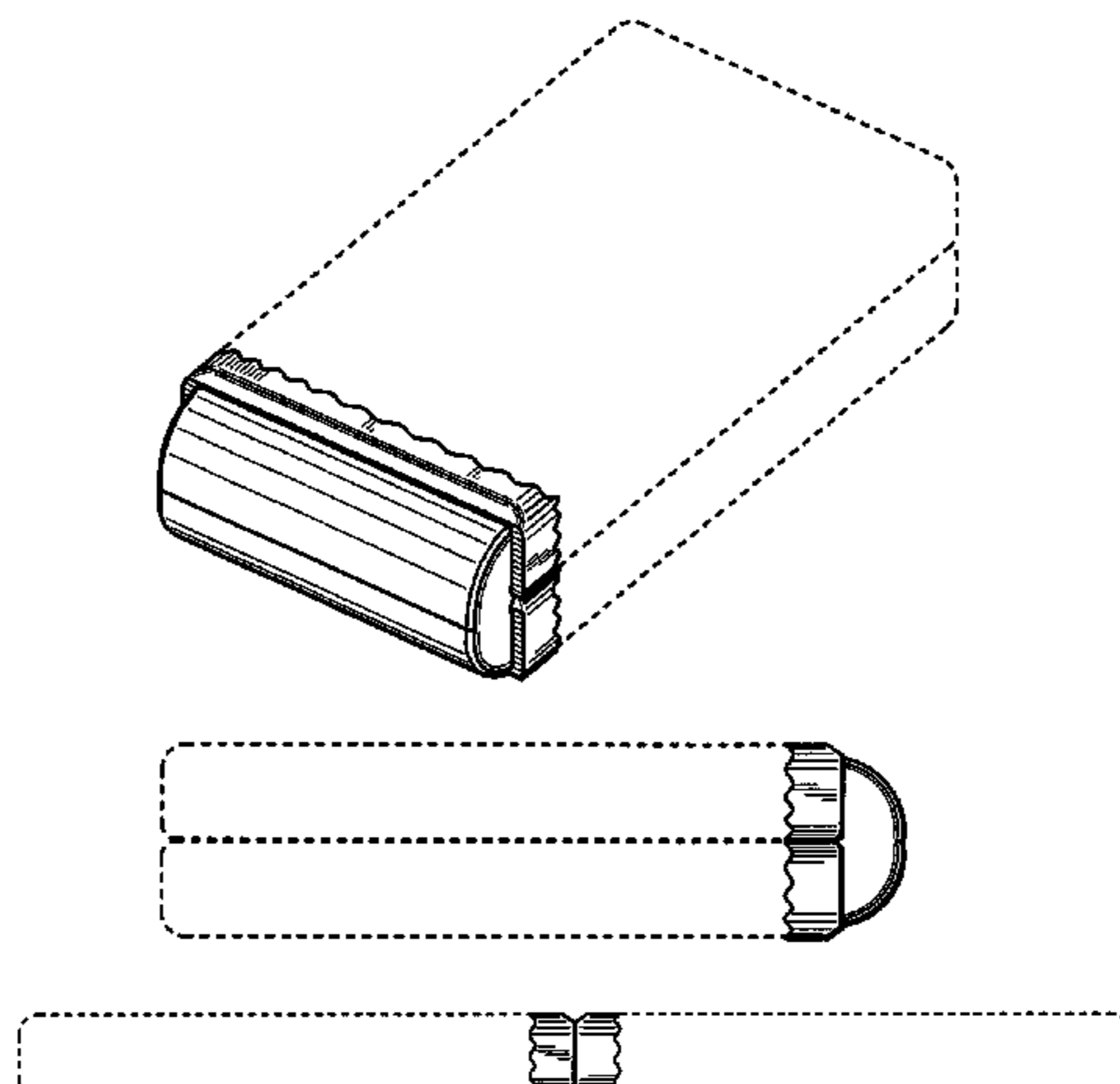
- D332,945 S 2/1993 Savio
- D345,734 S 4/1994 Seymour et al.
- D358,149 S * 5/1995 Fellingner D14/138
- 5,493,690 A 2/1996 Shimazaki
- D391,954 S 3/1998 Kawashima
- D418,736 S * 1/2000 Perkins et al. D8/328
- D422,595 S * 4/2000 Taylor et al. D14/240
- D459,326 S 6/2002 Nagai et al.
- D477,293 S 7/2003 Hwang
- D488,454 S 4/2004 Lee
- D496,017 S 9/2004 Hsu et al.
- D496,643 S 9/2004 Yoo et al.
- D507,251 S 7/2005 Burns et al.
- D507,551 S 7/2005 Kim et al.
- D508,035 S 8/2005 Kim et al.
- D512,975 S 12/2005 Tsai et al.
- D517,039 S 3/2006 Lee
- D519,966 S 5/2006 Salmi et al.
- D522,989 S 6/2006 Viitasaari
- D525,229 S 7/2006 Friesen et al.
- D532,280 S * 11/2006 Huml D8/327
- D532,767 S 11/2006 Yoshino et al.
- 2003/0092401 A1 5/2003 Ikeuchi
- 2003/0109232 A1 6/2003 Park et al.
- 2003/0181225 A1 9/2003 Hasegawa et al.
- 2003/0205001 A1 * 11/2003 Williams et al. 49/383
- 2004/0142721 A1 7/2004 Kim
- 2004/0180703 A1 9/2004 Kim et al.
- 2004/0204060 A1 10/2004 Makinouchi et al.
- 2006/0198513 A1 9/2006 Eldon

OTHER PUBLICATIONS

- Alcatel OT-S850, announced 2nd quarter 2005, [online], [retrieved on Nov. 28, 2006]. Retrieved from Internet, <URL:http://www.gsmarena.com>.
- BenQ-Siemens EF71, announced May 2006, [online], [retrieved on Nov. 28, 2006]. Retrieved from Internet, <URL:http://www.gsmarena.com>.
- BenQ-Siemens EF81, announced Jan. 2006, [online], [retrieved on Nov. 28, 2006]. Retrieved from Internet, <URL:http://www.gsmarena.com>.
- SHarp GX29, announced Feb. 2006, [online], [retrieved on Nov. 28, 2006]. Retrieved from Internet, <URL:http://www.gsmarena.com>.

* cited by examiner

Primary Examiner—Jeffrey Asch
Assistant Examiner—Bridget L Eland



(74) *Attorney, Agent, or Firm*—Harness, Dickey & Pierce, P.L.C.

(57) **CLAIM**

The ornamental design for a portable telephone, as shown and described.

DESCRIPTION

FIG. 1 is a bottom, rear and right side perspective view of a portable telephone showing an embodiment of our new design;

FIG. 2 is a front elevational view thereof;

FIG. 3 is a rear elevational view thereof;

FIG. 4 is a top plan view thereof;

FIG. 5 is a bottom plan view thereof;

FIG. 6 is a right side elevational view thereof;

FIG. 7 is a left side elevational view thereof;

FIG. 8 is a bottom, rear and right side perspective view showing a condition, in which the display-side housing is opened at a substantially right angle to the operation-side housing;

FIG. 9 is a bottom, rear and right side perspective view showing a condition, in which the display-side housing is opened at a substantially right angle to the operation-side housing;

FIG. 10 is a front elevational view showing a condition, in which the display-side housing is opened at a substantially right angle to the operation-side housing;

FIG. 11 is a rear elevational view showing a condition, in which the display-side housing is opened at a substantially right angle to the operation-side housing;

FIG. 12 is a top plan view showing a condition, in which the display-side housing is opened at a substantially right angle to the operation-side housing;

FIG. 13 is a bottom plan view showing a condition, in which the display-side housing is opened at a substantially right angle to the operation-side housing;

FIG. 14 is a front side elevational view showing a condition, in which the display-side housing is opened at a substantially right angle to the operation side housing;

FIG. 15 is a rear side elevational view showing a condition, in which the display-side housing is opened at a substantially right angle to the operation-side housing;

FIG. 16 is a bottom, and left side perspective view showing a condition, in which the display-side housing is opened;

FIG. 17 is a top, and left side perspective view showing a condition, in which the display-side housing is opened;

FIG. 18 is an interior elevational view showing a condition, in which the display-side housing is opened;

FIG. 19 is an exterior elevational view showing a condition, in which the display-side housing is opened;

FIG. 20 is a top plan view showing a condition, in which the display-side housing is opened;

FIG. 21 is a bottom plan view showing a condition, in which the display-side housing is opened;

FIG. 22 is a left side elevational view showing a condition, in which the display-side housing is opened; and,

FIG. 23 is a left side elevational view showing a condition, in which the display-side housing is opened.

The broken lines shown in the drawings are for illustrative purposes only and form no part of the claimed design.

1 Claim, 14 Drawing Sheets

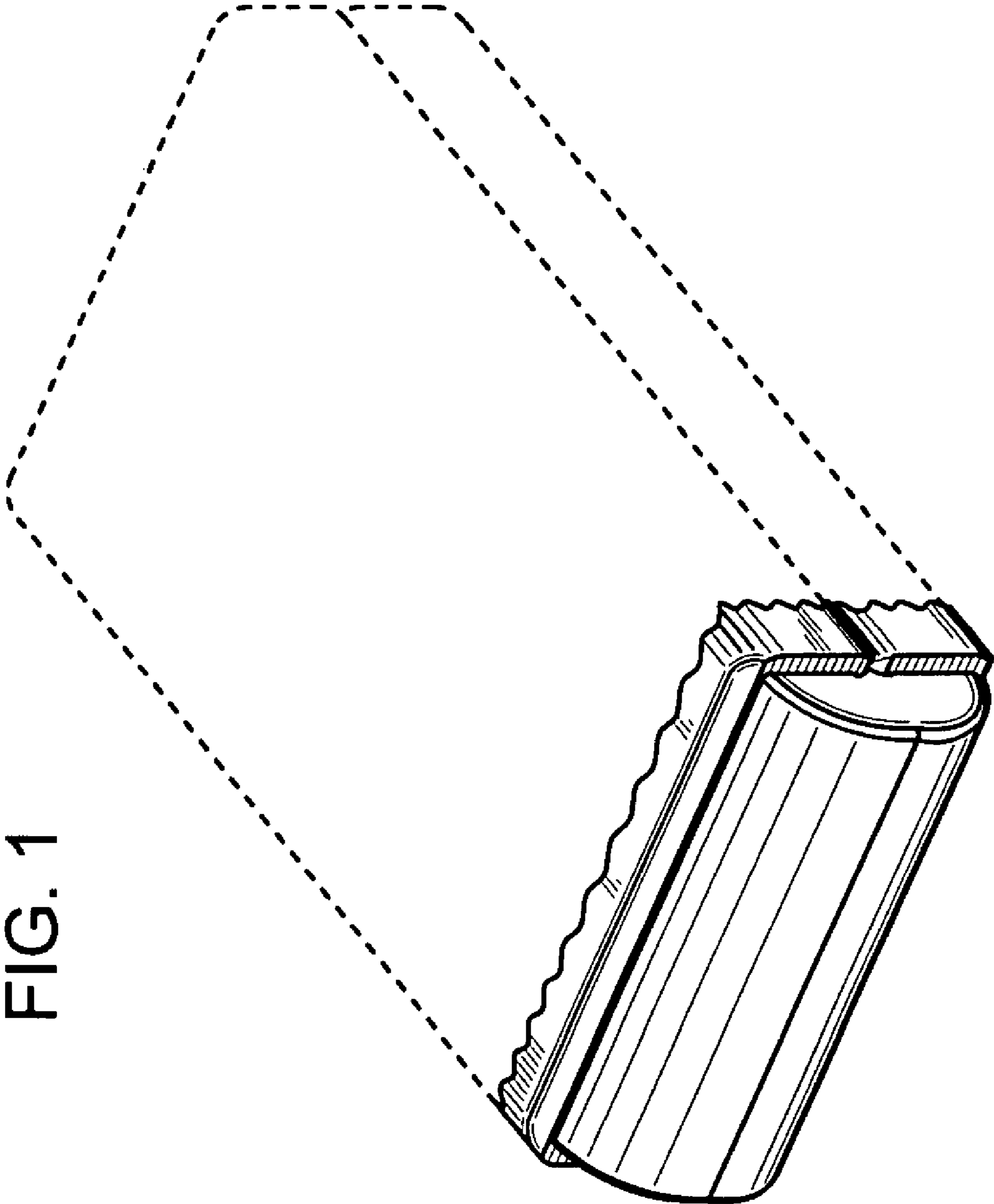


FIG. 1

FIG. 2

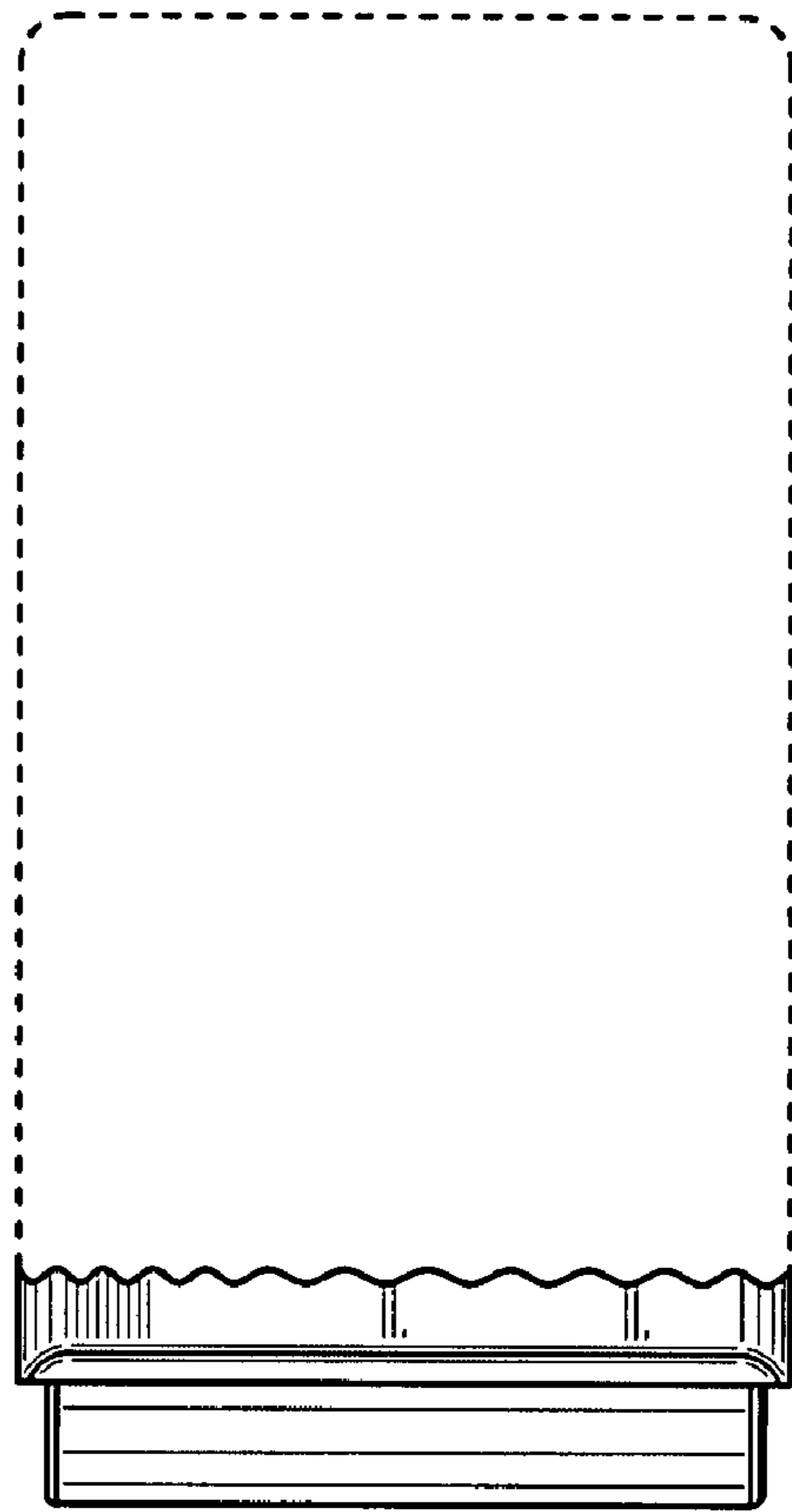
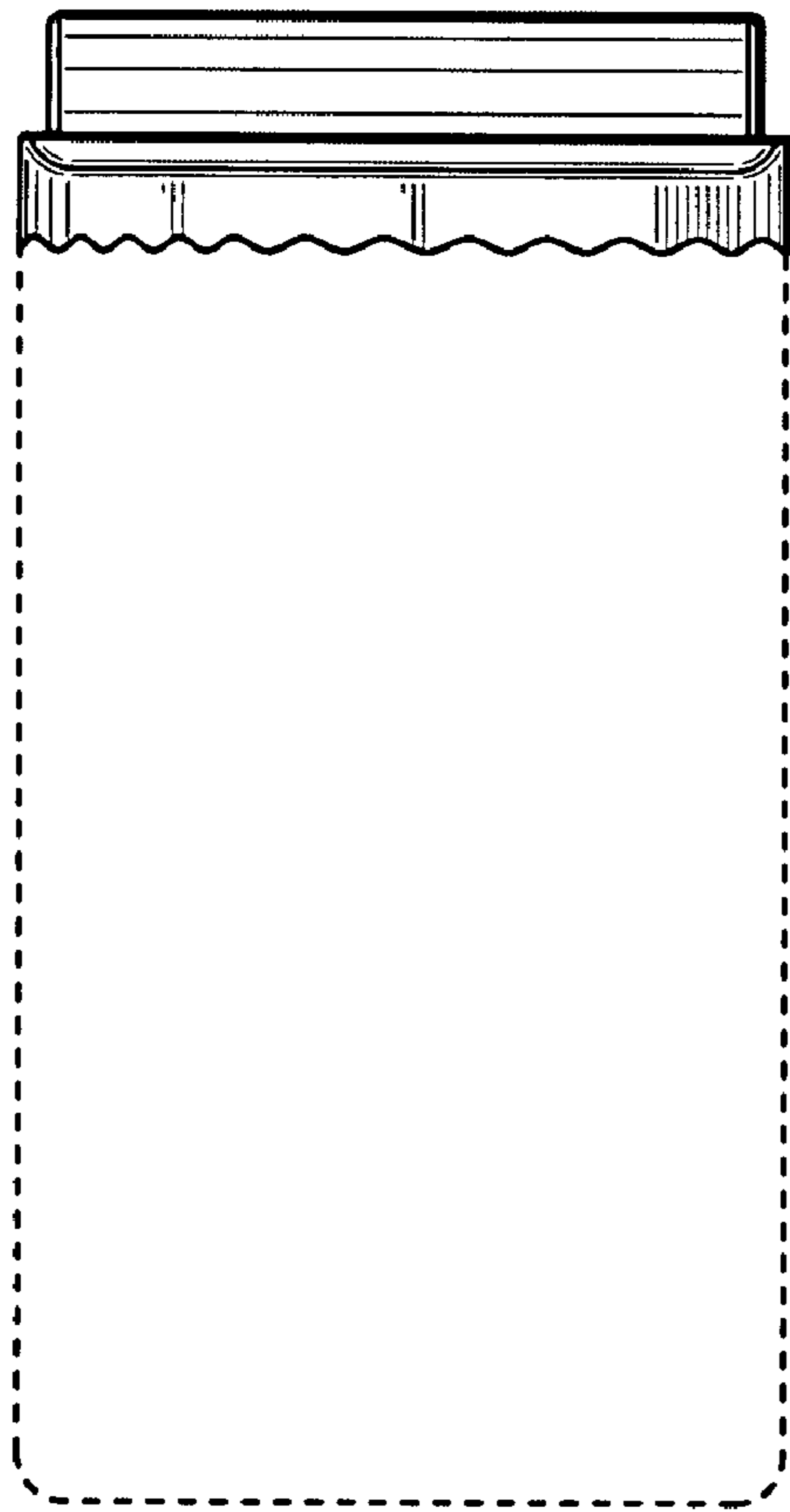


FIG. 3

FIG. 4

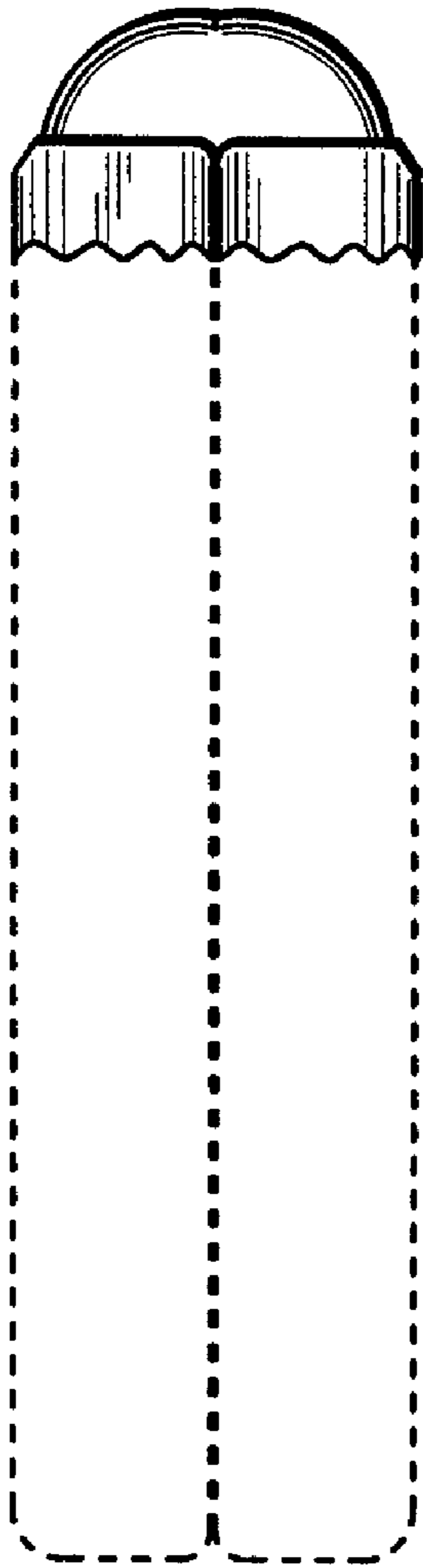
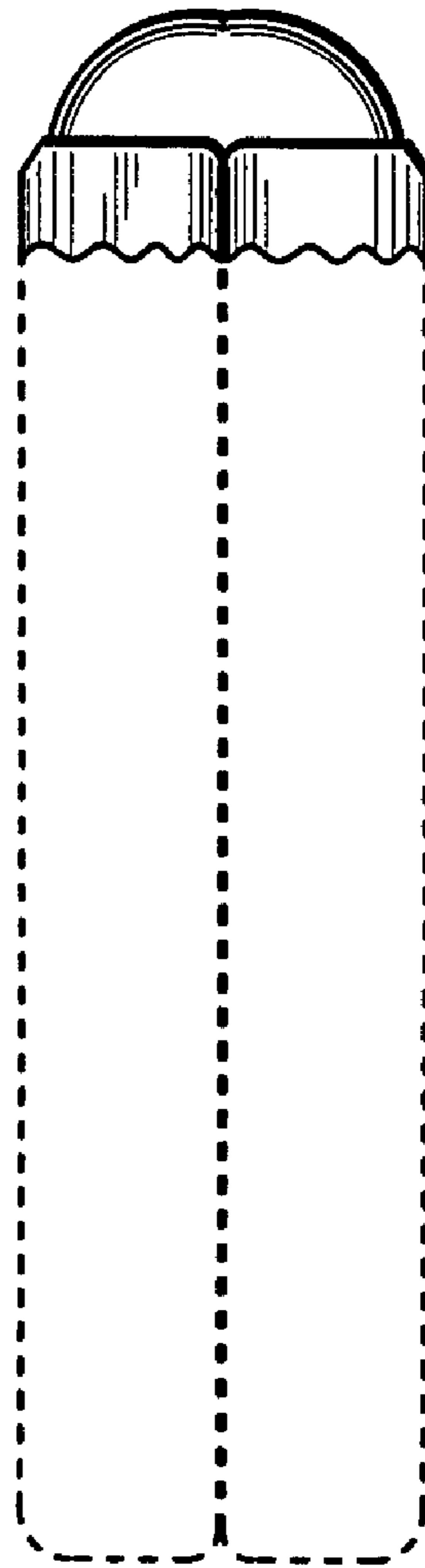


FIG. 5



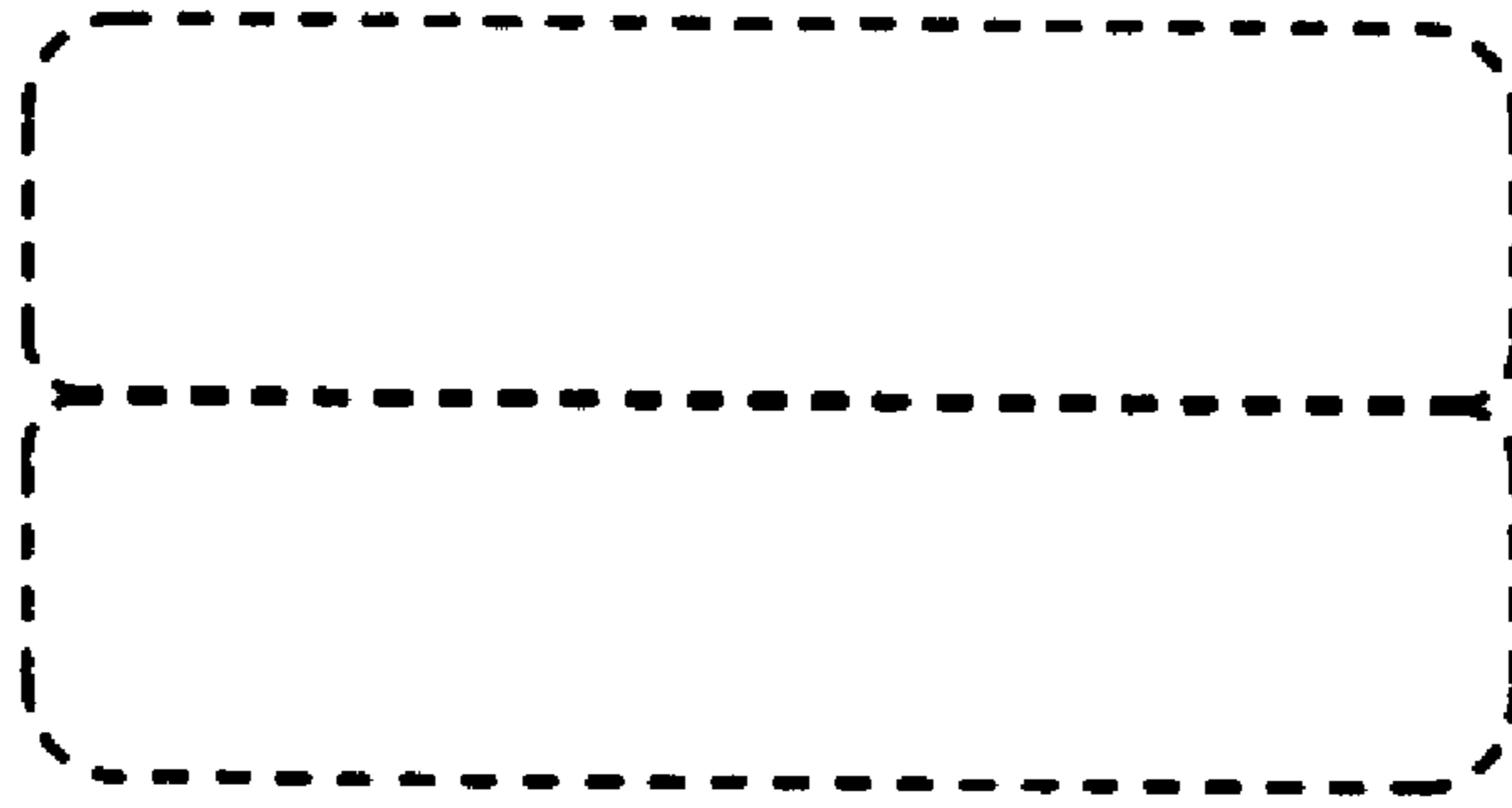


FIG. 7

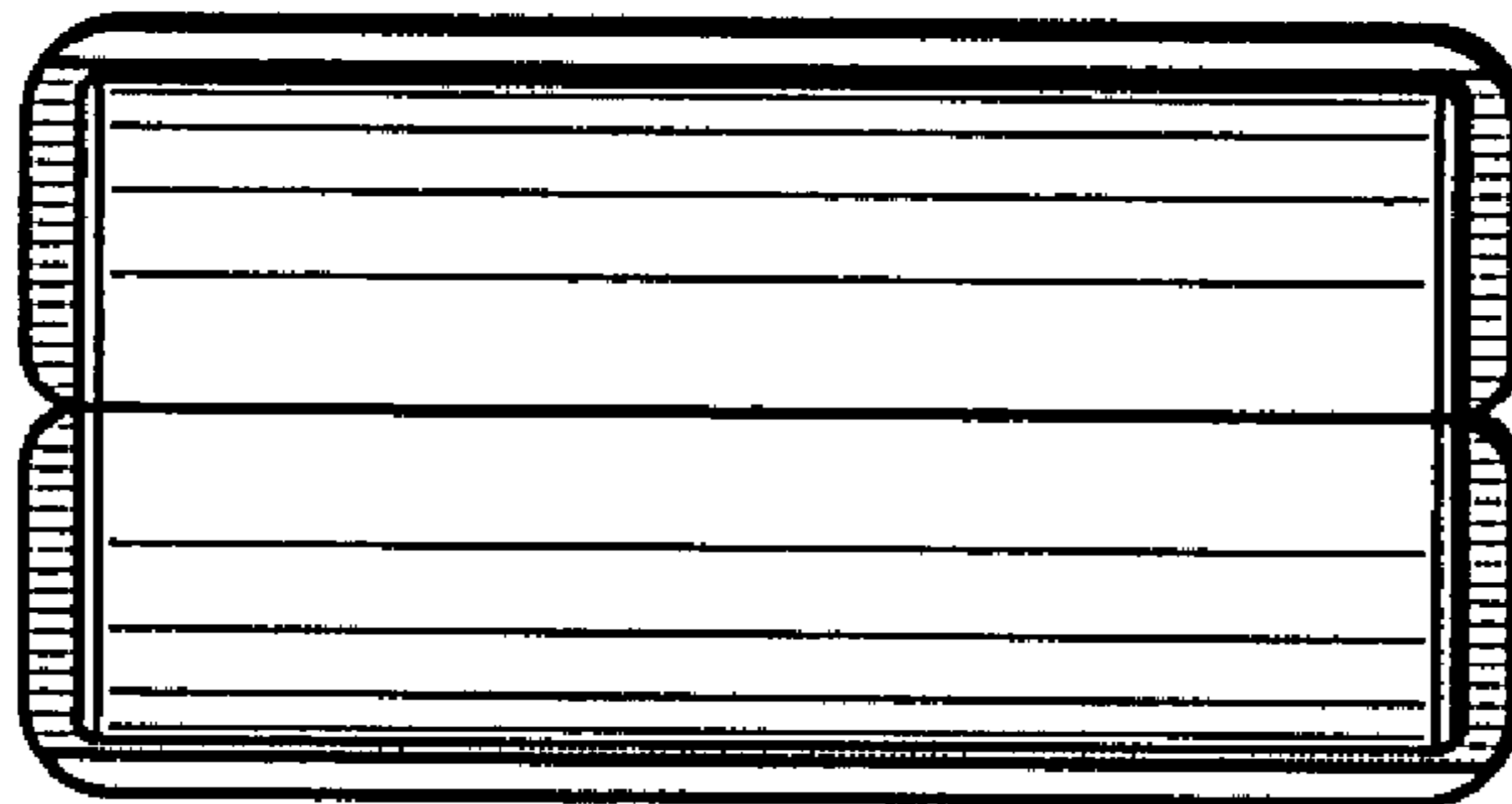
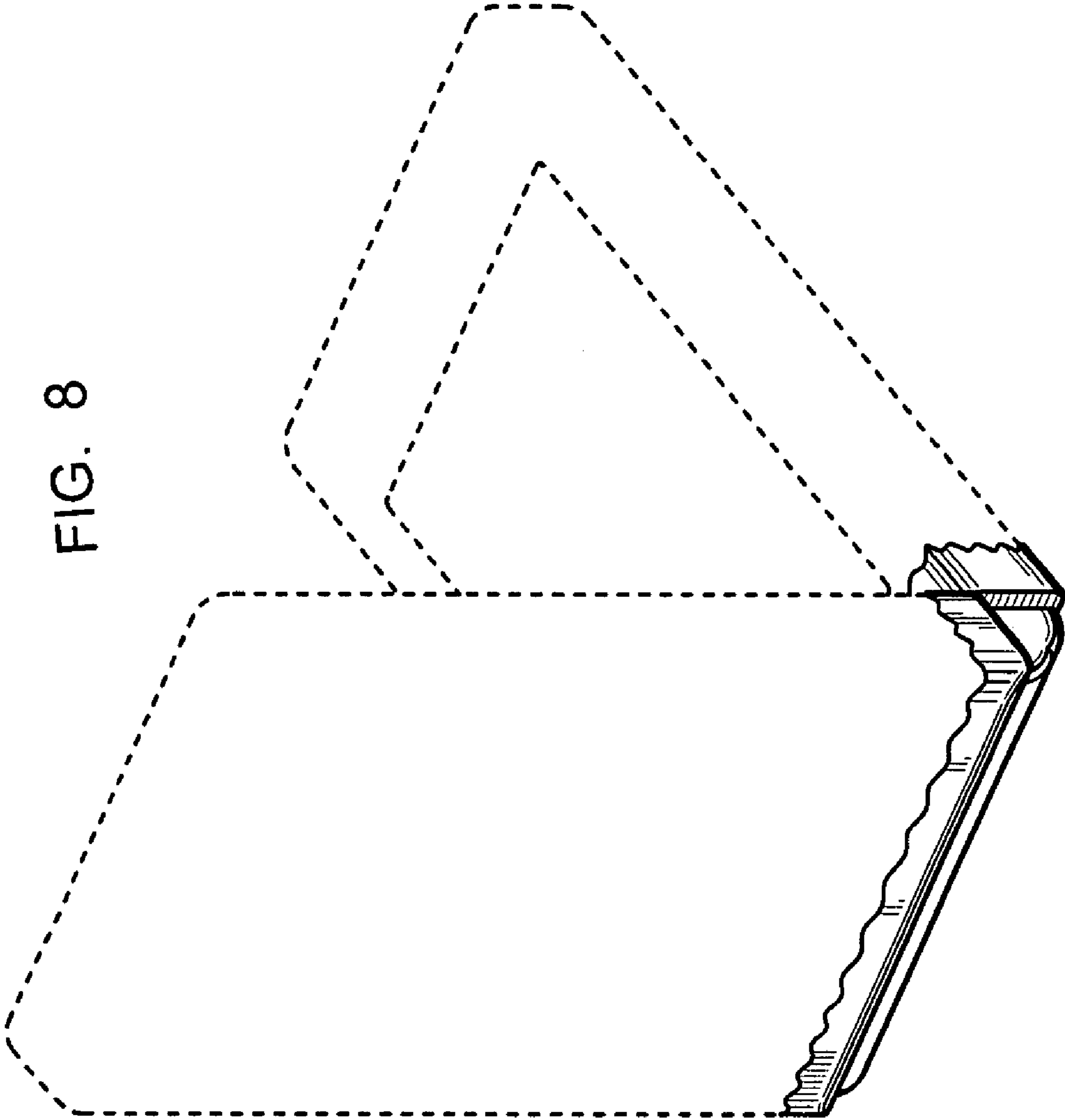


FIG. 6

FIG. 8



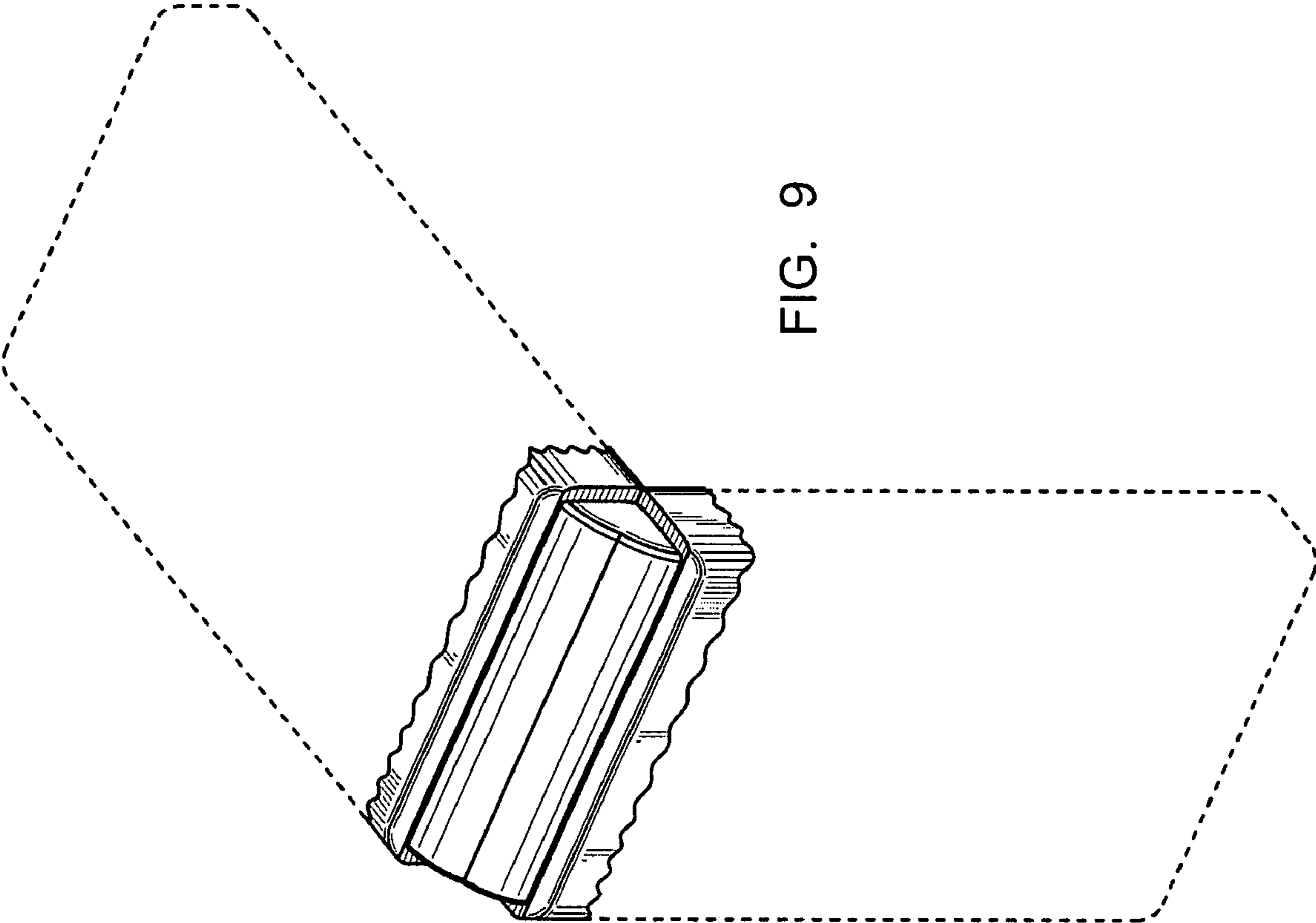


FIG. 9

FIG. 10

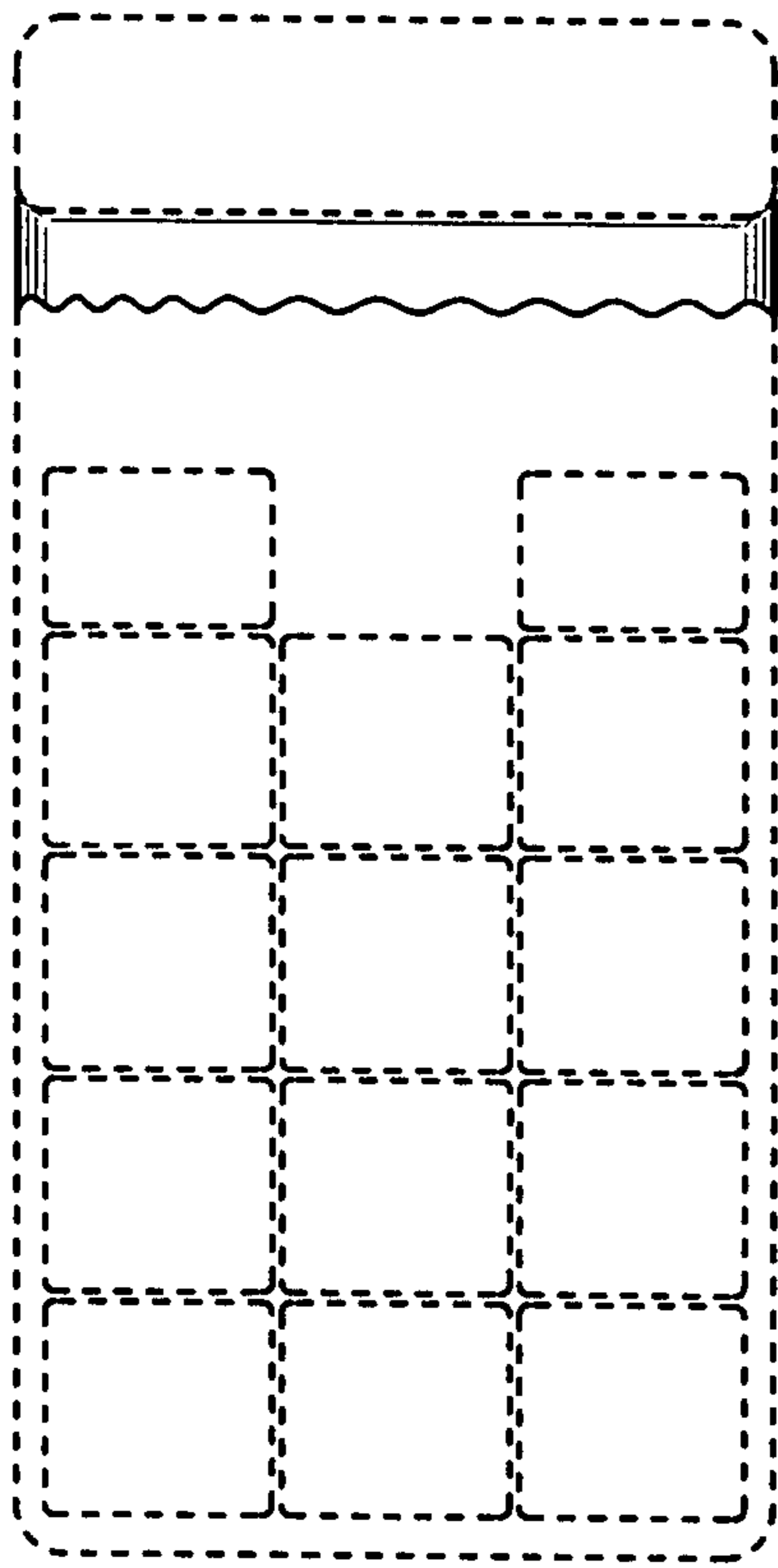
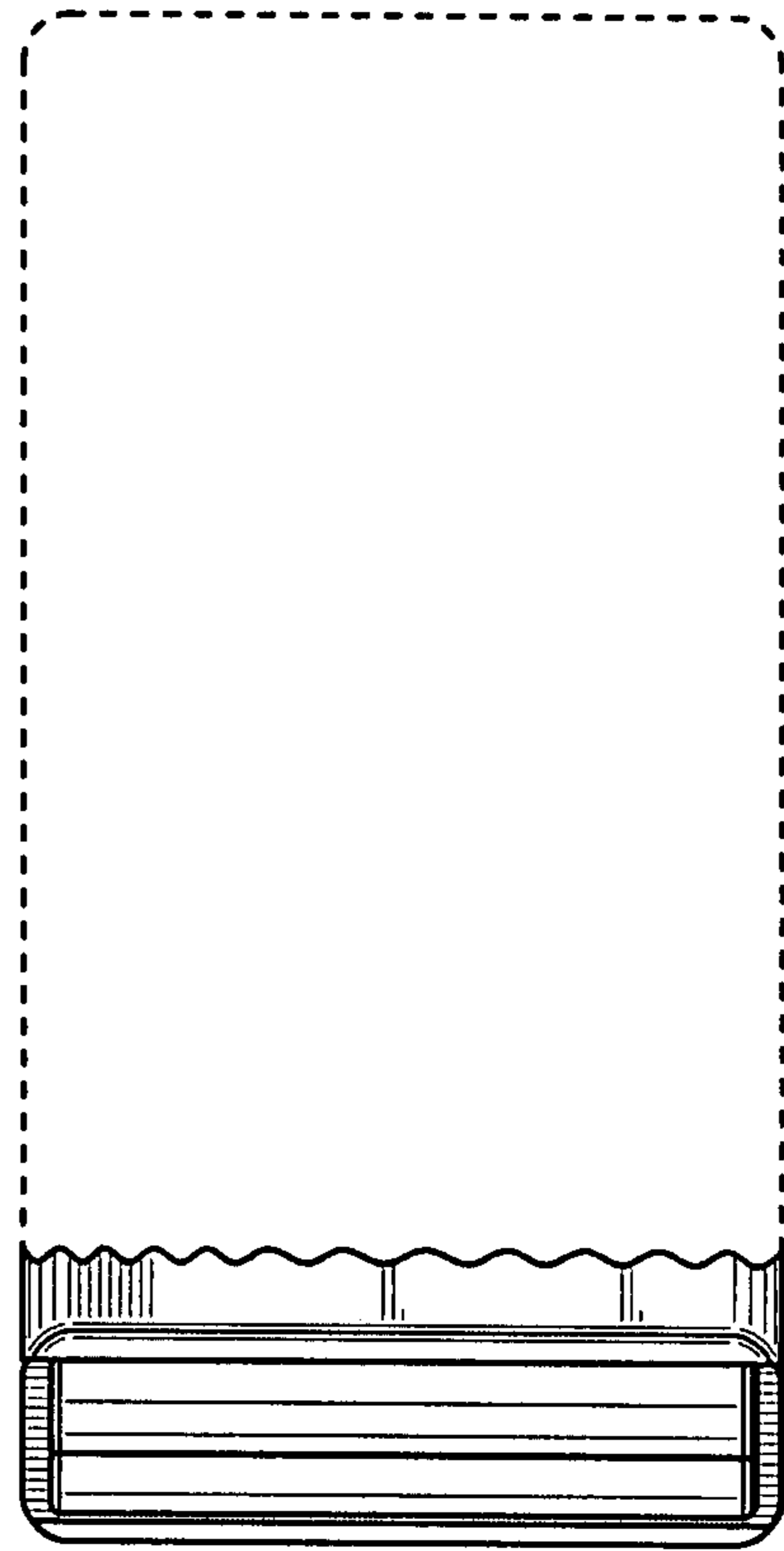


FIG. 11



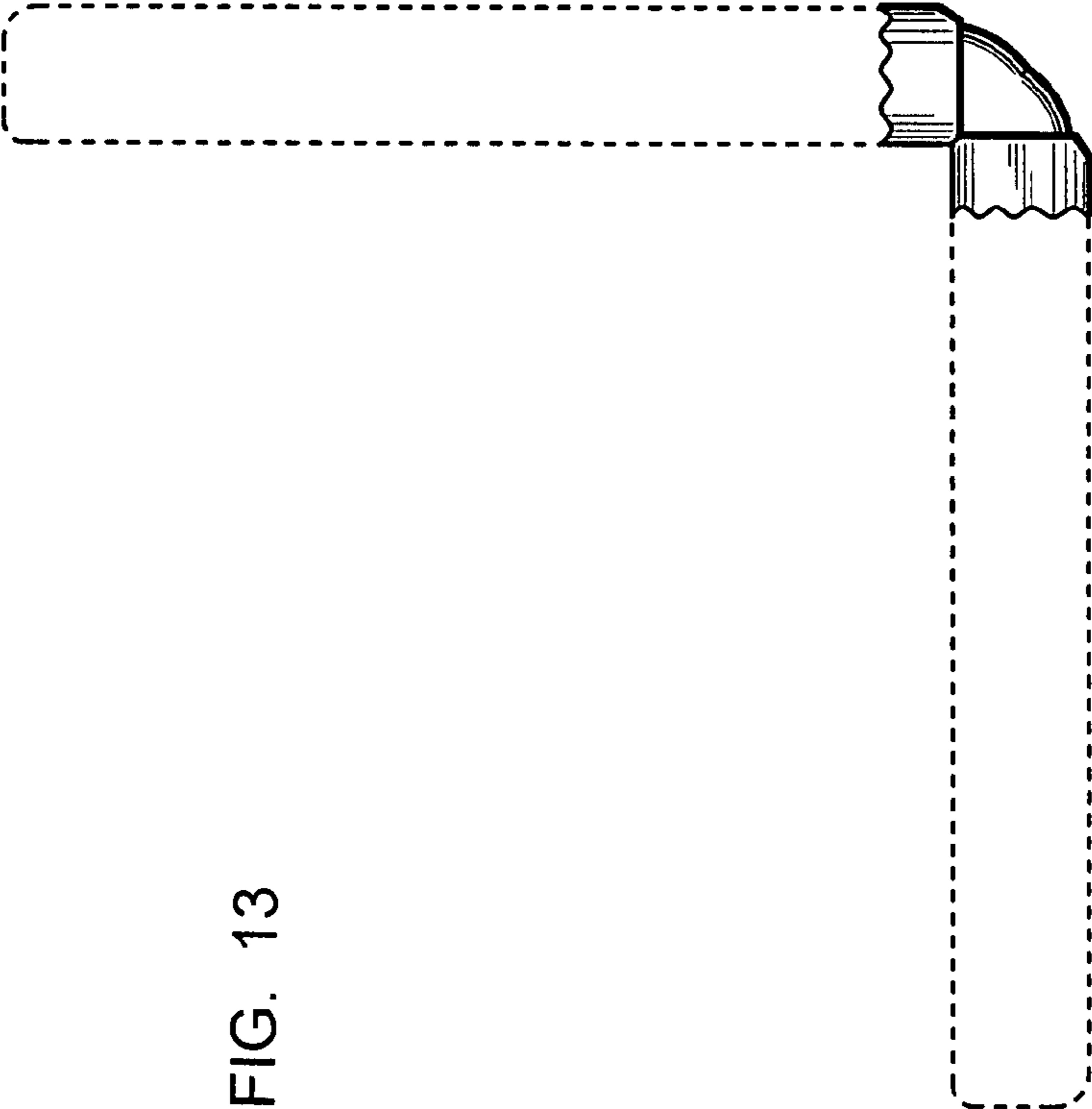


FIG. 13

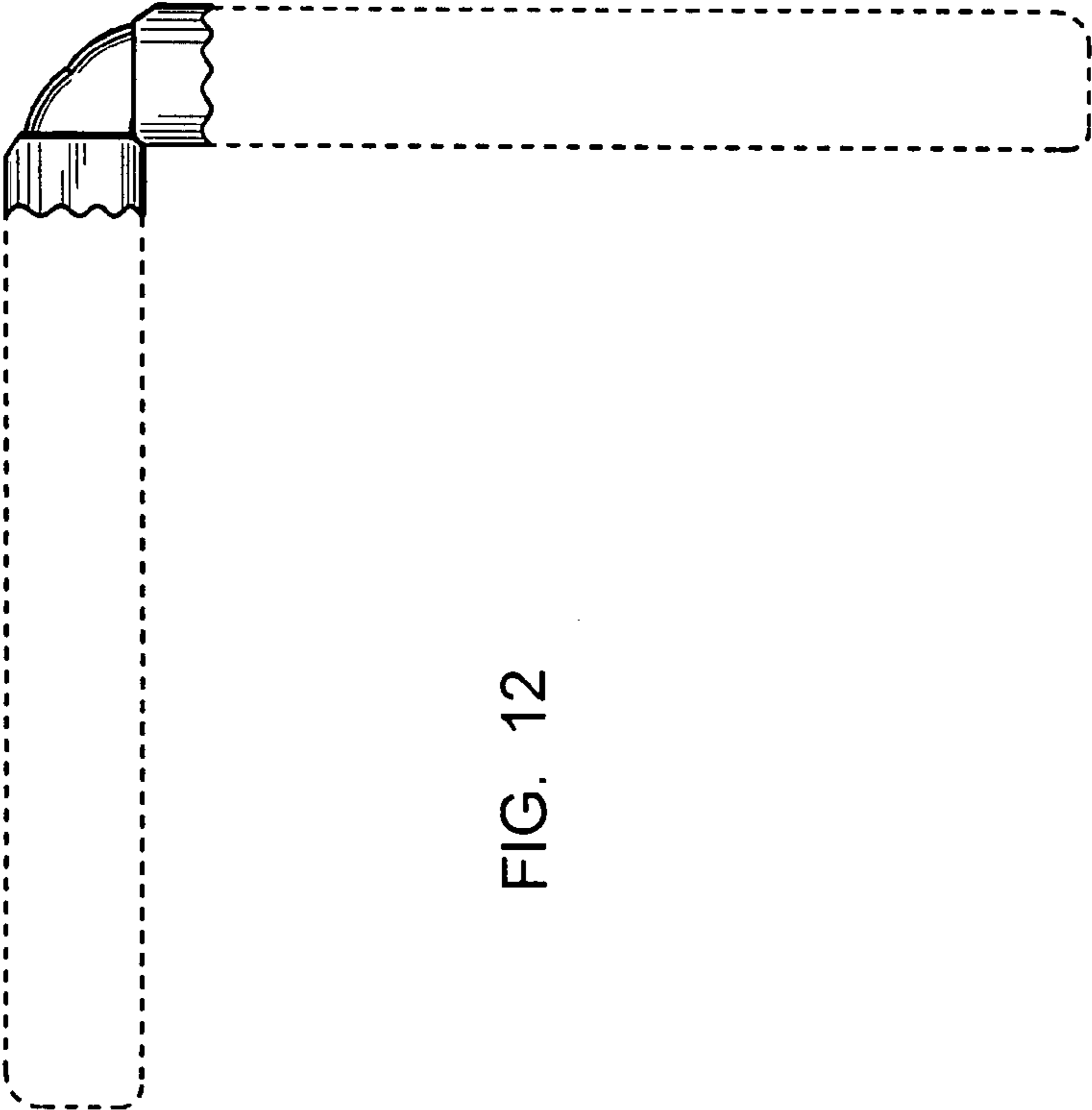


FIG. 12

FIG. 14

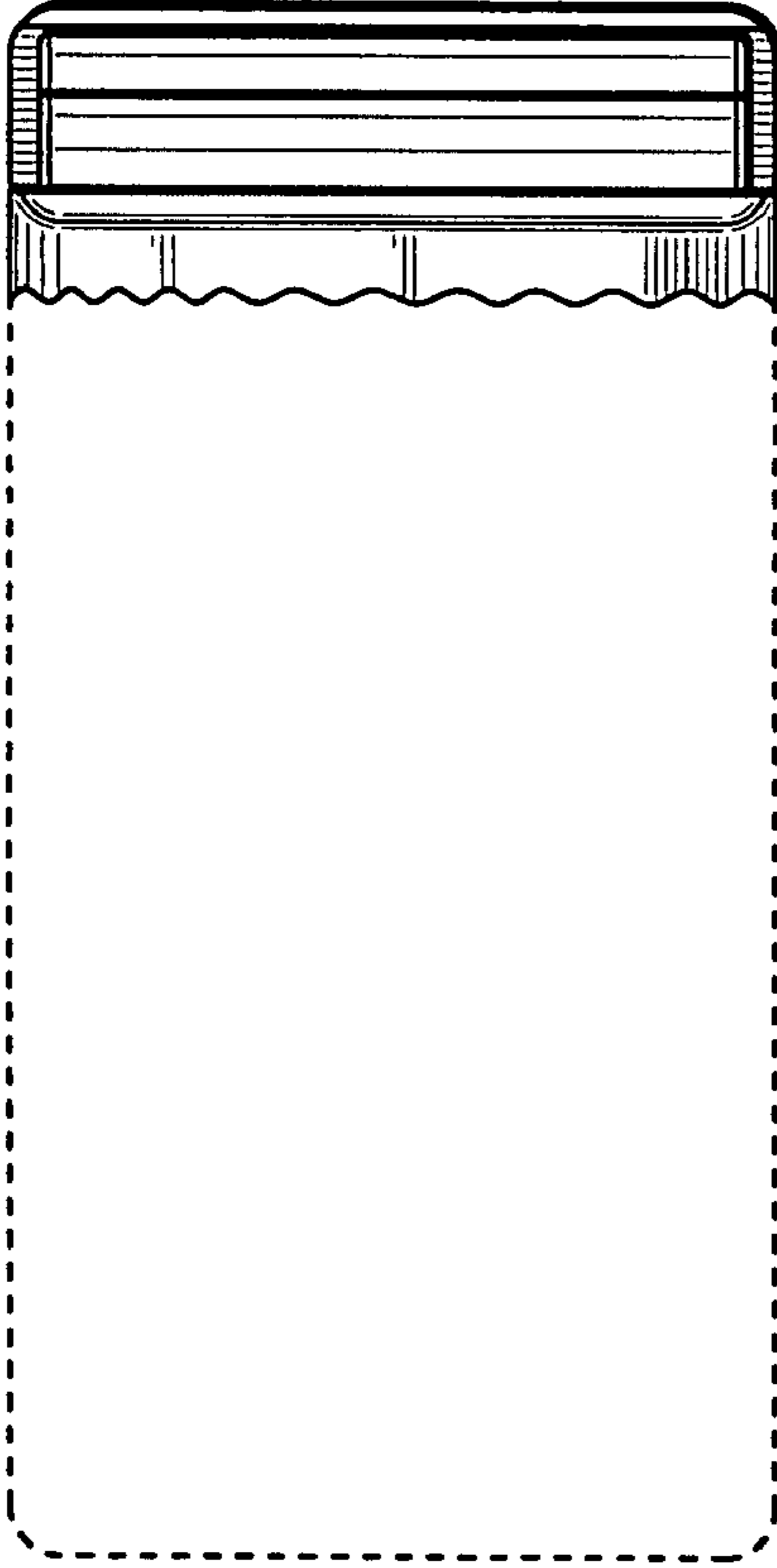
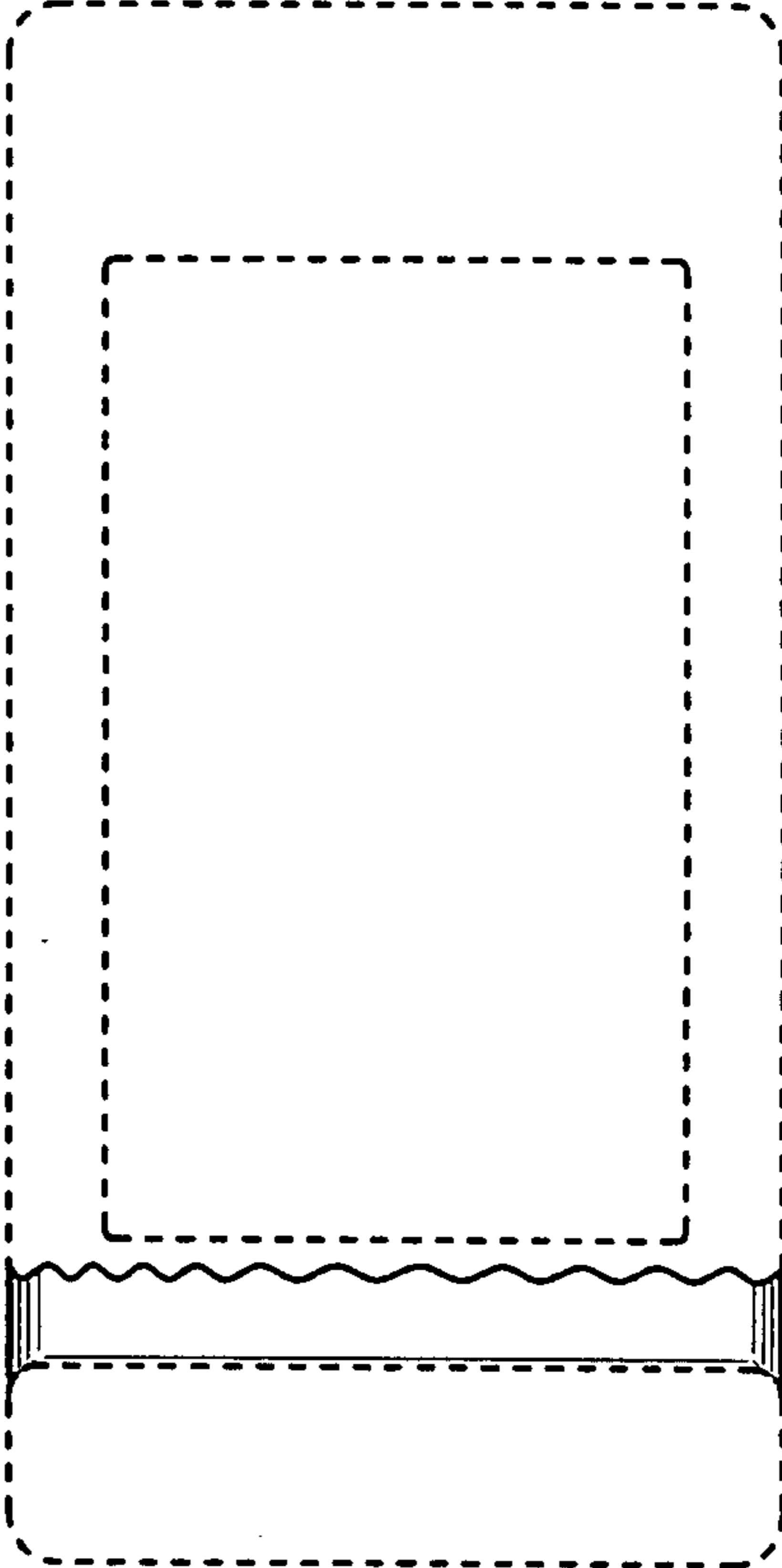


FIG. 15



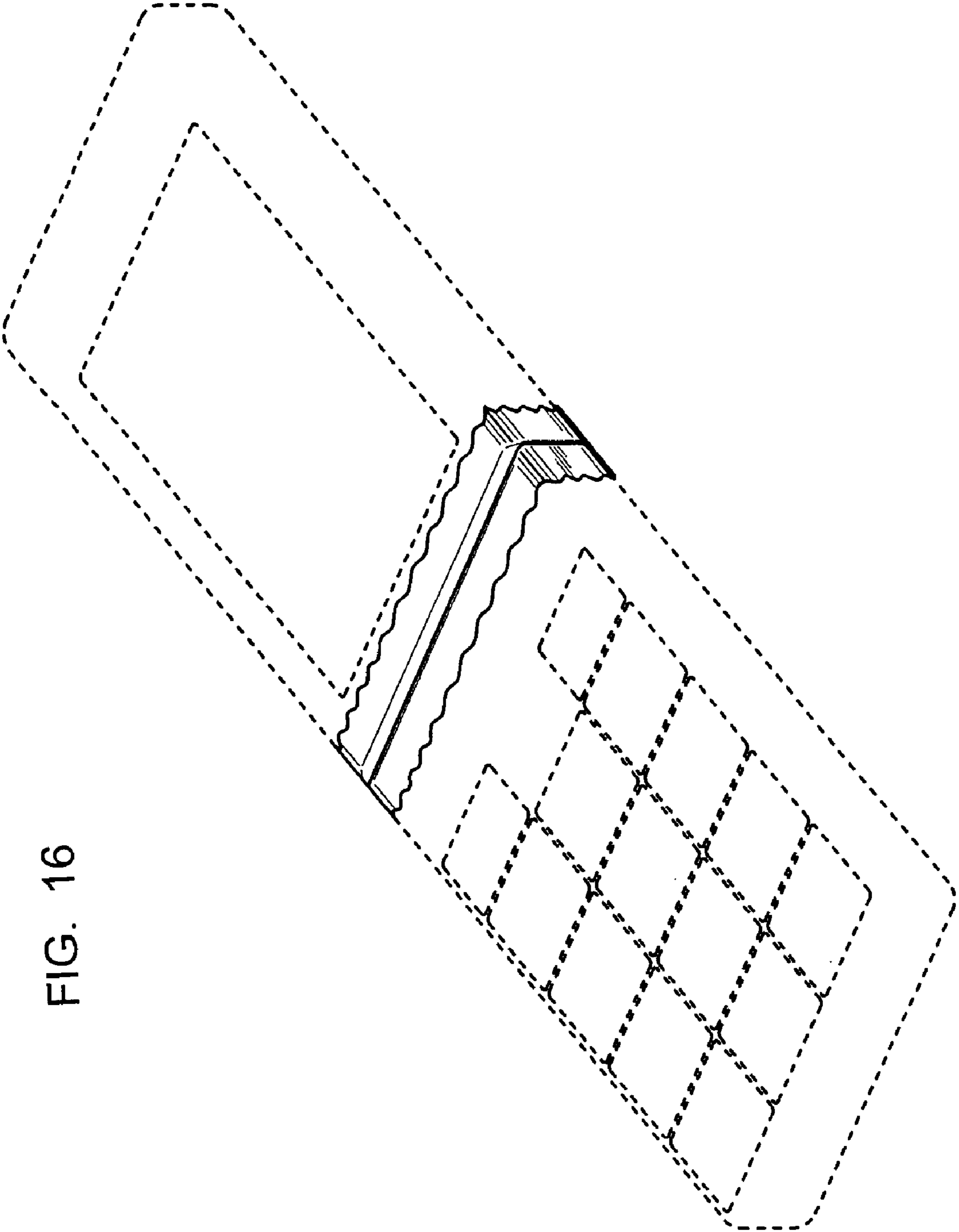


FIG. 16

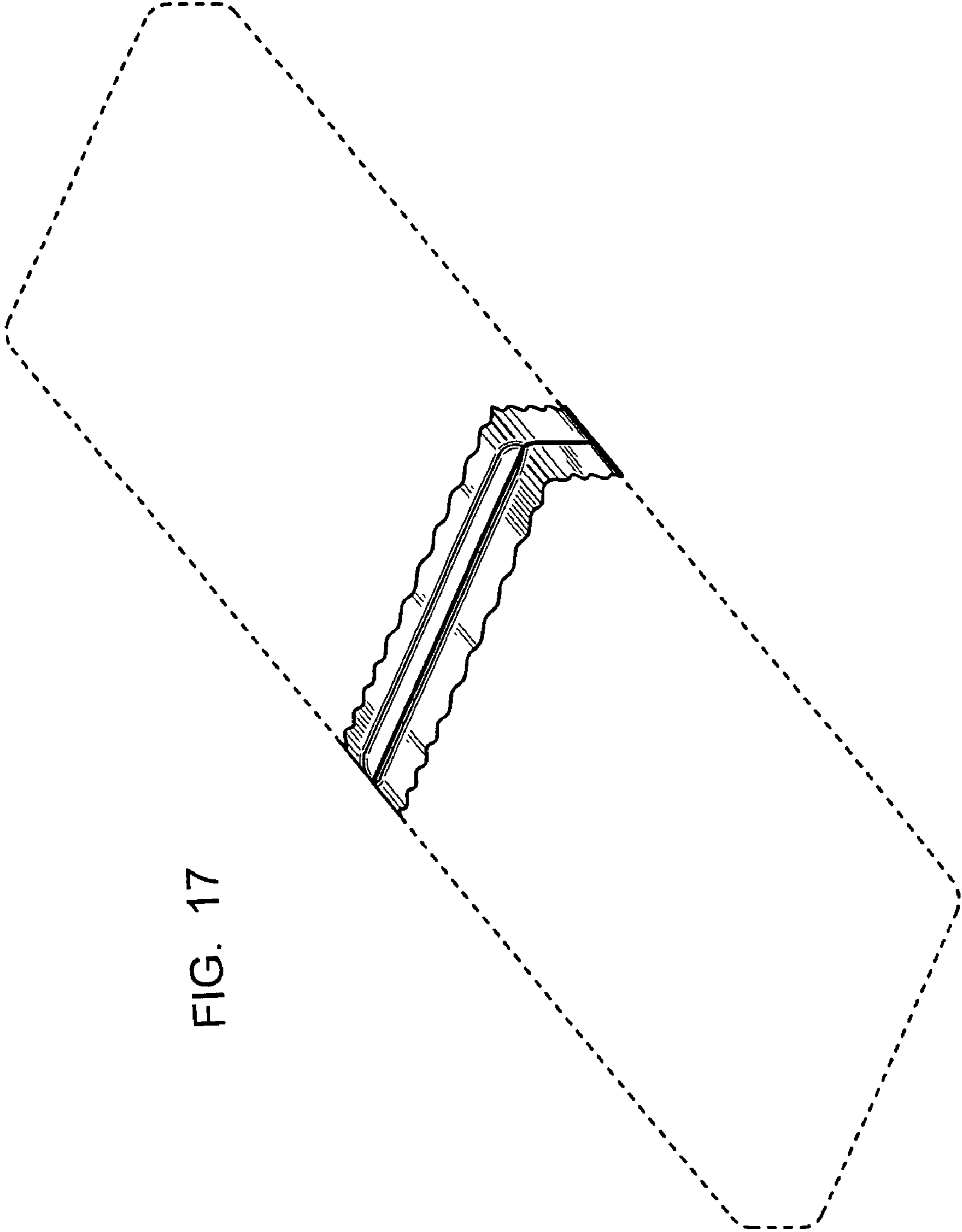


FIG. 17

FIG. 18

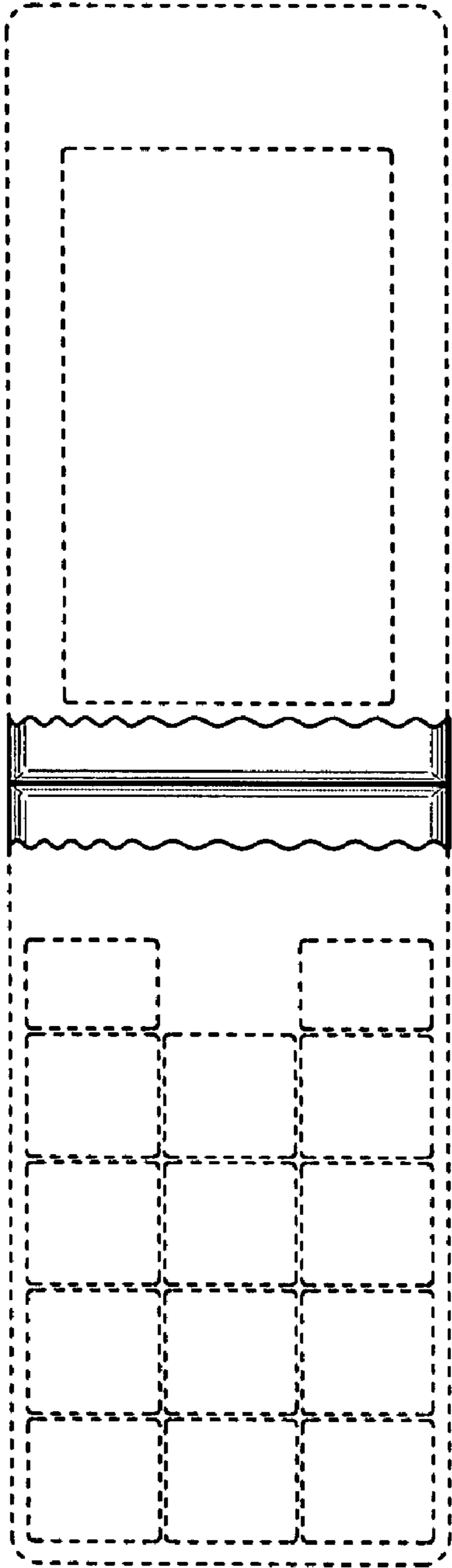


FIG. 19

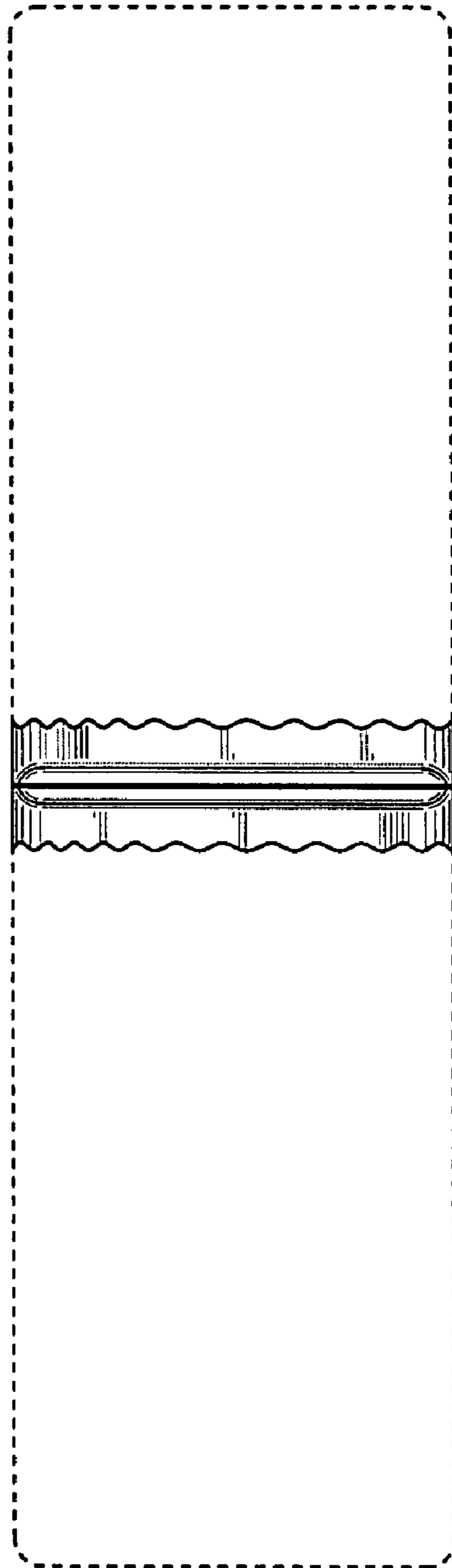


FIG. 20

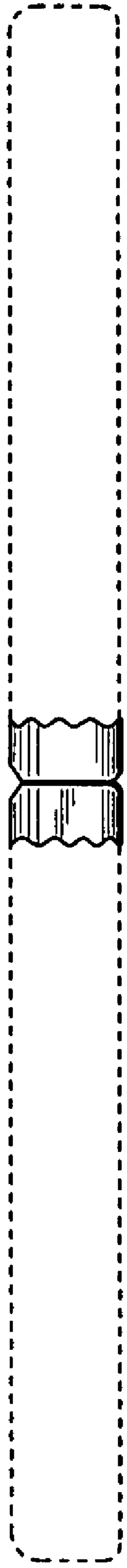
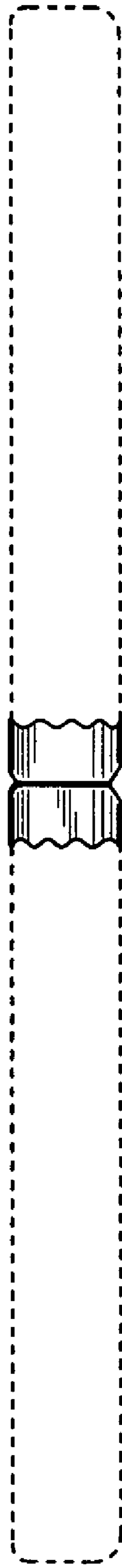


FIG. 21



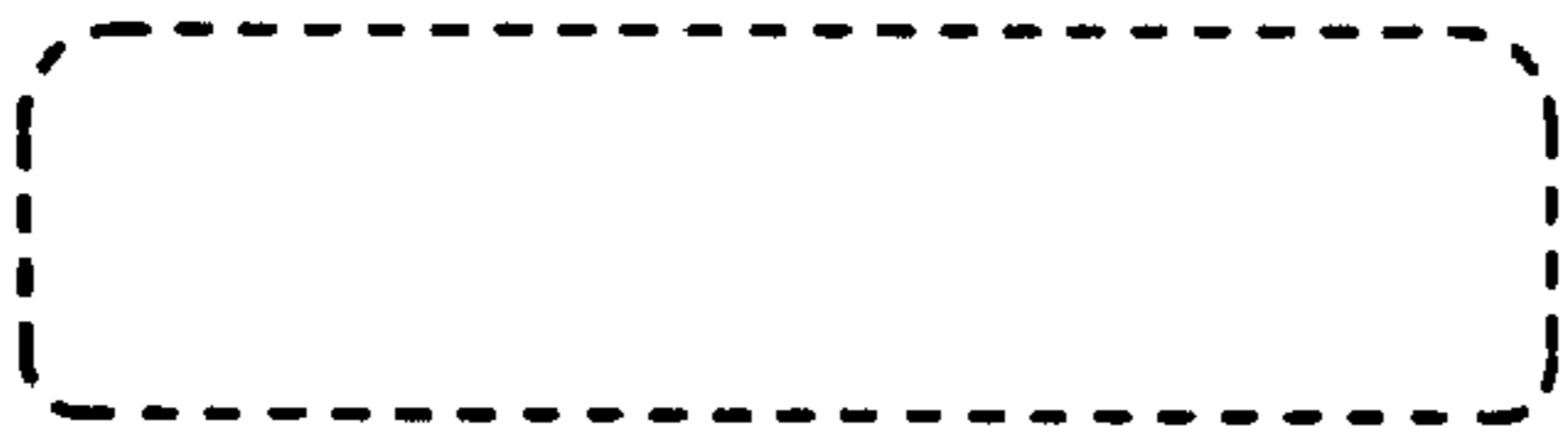


FIG. 22

FIG. 23

