



US00D559841S

(12) **United States Design Patent**  
**Liu et al.**

(10) **Patent No.:** **US D559,841 S**  
(45) **Date of Patent:** **\*\* Jan. 15, 2008**

(54) **WIRELESS ACCESS POINT**  
(75) Inventors: **Calvin Y. Liu**, Irvine, CA (US);  
**Hung-Bing Chen**, Tustin, CA (US)  
(73) Assignee: **Cisco Technology, Inc.**, San Jose, CA  
(US)  
(\*\*) Term: **14 Years**  
(21) Appl. No.: **29/259,534**  
(22) Filed: **May 9, 2006**  
(51) **LOC (8) Cl.** ..... **14-03**  
(52) **U.S. Cl.** ..... **D14/240**  
(58) **Field of Classification Search** ..... D14/240,  
D14/242, 300, 348, 356, 233, 433, 249, 299;  
D13/184, 199, 110, 137.2, 160; 360/69;  
379/220.01, 221.09, 220.14, 25, 93.09, 93.15,  
379/156, 900, 338, 339; 381/124; 607/36  
See application file for complete search history.

(56) **References Cited**

**U.S. PATENT DOCUMENTS**

D290,121 S \* 6/1987 Claxton ..... D14/233  
D308,864 S \* 6/1990 Takai ..... D14/242  
D331,394 S \* 12/1992 Kobayashi et al. .... D14/242  
D346,607 S \* 5/1994 Bhargava et al. .... D14/242  
D356,297 S \* 3/1995 Carl et al. .... D13/160  
D375,937 S \* 11/1996 Mergenthaler et al. .... D13/110  
D392,645 S \* 3/1998 Wakabayashi ..... D14/240  
D399,211 S \* 10/1998 Cockson ..... D14/233  
D408,823 S \* 4/1999 Kirby ..... D14/240  
D422,967 S \* 4/2000 Ishida ..... D14/240  
D460,753 S \* 7/2002 Hill et al. .... D14/240  
D462,954 S \* 9/2002 Chen ..... D14/299  
D469,430 S \* 1/2003 Sue et al. .... D14/349

D471,908 S \* 3/2003 Stone et al. .... D14/356  
D472,555 S \* 4/2003 Tomino ..... D14/433  
D472,893 S \* 4/2003 Pullman ..... D14/240  
D473,223 S \* 4/2003 Pullman ..... D14/240  
D489,059 S \* 4/2004 Dendou et al. .... D14/242  
D506,755 S \* 6/2005 Chen et al. .... D14/349  
D510,344 S \* 10/2005 Hsieh ..... D14/240  
D530,316 S \* 10/2006 Hsu et al. .... D14/240  
D530,325 S \* 10/2006 Kerila et al. .... D14/356

\* cited by examiner

*Primary Examiner*—Charles A. Rademaker  
(74) *Attorney, Agent, or Firm*—MacPherson Kwok Chen &  
Heid LLP; Tom Chen

(57) **CLAIM**

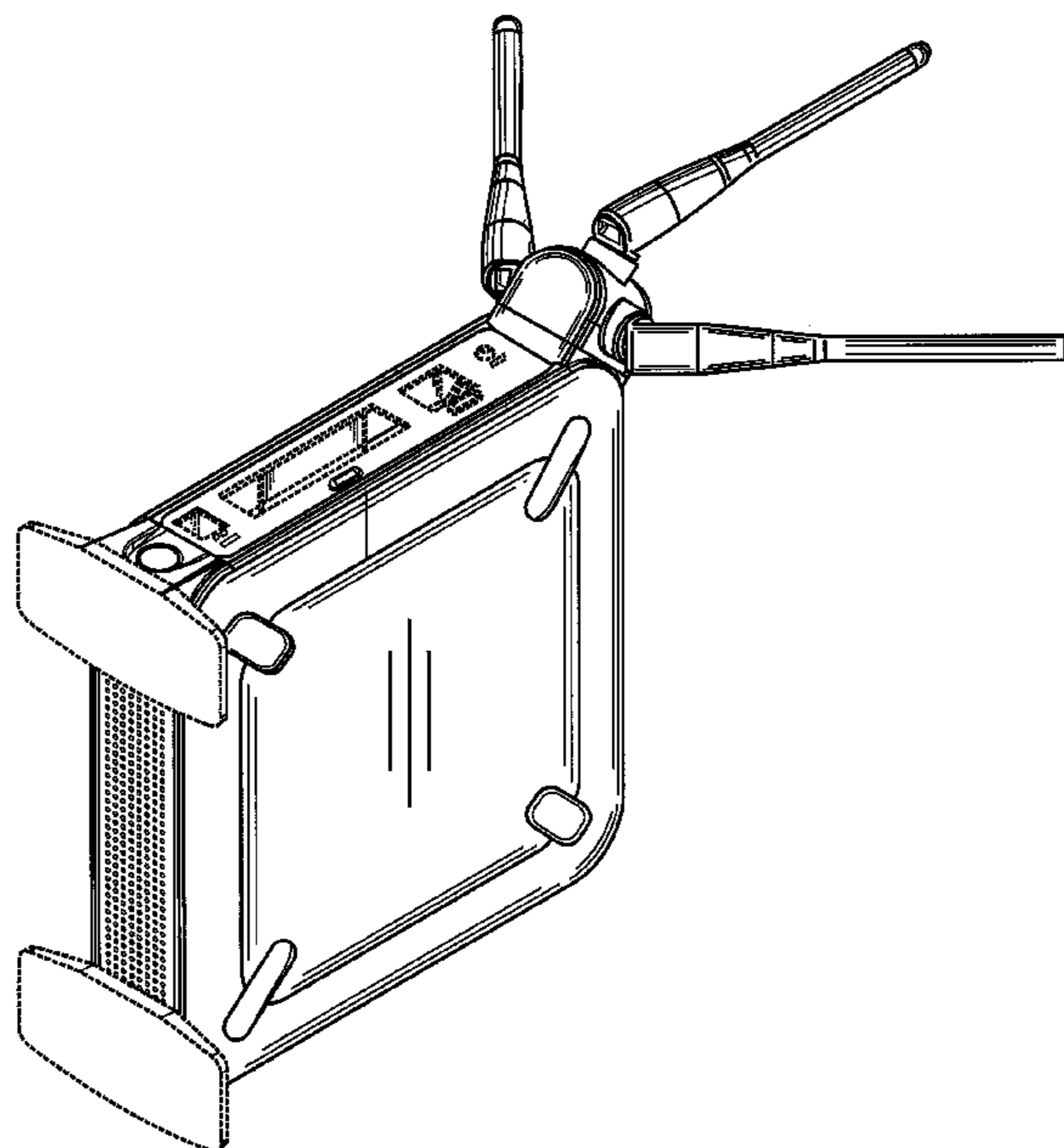
The ornamental design for a wireless access point, as shown  
and described.

**DESCRIPTION**

FIG. 1 is a perspective view of a wireless access point  
showing our new design;  
FIG. 2 is a right side elevation thereof with the antenna  
members in alternate positions;  
FIG. 3 is a rear elevation thereof with the antenna members  
in alternate positions;  
FIG. 4 is a front elevation thereof;  
FIG. 5 is a bottom plan view thereof; and,  
FIG. 6 is a top plan view thereof.

The broken line showing of portions of the design is  
included for the purpose of illustrating environmental struc-  
ture and forms no part of the claimed design.

**1 Claim, 6 Drawing Sheets**



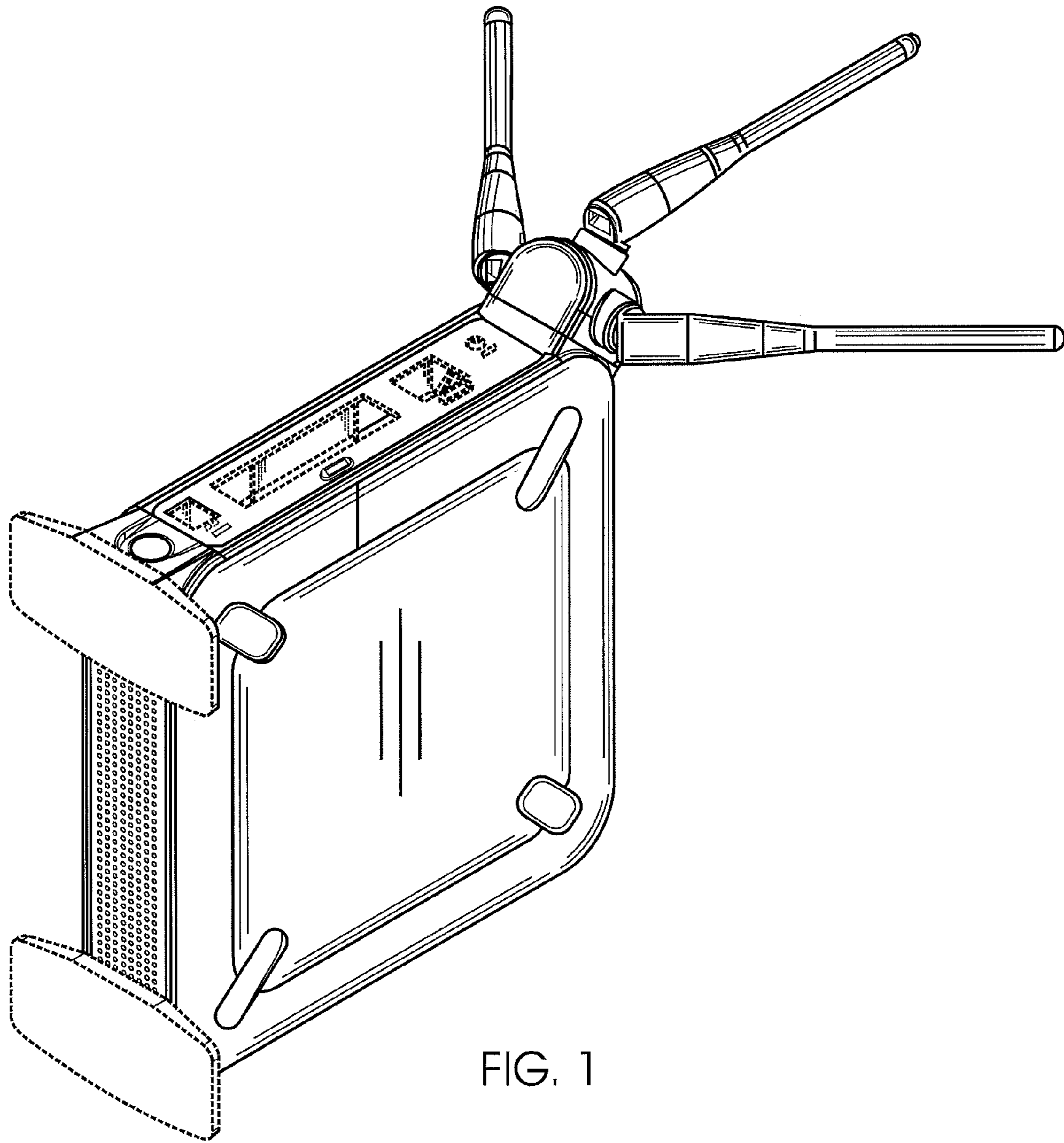


FIG. 1

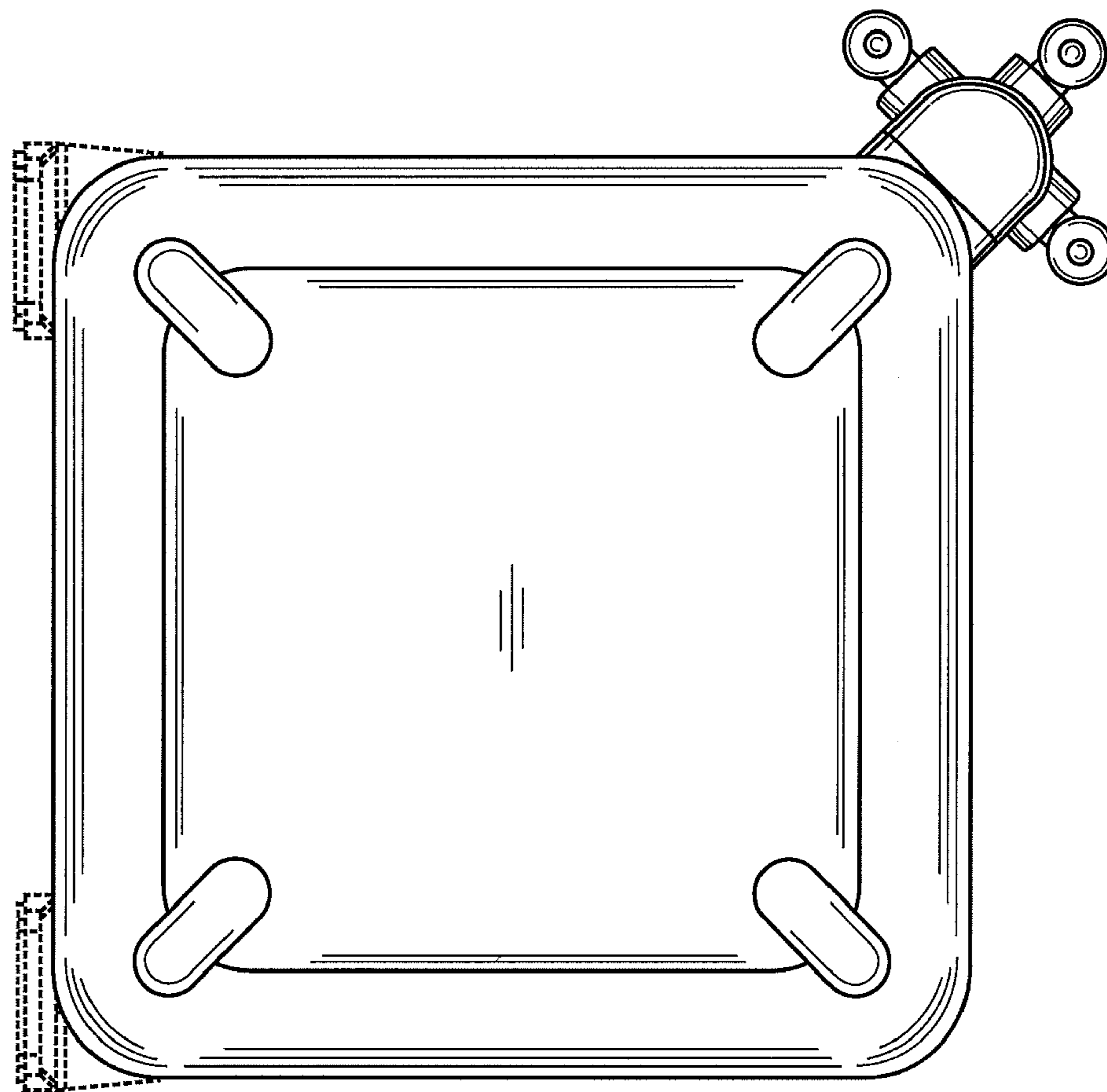


FIG. 2

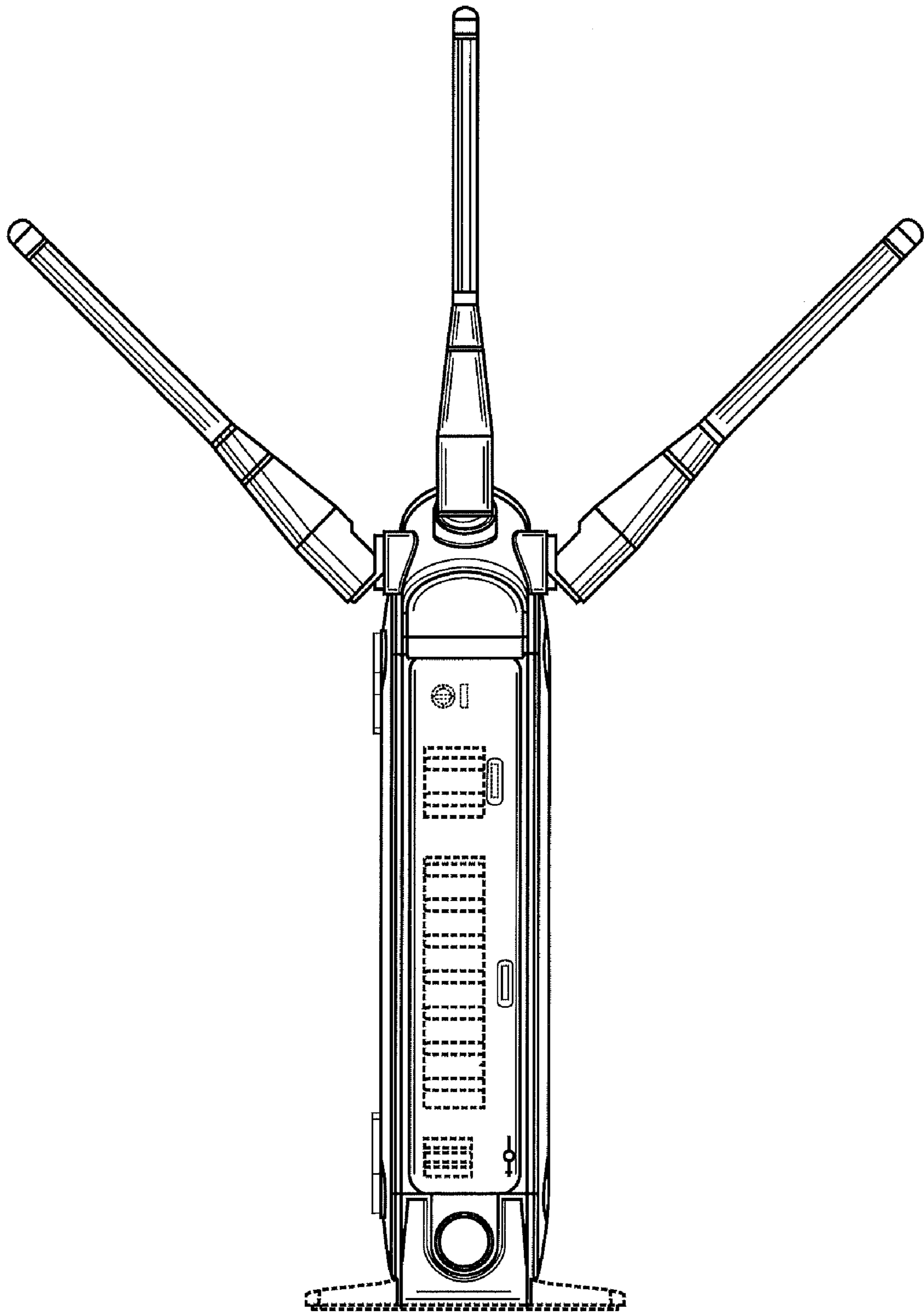


FIG. 3

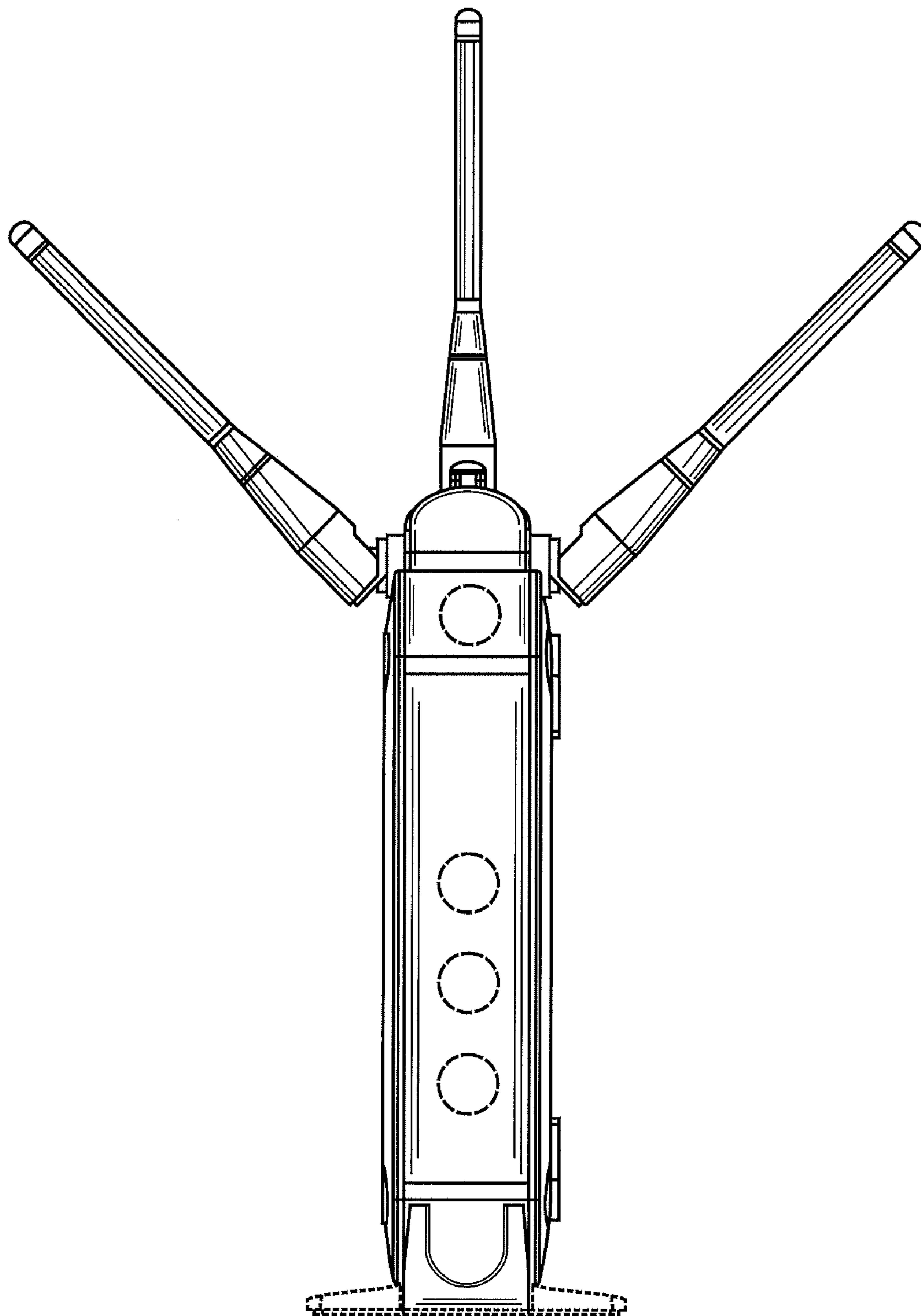


FIG. 4

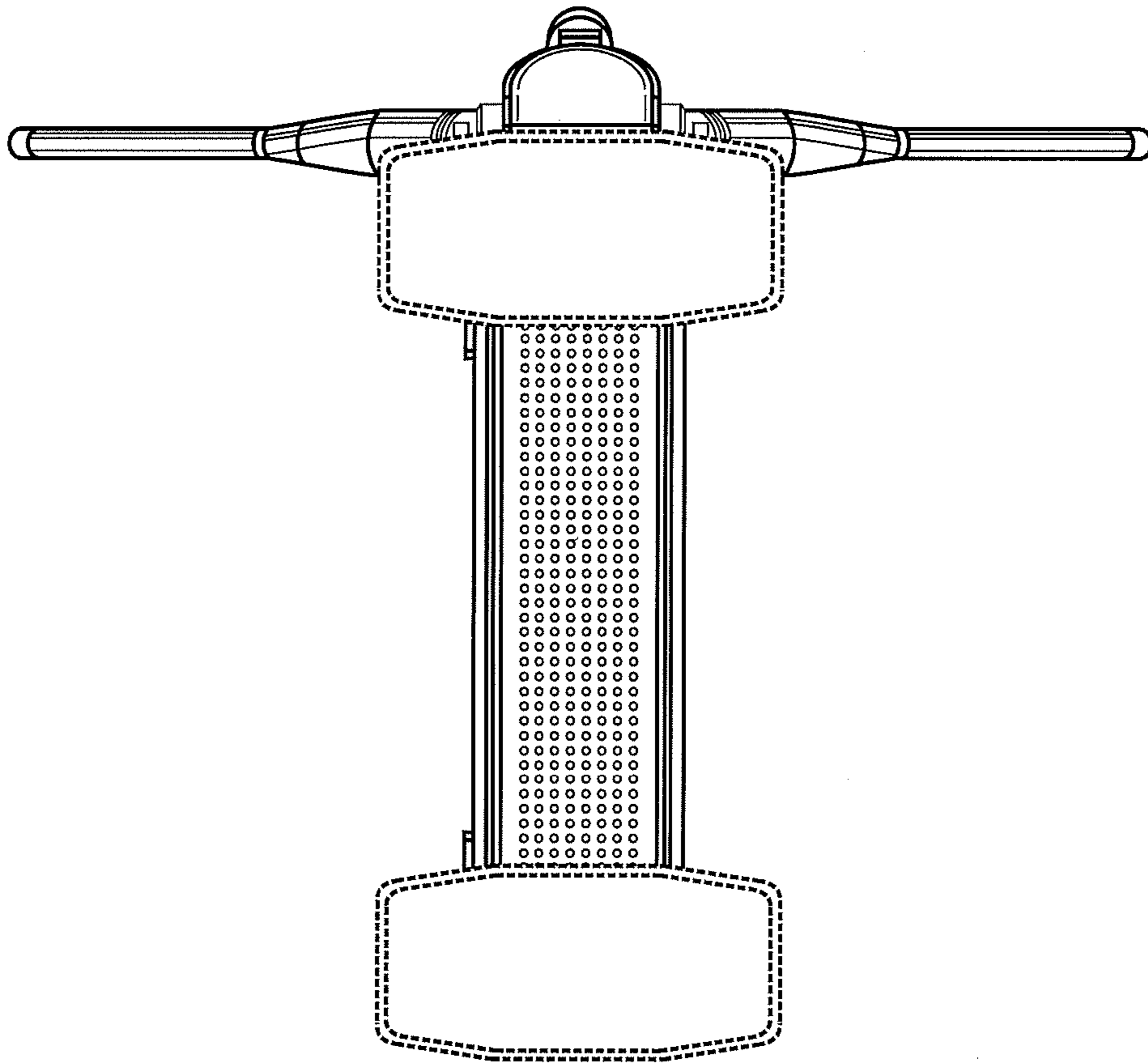


FIG. 5

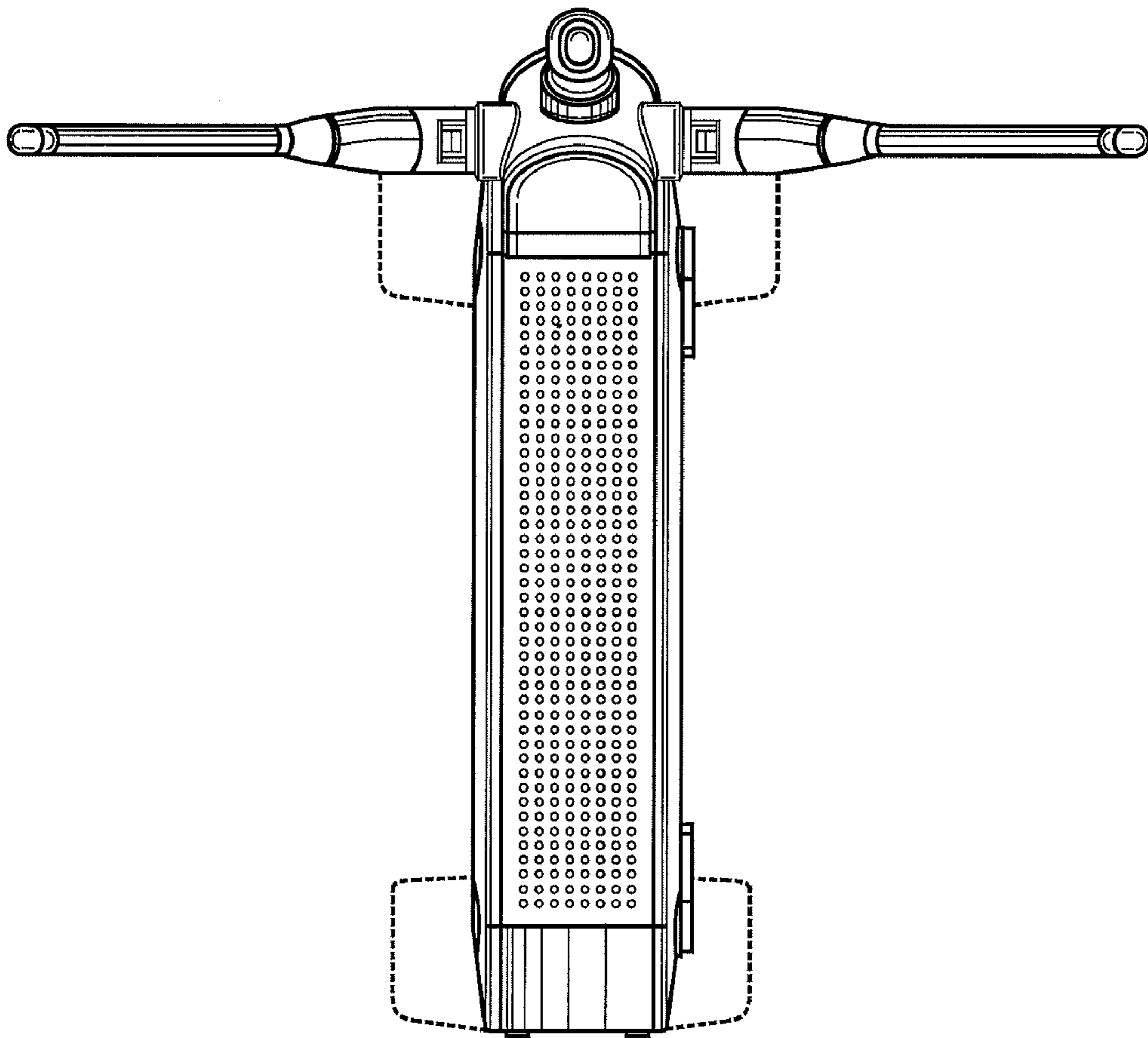


FIG. 6