



US00D559840S

(12) **United States Design Patent**  
**Kuo**

(10) **Patent No.:** **US D559,840 S**

(45) **Date of Patent:** **\*\* Jan. 15, 2008**

(54) **ROUTER**

(75) Inventor: **King-Cheng Kuo**, Tainan (TW)

(73) Assignee: **Amigo Technology, Inc.**, Taipei (TW)

(\*\*) Term: **14 Years**

(21) Appl. No.: **29/249,700**

(22) Filed: **Oct. 18, 2006**

(51) **LOC (8) Cl.** ..... **14-03**

(52) **U.S. Cl.** ..... **D14/240**

(58) **Field of Classification Search** ..... D14/240,  
D14/242, 300, 348, 356, 233, 433, 249, 299;  
D13/184, 199, 110, 137.2, 160; 360/69;  
379/220.01, 221.09, 220.14, 25, 93.09, 93.15,  
379/156, 900, 338, 339; 381/124; 607/36  
See application file for complete search history.

(56) **References Cited**

**U.S. PATENT DOCUMENTS**

D368,721 S *	4/1996	Howell et al.	.....	D14/240
D383,116 S *	9/1997	Hoss et al.	.....	D13/123
D406,848 S *	3/1999	Salmi	.....	D14/240
D462,954 S *	9/2002	Chen	.....	D14/299
D467,911 S *	12/2002	Lee	.....	D14/240
D473,223 S *	4/2003	Pullman	.....	D14/240

D489,714 S *	5/2004	Yin et al.	.....	D14/242
D496,031 S *	9/2004	Ma et al.	.....	D14/240
D514,097 S *	1/2006	De Leon	.....	D14/240
D525,962 S *	8/2006	Elson	.....	D14/240
7,146,184 B1 *	12/2006	Tsitsiashvili	.....	455/550.1

\* cited by examiner

*Primary Examiner*—Charles A. Rademaker  
(74) *Attorney, Agent, or Firm*—Marger, Johnson & McCollom, PC

(57) **CLAIM**

The ornamental design for router, as shown and described.

**DESCRIPTION**

FIG. 1 is a perspective view of router showing my new design;

FIG. 2 is a front elevational view thereof;

FIG. 3 is a rear elevational view thereof;

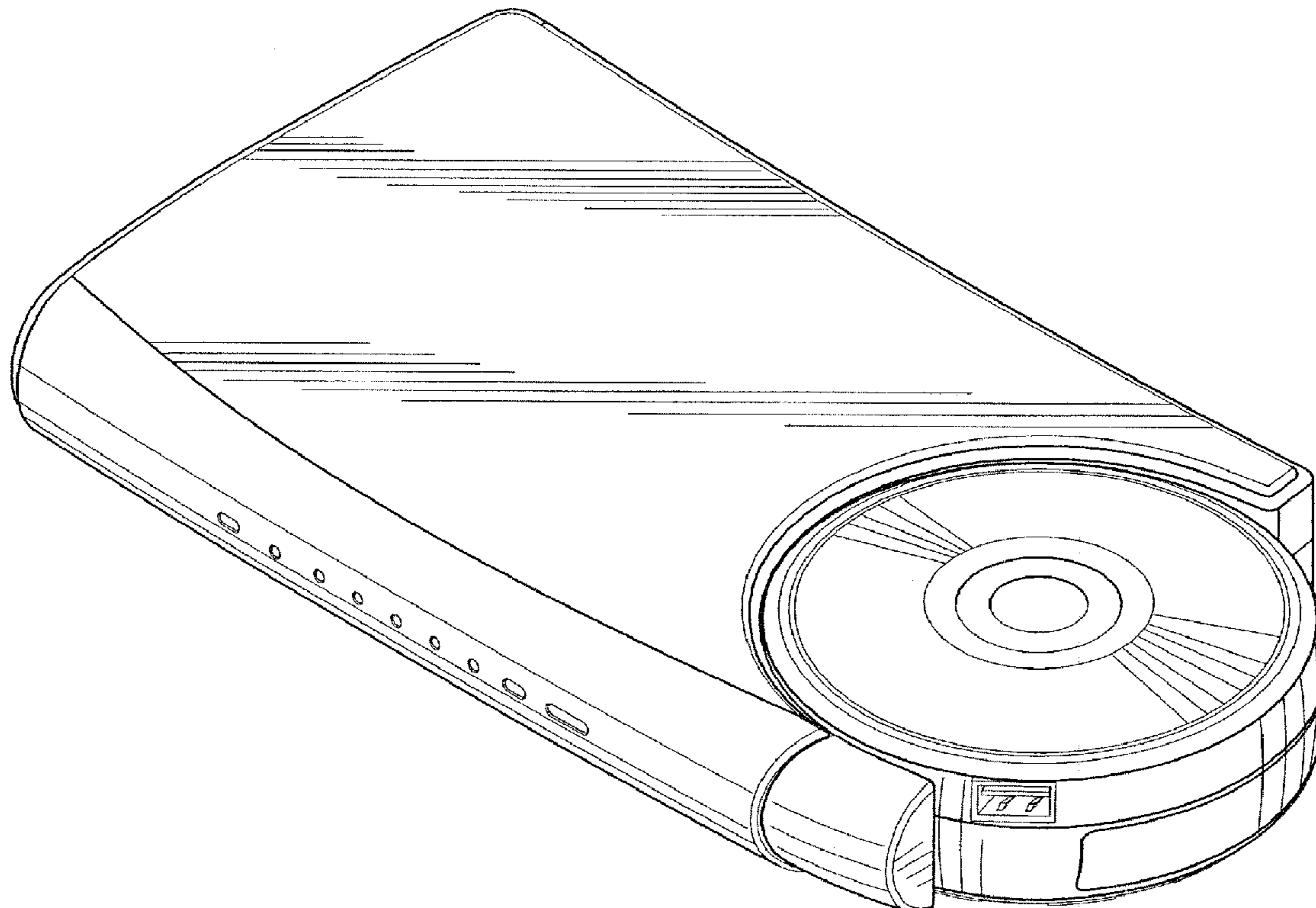
FIG. 4 is a left side elevational view thereof;

FIG. 5 is a right side elevational view thereof;

FIG. 6 is a top plan view thereof; and,

FIG. 7 is a bottom plan view thereof.

**1 Claim, 5 Drawing Sheets**



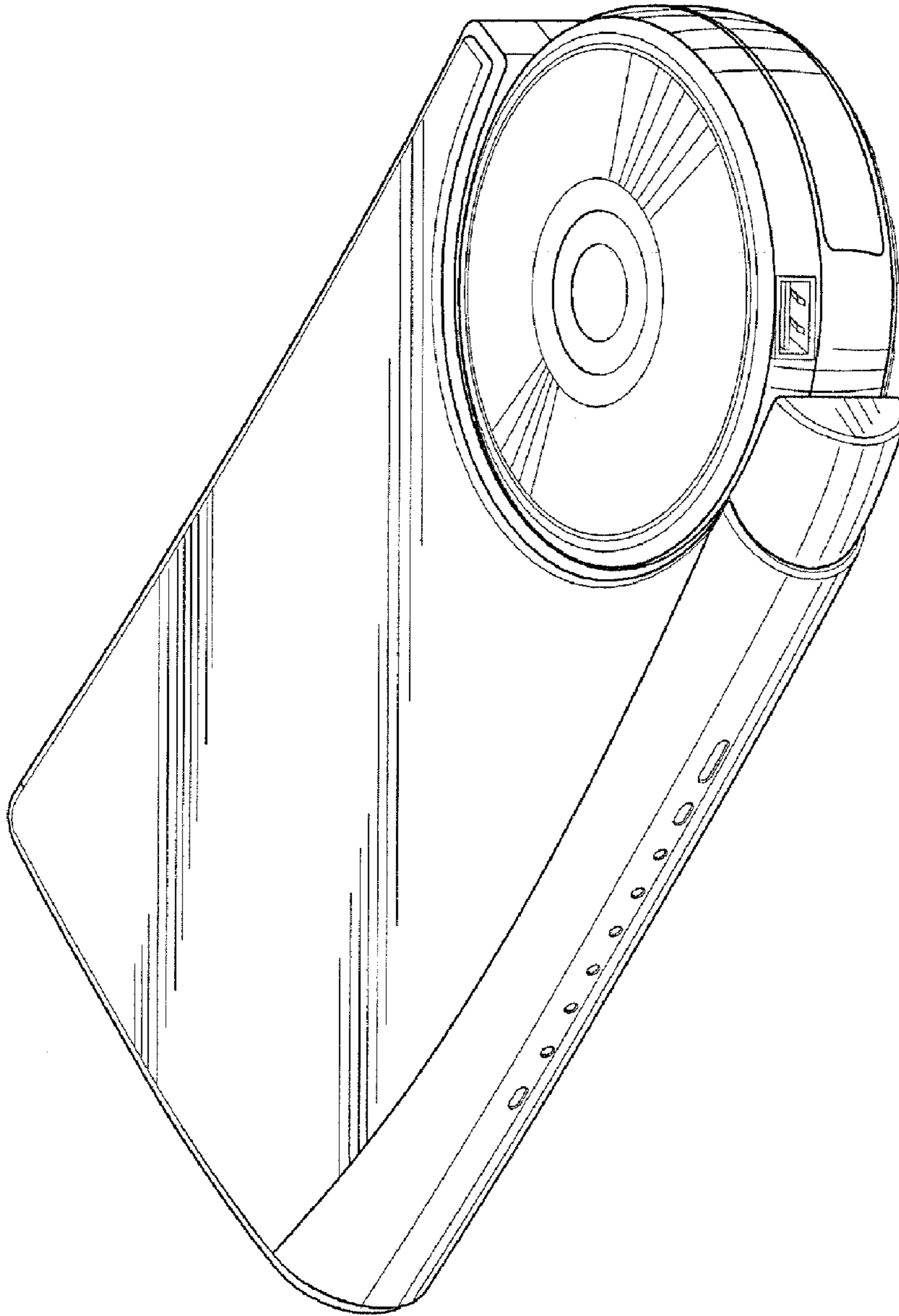


FIG. 1

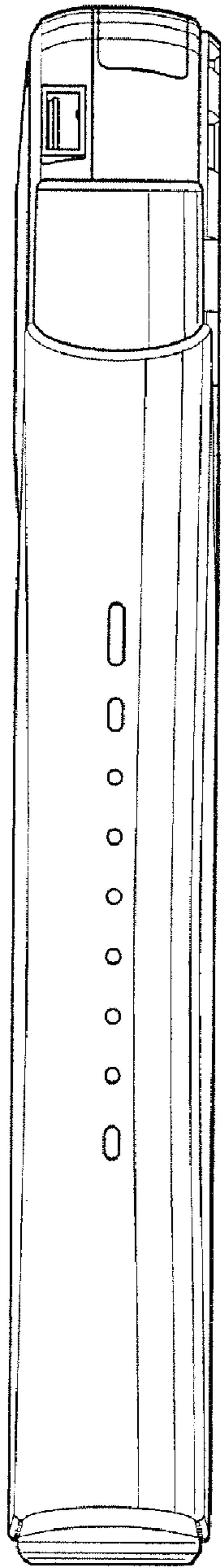


FIG. 2

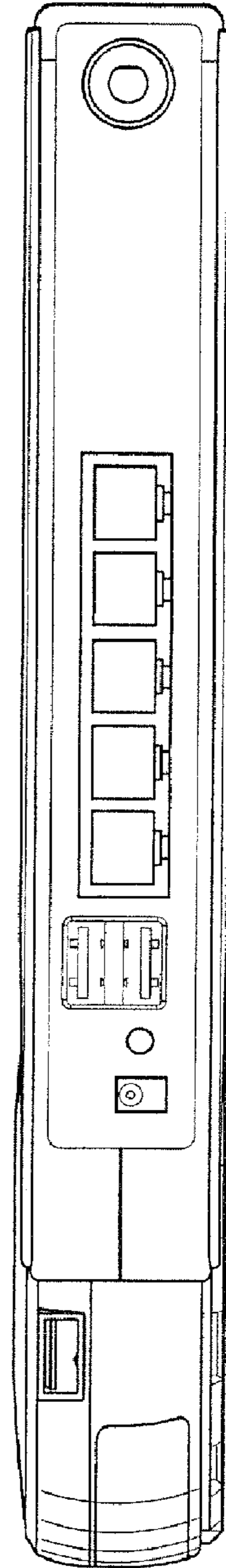


FIG. 3

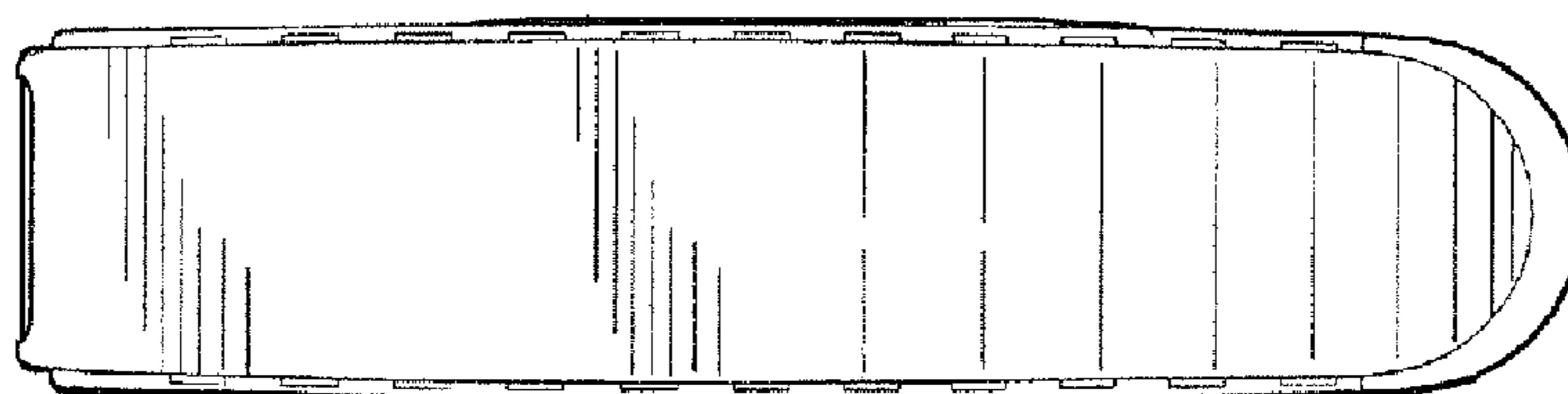


FIG. 4

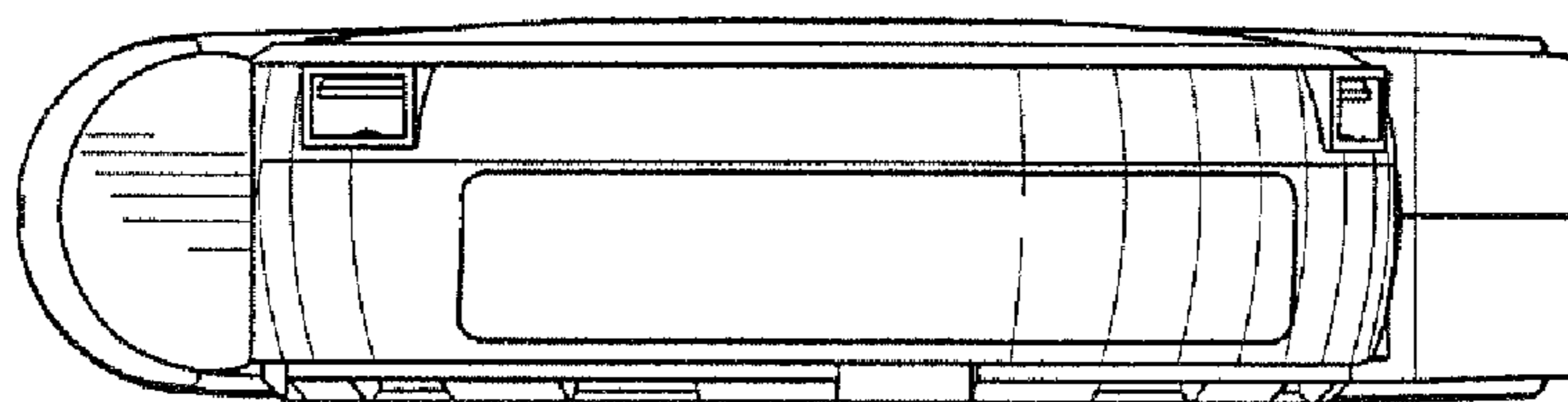


FIG. 5

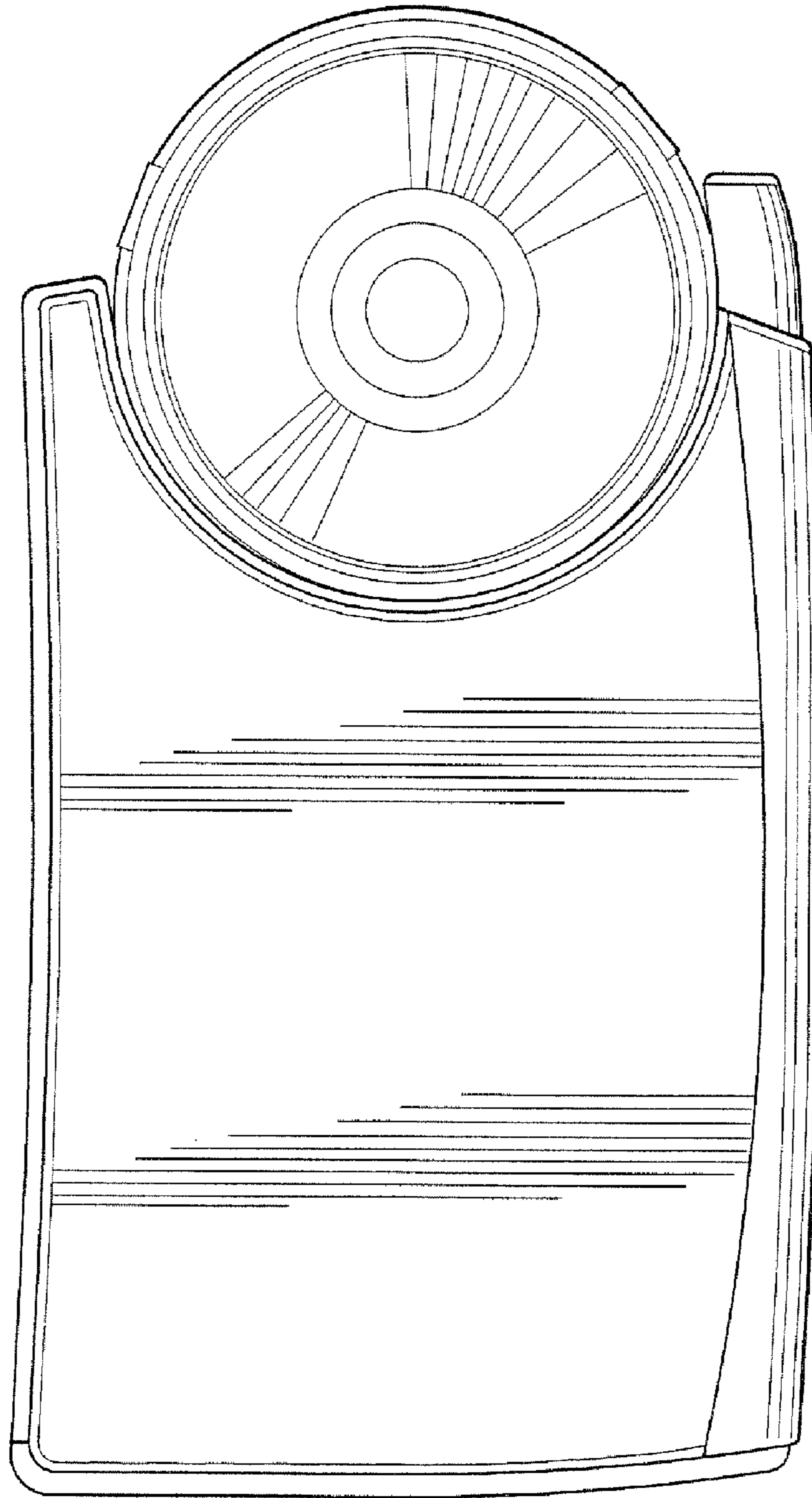


FIG. 6



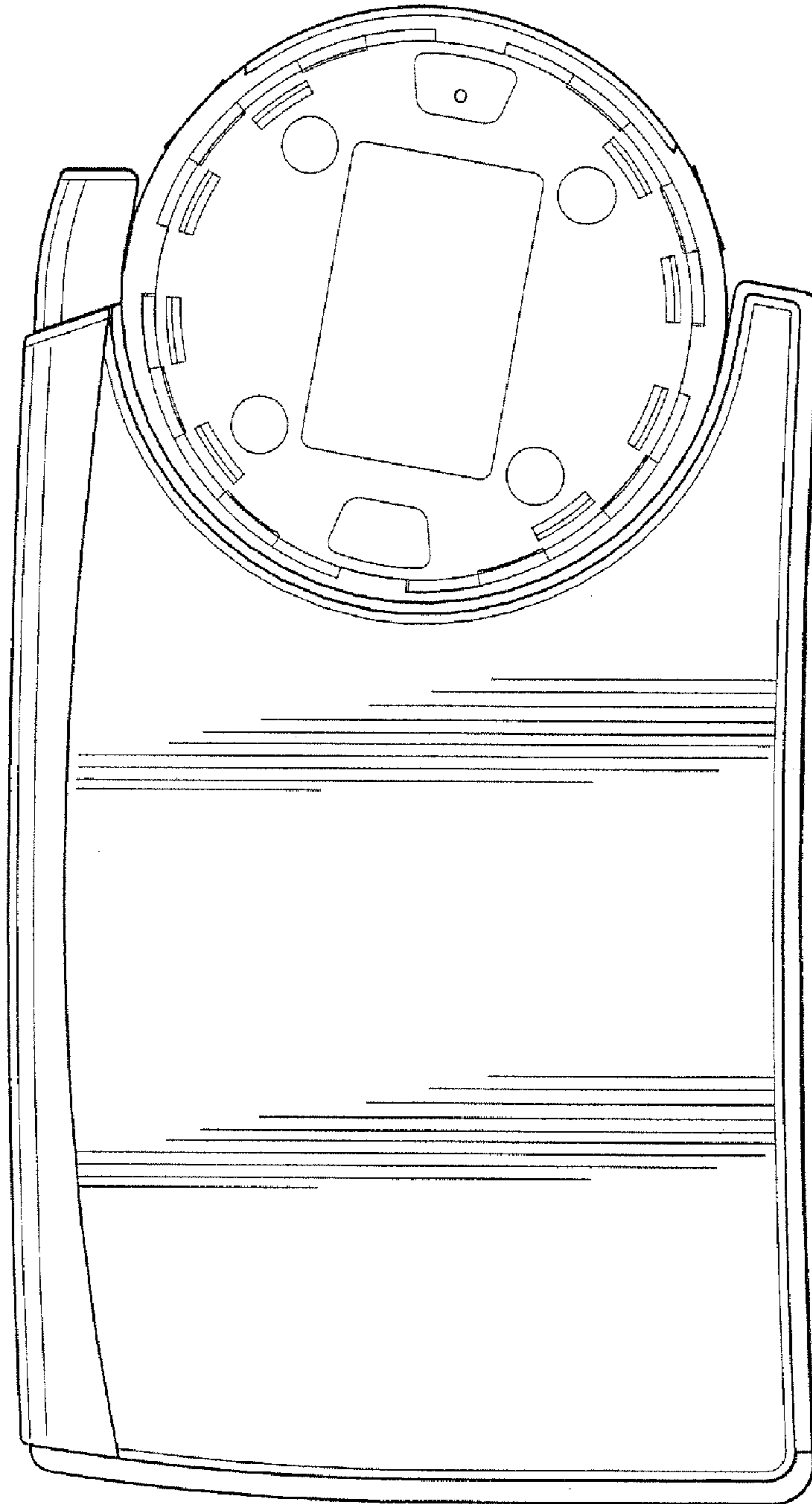


FIG. 7