



US00D559839S

(12) **United States Design Patent**
Vitito

(10) **Patent No.:** **US D559,839 S**
(45) **Date of Patent:** **** Jan. 15, 2008**

(54) **BASE FOR AN AUTOMOBILE ENTERTAINMENT SYSTEM**

(76) Inventor: **Christopher J. Vitito**, 514 Longmeadow St., Celebration, FL (US) 34747

(**) Term: **14 Years**

(21) Appl. No.: **29/272,815**

(22) Filed: **Feb. 20, 2007**

(51) **LOC (8) Cl.** **14-03**

(52) **U.S. Cl.** **D14/239**

(58) **Field of Classification Search** D14/125-135, D14/239, 379, 371, 374-376, 113, 136, 492, D14/299, 356, 361-363, 365, 496; D13/151, D13/153; 312/7.2, 208.1-223.2; 348/836, 348/838, 180, 184, 325, 739, 10, 460; 341/12; 248/917-924; 345/104, 133, 156, 168, 87, 345/173; 349/1, 2, 11, 62; 361/690-696
See application file for complete search history.

(56) **References Cited**

U.S. PATENT DOCUMENTS

D354,951 S * 1/1995 Fenton et al. D14/242
5,623,392 A * 4/1997 Ma 361/681
D467,234 S * 12/2002 Scribner D14/132

D469,068 S * 1/2003 Furusawa D14/132
D470,828 S * 2/2003 Solland D14/132
D510,329 S * 10/2005 Vitito D14/132
D535,246 S * 1/2007 Vitito D12/418
D539,768 S * 4/2007 Vitito D14/132

* cited by examiner

Primary Examiner—Raphael Barkai
Assistant Examiner—Randall H Gholson
(74) *Attorney, Agent, or Firm*—Welsh & Flaxman LLC

(57) **CLAIM**

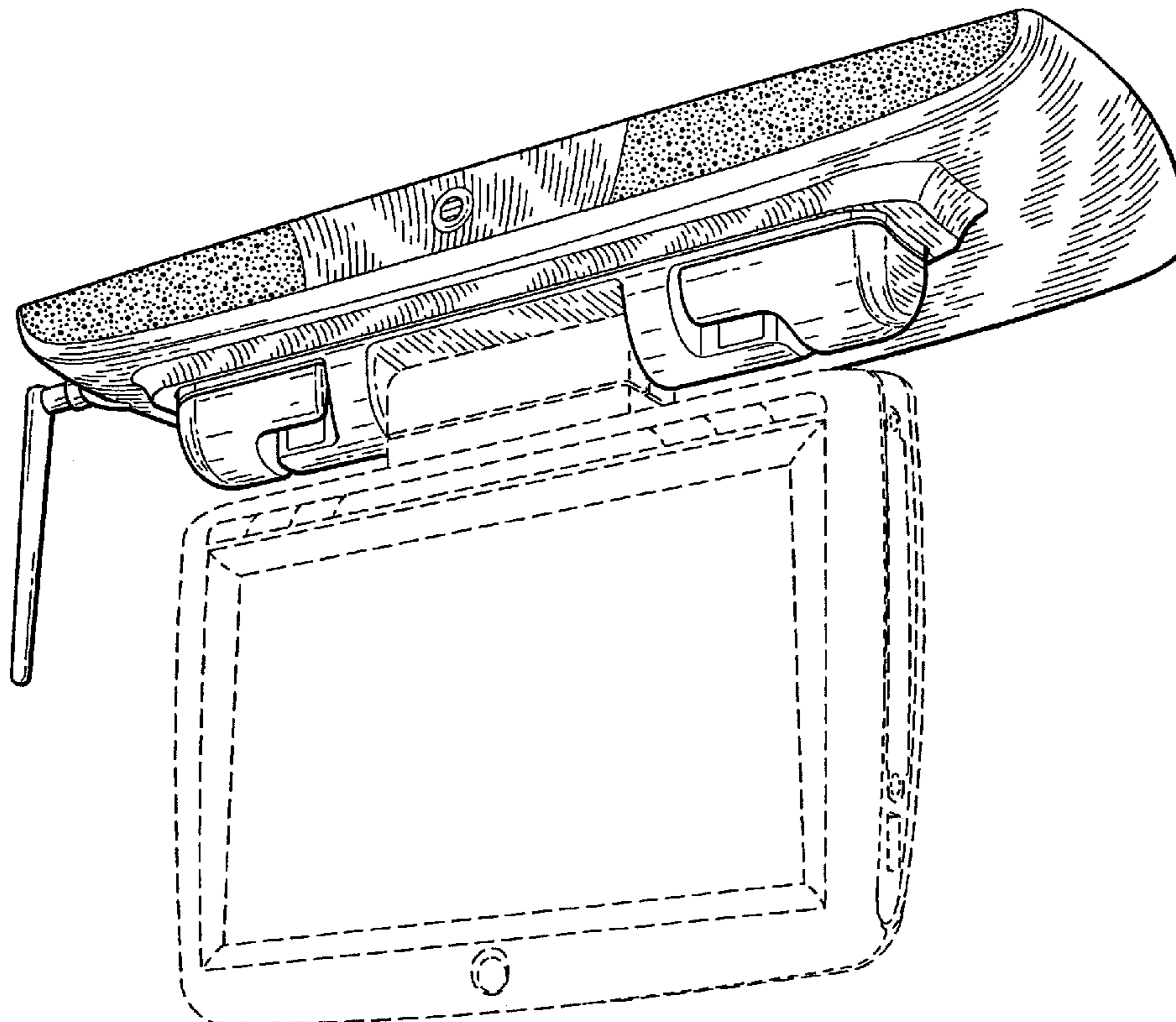
The ornamental design for a base for an automobile entertainment system, as shown and described.

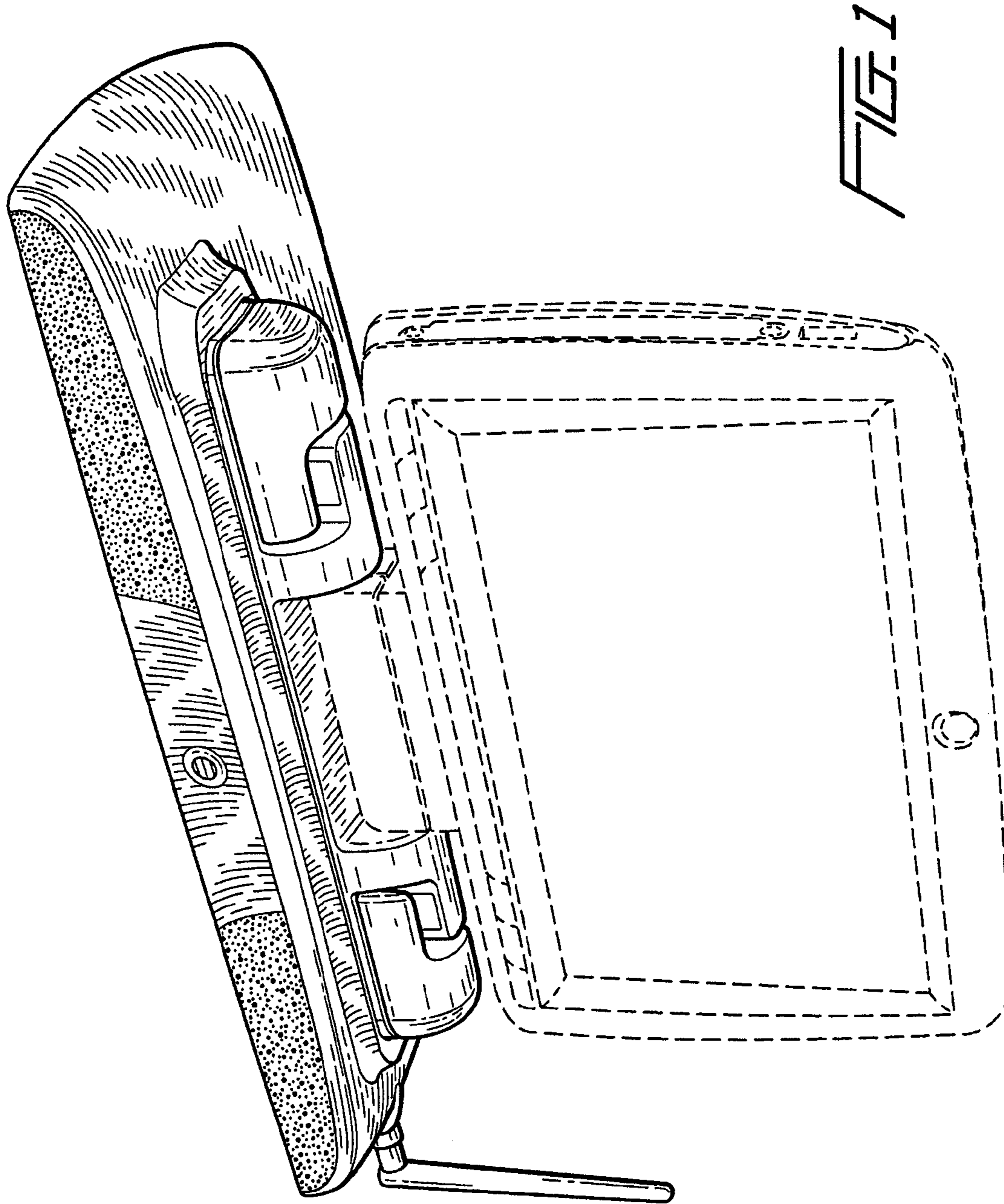
DESCRIPTION

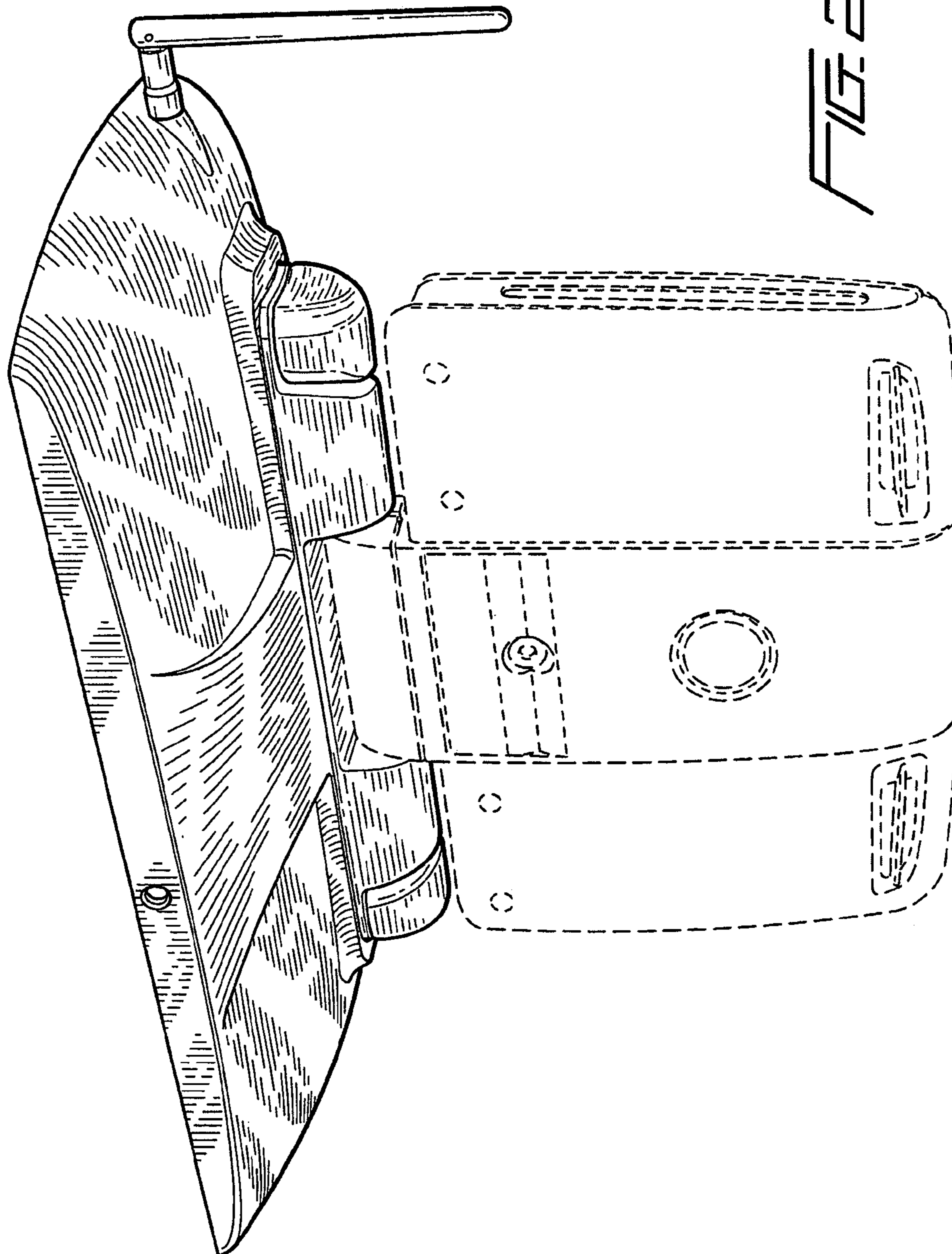
FIG. 1 is a front perspective view of a base for an automobile entertainment system showing my new design.
FIG. 2 is a rear perspective view of thereof.
FIG. 3 is a left side plan view of thereof.
FIG. 4 is a right side plan view of thereof; and,
FIG. 5 is a bottom plan view of thereof.

The broken lines in the drawings are for the purpose of showing environmental structure and do not form part of the design to be patented.

1 Claim, 4 Drawing Sheets







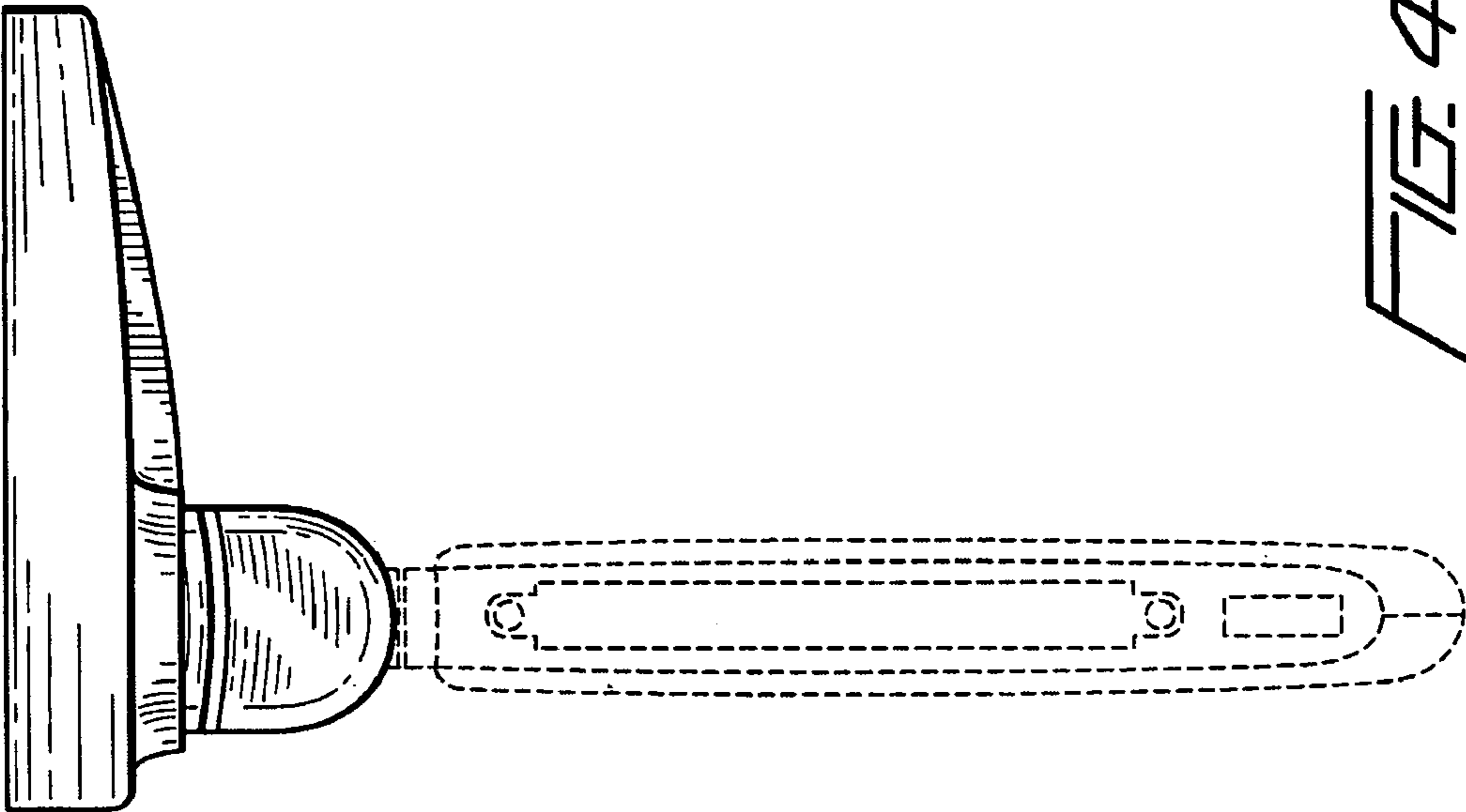


FIG. 4

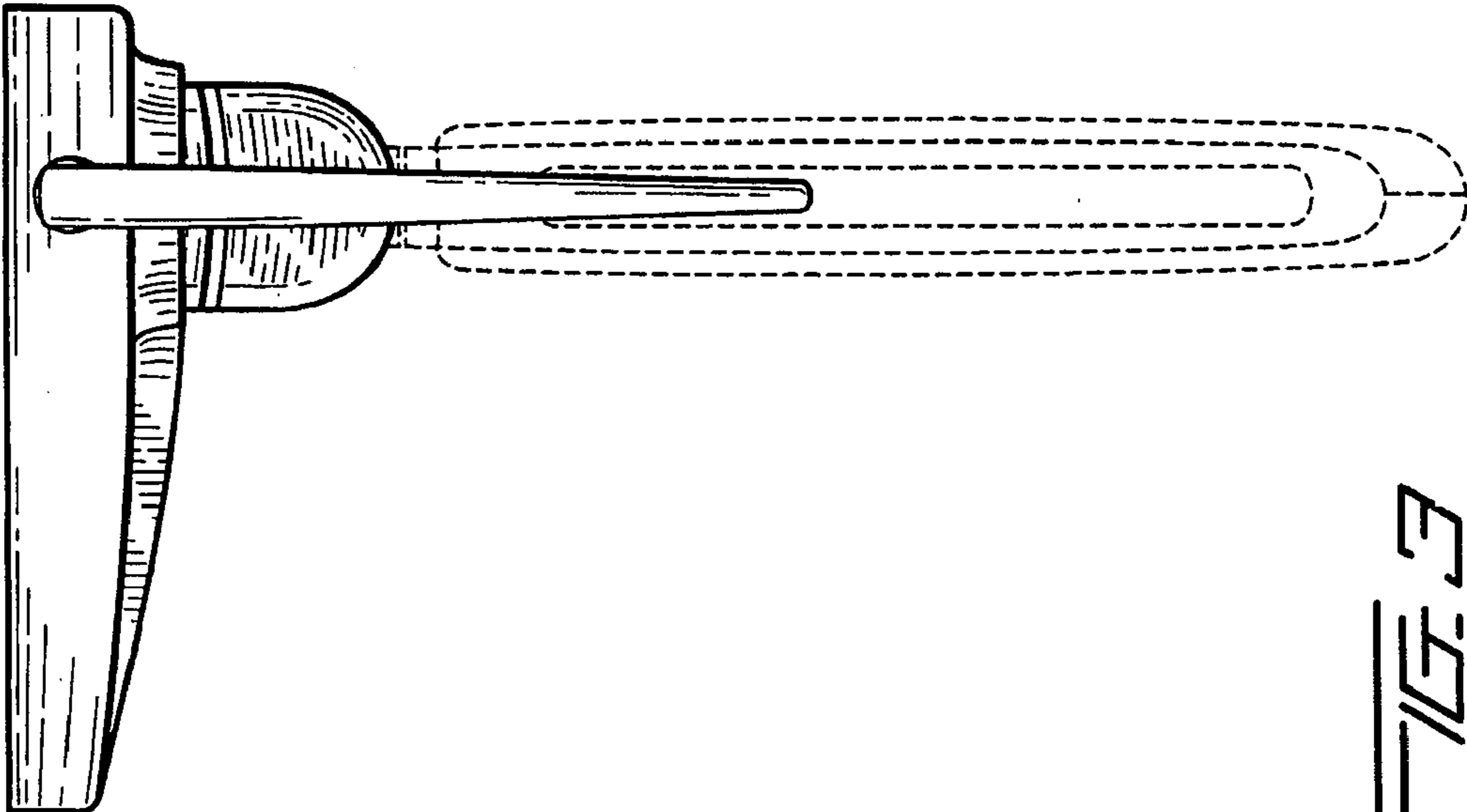


FIG. 3

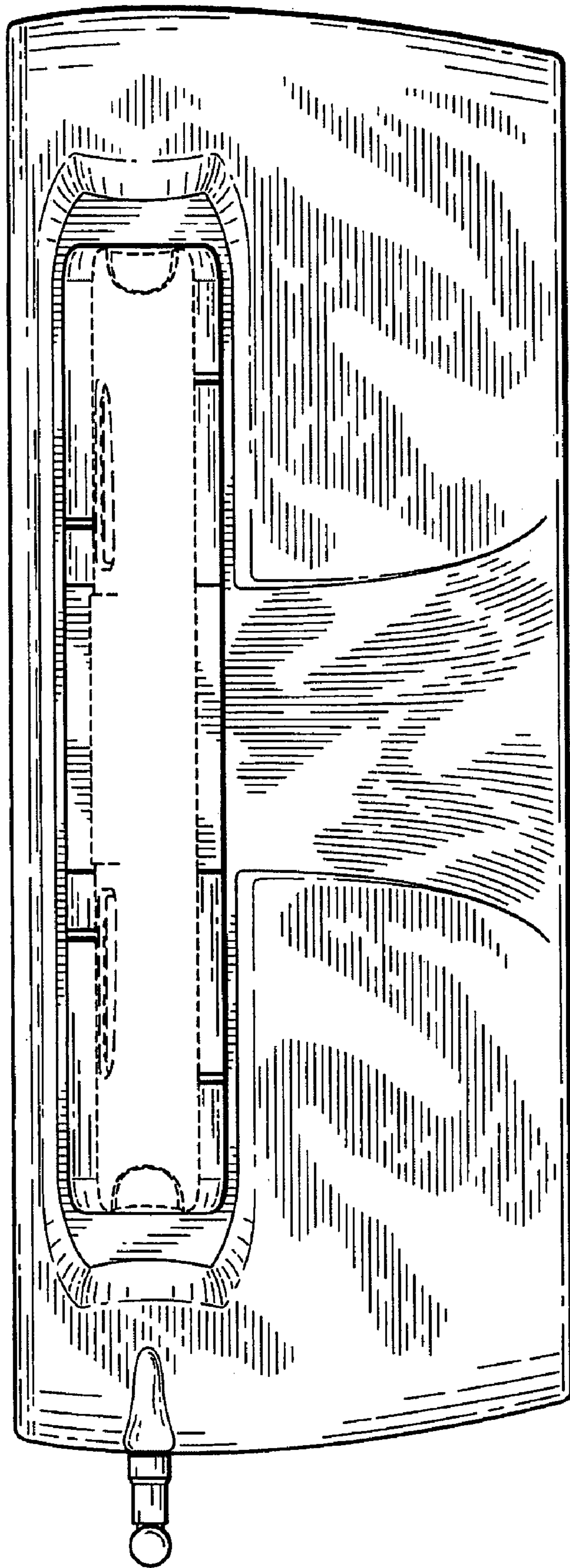


FIG. 5