



US00D559838S

(12) **United States Design Patent**
Yuba et al.

(10) **Patent No.:** **US D559,838 S**
(45) **Date of Patent:** **** Jan. 15, 2008**

(54) **PLANAR ANTENNA**

D533,544 S * 12/2006 Lai D14/230

(75) Inventors: **Takashi Yuba**, Shinagawa (JP); **Hideki Iwata**, Shinagawa (JP); **Masahiro Yanagi**, Shinagawa (JP); **Takashi Arita**, Shinagawa (JP)

* cited by examiner

Primary Examiner—Stella M. Reid
Assistant Examiner—John Windmuller
(74) *Attorney, Agent, or Firm*—Staas & Halsey, LLP

(73) Assignee: **Fujitsu Component Limited**, Tokyo (JP)

(57) **CLAIM**

(**) Term: **14 Years**

The ornamental design for a planar antenna, as shown and described.

(21) Appl. No.: **29/257,761**

DESCRIPTION

(22) Filed: **Apr. 11, 2006**

FIG. 1 is a top front and right side perspective view of a planar antenna showing our new design;

(30) **Foreign Application Priority Data**

FIG. 2 is a front view thereof;

Dec. 28, 2005 (JP) 2005-038824

FIG. 3 is a rear view thereof;

(51) **LOC (8) Cl.** **08-08**

FIG. 4 is a top view thereof;

(52) **U.S. Cl.** **D14/230; D14/358**

FIG. 5 is a bottom view thereof;

(58) **Field of Classification Search** D14/138,

FIG. 6 is a right side view thereof;

D14/230–238, 299, 358; D12/42, 43; 343/700 R–705,

FIG. 7 is a left side view thereof;

343/871–908, 795, 840, 711–713, 819, 846;

FIG. 8 is a rear bottom and left side perspective view thereof;

455/90.2, 90.3, 91, 128, 269, 344, 347, 562.1

FIG. 9 is a top front and right side perspective view thereof where the antenna case thereof is disposed at a different angle from that shown in FIG. 1;

See application file for complete search history.

FIG. 10 is a top front and right side perspective view thereof where the antenna case thereof is disposed at a different angle from that shown in FIG. 1; and,

(56) **References Cited**

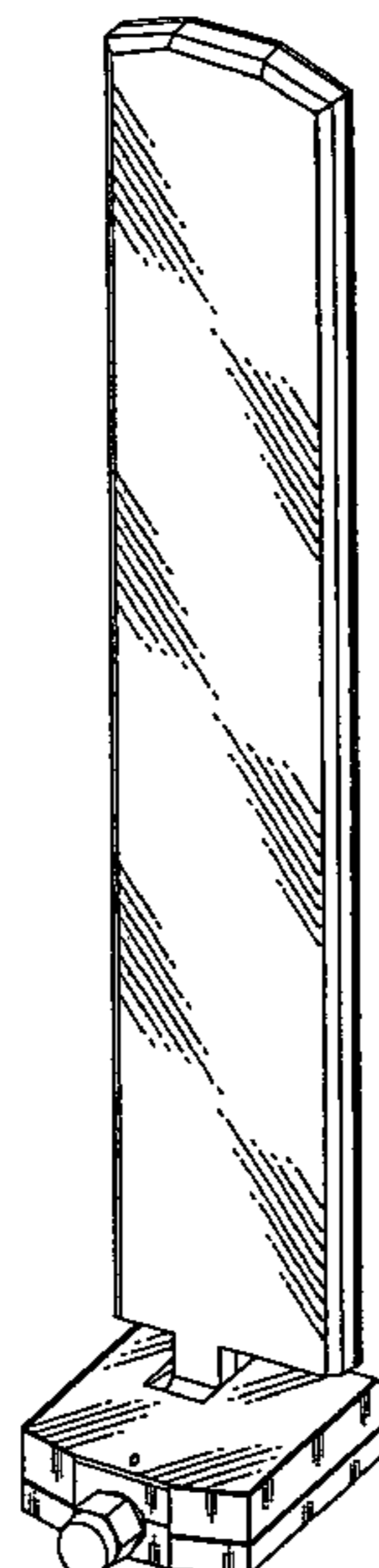
U.S. PATENT DOCUMENTS

- D345,564 S * 3/1994 Kadono et al. D14/230
- D363,488 S * 10/1995 Shumaker D14/230
- D379,356 S * 5/1997 Liu et al. D14/230
- D398,611 S * 9/1998 Read D14/230
- D405,090 S * 2/1999 Guttadauro D14/230
- D442,170 S * 5/2001 Mou D14/238
- D471,181 S * 3/2003 Haberstich D14/230
- D525,239 S * 7/2006 Lai D14/230

FIG. 11 is a perspective view thereof showing an alternate position of use.

The broken line drawing of a laptop computer in FIG. 11 is for illustrative purposes only and forms no part of the claimed design.

1 Claim, 10 Drawing Sheets



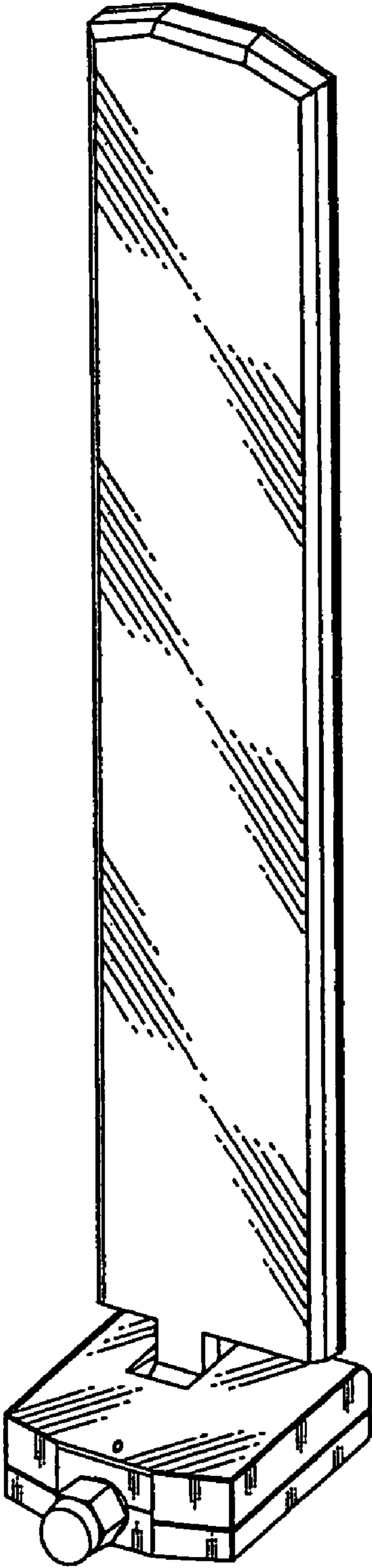


FIG.1

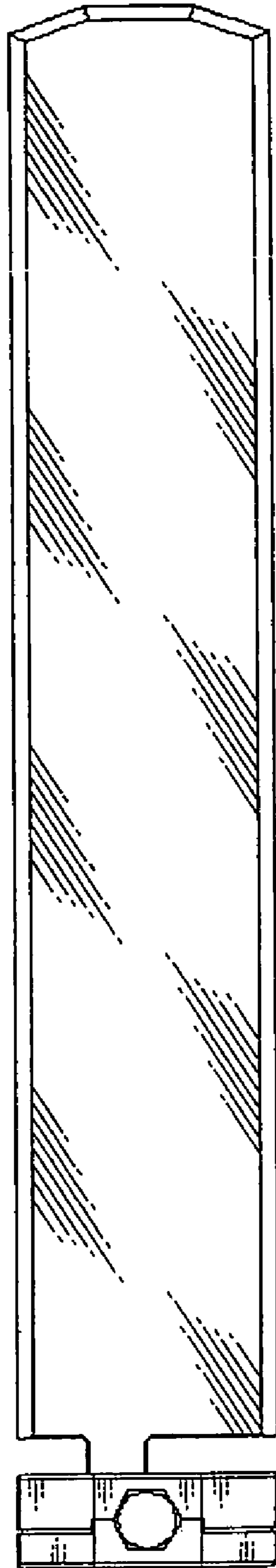


FIG. 2

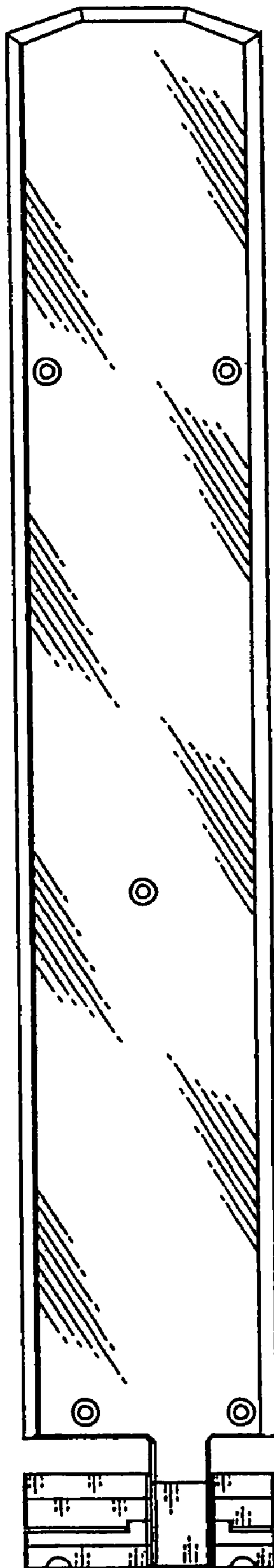


FIG.3

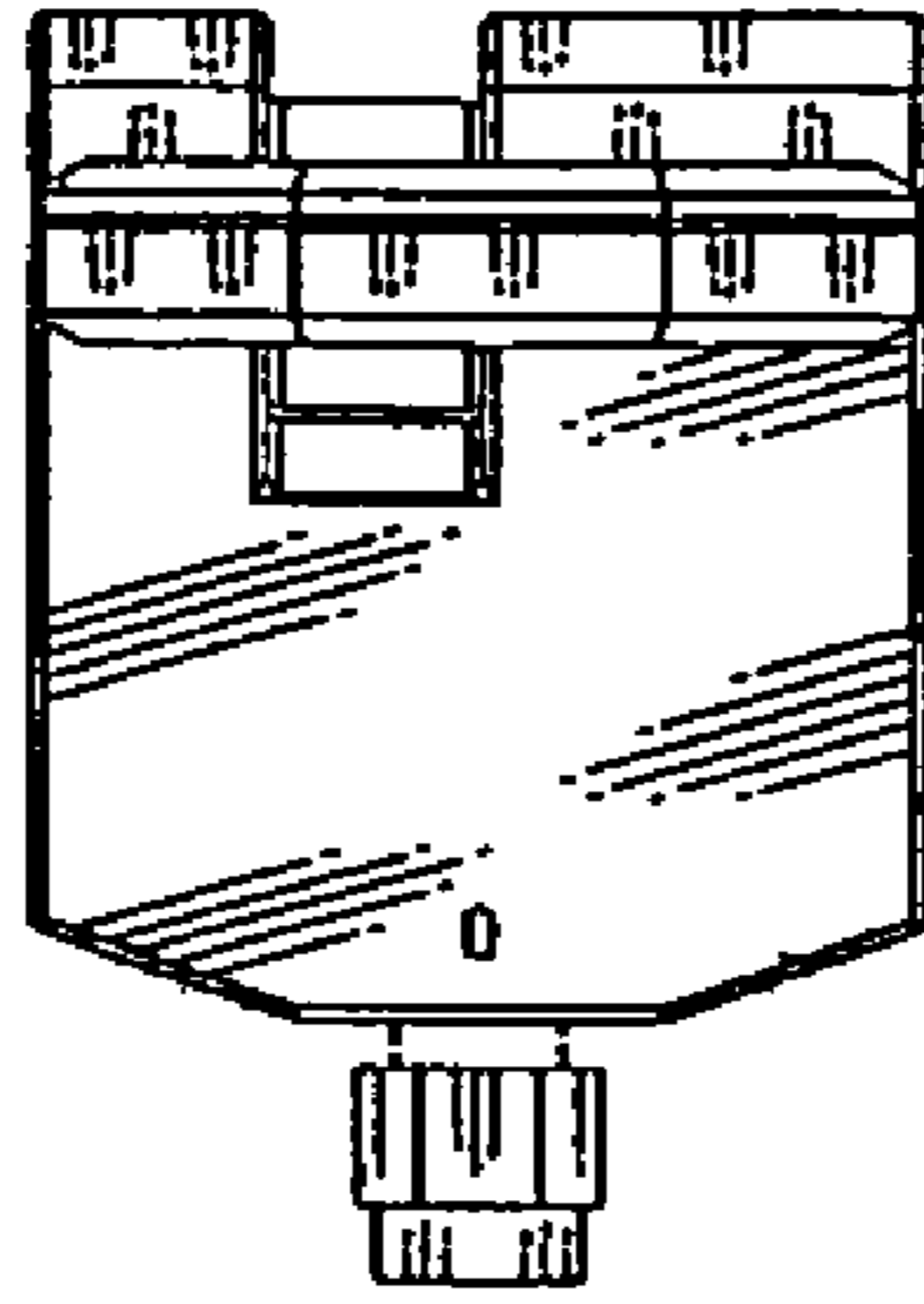


FIG. 4

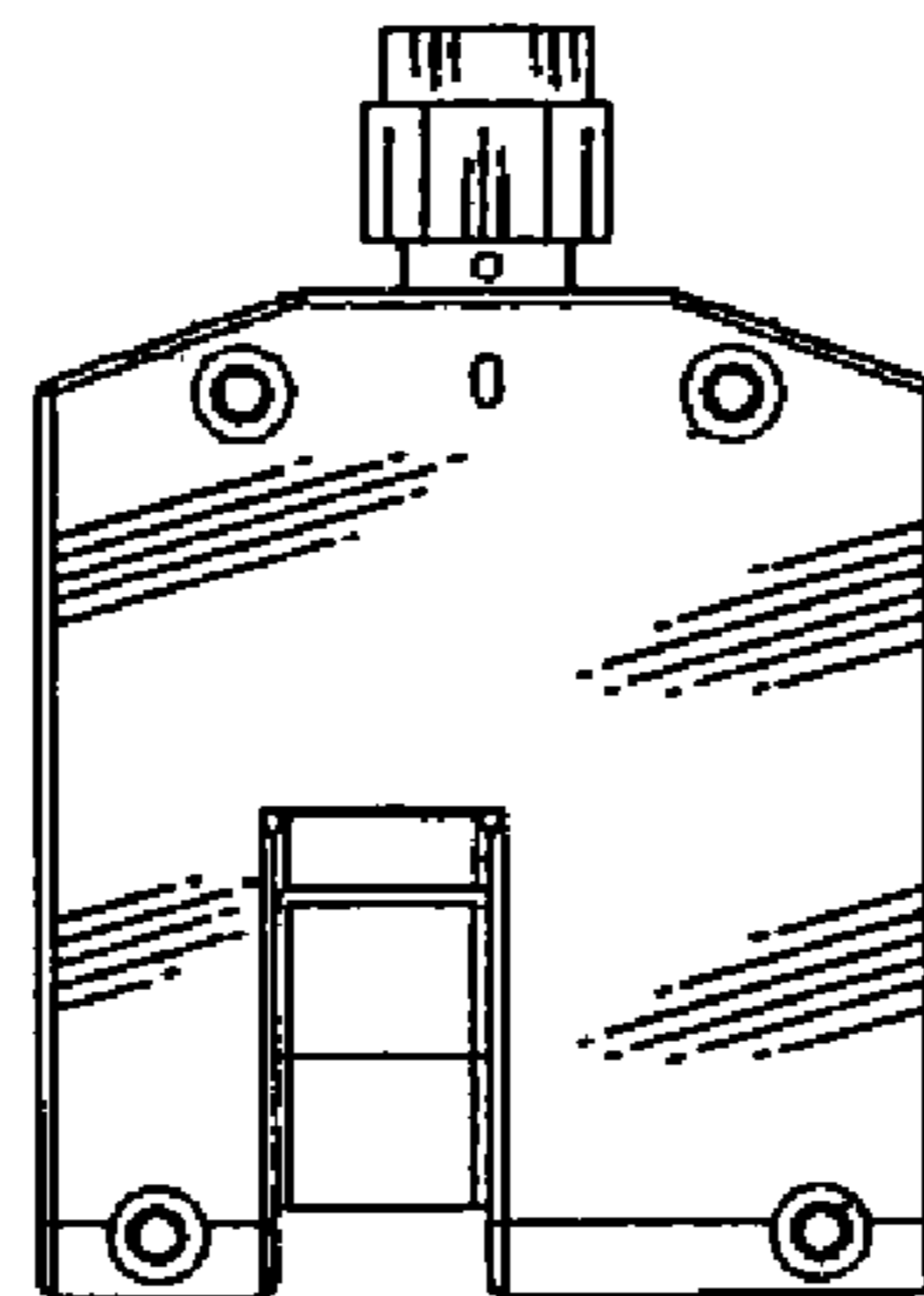


FIG. 5

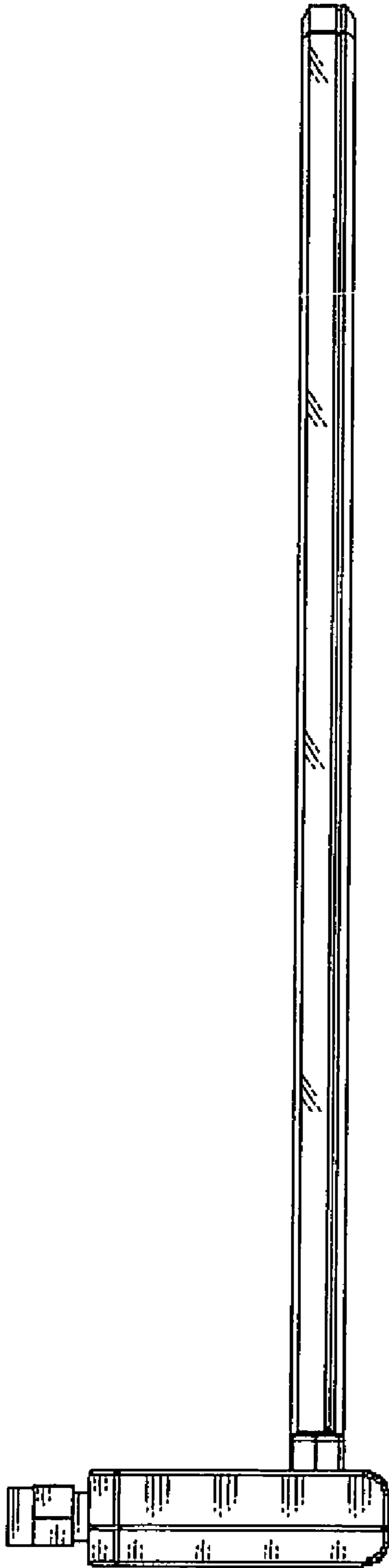


FIG. 6

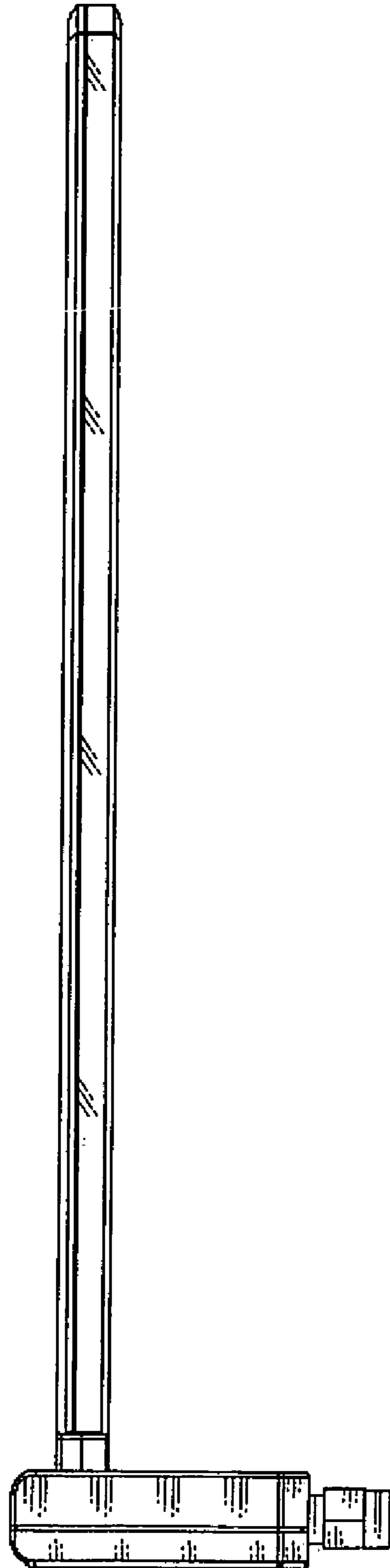


FIG. 7

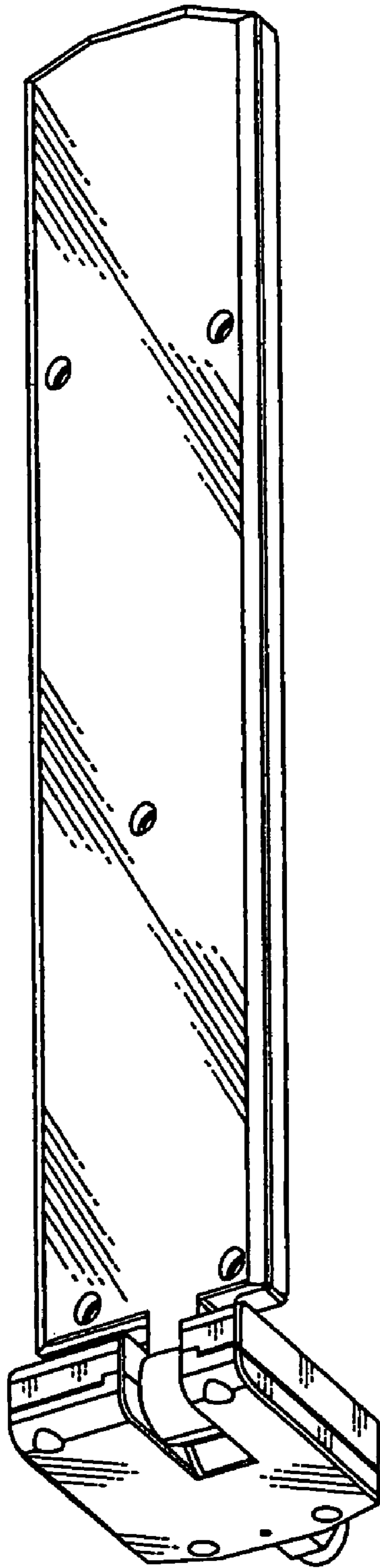


FIG.8

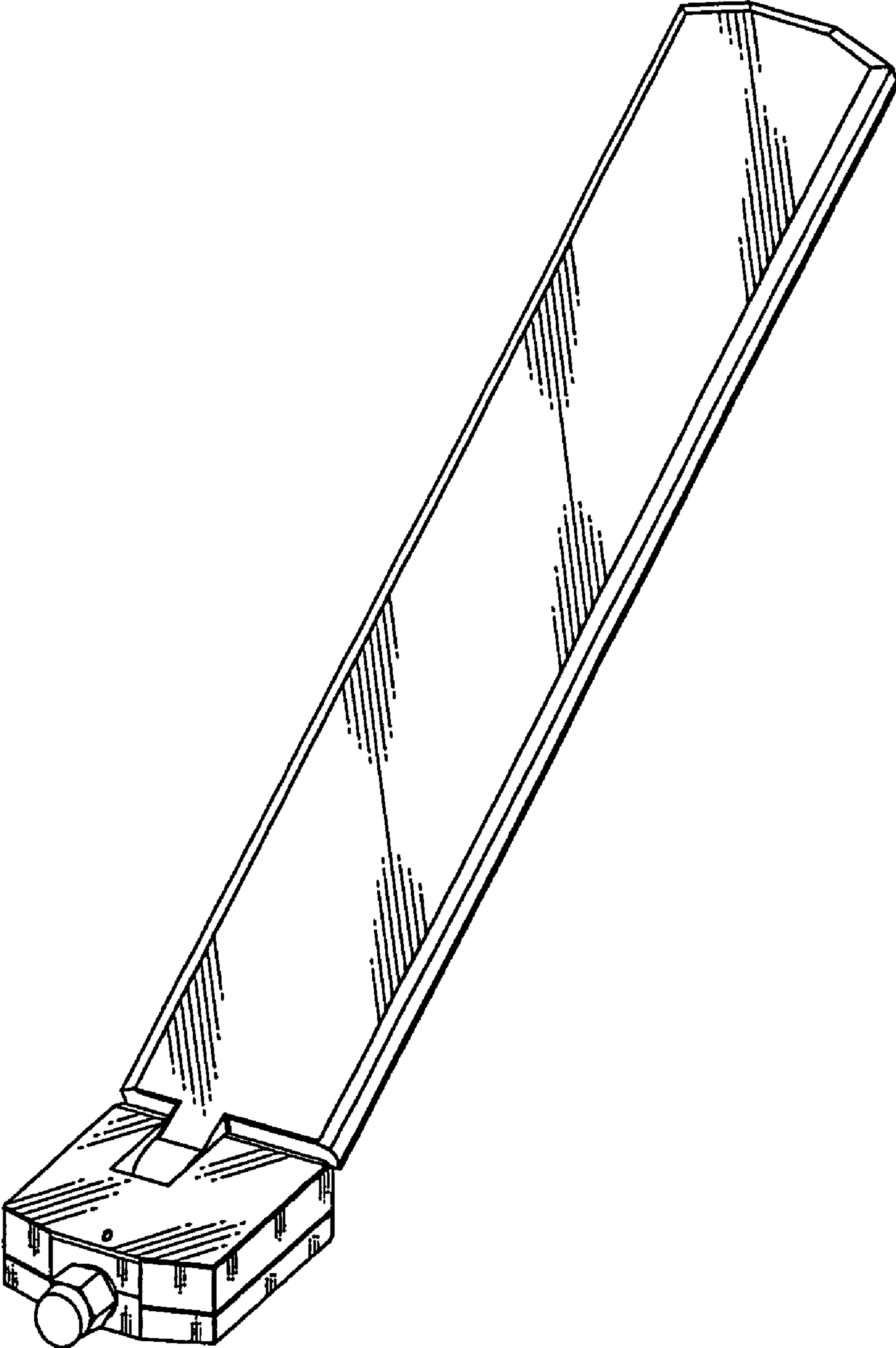


FIG.9

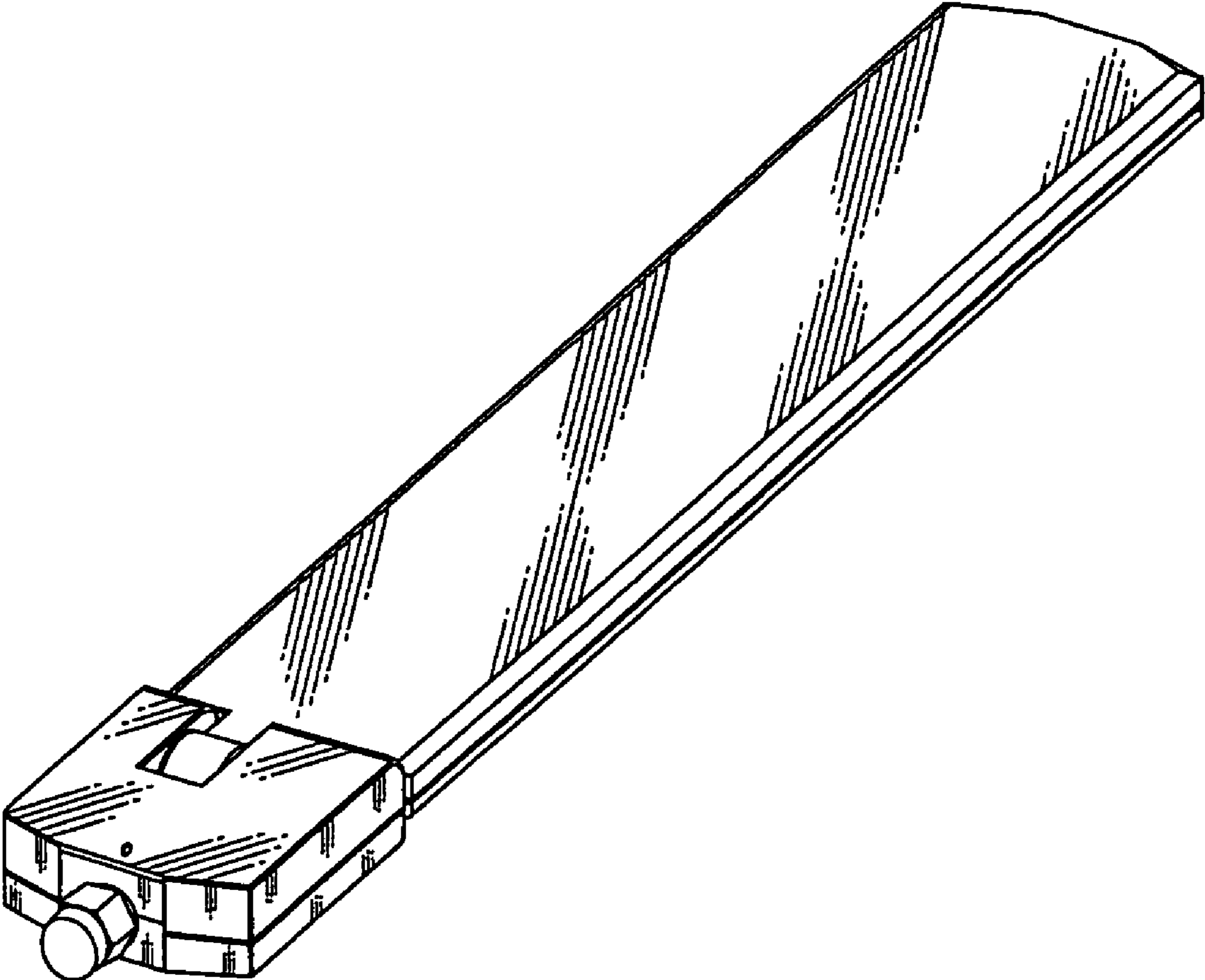


FIG.10

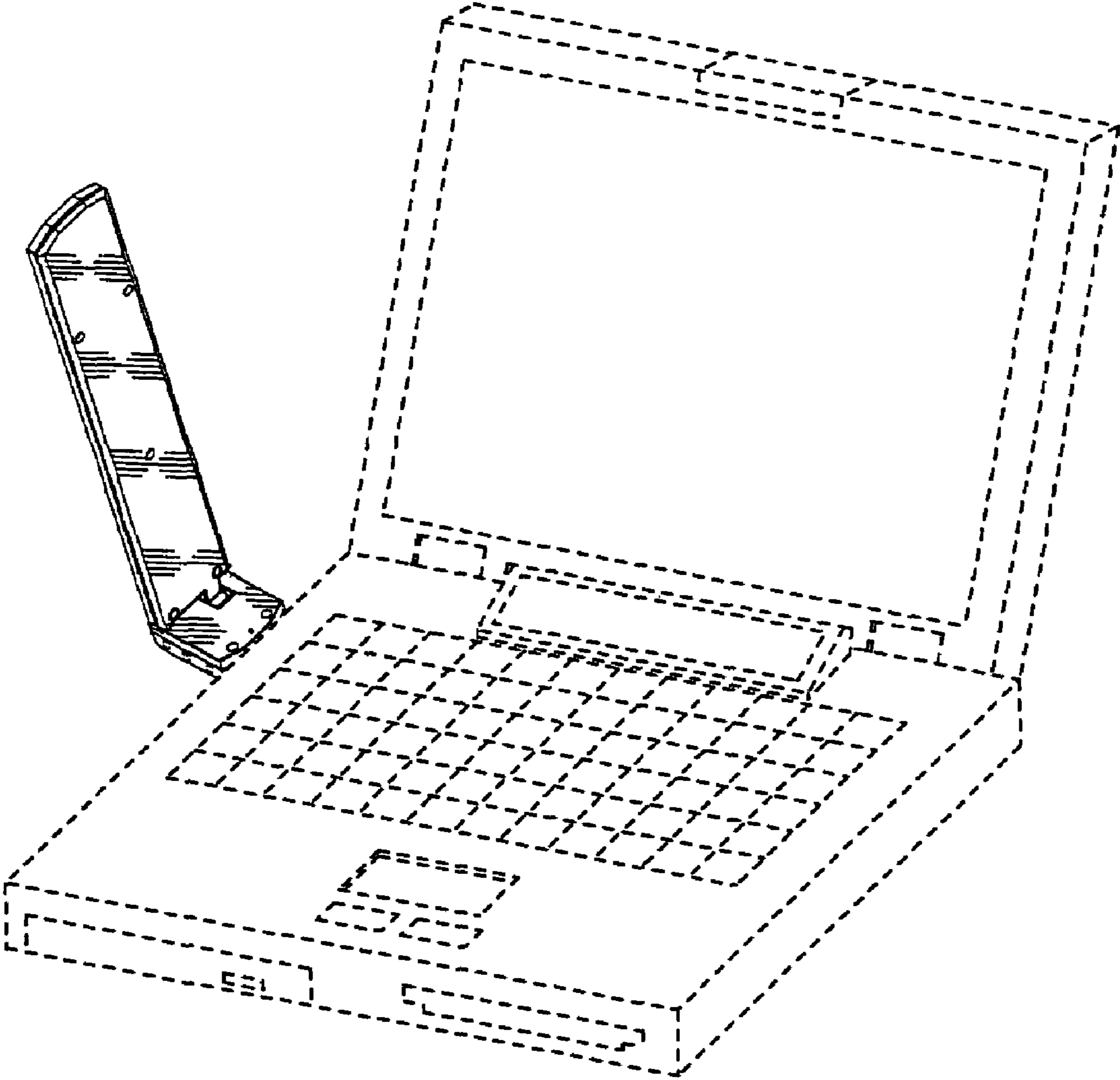


FIG. 11