



US00D559835S

(12) **United States Design Patent**
Marshall

(10) **Patent No.:** **US D559,835 S**
(45) **Date of Patent:** **** Jan. 15, 2008**

(54) **IN-WALL SPEAKER ENCLOSURE**

(75) Inventor: **Keith D. Marshall**, Pasadena, CA (US)

(73) Assignee: **Speakercraft, Inc.**, Riverside, CA (US)

(**) Term: **14 Years**

(21) Appl. No.: **29/262,422**

(22) Filed: **Jun. 29, 2006**

(51) **LOC (8) Cl.** **14-01**

(52) **U.S. Cl.** **D14/216**

(58) **Field of Classification Search** D14/204,
D14/209-216, 219-220; 181/143-144, 147-148,
181/150, 157, 198-199, 151, 153; 381/300-302,
381/306, 333, 345, 361-364, 386-388, 332,
381/336

See application file for complete search history.

(56) **References Cited**

U.S. PATENT DOCUMENTS

D244,698 S *	6/1977	Babb	D14/222
4,177,873 A *	12/1979	Ripple	181/199
D371,367 S *	7/1996	Bittencourt	D14/222

* cited by examiner

Primary Examiner—Nanda Bondade
(74) *Attorney, Agent, or Firm*—Hogan & Hartson LLP

(57) **CLAIM**

The design for an in-wall speaker enclosure, substantially as shown and described.

DESCRIPTION

FIG. 1 is a front view of the in-wall speaker enclosure showing my new design.

FIG. 2 is a left-side view of the in-wall speaker enclosure showing my new design.

FIG. 3 is a top view of the in-wall speaker enclosure showing my new design.

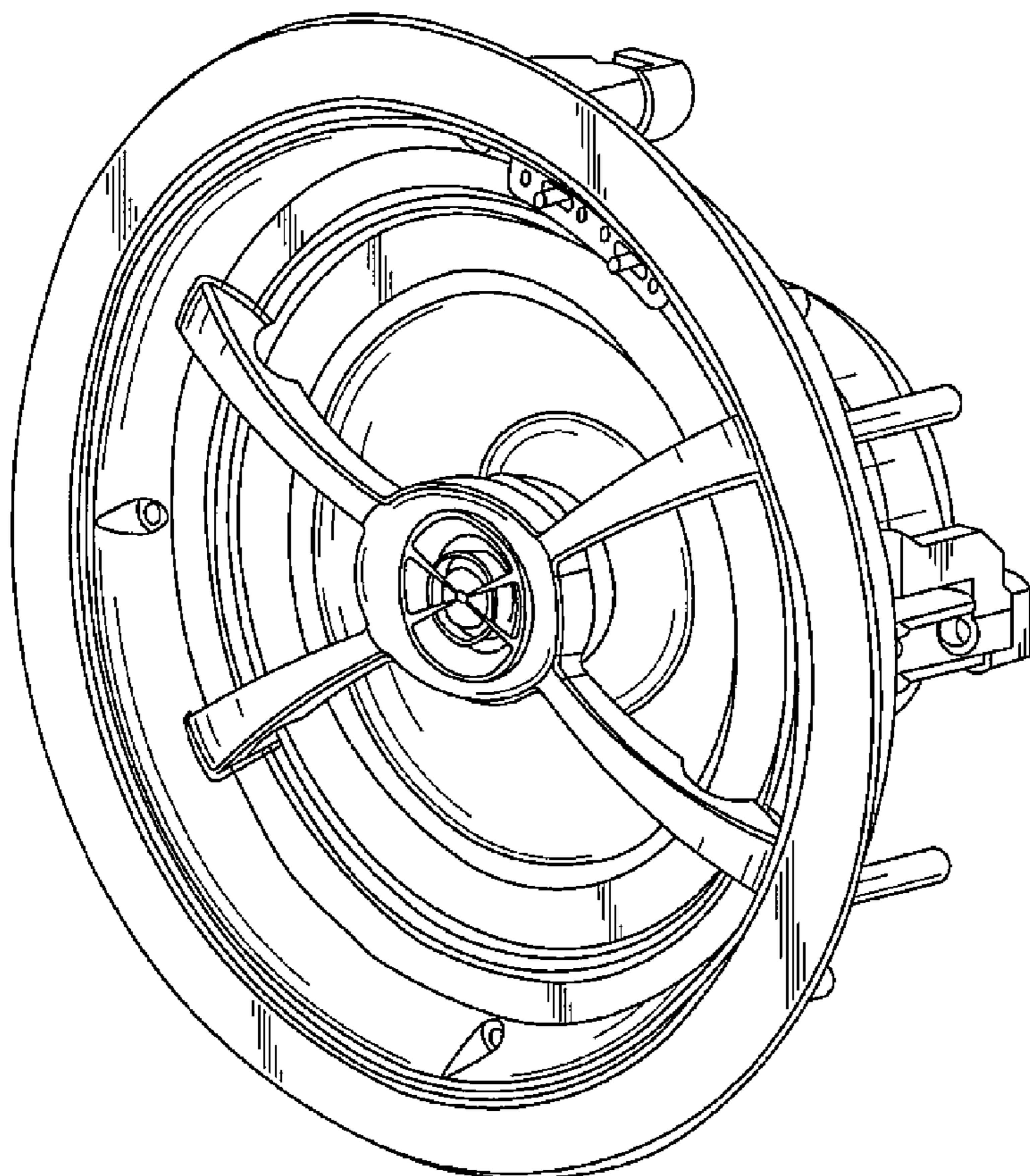
FIG. 4 is a right-side view of the in-wall speaker enclosure showing my new design.

FIG. 5 is a bottom view of the in-wall speaker enclosure showing my new design.

FIG. 6 is a rear view of the in-wall speaker enclosure showing my new design; and,

FIG. 7 is a front perspective view of the in-wall speaker enclosure showing my new design.

1 Claim, 5 Drawing Sheets



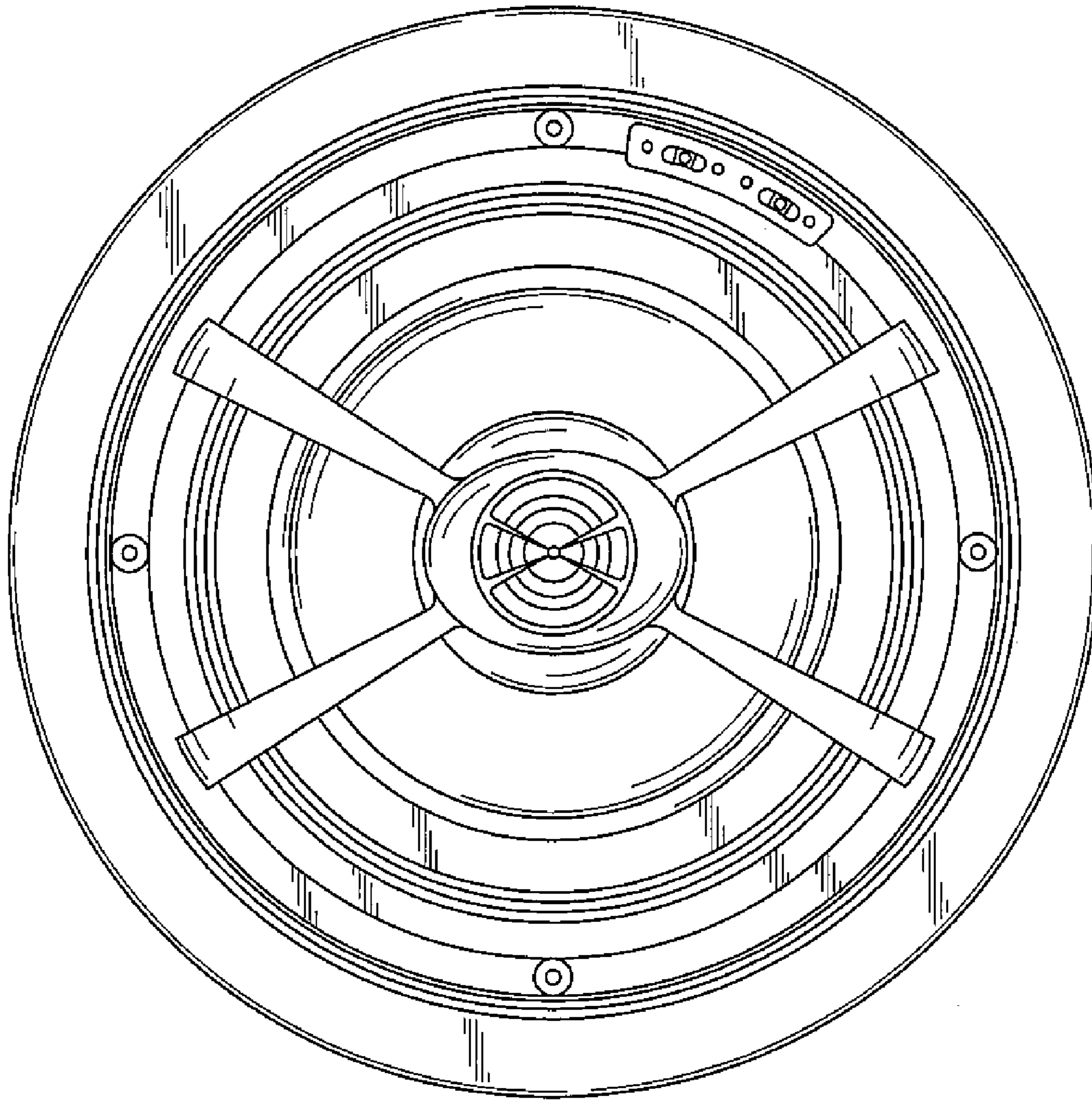


FIG. 1

FIG. 2

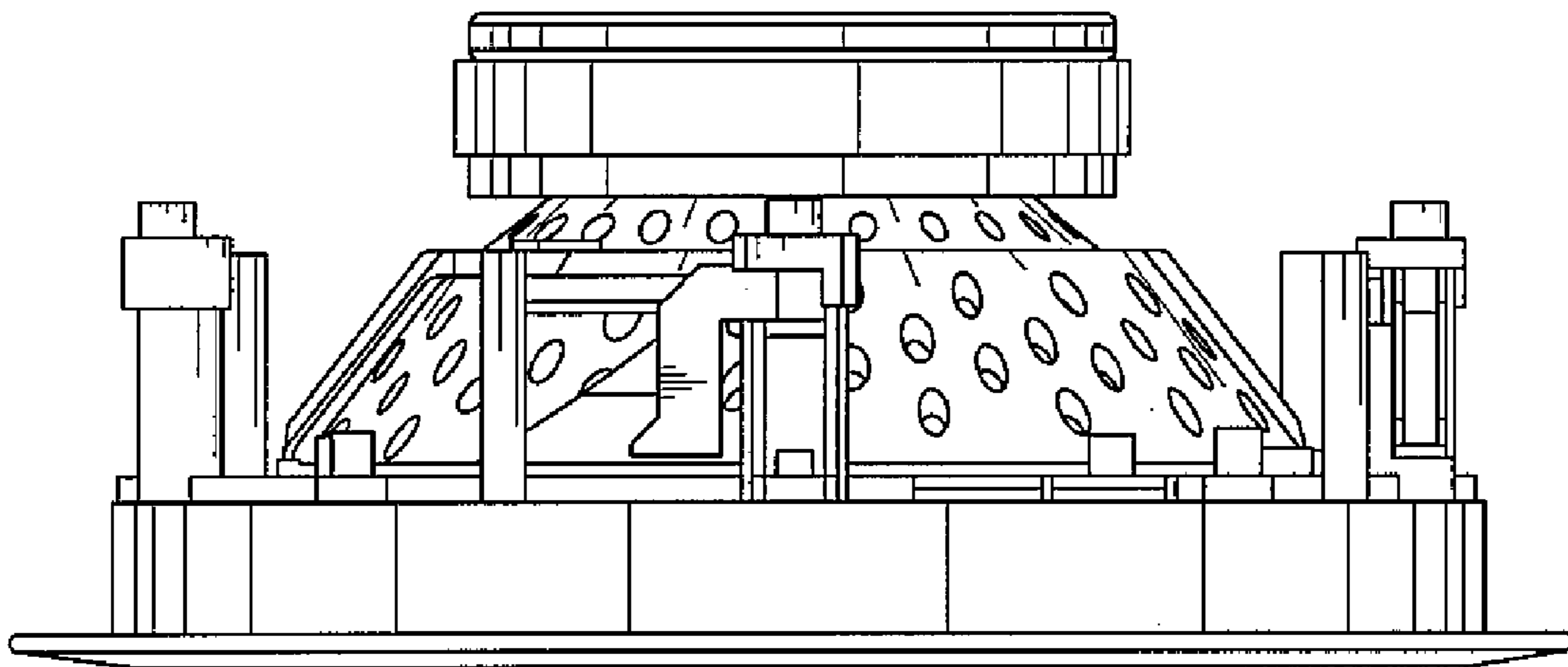
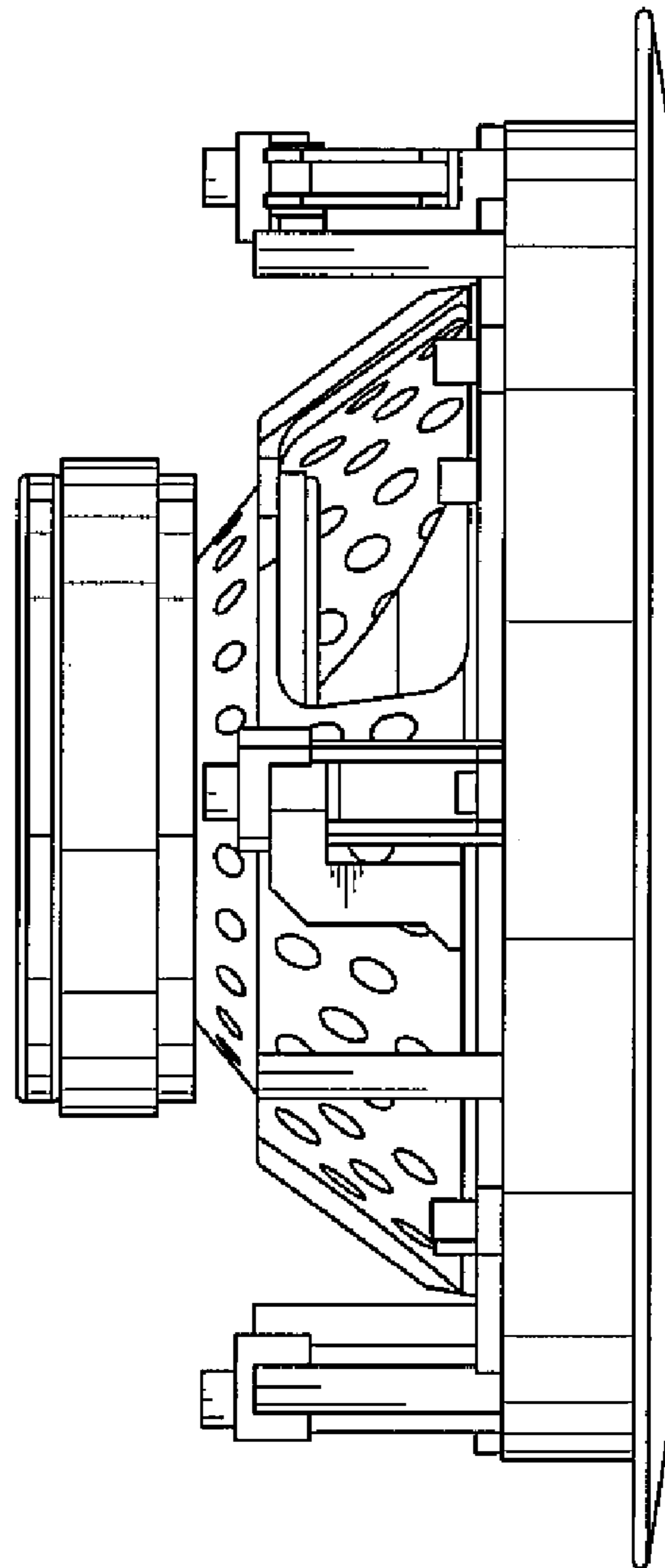


FIG. 3

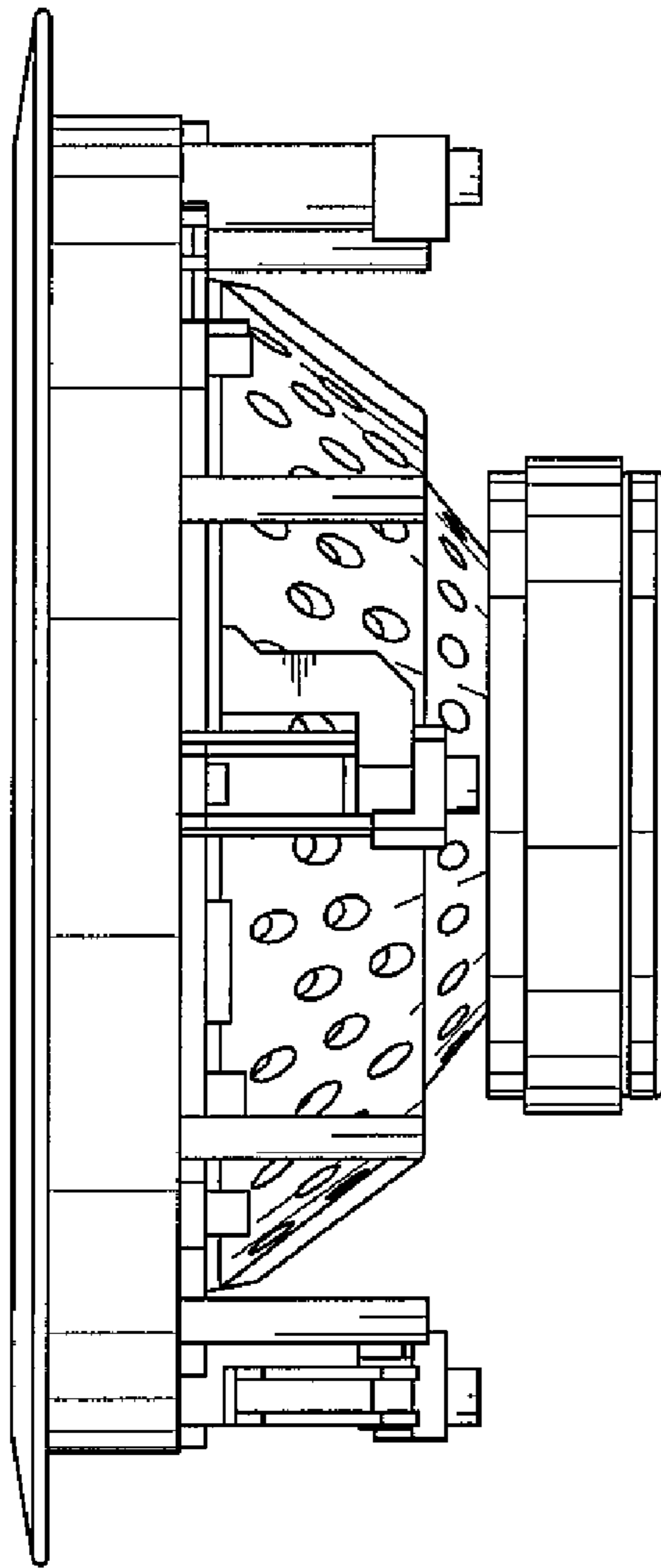


FIG. 4

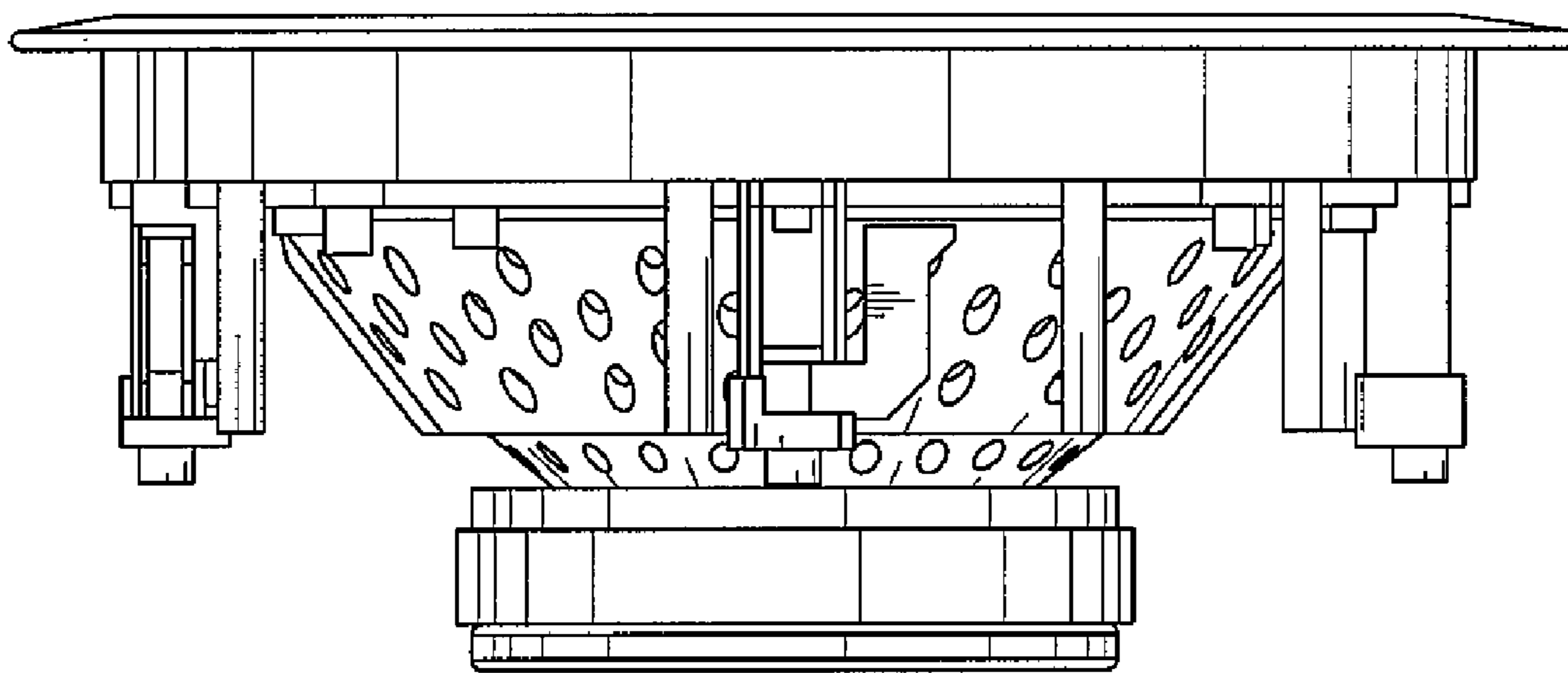


FIG. 5

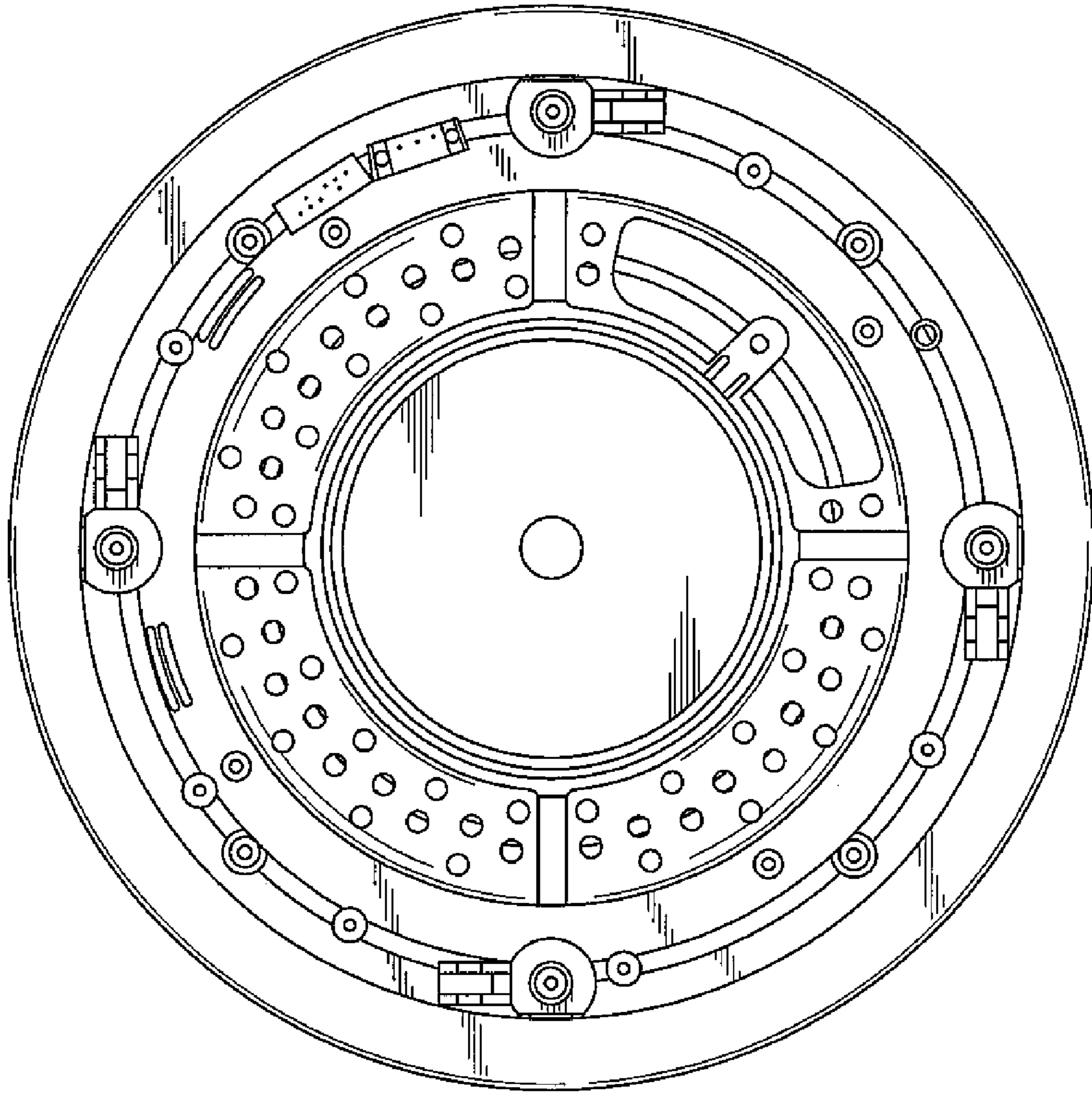


FIG. 6

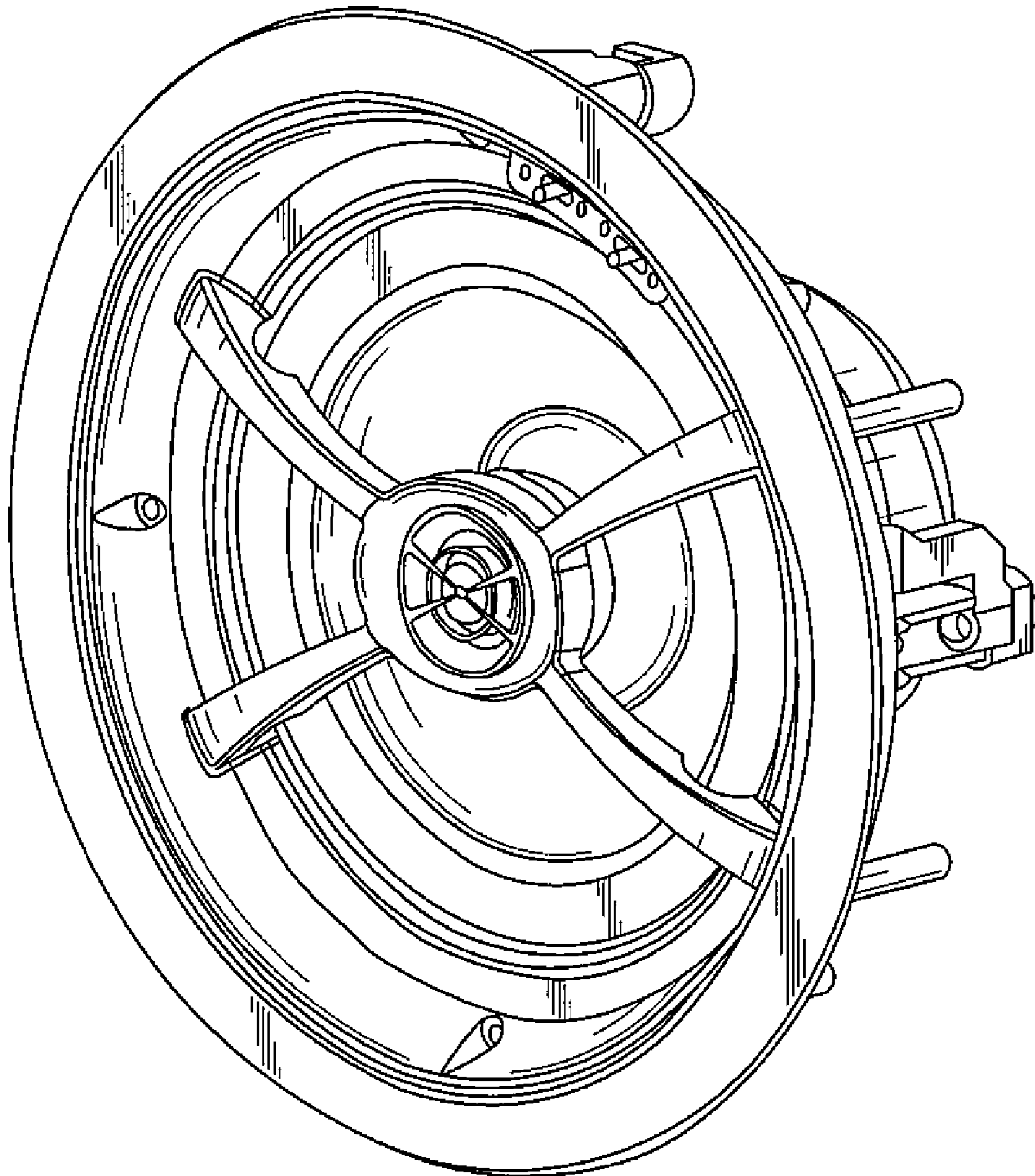


FIG. 7