



US00D559833S

(12) **United States Design Patent**
Skurdal

(10) **Patent No.:** **US D559,833 S**
(45) **Date of Patent:** **** Jan. 15, 2008**

(54) **WATER RESISTANT AMPLIFIER FOR A DIGITAL MEDIA PLAYER**

D530,304 S * 10/2006 Tse D14/168

* cited by examiner

(75) Inventor: **Andrew Skurdal**, Weehawken, NJ (US)

Primary Examiner—Nanda Bondade

(73) Assignee: **SDI Technologies, Inc.**, Rahway, NJ (US)

(74) *Attorney, Agent, or Firm*—Ostrolenk, Faber, Gerb & Soffen, LLP

(**) Term: **14 Years**

(57) **CLAIM**

(21) Appl. No.: **29/269,942**

The ornamental design for water resistant amplifier for a digital media player, as shown and described.

(22) Filed: **Dec. 12, 2006**

DESCRIPTION

(51) **LOC (8) Cl.** **14-01**

(52) **U.S. Cl.** **D14/214; D14/168**

(58) **Field of Classification Search** D14/204, D14/209–217, 168, 172, 188, 496, 196, 198; 181/143–144, 147–148, 150, 157, 198–199, 181/151, 153; 381/300–302, 306, 333, 345, 381/361–364, 386–388, 332, 336; 455/573, 455/344, 130

FIG. 1 is a front, right side perspective view of a water resistant amplifier for a digital media player showing my new design;

FIG. 2 is a front view thereof;

FIG. 3 is a right side view thereof;

FIG. 4 is a left side view thereof;

FIG. 5 is a top view thereof;

FIG. 6 is a bottom view thereof;

FIG. 7 is a rear view thereof; and,

FIG. 8 is a perspective view thereof in an alternate condition without a handle.

See application file for complete search history.

(56) **References Cited**

U.S. PATENT DOCUMENTS

- D450,047 S * 11/2001 Kim D14/156
- D472,230 S * 3/2003 Chan D14/198
- D500,020 S * 12/2004 Tanaka D14/168

1 Claim, 7 Drawing Sheets

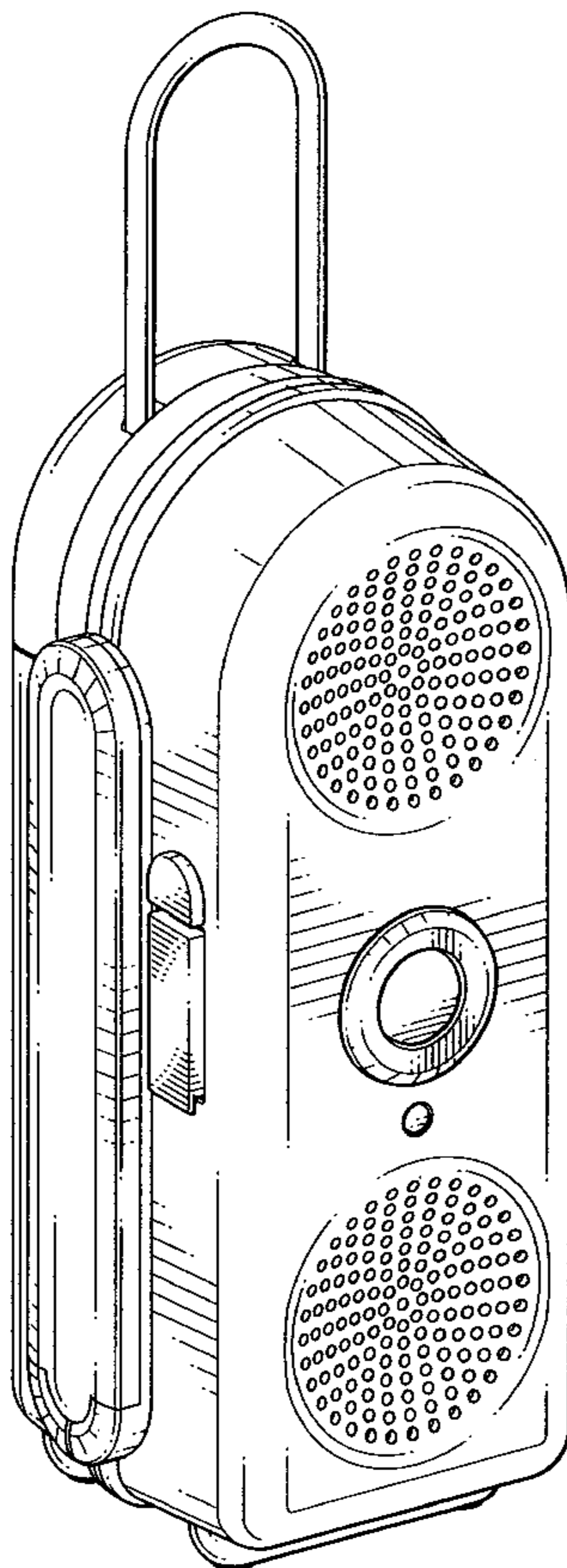


FIG. 1

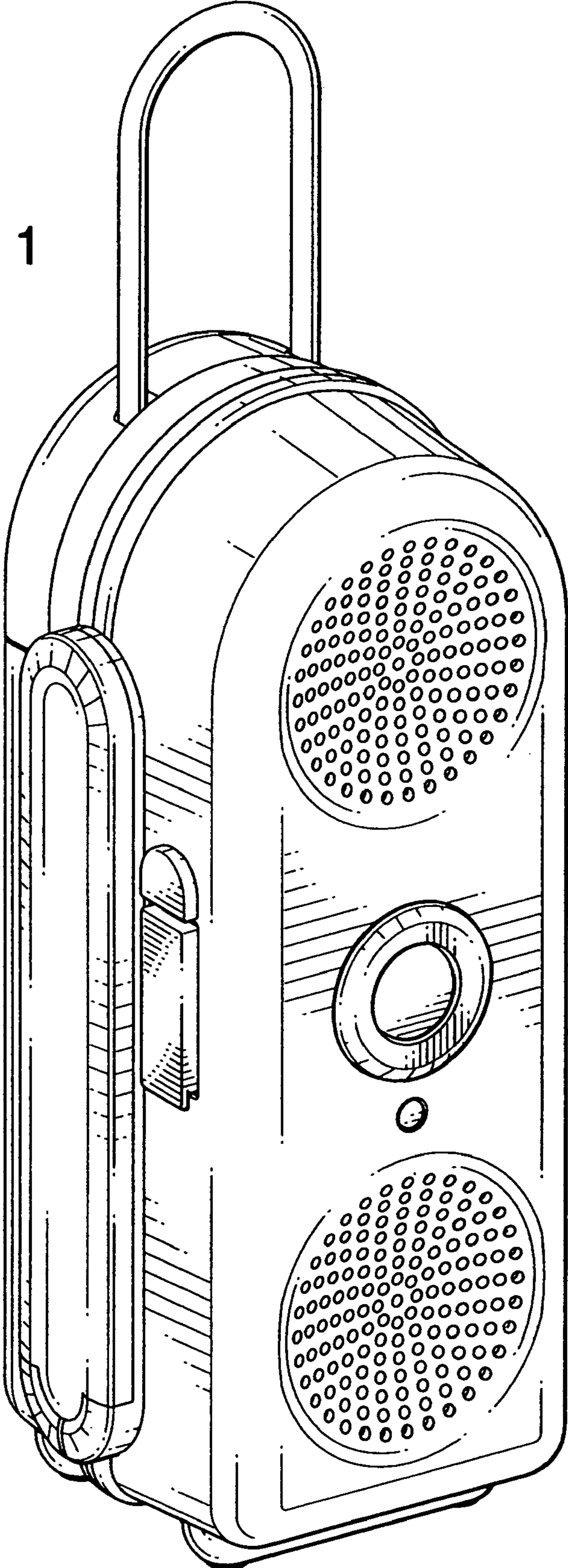


FIG. 2

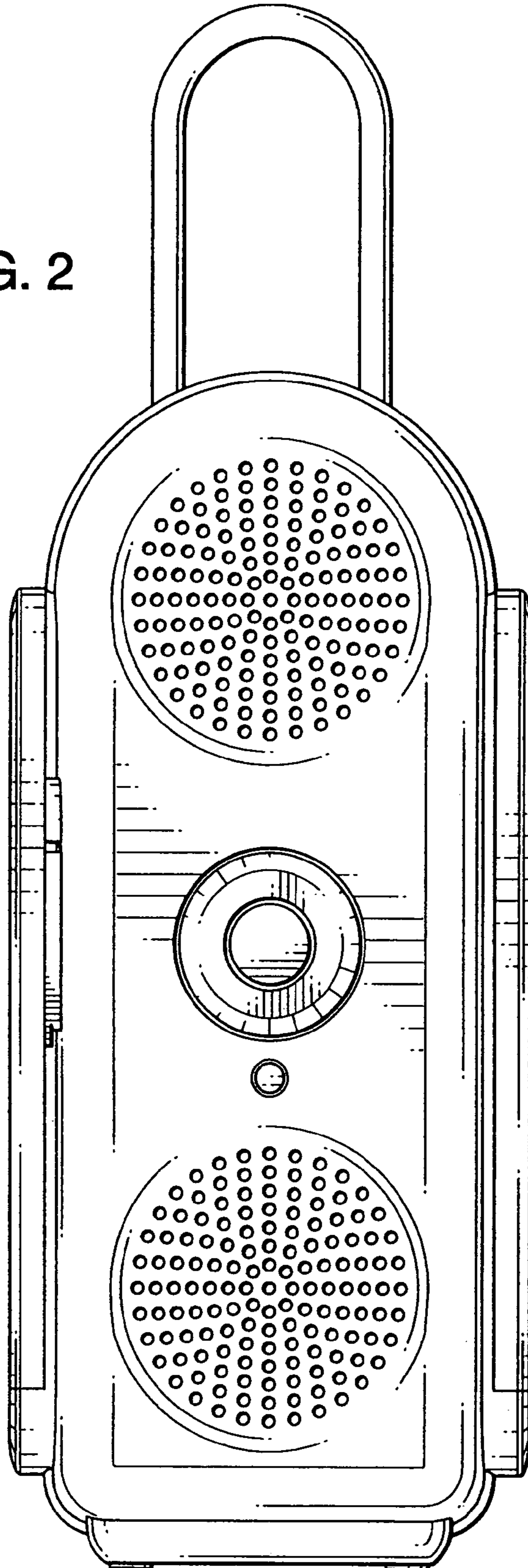
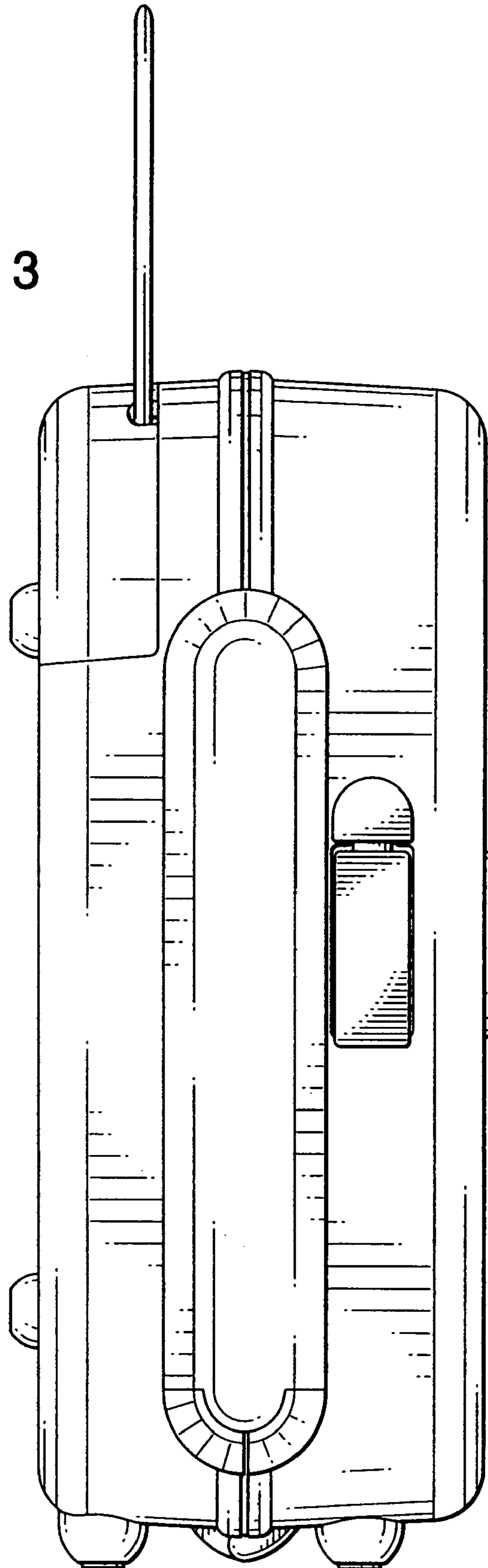


FIG. 3



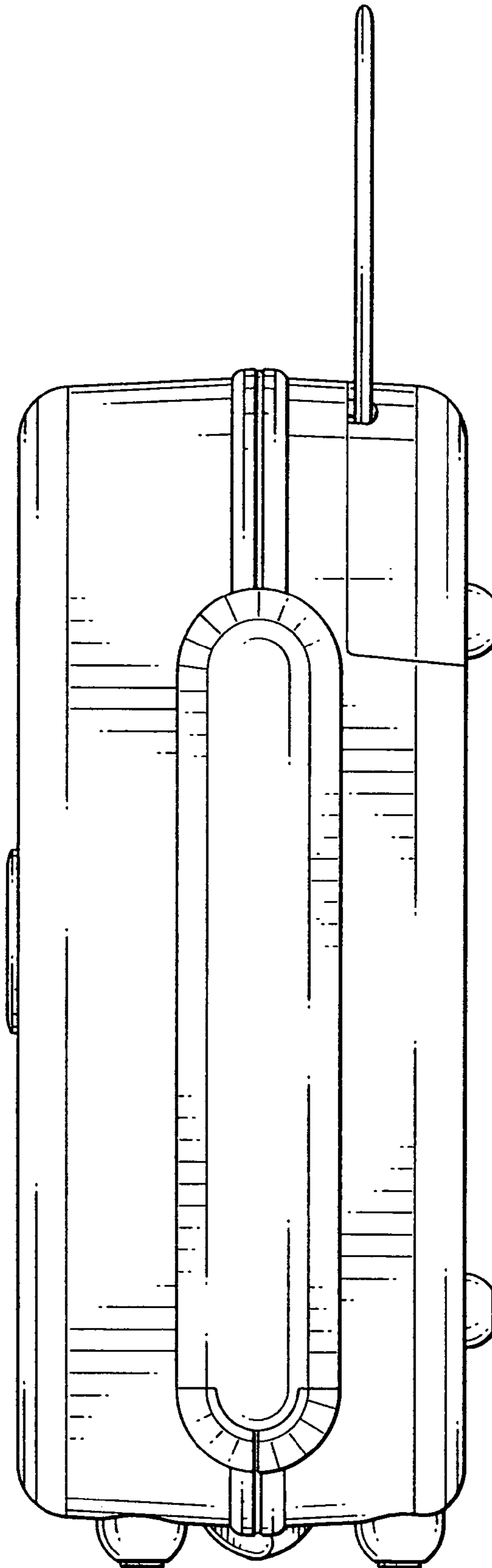


FIG. 4

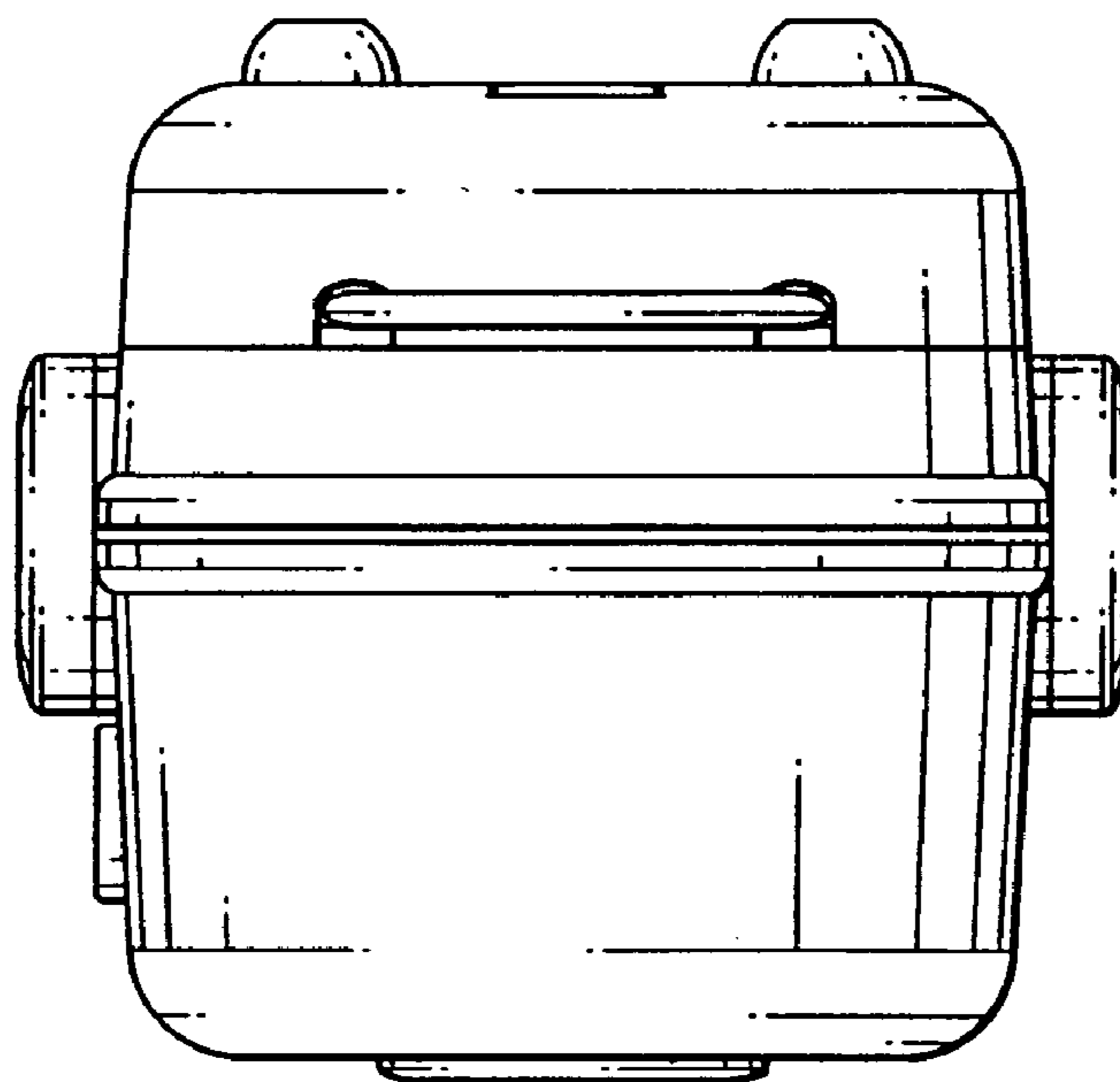


FIG. 5

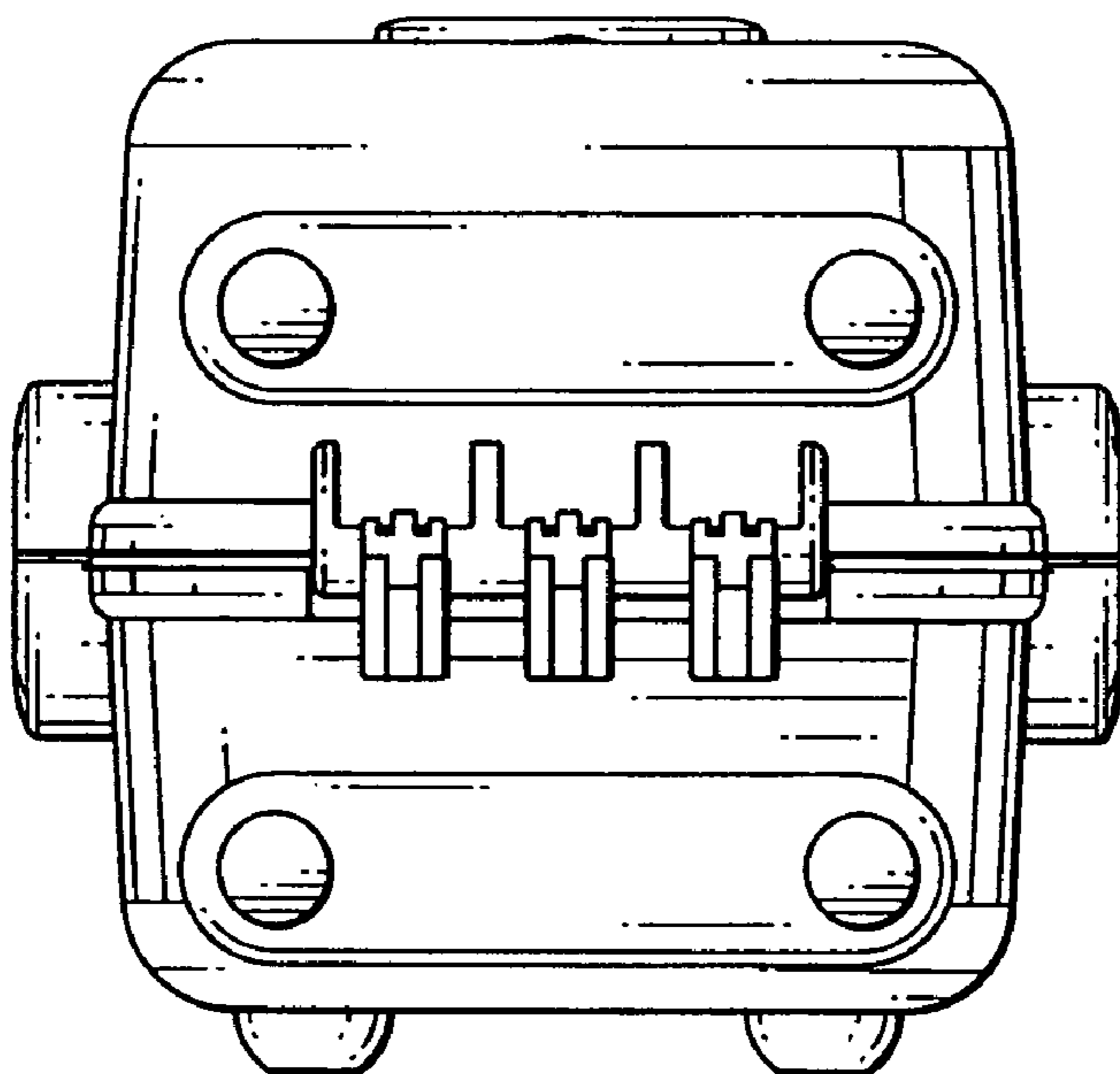


FIG. 6

FIG. 7

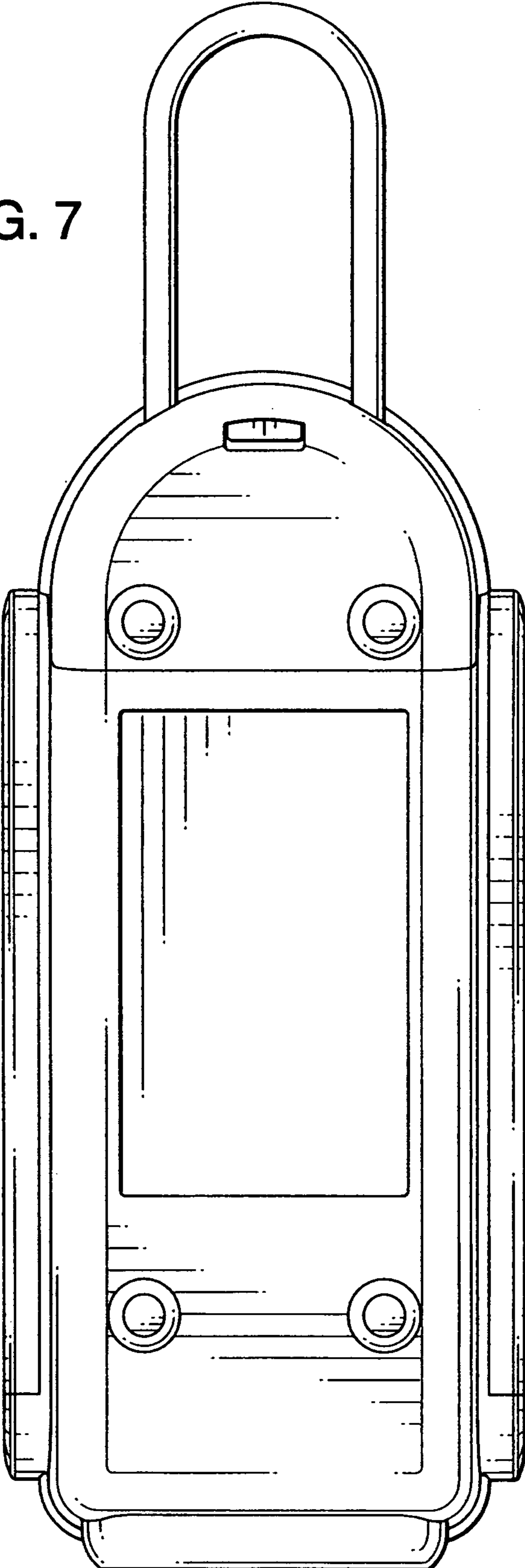


FIG. 8

