



US00D559830S

(12) **United States Design Patent**
Lintern

(10) **Patent No.:** **US D559,830 S**
(45) **Date of Patent:** **** Jan. 15, 2008**

(54) **FOLDABLE MEGAPHONE**

(76) **Inventor:** **Neil G. Lintern**, 12 YR Hendre
Nantgarw, Cardiff, Wales (GB)

(**) **Term:** **14 Years**

(21) **Appl. No.:** **29/233,570**

(22) **Filed:** **Jul. 6, 2005**

(51) **LOC (8) Cl.** **14-03**

(52) **U.S. Cl.** **D14/187**

(58) **Field of Classification Search** D14/187,
D14/204, 185; D10/120; D16/132, 135;
D21/483, 405, 401; 116/137 R; 181/177,
181/178, 184, 187, 188; 381/75, 175, 177,
381/182; 446/397, 484, 901
See application file for complete search history.

(56) **References Cited**

U.S. PATENT DOCUMENTS

786,395	A *	4/1905	Zellers	181/178
936,910	A *	10/1909	Kingsley	181/178
1,158,871	A *	11/1915	Tomlin	181/178
1,300,644	A	4/1919	Phillips		
2,517,665	A *	8/1950	Hochstein	181/178
2,790,504	A *	4/1957	Hooe	181/178
2,810,446	A *	10/1957	Hooe	181/178
4,613,012	A *	9/1986	Mueller, III	181/178
4,703,829	A *	11/1987	Hardt	181/178

D299,362	S	1/1989	Malfitano		
5,903,927	A	5/1999	Wolfe et al.		
7,181,858	B2 *	2/2007	Haug	33/544.4
2006/0266579	A1 *	11/2006	Stern et al.	181/178

FOREIGN PATENT DOCUMENTS

GB REG. D2041864 * 3/1994

OTHER PUBLICATIONS

Sports Artifacts, <http://www.sportsartifacts.com/vintagememo.html>, May 16, 2007, 4pgs. □□*

C.R.O.B.I.K.E. Technology, <http://www.crobike.de>, May 16, 2007, 2pgs.*

* cited by examiner

Primary Examiner—Stella Reid

Assistant Examiner—Keli' L. Acker

(74) *Attorney, Agent, or Firm*—Raymond M. Galasso;
Galasso & Associates, LP

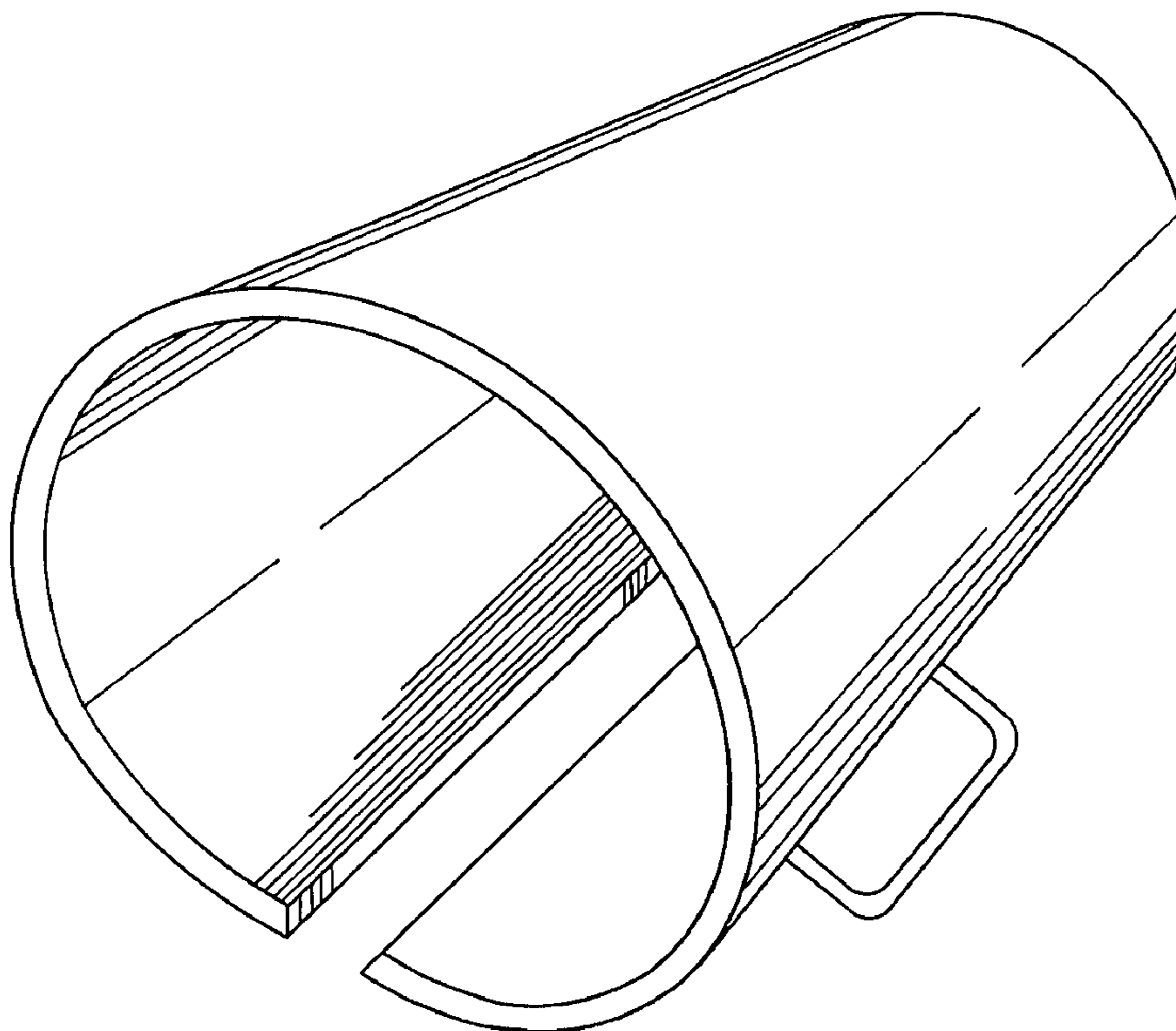
(57) **CLAIM**

The ornamental design for a foldable megaphone, as shown.

DESCRIPTION

FIG. 1 is a front perspective view of the foldable megaphone, in a folded position, showing my new design; and, FIG. 2 is an outside view of the foldable megaphone, in an open position, as depicted in FIG. 1.

1 Claim, 2 Drawing Sheets



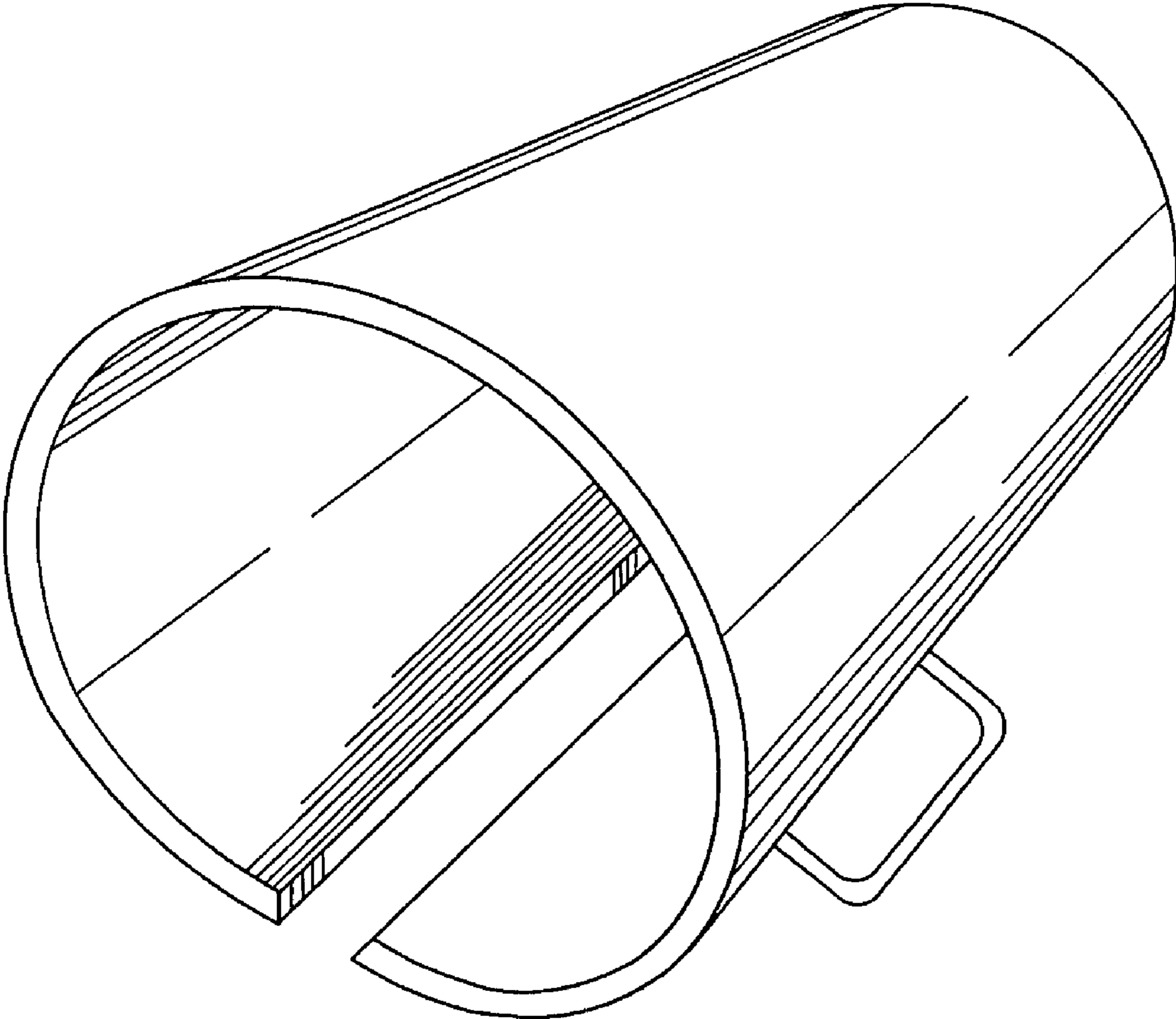


FIG. 1

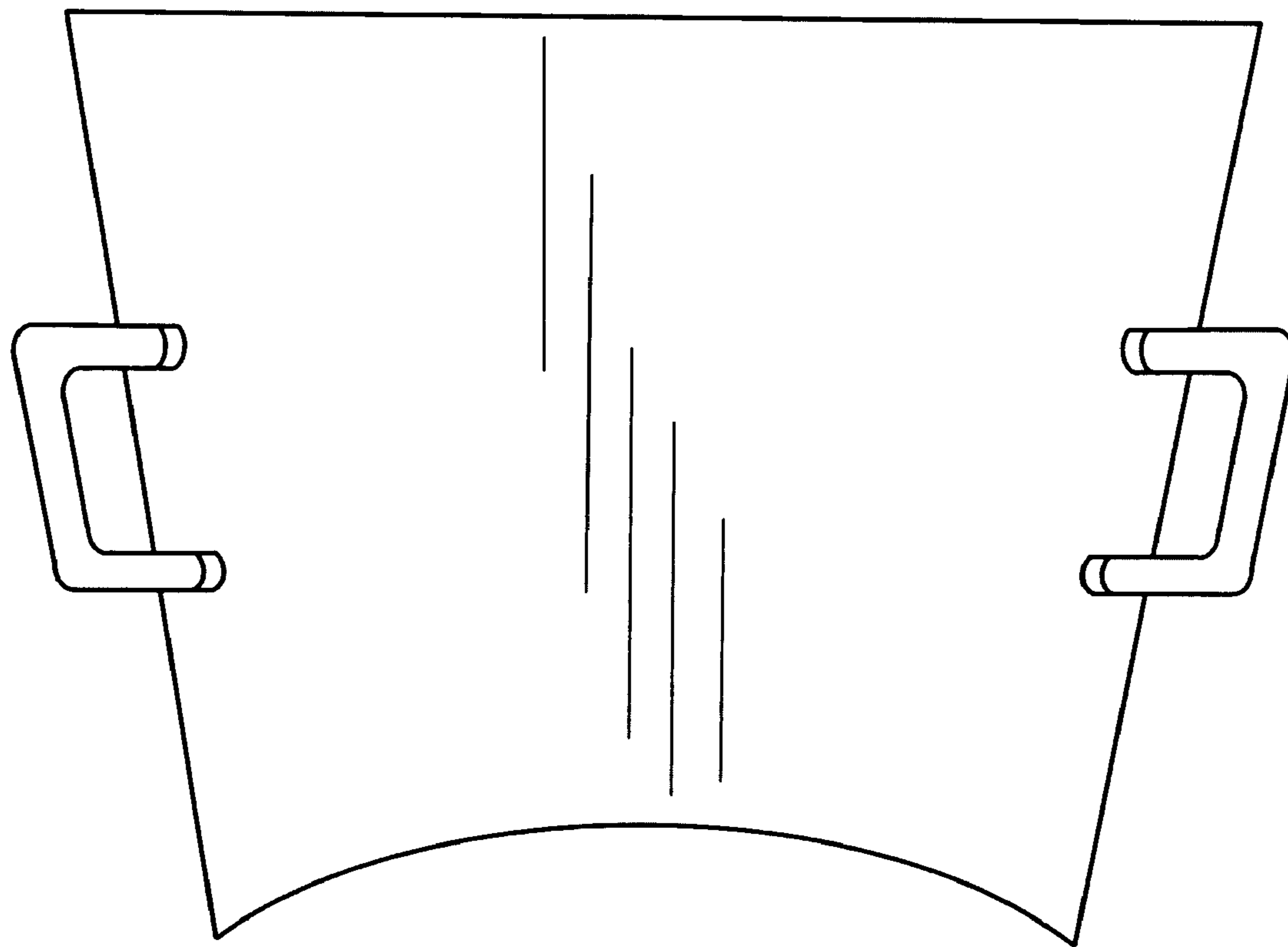


FIG. 2