



US00D559826S

(12) **United States Design Patent** (10) **Patent No.:** **US D559,826 S**  
**Lee** (45) **Date of Patent:** **\*\* Jan. 15, 2008**

(54) **MOBILE PHONE**  
(75) Inventor: **Young-Keun Lee**, Seoul (KR)  
(73) Assignee: **Samsung Electronics Co., Ltd.**,  
Suwon-Si (KR)  
(\*\*) Term: **14 Years**  
(21) Appl. No.: **29/266,318**  
(22) Filed: **Sep. 19, 2006**

(30) **Foreign Application Priority Data**  
Jul. 31, 2006 (KR) ..... 30-2006-0032023

(51) **LOC (8) Cl.** ..... **14-03**  
(52) **U.S. Cl.** ..... **D14/138**  
(58) **Field of Classification Search** ..... D14/137,  
D14/138, 147, 218, 341-347, 496; 455/90.3,  
455/556.1, 556.2, 575.1, 575.3, 575.4; 379/433.01-433.13;  
361/814; 348/14.02

See application file for complete search history.

(56) **References Cited**

**U.S. PATENT DOCUMENTS**

D412,168 S *	7/1999	Phillips et al.	.....	D14/138
D502,160 S *	2/2005	Chen et al.	.....	D14/138
D512,393 S *	12/2005	Lee et al.	.....	D14/138
D515,060 S *	2/2006	Lee et al.	.....	D14/138
D515,537 S *	2/2006	Kim et al.	.....	D14/138
D524,781 S *	7/2006	Lyles	.....	D14/138
D525,608 S *	7/2006	Ryu	.....	D14/138
D527,364 S *	8/2006	Lee et al.	.....	D14/138
D527,367 S *	8/2006	Yun et al.	.....	D14/138
D527,368 S *	8/2006	Kim et al.	.....	D14/138
D527,369 S *	8/2006	Chung et al.	.....	D14/138
D527,716 S *	9/2006	Kim et al.	.....	D14/138
D528,092 S *	9/2006	Lee et al.	.....	D14/138
D528,095 S *	9/2006	Kwon et al.	.....	D14/138
D530,696 S *	10/2006	Lee	.....	D14/138
D531,610 S *	11/2006	Kim et al.	.....	D14/138
D535,968 S *	1/2007	Lee	.....	D14/138
D539,778 S *	4/2007	Yeh et al.	.....	D14/138
D543,189 S *	5/2007	Jung et al.	.....	D14/138
D543,523 S *	5/2007	Lee et al.	.....	D14/138

2004/0242264 A1\* 12/2004 Cho ..... 455/550.1  
2005/0124394 A1\* 6/2005 Kim et al. .... 455/575.3

**OTHER PUBLICATIONS**

Samsung Z320i, announced 4th quarter 2005, [online], [retrieved on Feb. 8, 2007]. Retrieved from Internet ,<URL: http://www.gsmarena.com>.\*  
Samsung D820, announced 4th quarter 2005, [online], [retrieved on Feb. 8, 2007]. Retrieved from Internet ,<URL: http://www.gsmarena.com>.\*

(Continued)

*Primary Examiner*—Jeffrey Asch  
*Assistant Examiner*—Bridget L Eland  
(74) *Attorney, Agent, or Firm*—Staas & Halsey LLP

(57) **CLAIM**

The ornamental design for a mobile phone, as shown and described.

**DESCRIPTION**

FIG. 1 is a perspective view of the mobile phone showing my design;

FIG. 2 is a front view thereof;

FIG. 3 is a rear view thereof;

FIG. 4 is a left side view thereof;

FIG. 5 is a right side view thereof;

FIG. 6 is a top plan view thereof;

FIG. 7 is a bottom plan view thereof; and

FIG. 8 is a front, perspective open view thereof;

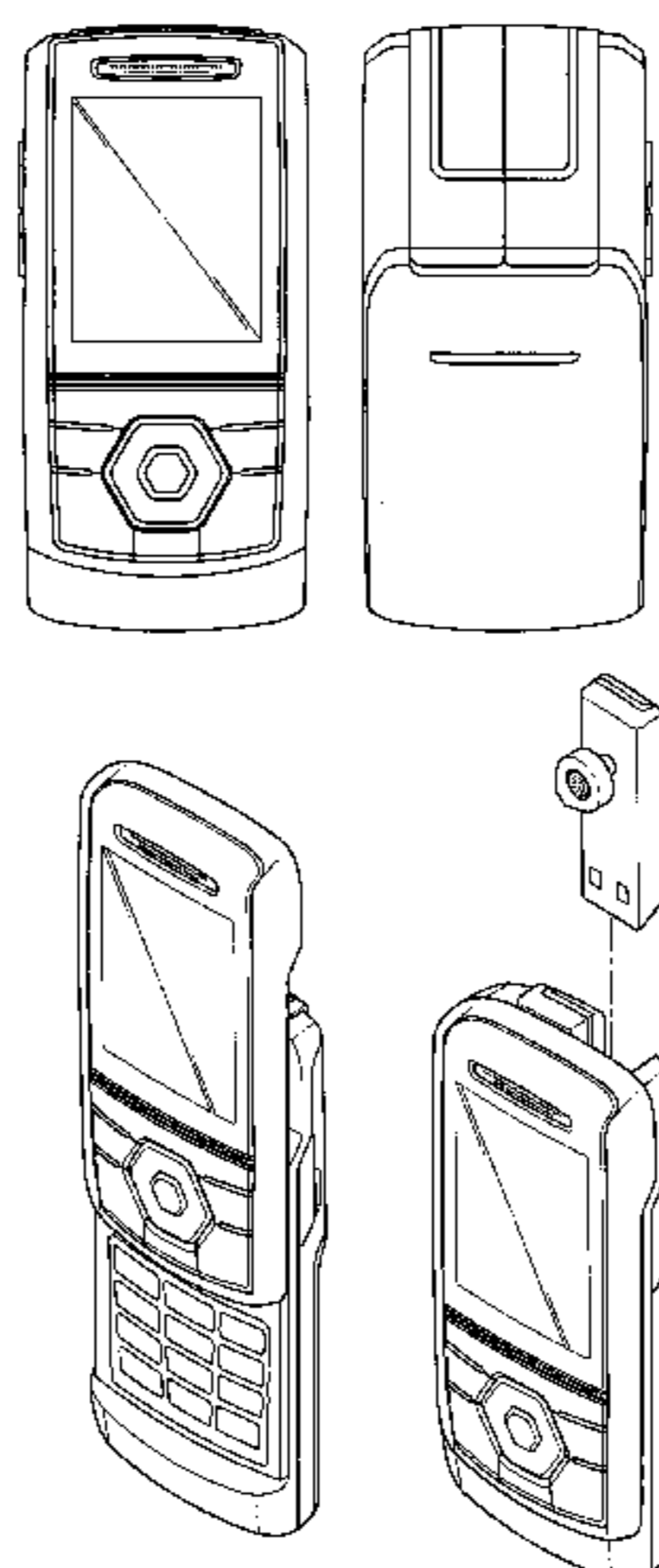
FIG. 9 is a front perspective view showing an earphone removed;

FIG. 10 is a rear perspective view of the mobile phone as shown in FIG. 8; and,

FIG. 11 is a rear perspective view of the mobile phone as shown in FIG. 9.

The dashed lines in FIGS. 8 and 10 indicate the path along which the earphone has been exploded from the handset.

**1 Claim, 5 Drawing Sheets**



OTHER PUBLICATIONS

Gigabyte g-Smart, announced 2005, [online], [retrieved on Feb. 20, 2007]. Retrieved from Internet ,<URL: <http://www.gsmarena.com>>.\*

Samsung S400i, announced Feb. 2006, [online], [retrieved on Feb. 8, 2007]. Retrieved from Internet ,<URL: <http://www.gsmarena.com>>.\*

\* cited by examiner

FIG. 1

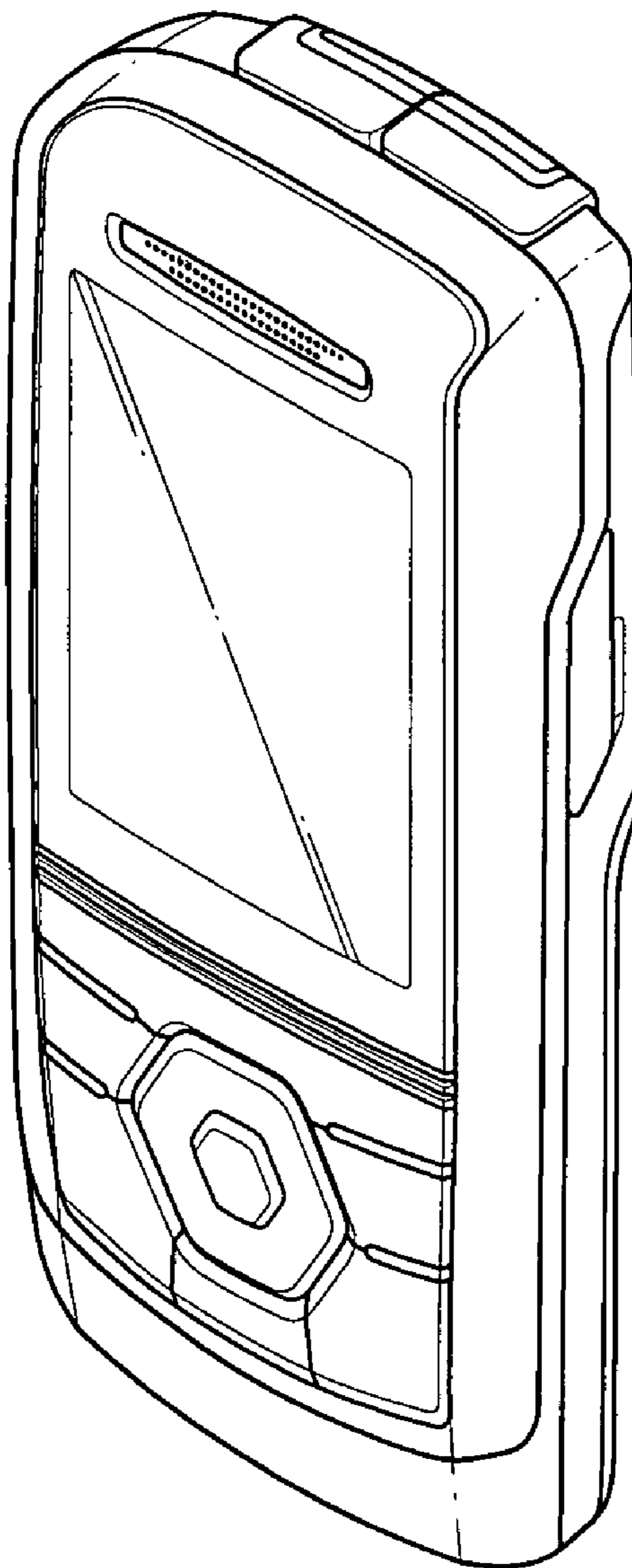


FIG.2

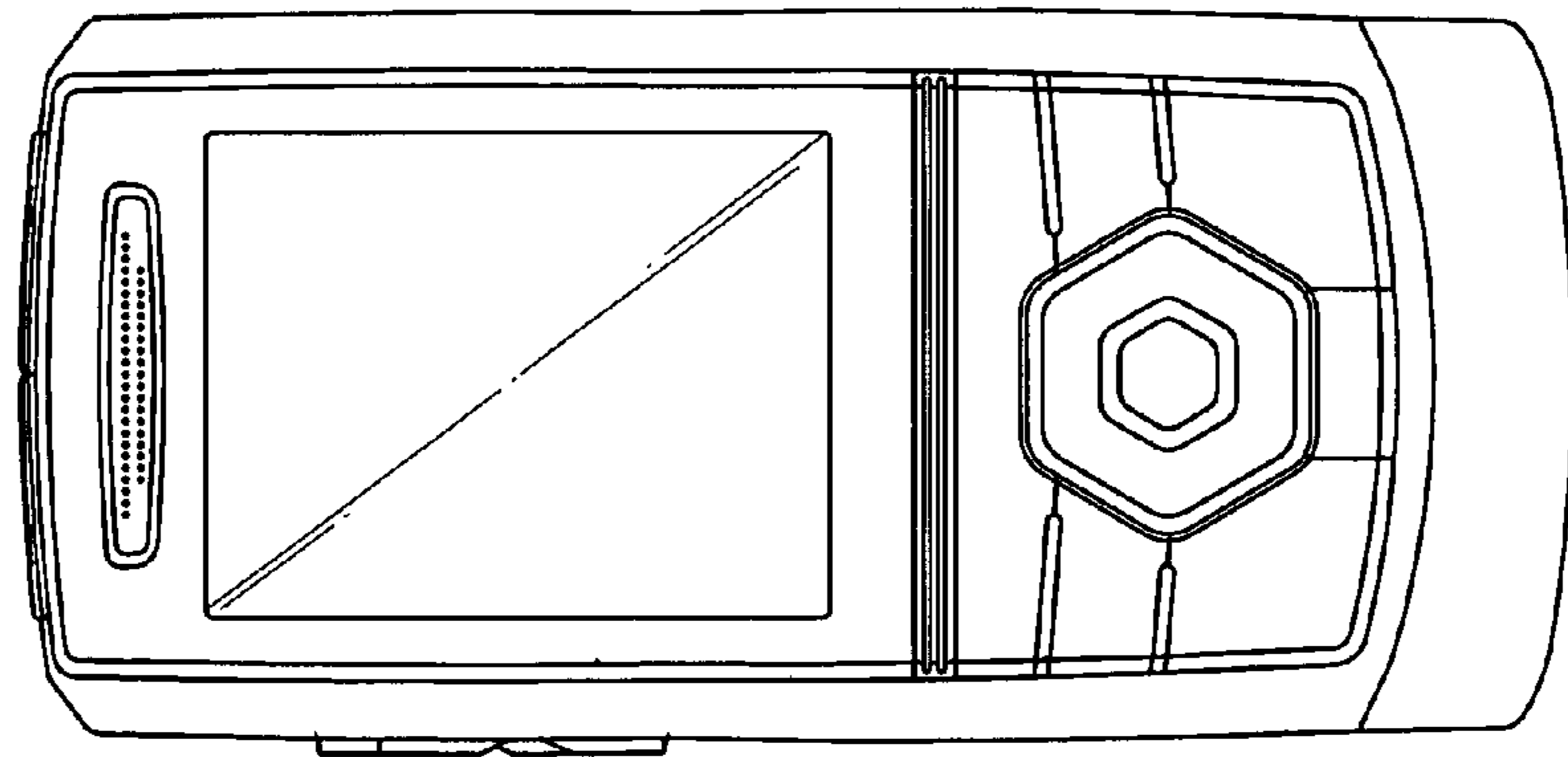


FIG.3

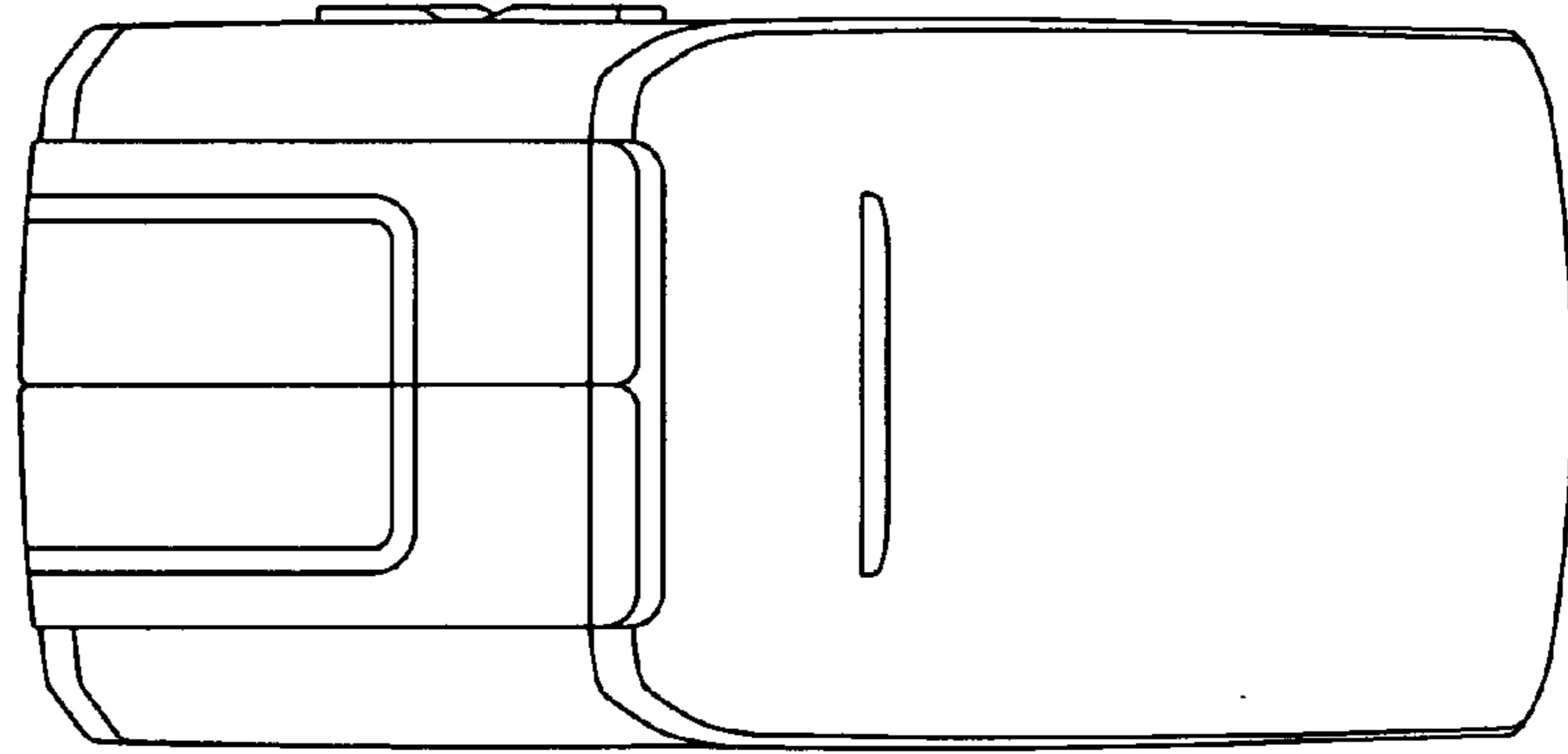


FIG.4

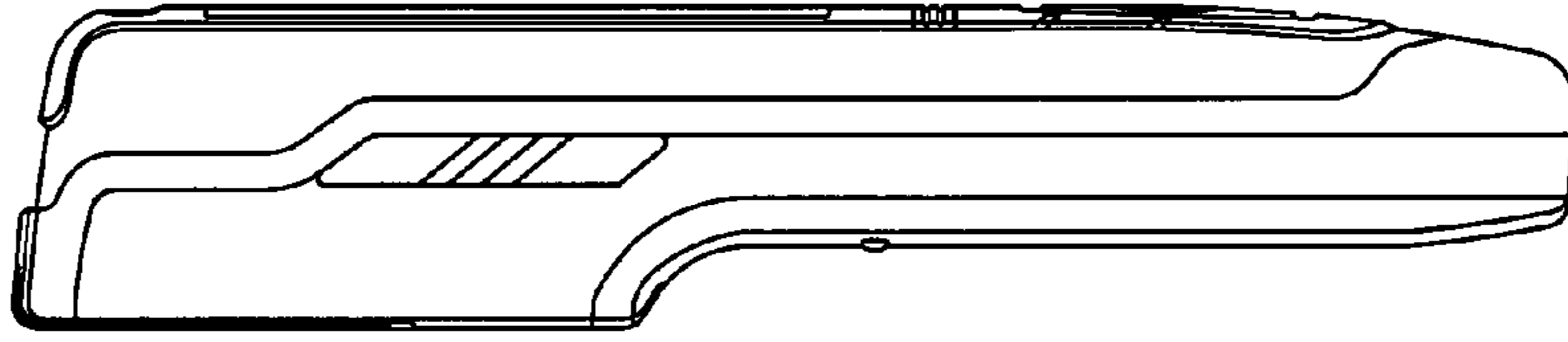


FIG.5

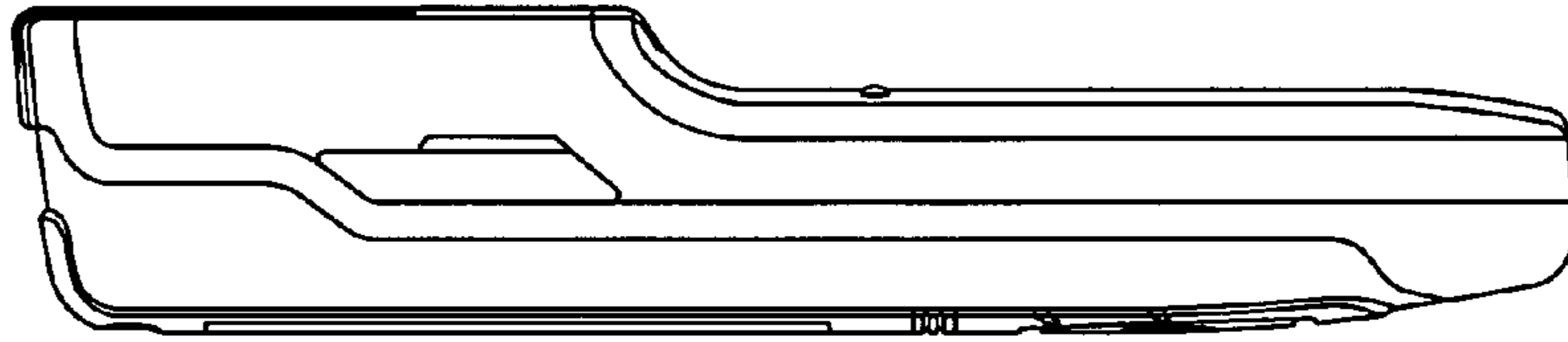


FIG.6

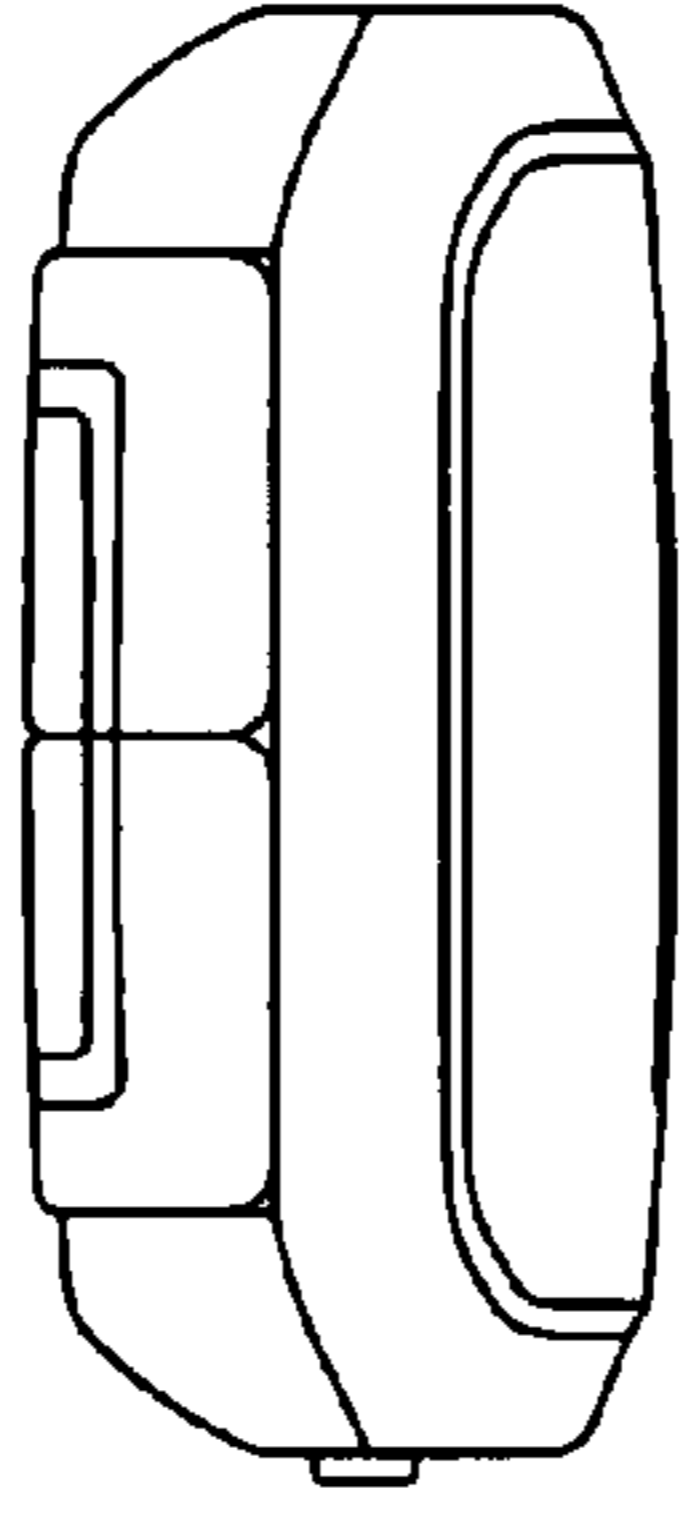


FIG.7

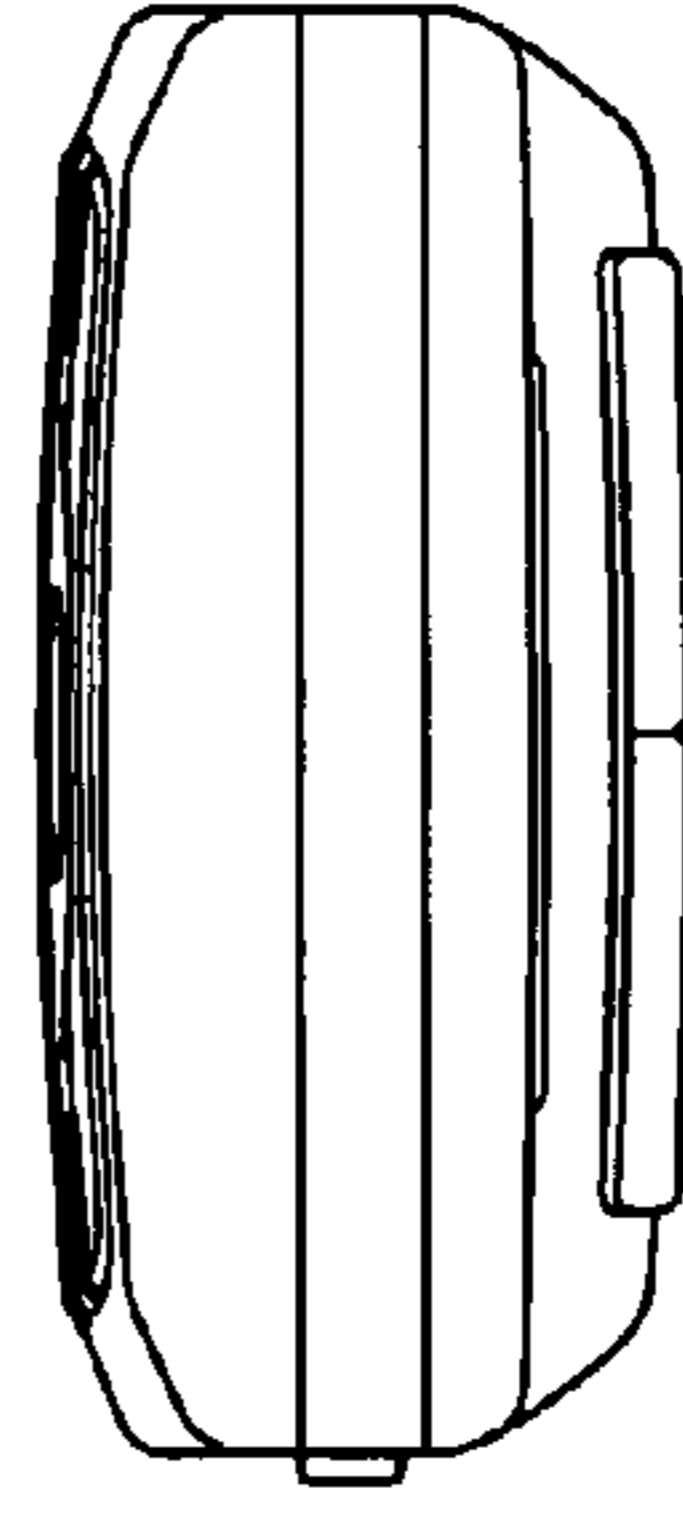


FIG. 8

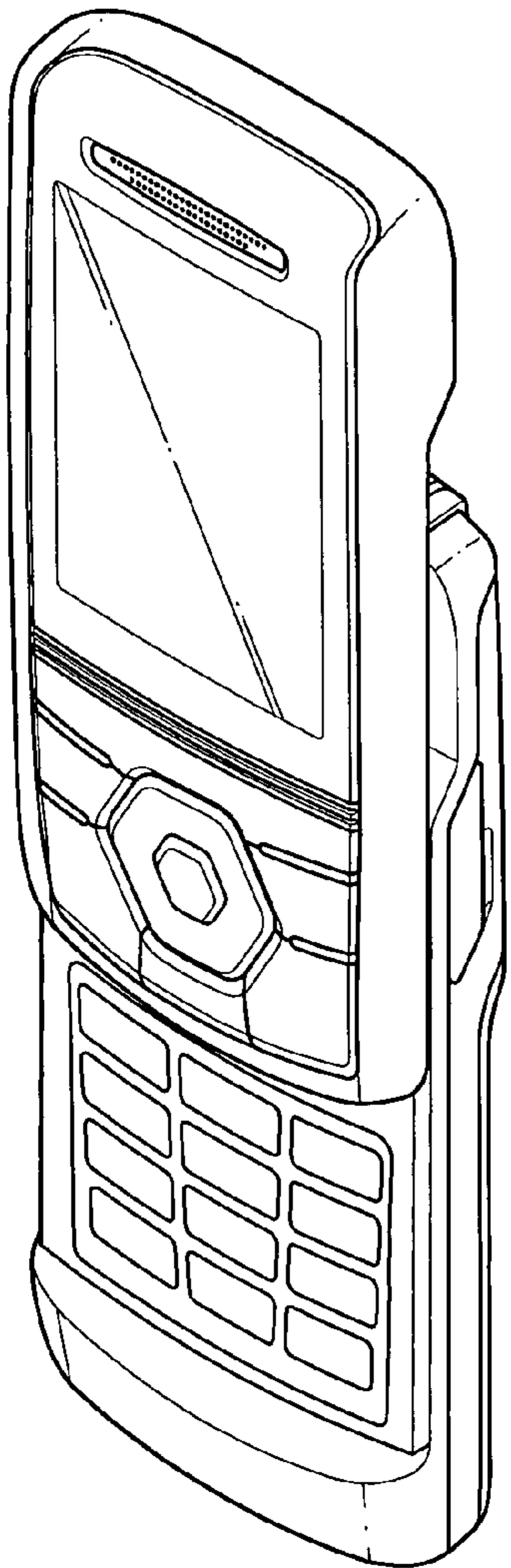


FIG. 9

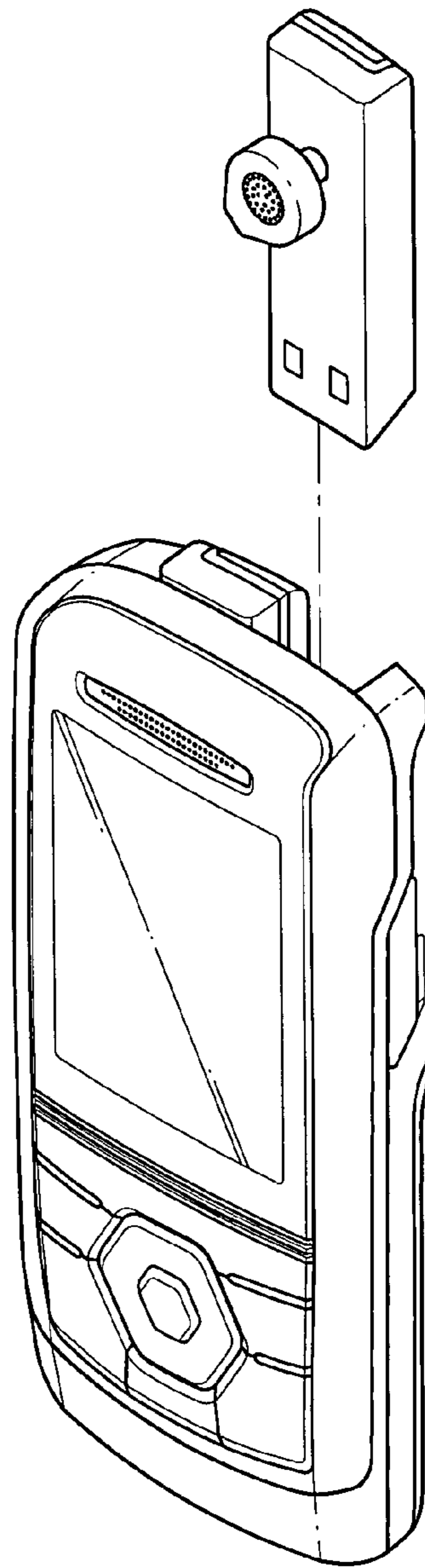


FIG. 10

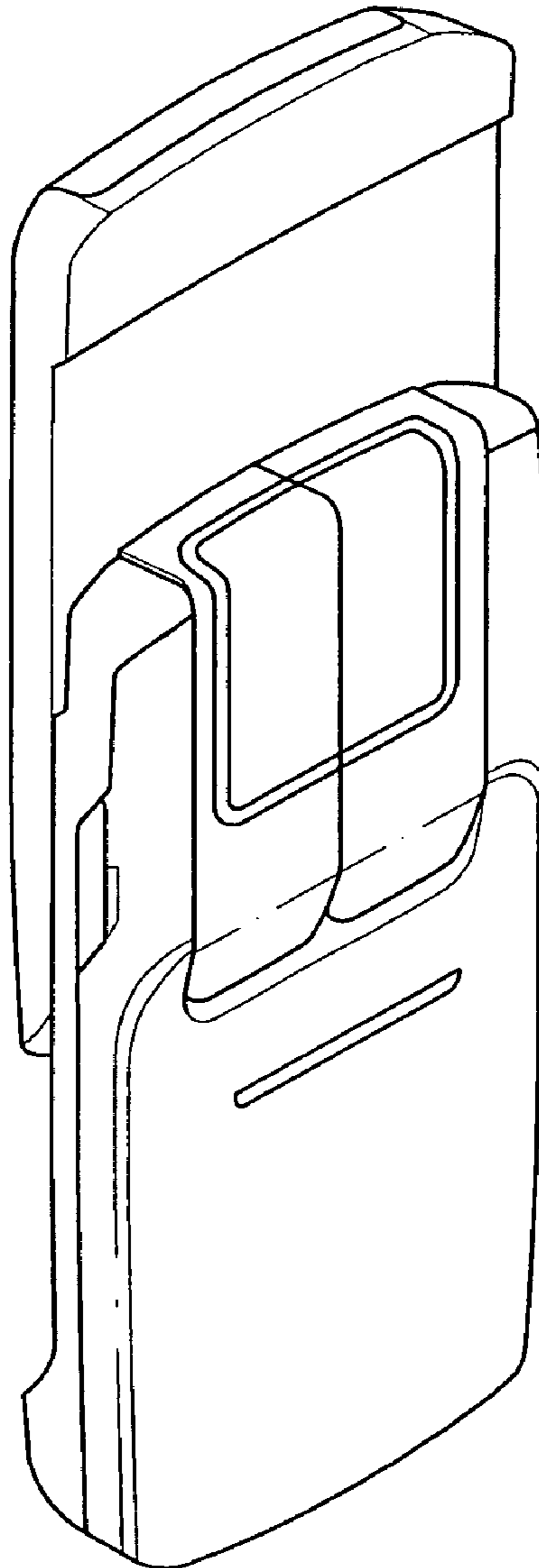


FIG. 11

