



US00D559823S

(12) **United States Design Patent**
Kim et al.

(10) **Patent No.:** **US D559,823 S**
(45) **Date of Patent:** **** Jan. 15, 2008**

(54) **MOBILE PHONE**

(75) Inventors: **Young Se Kim**, Palo Alto, CA (US);
Young Ju Yeo, Seoul (KR); **Chang Hwan Hwang**, Kyunggi-do (KR)

(73) Assignee: **Samsung Electronics Co., Ltd.** (KR)

(**) Term: **14 Years**

(21) Appl. No.: **29/259,775**

(22) Filed: **May 15, 2006**

(51) **LOC (8) Cl.** **14-03**

(52) **U.S. Cl.** **D14/138**

(58) **Field of Classification Search** D14/496,
D14/138, 341-347; 455/575.3, 575.1; D21/517,
D21/329, 333

See application file for complete search history.

(56) **References Cited**

U.S. PATENT DOCUMENTS

D446,201 S *	8/2001	Kim	D14/138
D496,020 S *	9/2004	Lee	D14/138
D496,347 S *	9/2004	Choi et al.	D14/191
D496,636 S *	9/2004	Lodato et al.	D14/138
D501,838 S *	2/2005	Kim et al.	D14/138
D511,509 S *	11/2005	Kim et al.	D14/138
D512,395 S *	12/2005	Kim et al.	D14/138
D518,807 S *	4/2006	Choi et al.	D14/138
D519,972 S *	5/2006	Chung et al.	D14/138
7,174,195 B2 *	2/2007	Nagamine	455/575.1
D540,770 S *	4/2007	Park et al.	D14/138
D542,759 S *	5/2007	Kim et al.	D14/138
D543,170 S *	5/2007	Kim et al.	D14/138
D545,795 S *	7/2007	Kim et al.	D14/138
D546,307 S *	7/2007	Lee	D14/138
D547,293 S *	7/2007	Kim et al.	D14/138
2005/0113156 A1 *	5/2005	Park et al.	455/575.4
2005/0124392 A1 *	6/2005	Jeong	455/575.1
2006/0146030 A1 *	7/2006	Kim	345/169

FOREIGN PATENT DOCUMENTS

WO DM/067683 * 3/2006

OTHER PUBLICATIONS

Samsung P940 telephone, announced Dec. 2006, [online], [retrieved on Jul. 19, 2007]. Retrieved from Internet , <URL: <http://www.gsmarena.com>>.*

Samsung P900 telephone, announced Feb. 2006, [online], [retrieved on Jul. 19, 2007]. Retrieved from Internet , <URL: <http://www.gsmarena.com>>.*

Samsung P920 telephone, announced 2nd quarter 2006, [online], [retrieved on Jul. 19, 2007]. Retrieved from Internet , <URL: <http://www.gsmarena.com>>.*

Samsung D830 telephone, announced Jun. 2006, [online], [retrieved on Jul. 19, 2007]. Retrieved from Internet , <URL: <http://www.gsmarena.com>>.*

* cited by examiner

Primary Examiner—Jeffrey Asch

(74) *Attorney, Agent, or Firm*—Irving Keschner

(57) **CLAIM**

The ornamental design for mobile phone, as shown.

DESCRIPTION

FIG. 1 is a perspective view of the ornamental design of the present invention;

FIG. 2 is a front elevational view of the ornamental design of the present invention;

FIG. 3 is a rear elevational view of the ornamental design of the present invention;

FIG. 4 is a left side elevational view of the ornamental design of the present invention;

FIG. 5 is a right side elevational view of the ornamental design of the present invention;

FIG. 6 is a top plan view of the ornamental design of the present invention;

FIG. 7 is a bottom view of the ornamental design of the present invention; and,

FIG. 8 is a perspective view illustrating the mobile phone in the open position with the screen rotated to the horizontal position.

1 Claim, 6 Drawing Sheets

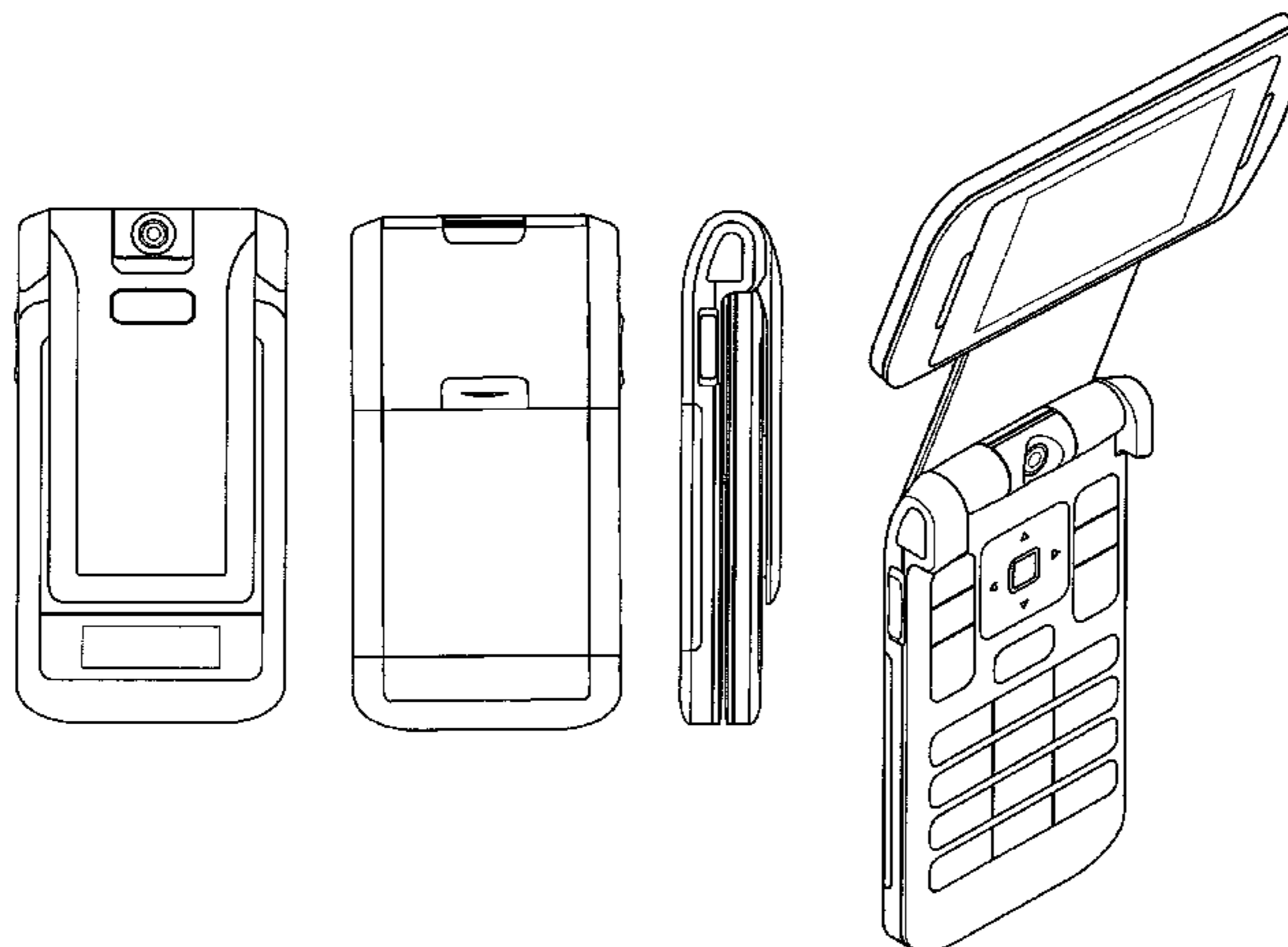


Fig. 1

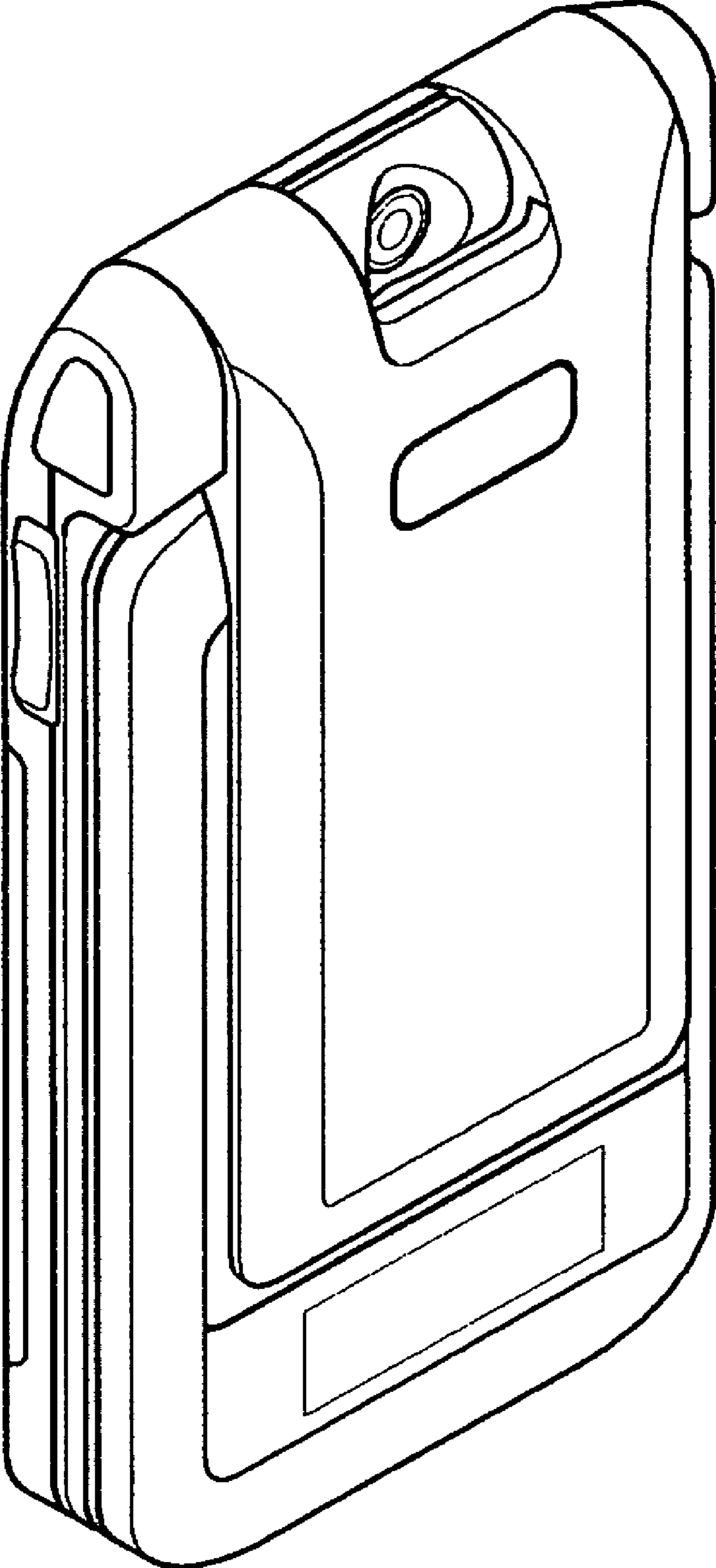


Fig. 2

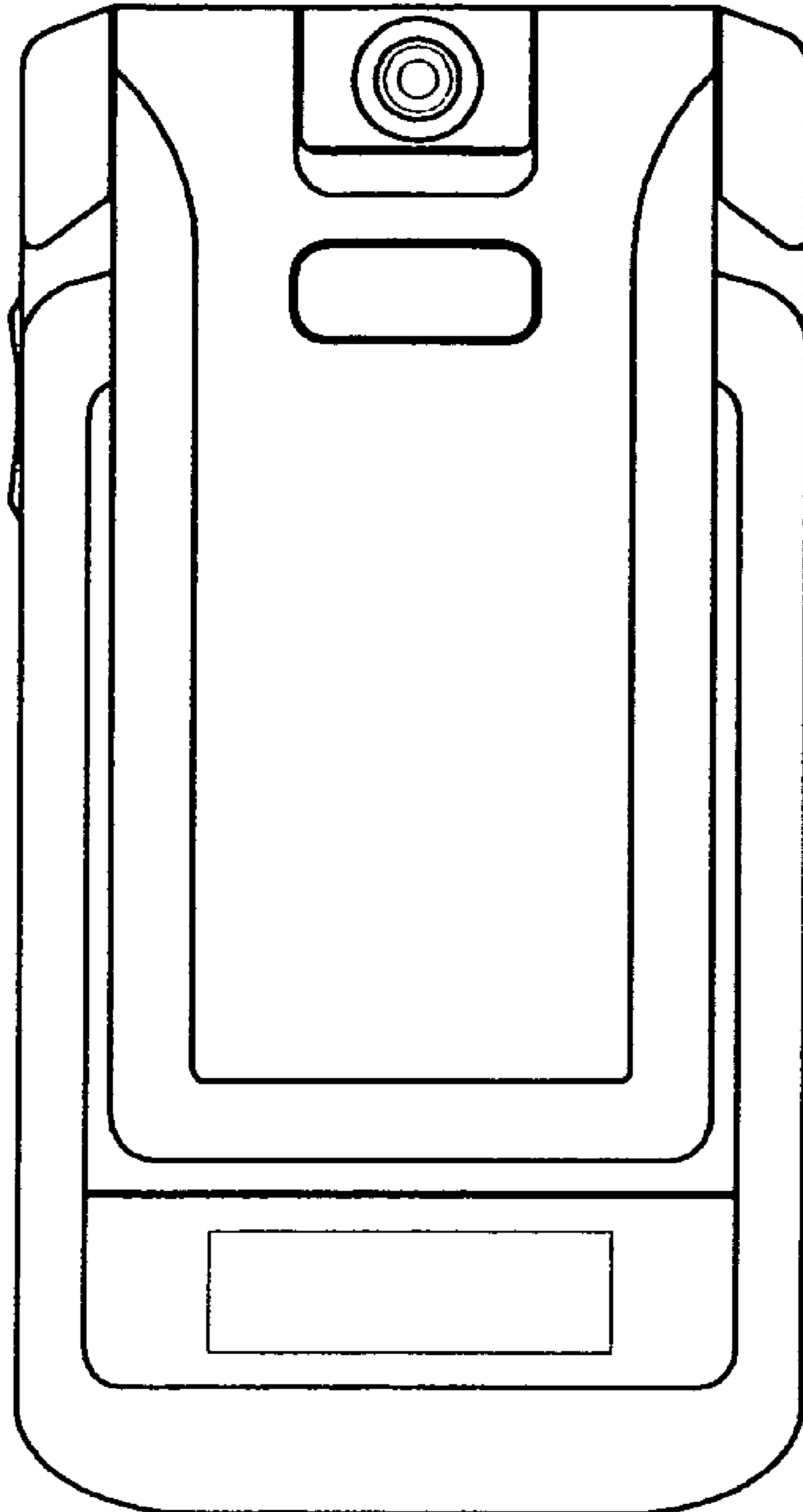


Fig. 3

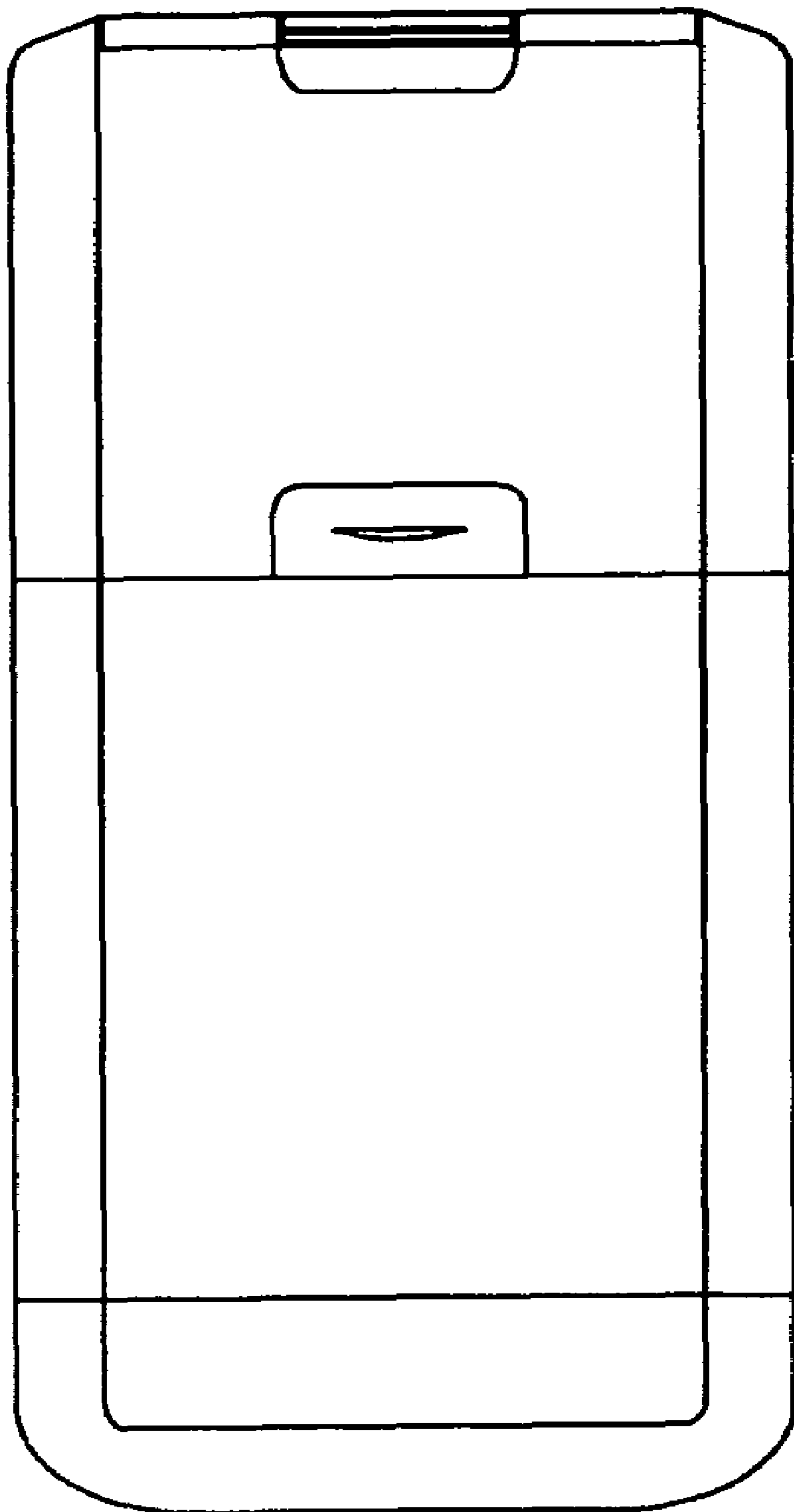


Fig. 4

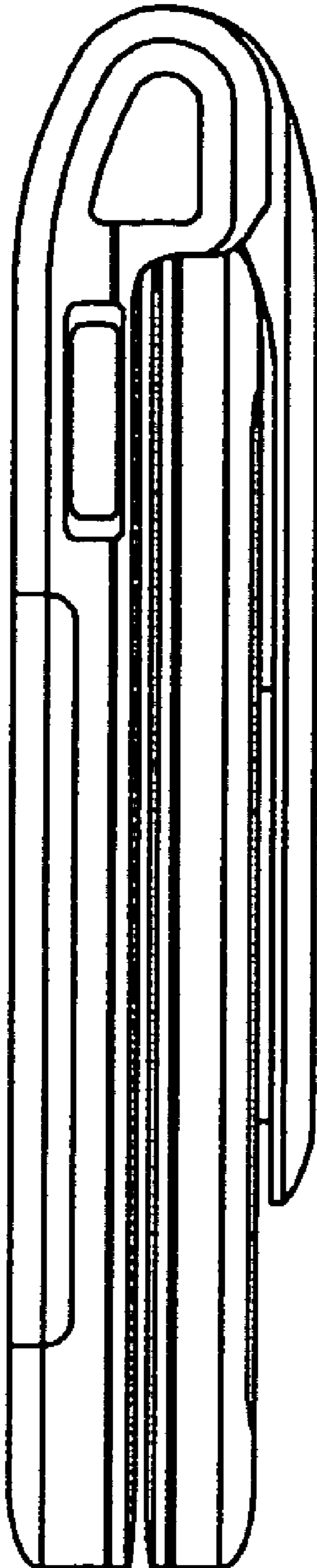


Fig. 5

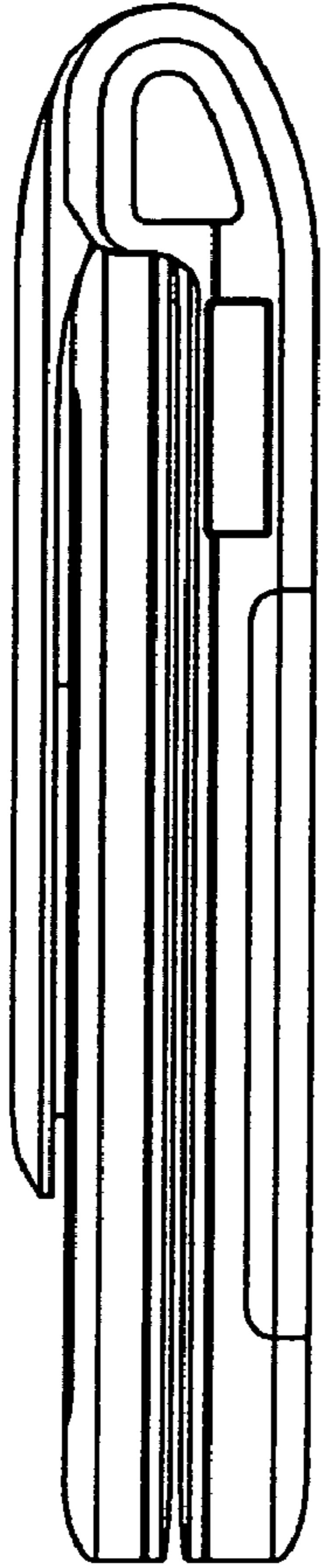


Fig. 6

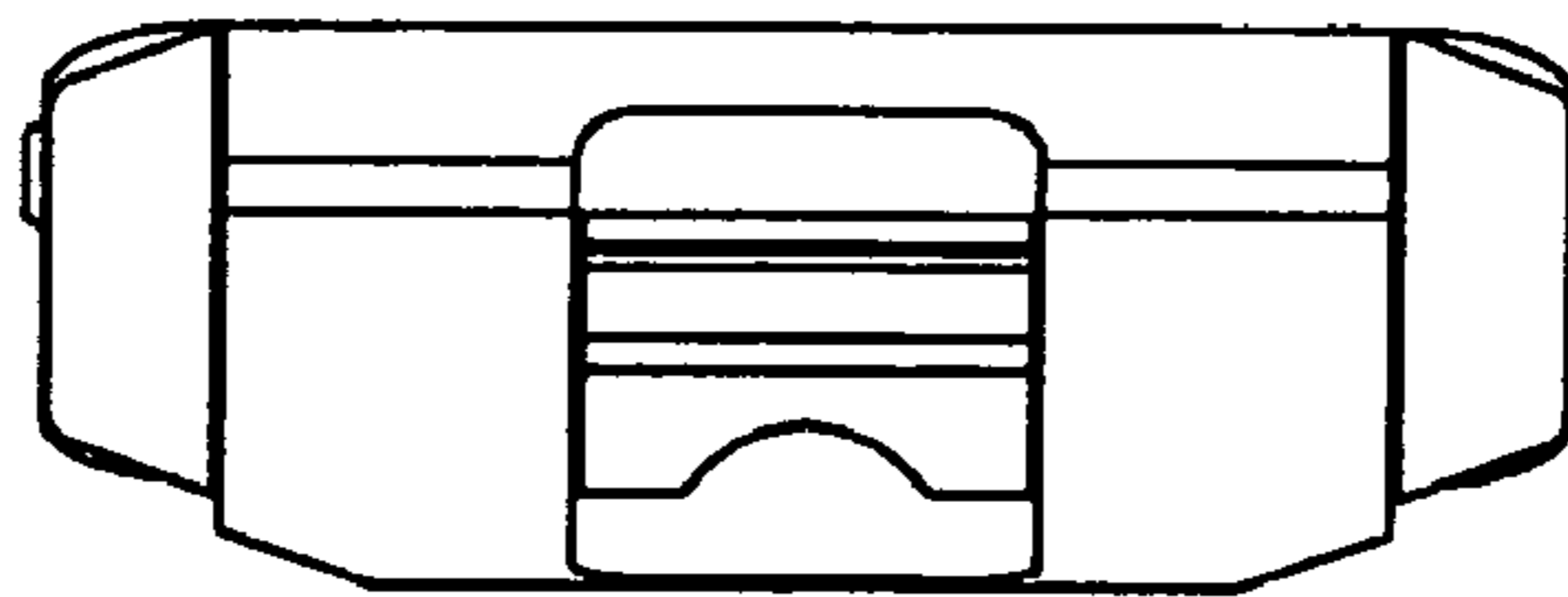


Fig. 7

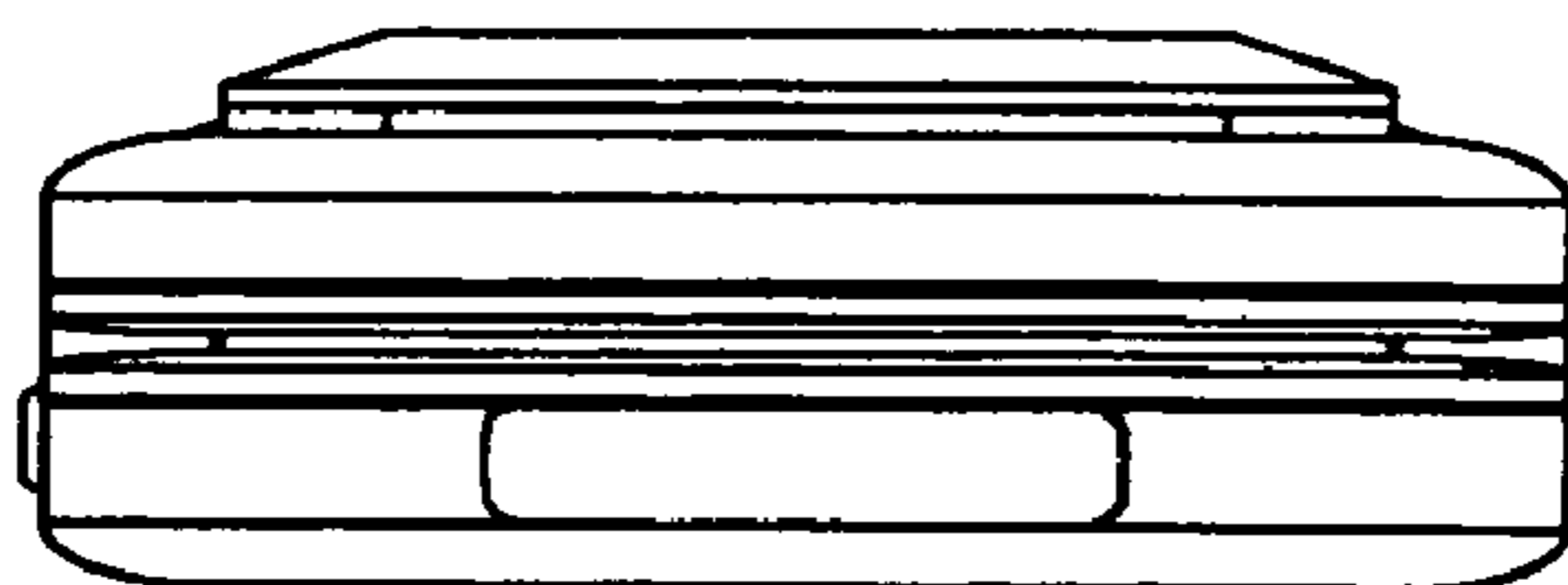


Fig. 8

