



US00D559818S

(12) **United States Design Patent**
Miyazaki et al.

(10) **Patent No.:** **US D559,818 S**

(45) **Date of Patent:** **** Jan. 15, 2008**

(54) **MOBILE PHONE**

(75) Inventors: **Hirohisa Miyazaki**, Tokyo (JP); **Tetsu Miyazawa**, Tokyo (JP); **Yusuru Masuda**, Tokyo (JP); **Jong-Seong Lee**, Seoul (KR)

(73) Assignee: **Samsung Electronics Co., Ltd.**, Suwon-Si (KR)

(**) Term: **14 Years**

(21) Appl. No.: **29/254,670**

(22) Filed: **Feb. 28, 2006**

(30) **Foreign Application Priority Data**

Dec. 29, 2005 (KR) 30-2005-0044819

(51) **LOC (8) Cl.** **14-03**

(52) **U.S. Cl.** **D14/138**

(58) **Field of Classification Search** D14/496,
D14/138, 341-347; 455/575.3, 575.1; D21/517,
D21/329, 333

See application file for complete search history.

(56) **References Cited**

U.S. PATENT DOCUMENTS

D468,282 S *	1/2003	Chen	D14/138
D491,158 S *	6/2004	Mou et al.	D14/138
D496,020 S *	9/2004	Lee	D14/138
D501,838 S *	2/2005	Kim et al.	D14/138
D508,238 S *	8/2005	Kim et al.	D14/138
D511,509 S *	11/2005	Kim et al.	D14/138
D512,395 S *	12/2005	Kim et al.	D14/138
D518,807 S *	4/2006	Choi et al.	D14/138
D519,481 S *	4/2006	Nara	D14/138
D519,972 S *	5/2006	Chung et al.	D14/138
D520,977 S *	5/2006	Lee et al.	D14/138
7,174,195 B2 *	2/2007	Nagamine	455/575.1
D540,770 S *	4/2007	Park et al.	D14/138
7,200,423 B2 *	4/2007	Bum	455/566
D542,252 S *	5/2007	Lee	D14/138
D542,255 S *	5/2007	Hong et al.	D14/138
D542,759 S *	5/2007	Kim et al.	D14/138

D545,795 S *	7/2007	Kim et al.	D14/138
D546,307 S *	7/2007	Lee	D14/138
D547,293 S *	7/2007	Kim et al.	D14/138
2004/0203527 A1 *	10/2004	Matsumoto	455/90.3
2005/0113156 A1 *	5/2005	Park et al.	455/575.4
2005/0124392 A1 *	6/2005	Jeong	455/575.1
2006/0146030 A1 *	7/2006	Kim	345/169

FOREIGN PATENT DOCUMENTS

KR 30-0376984 3/2005

OTHER PUBLICATIONS

Samsung P940 telephone, announced Dec. 2006, [online], [retrieved on Jul. 19, 2007]. Retrieved from Internet, <URL: <http://www.gsmarena.com>>.*

Japanese Office Action issued on Sep. 13, 2006 with respect to Japanese Design Patent Application No. 2006-004346, which corresponds to the above-referenced application.

* cited by examiner

Primary Examiner—Jeffrey Asch

(74) *Attorney, Agent, or Firm*—Staas & Halsey LLP

(57) **CLAIM**

The ornamental design for the mobile phone, as shown and described.

DESCRIPTION

FIG. 1 is a perspective view of the mobile phone showing our design;

FIG. 2 is a front view thereof;

FIG. 3 is a rear view thereof;

FIG. 4 is a left side view thereof;

FIG. 5 is a right side view thereof;

FIG. 6 is a top plan view thereof;

FIG. 7 is a bottom plan view thereof; and,

FIG. 8 is a front, open view thereof wherein the arrow at the top right indicates that the inside top portion, which includes the display, rotates to the horizontal position.

1 Claim, 4 Drawing Sheets

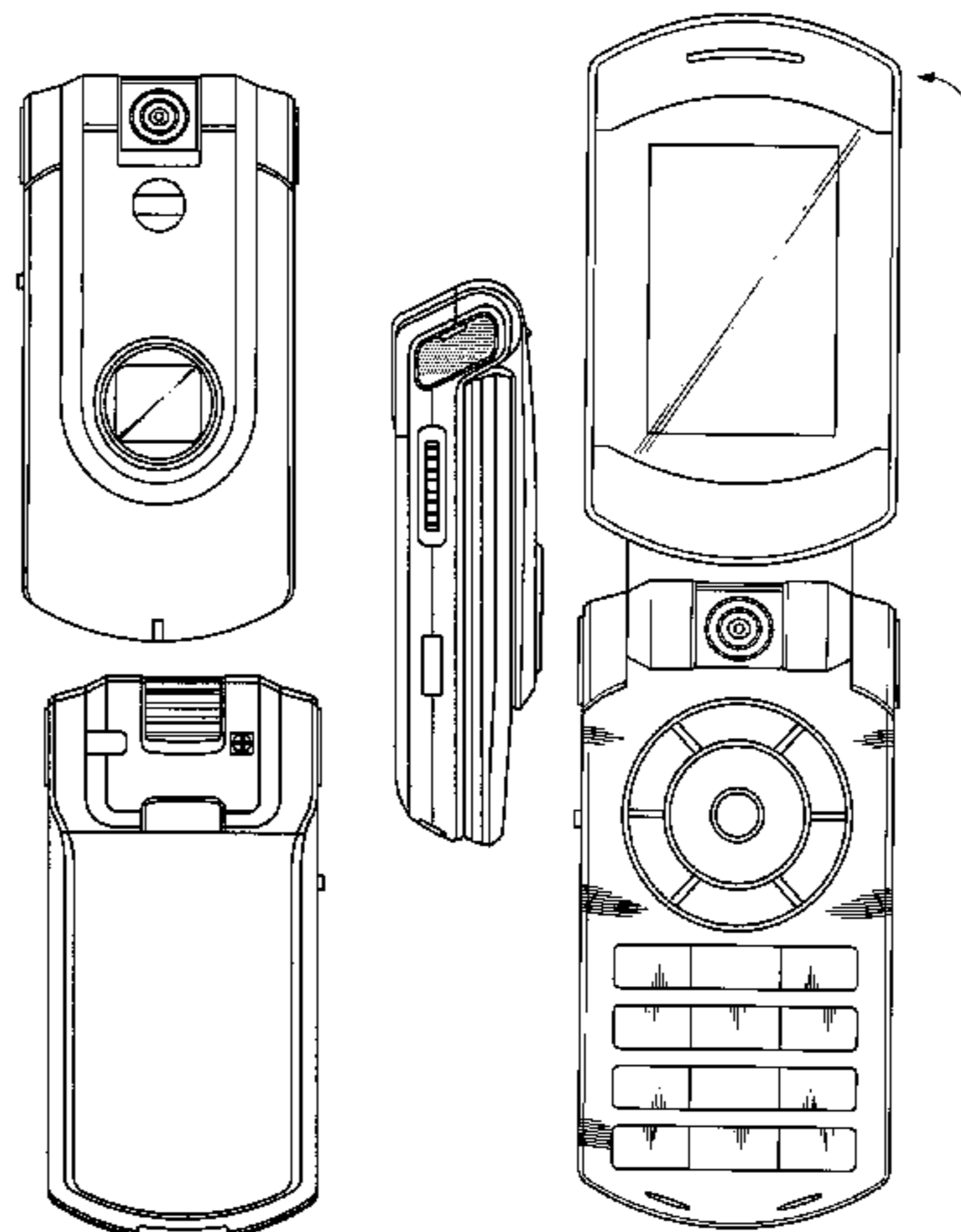


FIG. 1

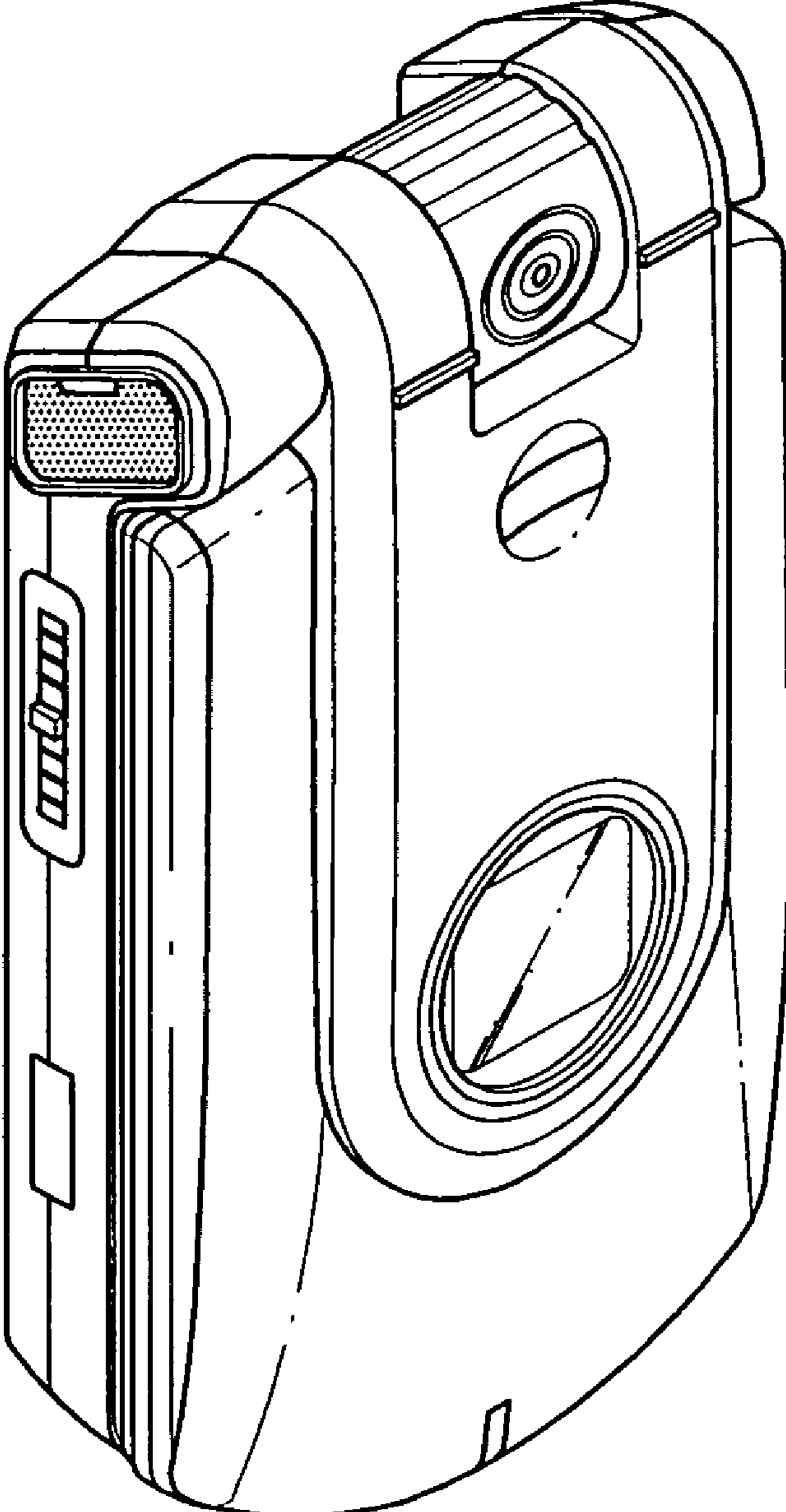


FIG. 2

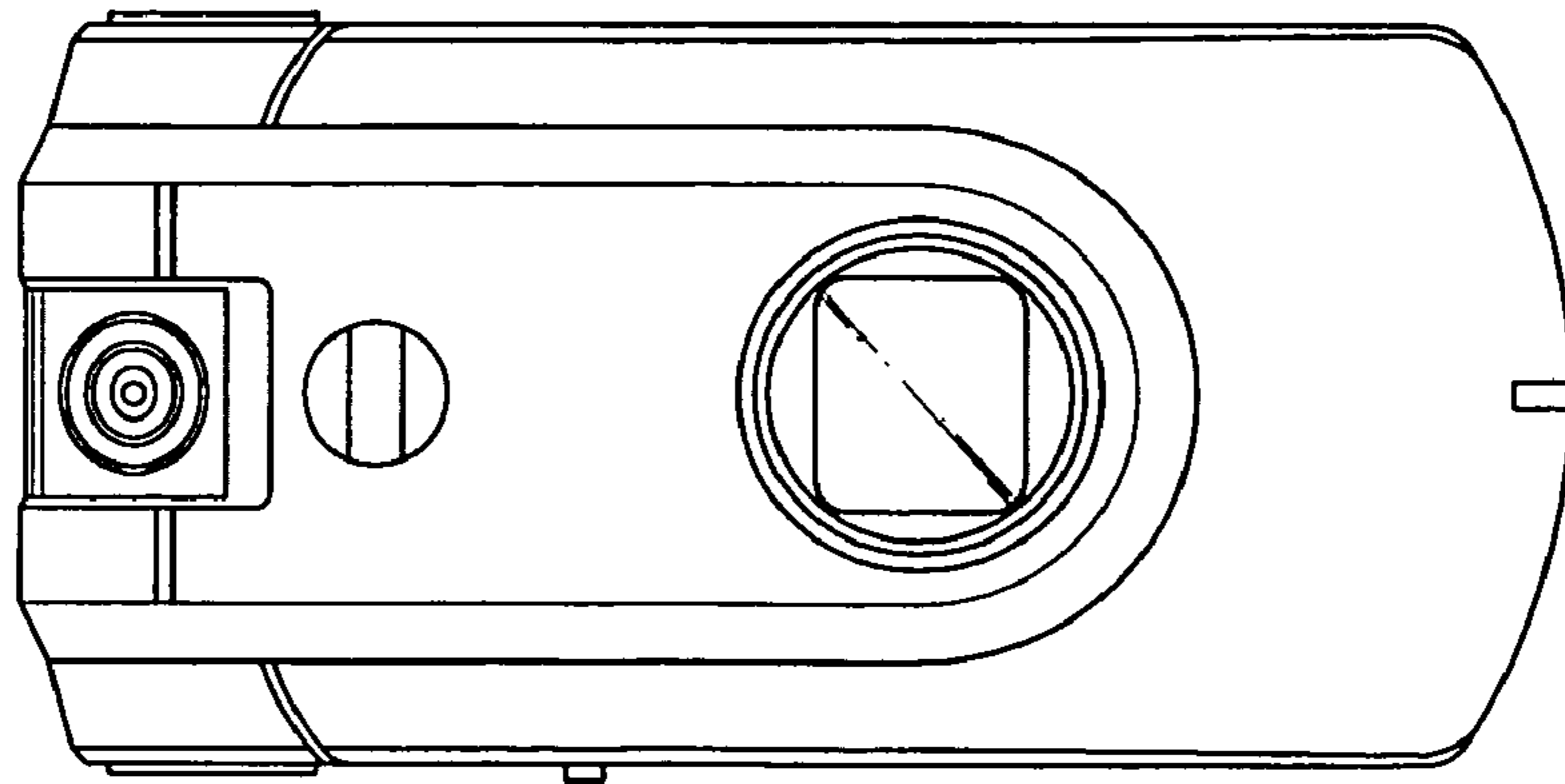


FIG. 3

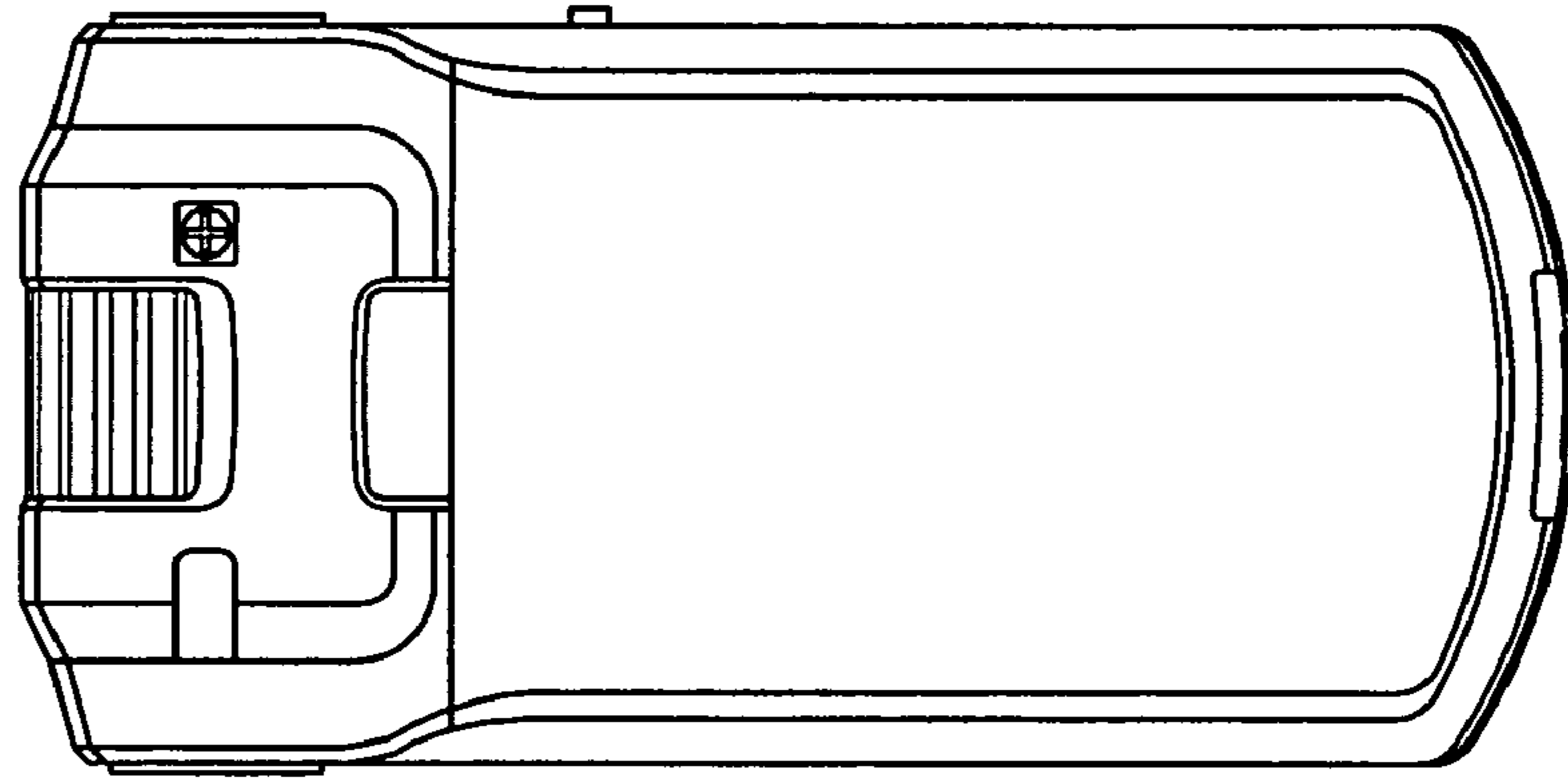


FIG. 4

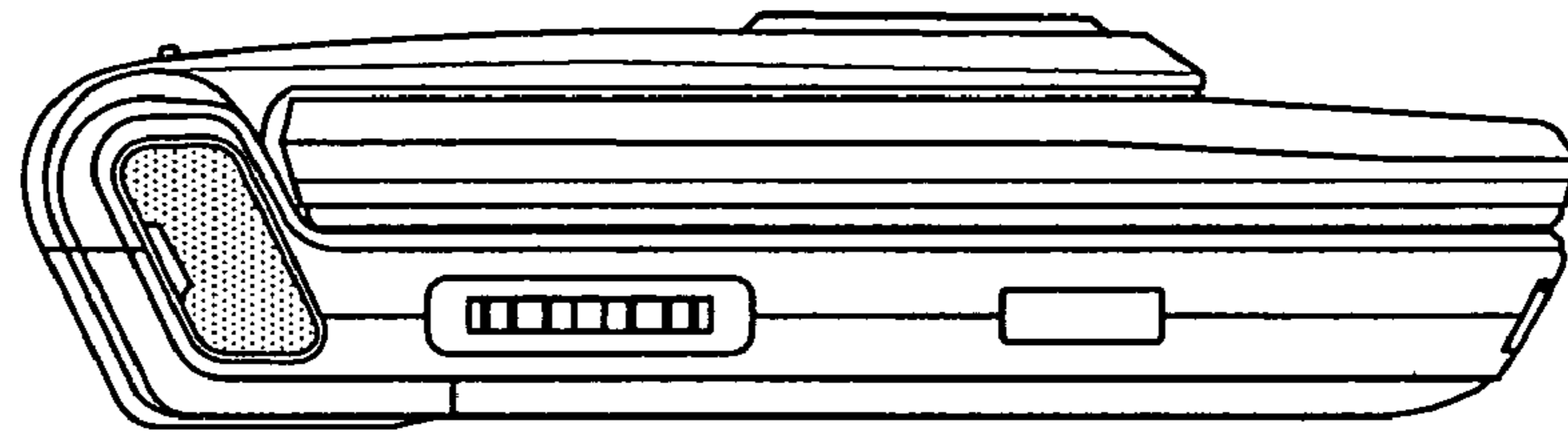


FIG. 5

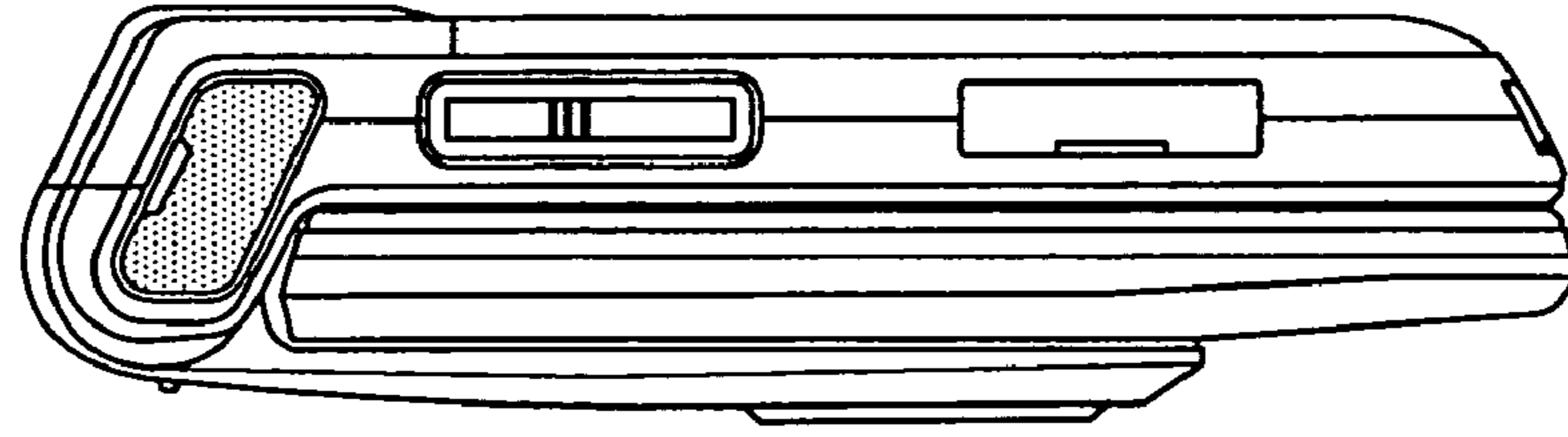


FIG. 6

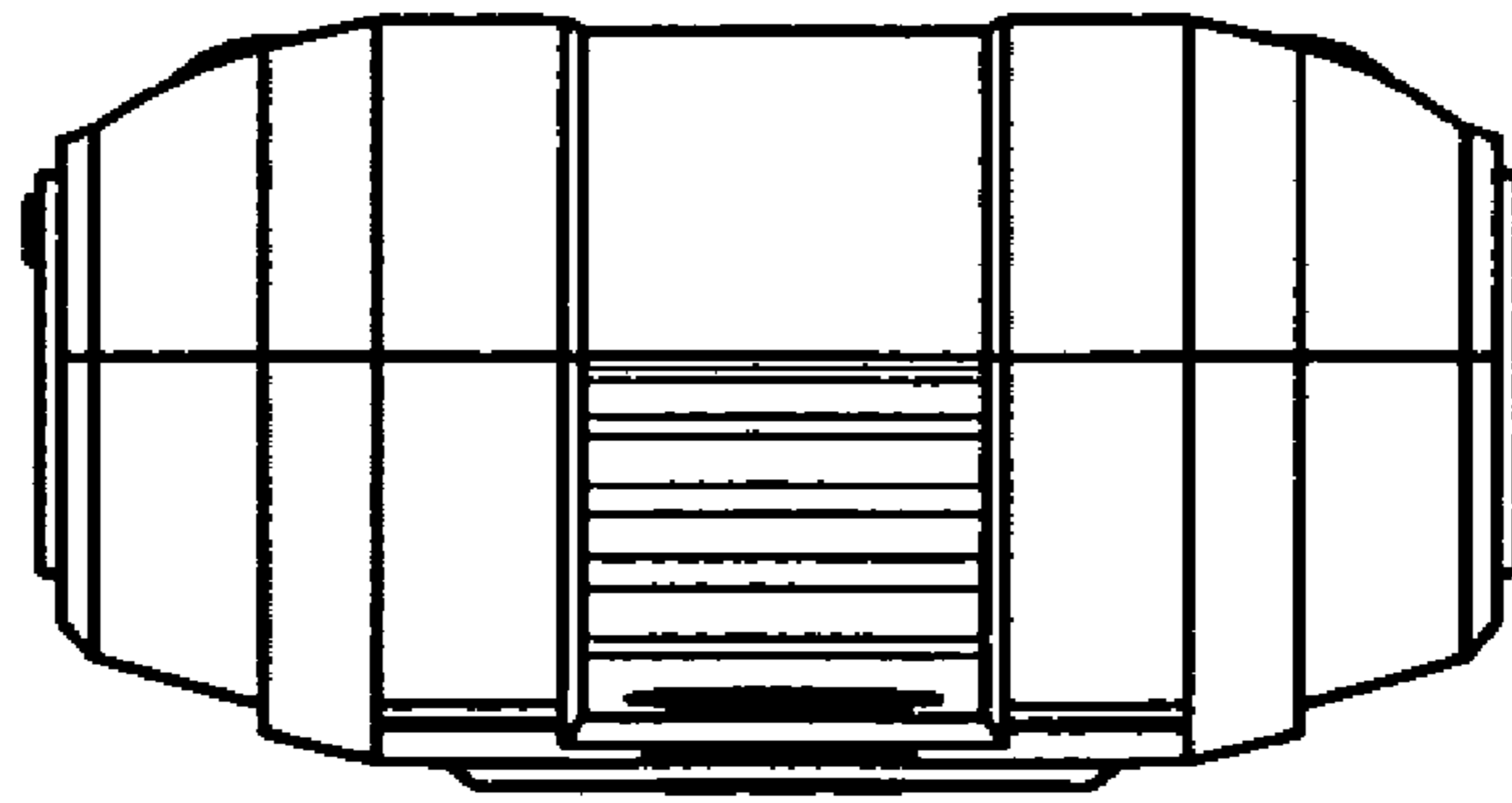


FIG. 7

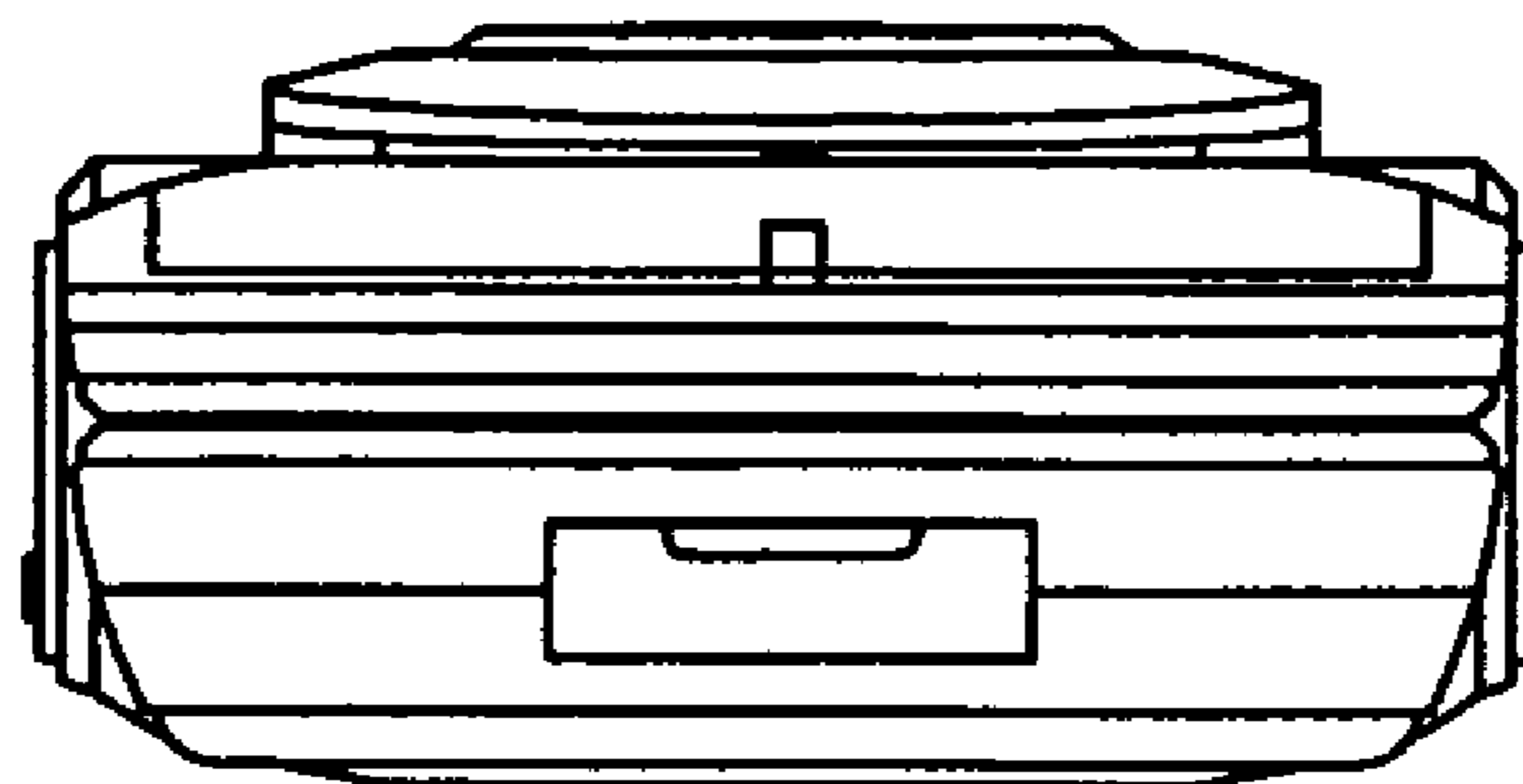


FIG. 8

