

US00D559817S

(12) **United States Design Patent**
Minamide et al.

(10) **Patent No.:** **US D559,817 S**
(45) **Date of Patent:** **** Jan. 15, 2008**

(54) **MOBILE PHONE**

(75) Inventors: **Keiichi Minamide**, Tokyo (JP); **Yusuru Masuda**, Tokyo (JP); **Jong-Seong Lee**, Seoul (KR)

(73) Assignee: **Samsung Electronics Co., Ltd.**, Suwon-Si (KR)

(**) Term: **14 Years**

(21) Appl. No.: **29/254,666**

(22) Filed: **Feb. 28, 2006**

(30) **Foreign Application Priority Data**

Dec. 29, 2005 (KR) 30-2005-0044845

(51) **LOC (8) Cl.** **14-03**

(52) **U.S. Cl.** **D14/138**

(58) **Field of Classification Search** D14/496,
D14/138, 341-347; 455/575.3, 575.1; D21/517,
D21/329, 333

See application file for complete search history.

(56) **References Cited**

U.S. PATENT DOCUMENTS

D486,811 S *	2/2004	Lheem	D14/138
D489,699 S *	5/2004	Hwang et al.	D14/138
D496,020 S *	9/2004	Lee	D14/138
D501,838 S *	2/2005	Kim et al.	D14/138
D504,670 S *	5/2005	Lodato et al.	D14/138
D505,125 S *	5/2005	Ahn et al.	D14/138
D511,509 S *	11/2005	Kim et al.	D14/138
D512,395 S *	12/2005	Kim et al.	D14/138
D518,807 S *	4/2006	Choi et al.	D14/138
D518,812 S *	4/2006	Kim et al.	D14/138
D519,481 S *	4/2006	Nara	D14/138
D520,485 S *	5/2006	Cho	D14/138
D521,479 S *	5/2006	Cho et al.	D14/138
D522,483 S *	6/2006	Shin	D14/138
D530,296 S *	10/2006	Kim et al.	D14/138
7,174,195 B2 *	2/2007	Nagamine	455/575.1
D540,770 S *	4/2007	Park et al.	D14/138

D542,759 S *	5/2007	Kim et al.	D14/138
D545,285 S *	6/2007	Hong et al.	D14/138
D545,795 S *	7/2007	Kim et al.	D14/138
D547,293 S *	7/2007	Kim et al.	D14/138
2005/0124392 A1 *	6/2005	Jeong	455/575.1
2006/0146030 A1 *	7/2006	Kim	345/169

OTHER PUBLICATIONS

Samsung P940 telephone, announced Dec. 2006, [online], [retrieved on Jul. 19, 2007]. Retrieved from Internet, <URL: <http://www.gsmarena.com>>.*

Samsung Z560 telephone, announced Feb. 2006, [online], [retrieved on Jul. 19, 2007]. Retrieved from Internet, <URL: <http://www.gsmarena.com>>.*

Samsung P920 telephone, announced 2nd quarter 2006, [online], [retrieved on Jul. 19, 2007]. Retrieved from Internet, <URL: <http://www.gsmarena.com>>.*

* cited by examiner

Primary Examiner—Jeffrey Asch

(74) *Attorney, Agent, or Firm*—Staas & Halsey LLP

(57) **CLAIM**

The ornamental design for the mobile phone, as shown and described.

DESCRIPTION

FIG. 1 is a perspective view of the mobile phone showing our design;

FIG. 2 is a front view thereof;

FIG. 3 is a rear view thereof;

FIG. 4 is a left side view thereof;

FIG. 5 is a right side view thereof;

FIG. 6 is a top plan view thereof;

FIG. 7 is a bottom plan view thereof;

FIG. 8 is a perspective view thereof showing a portion rotated; and,

FIG. 9 is a left side, open view thereof.

1 Claim, 6 Drawing Sheets

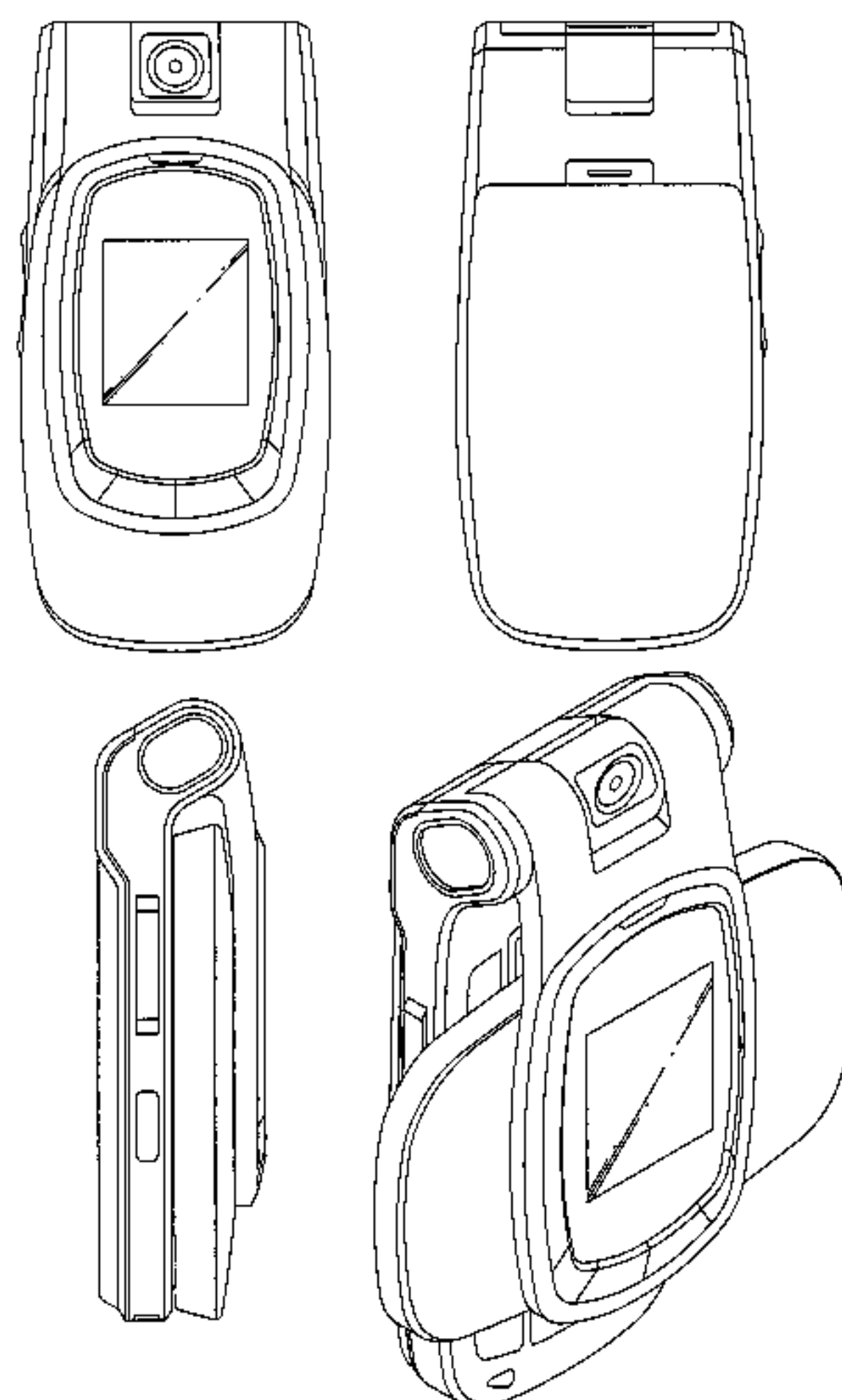


FIG. 1

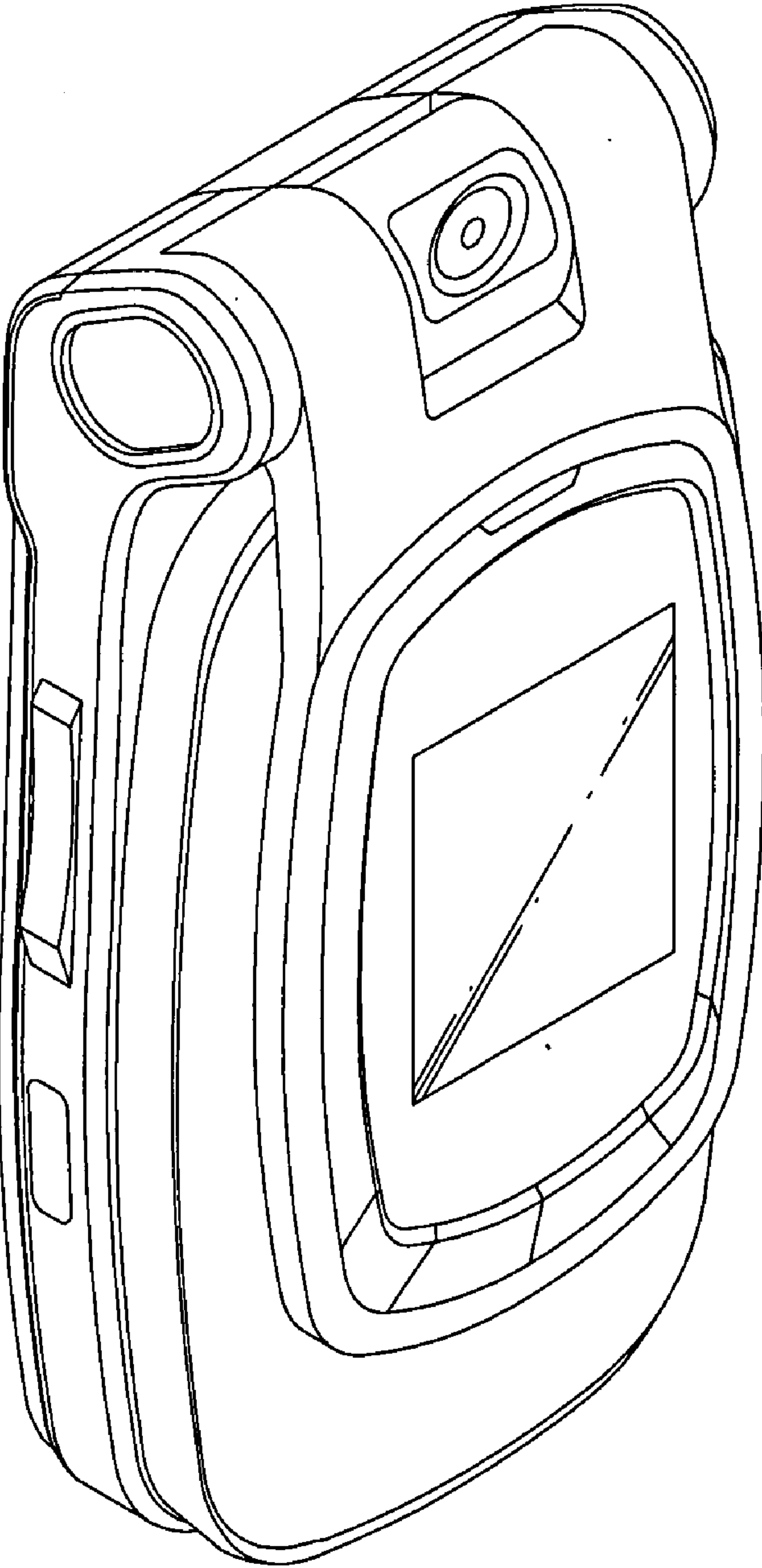


FIG. 2

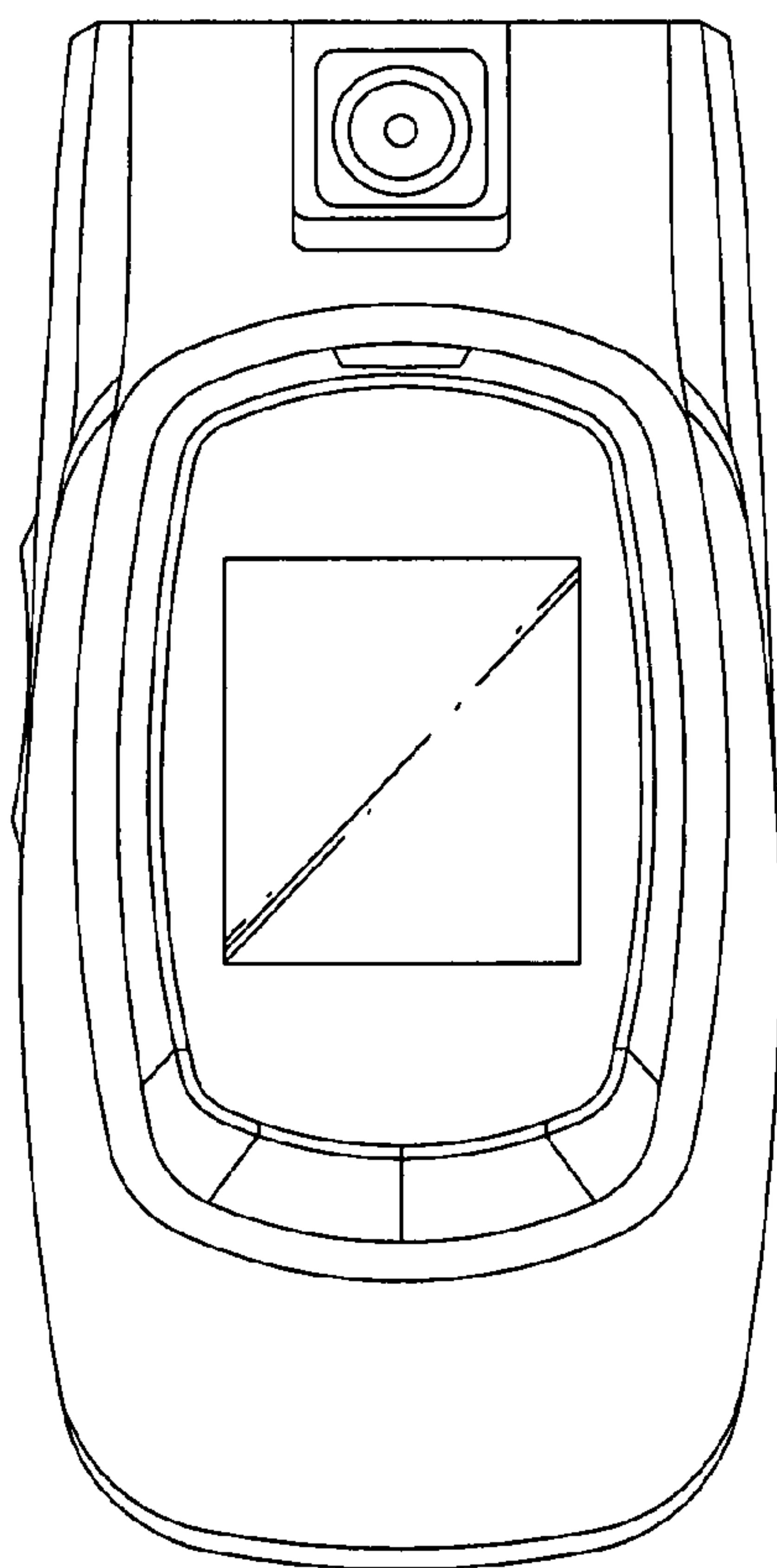


FIG. 3

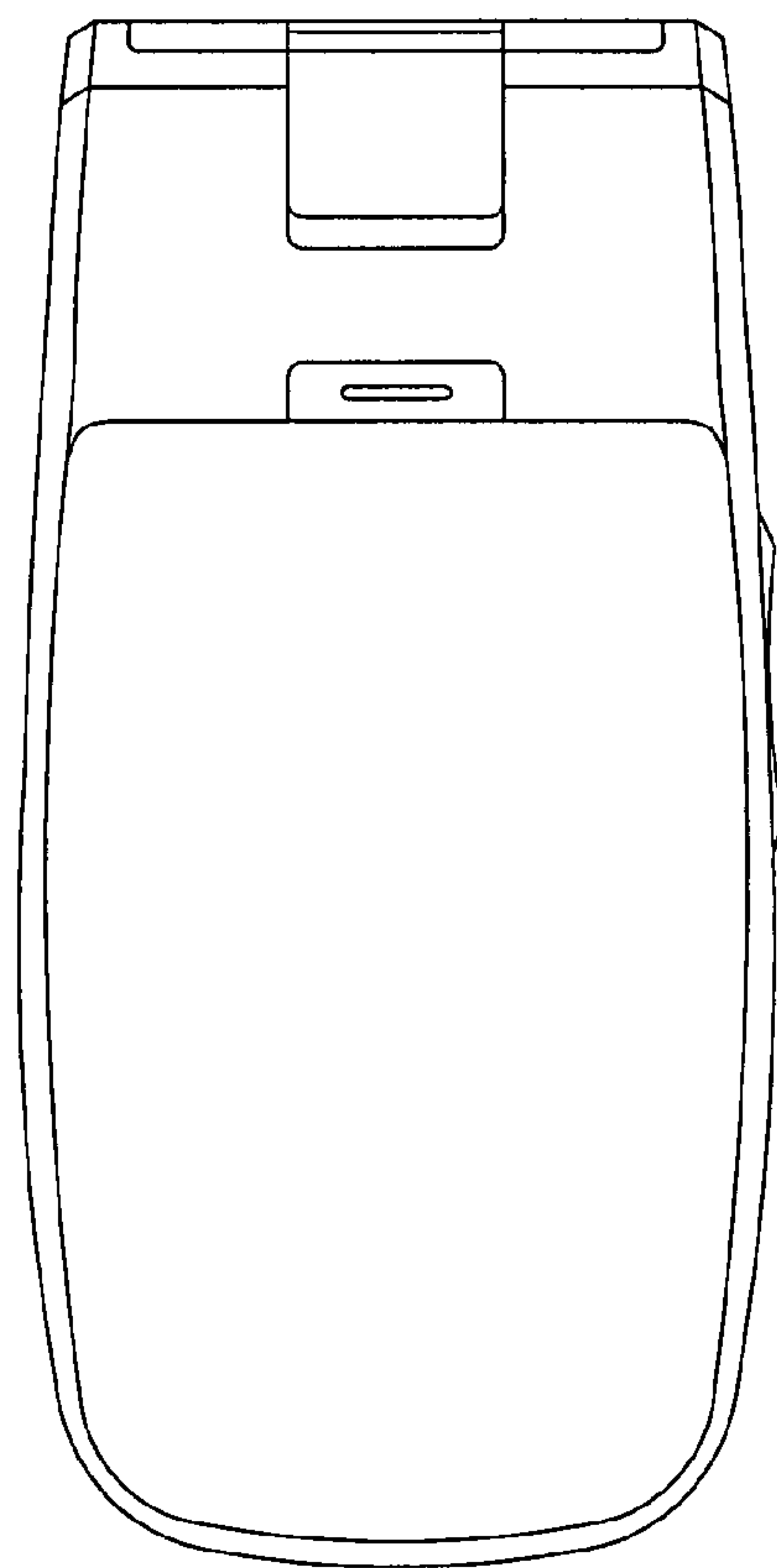


FIG. 4

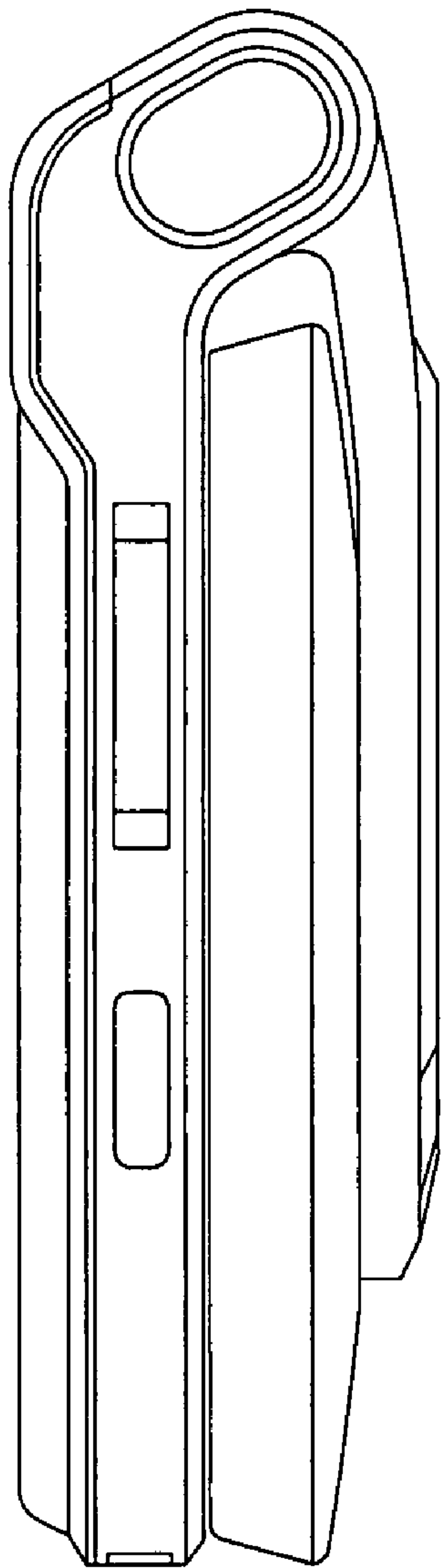


FIG. 5

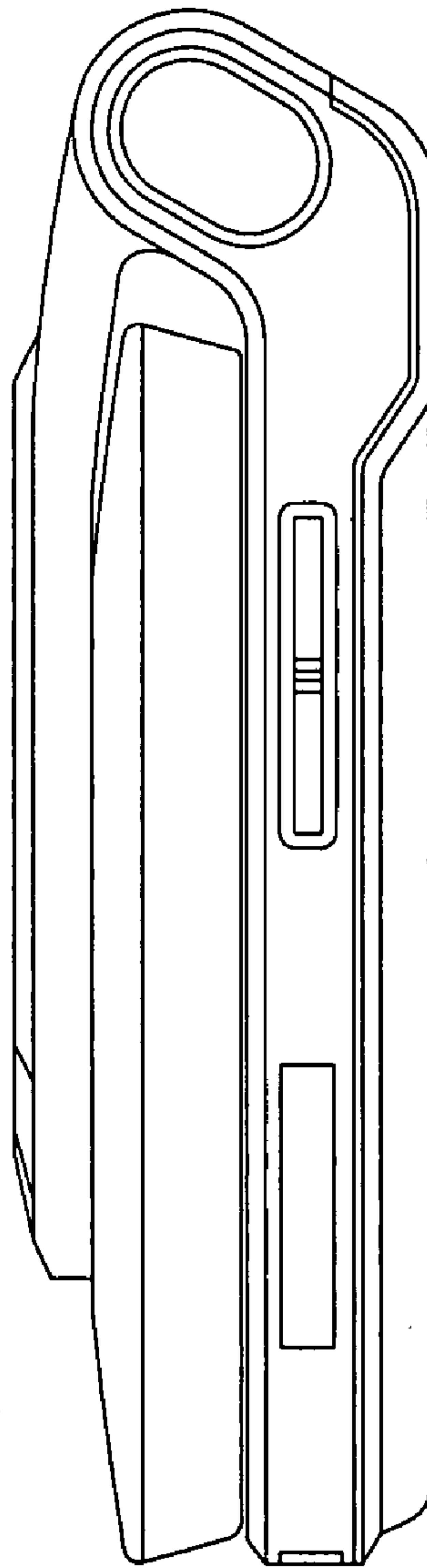


FIG. 6

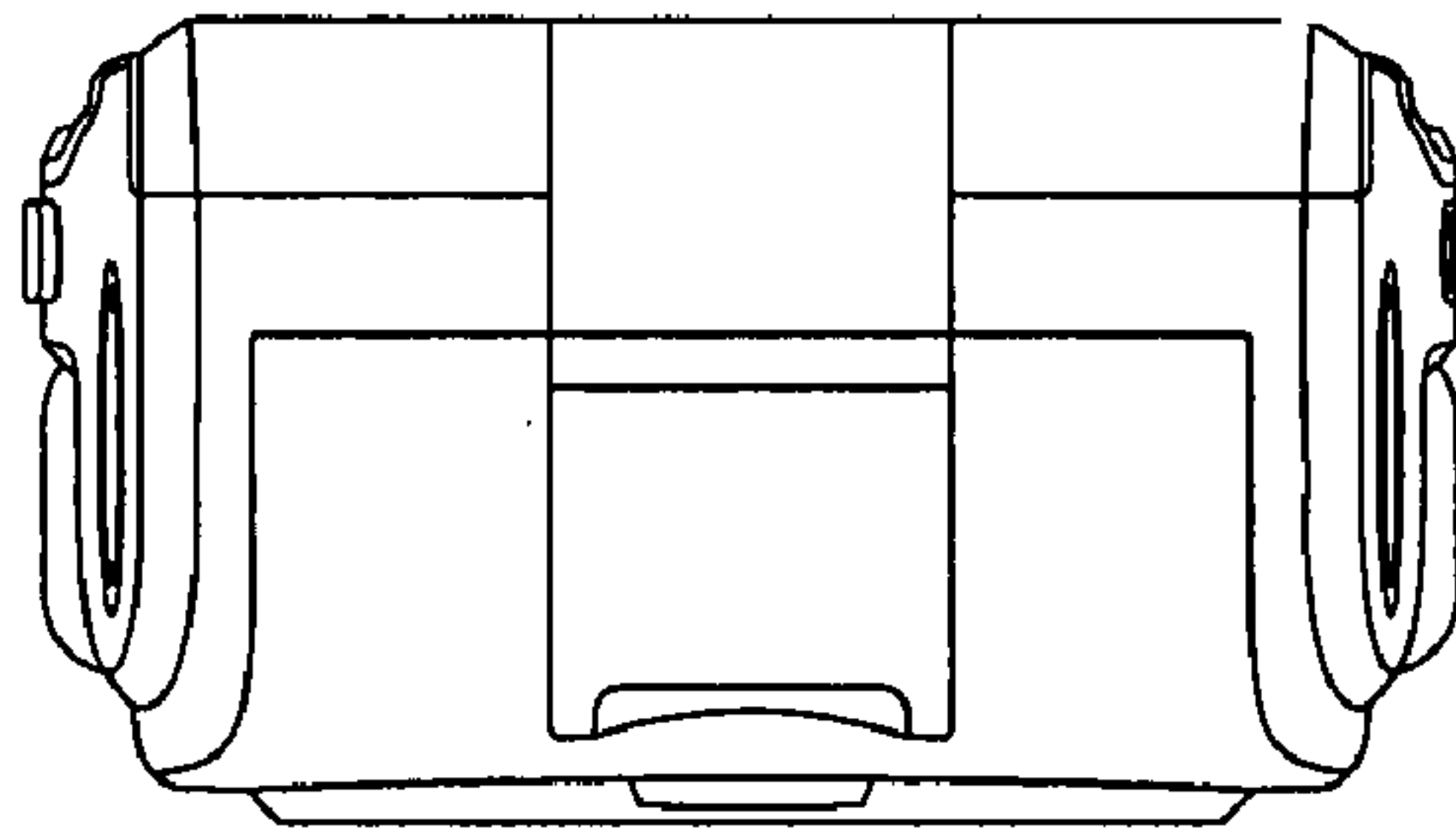


FIG. 7

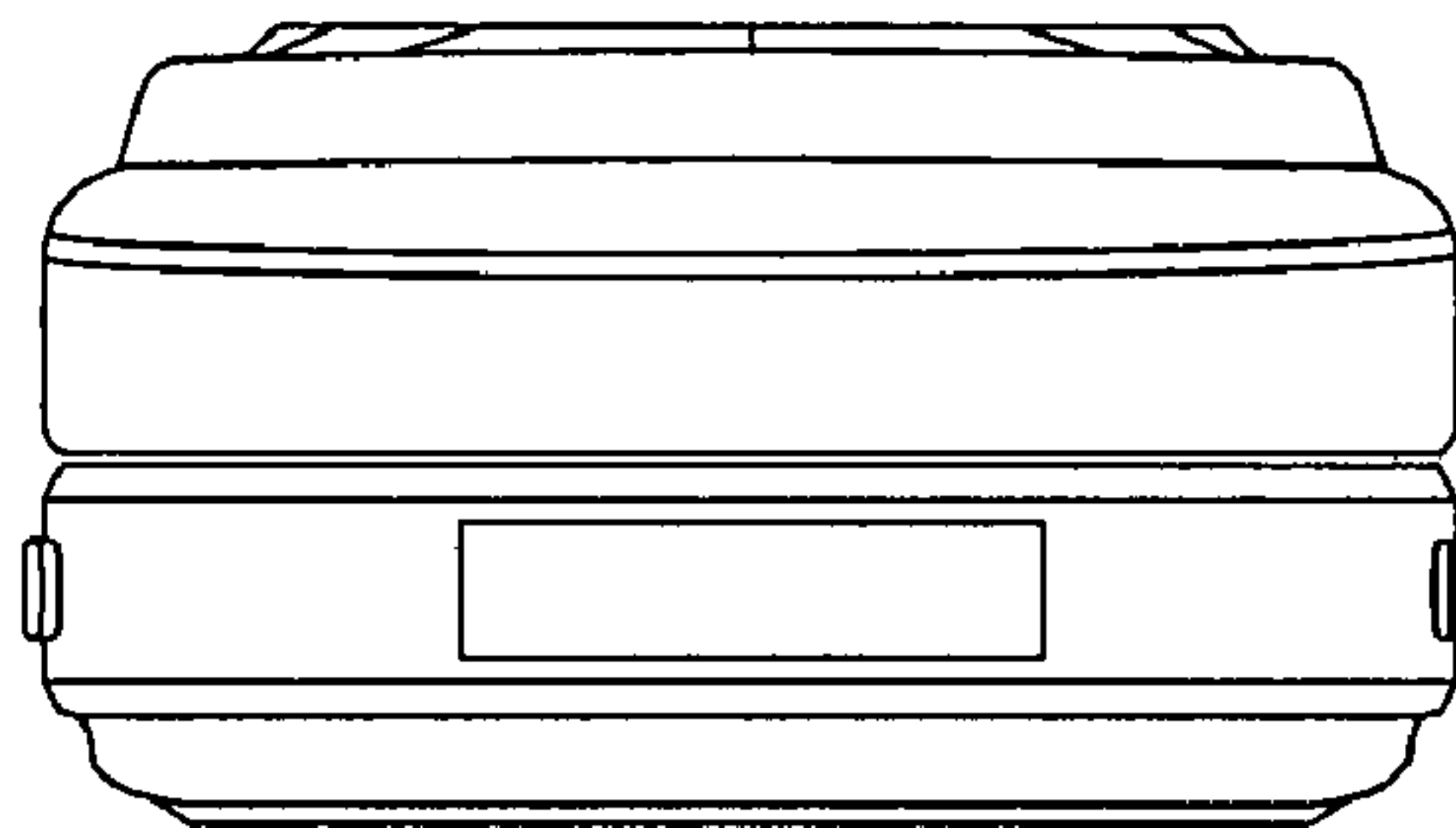


FIG. 8

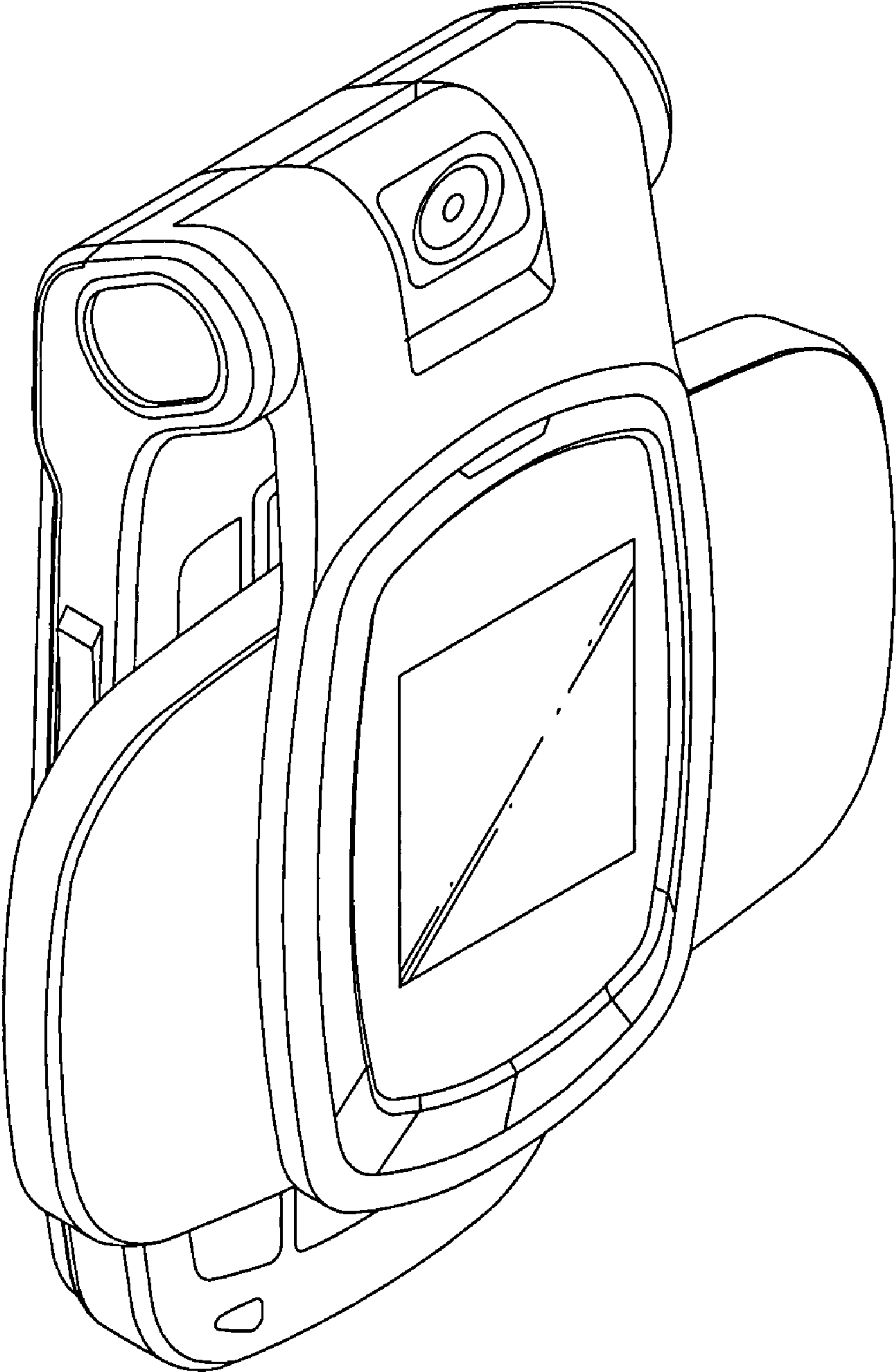


FIG. 9

