



US00D559812S

(12) **United States Design Patent**
Bradford et al.

(10) **Patent No.:** **US D559,812 S**
(45) **Date of Patent:** **** Jan. 15, 2008**

(54) **HANDSET**

(75) Inventors: **Simon Bradford**, Middlesex (GB);
Axel Meyer, Helsinki (FI); **Sami Viitasaari**, Rovaniemi (FI)

(73) Assignee: **Nokia Corporation**, Espoo (FI)

(**) Term: **14 Years**

(21) Appl. No.: **29/246,645**

(22) Filed: **Apr. 28, 2006**

(30) **Foreign Application Priority Data**

Oct. 31, 2005 (FI) M20050170

(51) **LOC (8) Cl.** **14-03**

(52) **U.S. Cl.** **D14/138**

(58) **Field of Classification Search** D14/137,
D14/138, 147, 218, 247-248, 341-347, 496;
455/90.3, 556.1, 556.2, 575.1, 575.3, 575.4;
379/433.01-433.13; 361/814; 348/14.02
See application file for complete search history.

(56) **References Cited**

U.S. PATENT DOCUMENTS

D495,674 S * 9/2004 Yoo et al. D14/138

(Continued)

FOREIGN PATENT DOCUMENTS

WO DM/067801 * 4/2006
WO DM/068752 * 2/2007

OTHER PUBLICATIONS

Nokia 6260, announced 2nd quarter 2004, [online], [retrieved on Jul. 5, 2007]. Retrieved from Internet ,<URL: <http://www.gsmarena.com>>.*

(Continued)

Primary Examiner—Jeffrey Asch
Assistant Examiner—Bridget L Eland
(74) *Attorney, Agent, or Firm*—Banner & Witcoff, Ltd.

(57) **CLAIM**

The ornamental design for a handset, as shown and described.

DESCRIPTION

FIG. 1 is a bottom plan view of a handset showing our new design;

FIG. 2 is a right side view thereof;

FIG. 3 is a front view thereof;

FIG. 4 is a left side view thereof;

FIG. 5 is a top plan view thereof;

FIG. 6 is a rear view thereof;

FIG. 7 is a perspective front view thereof;

FIG. 8 is a perspective rear view thereof;

FIG. 9 is a front view of the handset of FIGS. 1-8 in a first in-use open position;

FIG. 10 is a perspective front view of the handset of FIGS. 1-8 in the first in-use open position;

FIG. 11 is a perspective rear view of the handset of FIGS. 1-8 in the first in-use open position;

FIG. 12 is a right side view of the handset of FIGS. 1-8 in the first in-use open position thereof;

FIG. 13 is a left side view of the handset of FIGS. 1-8 in the first in-use open position;

FIG. 14 is a perspective front view of the handset of FIGS. 1-8 in a second in-use open position;

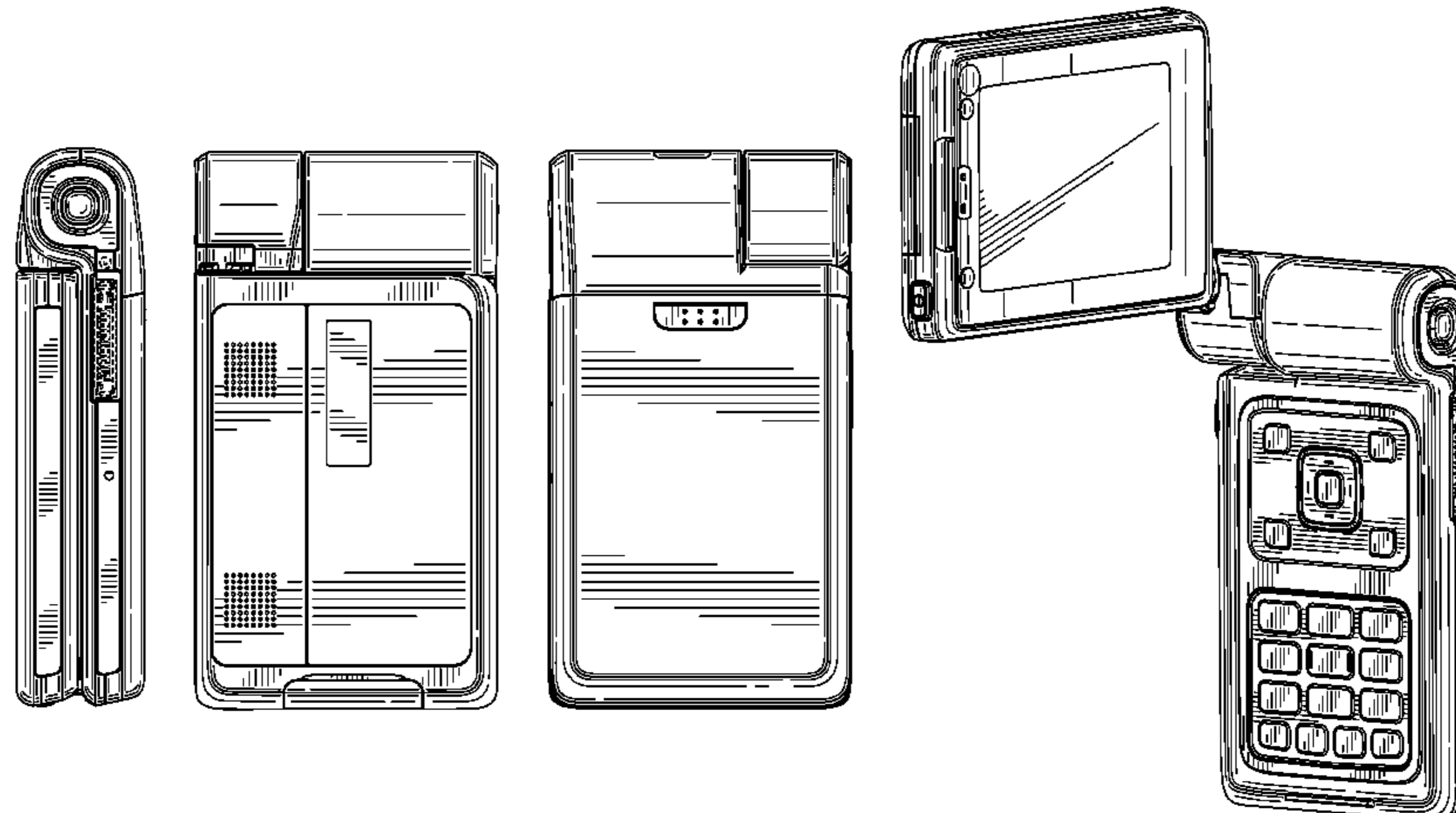
FIG. 15 is a perspective rear view of the handset of FIGS. 1-8 in the second in-use open position of FIG. 15;

FIG. 16 is a perspective front view of the handset of FIGS. 1-8 in a third in-use open position; and,

FIG. 17 is a perspective rear view of the handset of FIGS. 1-8 in the third in-use open position.

The broken lines immediately adjacent the shaded areas that encompass unshaded regions represent the bounds of the claimed design, while all other broken lines are directed to environment and are for illustrative purposes only; the broken lines form no part of the claimed design.

1 Claim, 10 Drawing Sheets



U.S. PATENT DOCUMENTS

D496,643 S * 9/2004 Yoo et al. D14/138
 D498,736 S * 11/2004 Lee D14/138
 D507,551 S * 7/2005 Kim et al. D14/138
 D508,035 S * 8/2005 Kim et al. D14/138
 D515,055 S * 2/2006 Oe et al. D14/138
 D515,056 S * 2/2006 Oe et al. D14/138
 D515,057 S * 2/2006 Oe et al. D14/138
 D518,467 S * 4/2006 Kim et al. D14/138
 D522,987 S * 6/2006 Oe et al. D14/138
 D525,224 S * 7/2006 Pitt et al. D14/138
 D538,772 S * 3/2007 Cha et al. D14/138
 D540,767 S * 4/2007 Kim et al. D14/138
 D544,852 S * 6/2007 Takamori et al. D14/138
 D545,287 S * 6/2007 Han et al. D14/138
 2001/0011029 A1 * 8/2001 Iwabuchi et al. 455/566
 2004/0203535 A1 * 10/2004 Kim et al. 455/90.3
 2004/0209645 A1 * 10/2004 Park et al. 455/556.1
 2005/0140778 A1 * 6/2005 Kim et al. 348/14.02
 2005/0245296 A1 * 11/2005 Hong et al. 455/575.3
 2005/0282596 A1 * 12/2005 Park et al. 455/575.3
 2006/0019728 A1 * 1/2006 Sakamoto et al. 455/575.3
 2006/0135225 A1 * 6/2006 Lin et al. 455/575.3
 2006/0148542 A1 * 7/2006 Oliver 455/575.3

OTHER PUBLICATIONS

Nokia N90, announced 2nd quarter 2005, [online], [retrieved on Jul. 5, 2007]. Retrieved from Internet ,<URL: <http://www.gsmarena.com>>.*
 Nokia N92, announced 4th quarter 2005, [online], [retrieved on Jul. 5, 2007]. Retrieved from Internet ,<URL: <http://www.gsmarena.com>>.*
 Nokia N93i, announced Jan. 2007, [online], [retrieved on Jul. 5, 2007]. Retrieved from Internet ,<URL: <http://www.gsmarena.com>>.*
 Nokia N93, announced Apr. 2006, [online], [retrieved on Jul. 5, 2007]. Retrieved from Internet ,<URL: <http://www.gsmarena.com>>.*
 Samsung D700, announced 3rd quarter 2003, [online], [retrieved on Jul. 5, 2007]. Retrieved from Internet ,<URL: <http://www.gsmarena.com>>.*
 Samsung D550, announced Jun. 2005, [online], [retrieved on Jul. 6, 2007]. Retrieved from Internet ,<URL: <http://www.gsmarena.com>>.*
 Samsung D300, announced Feb. 2006, [online], [retrieved on Jul. 6, 2007]. Retrieved from Internet ,<URL: <http://www.gsmarena.com>>.*

* cited by examiner

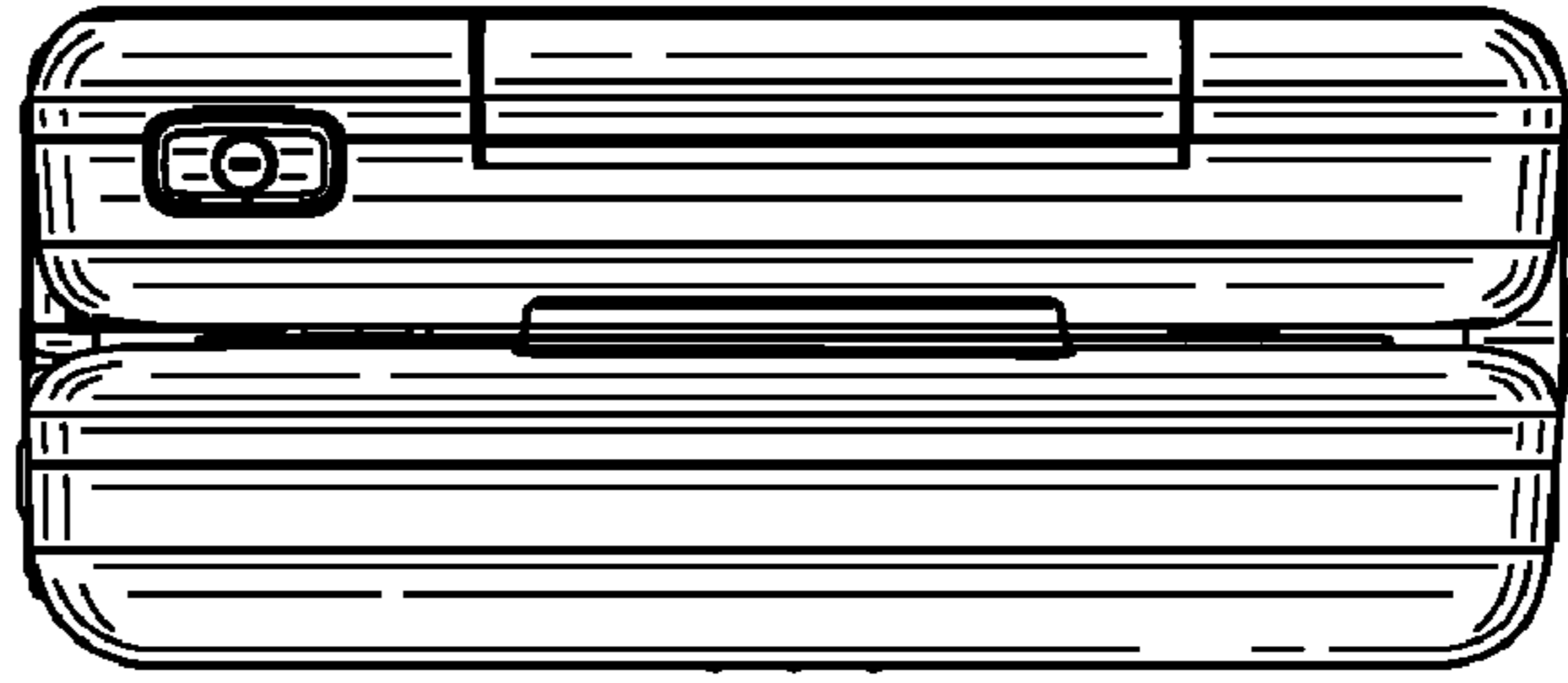


FIG. 1

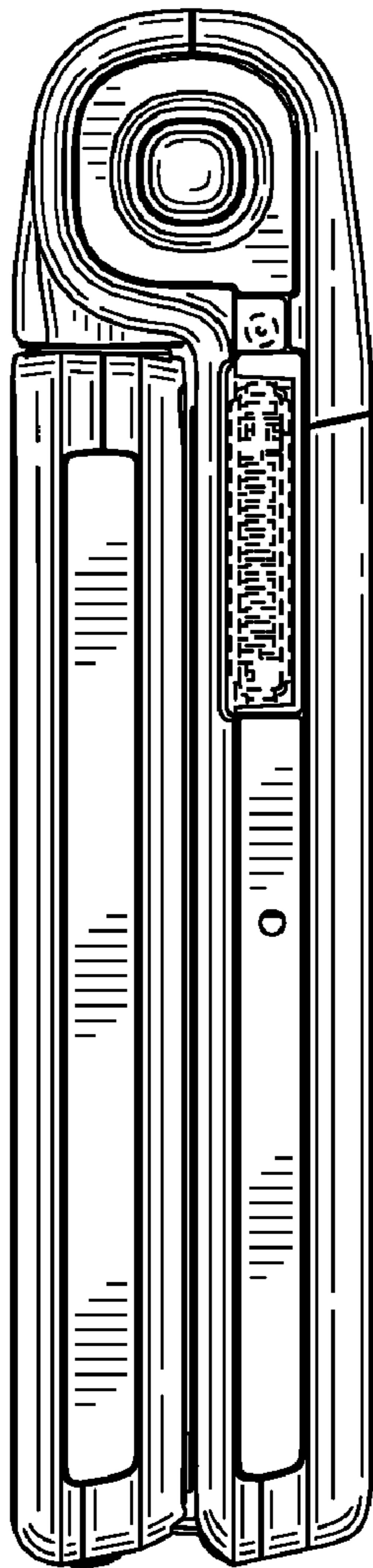


FIG. 2

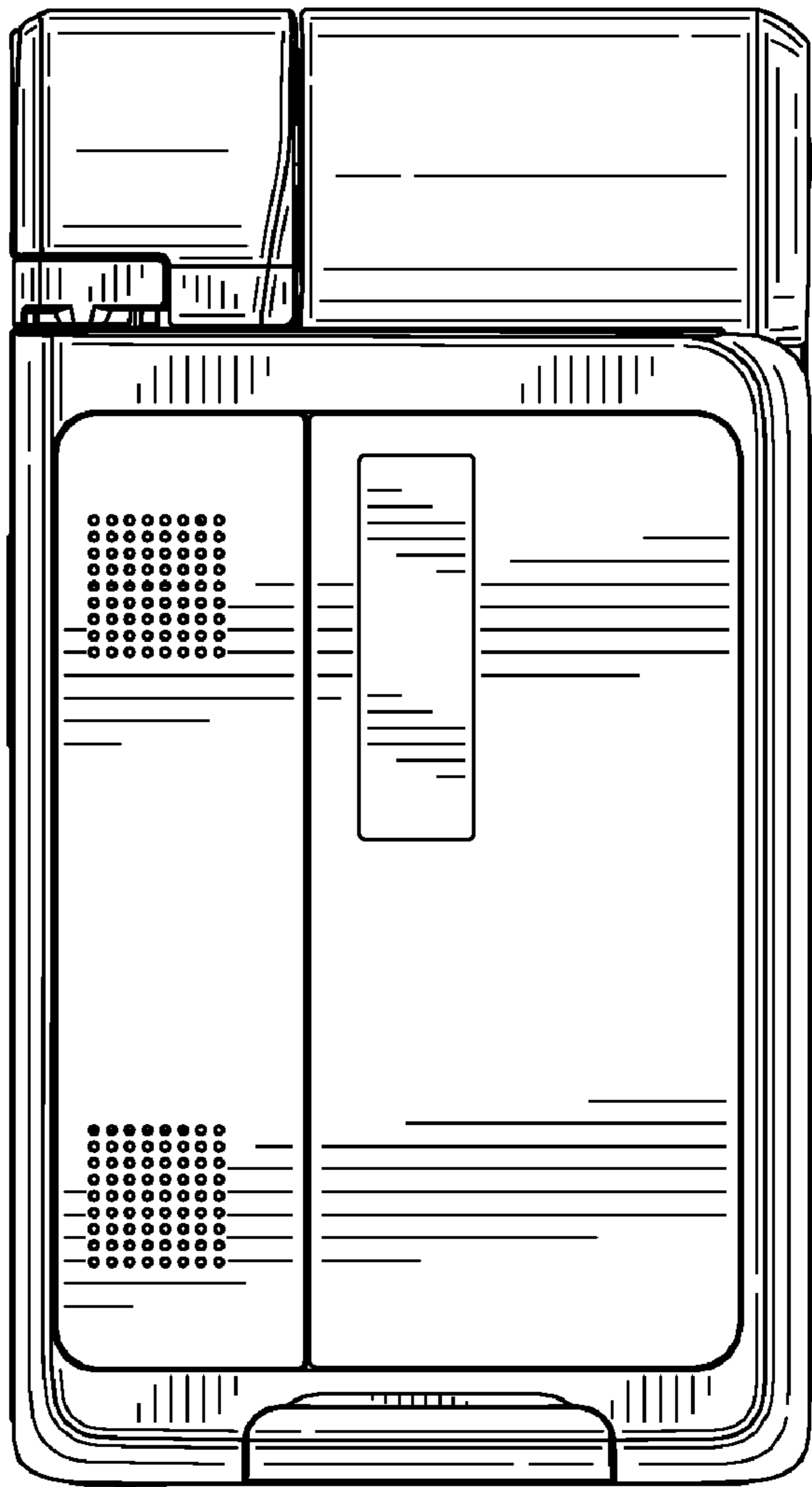


FIG. 3

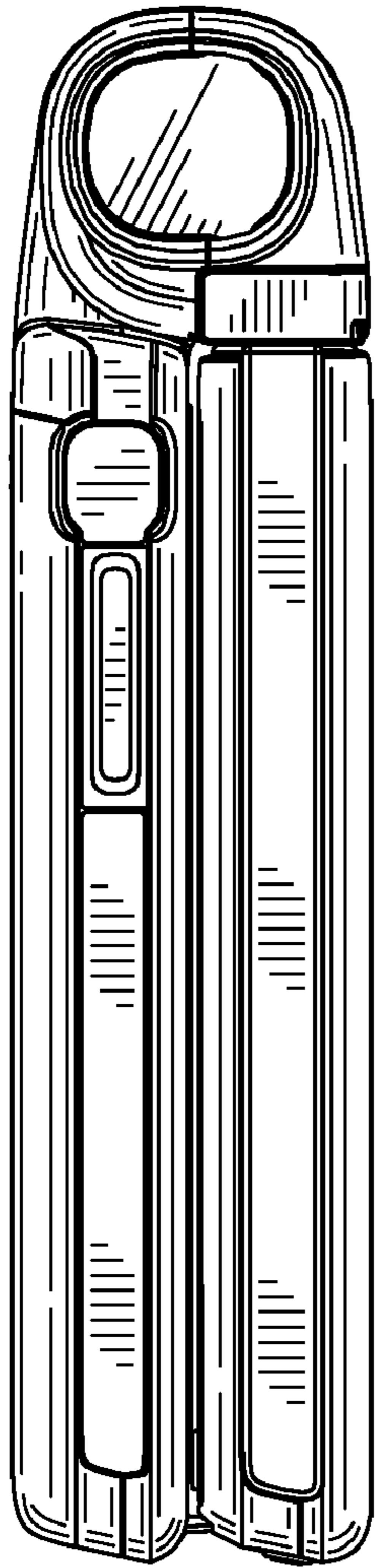


FIG. 4

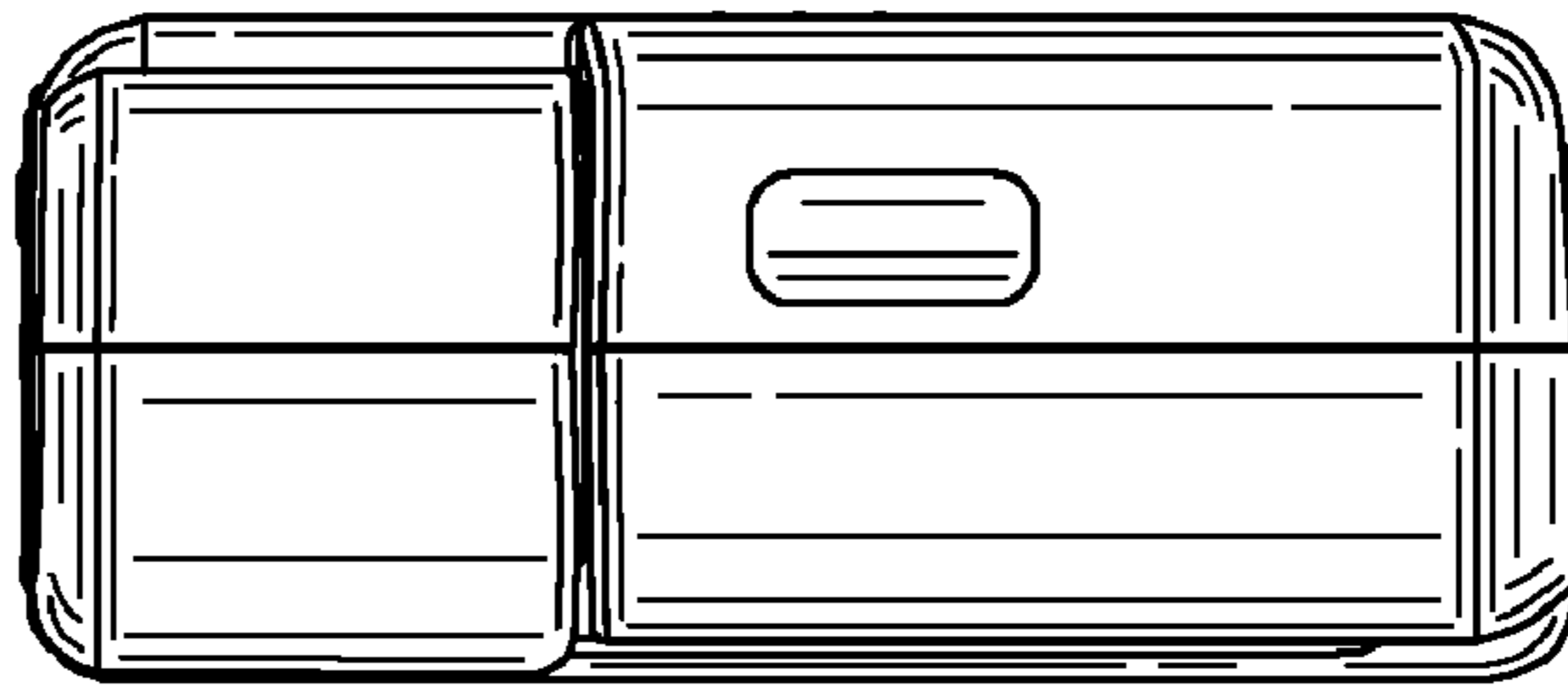


FIG. 5

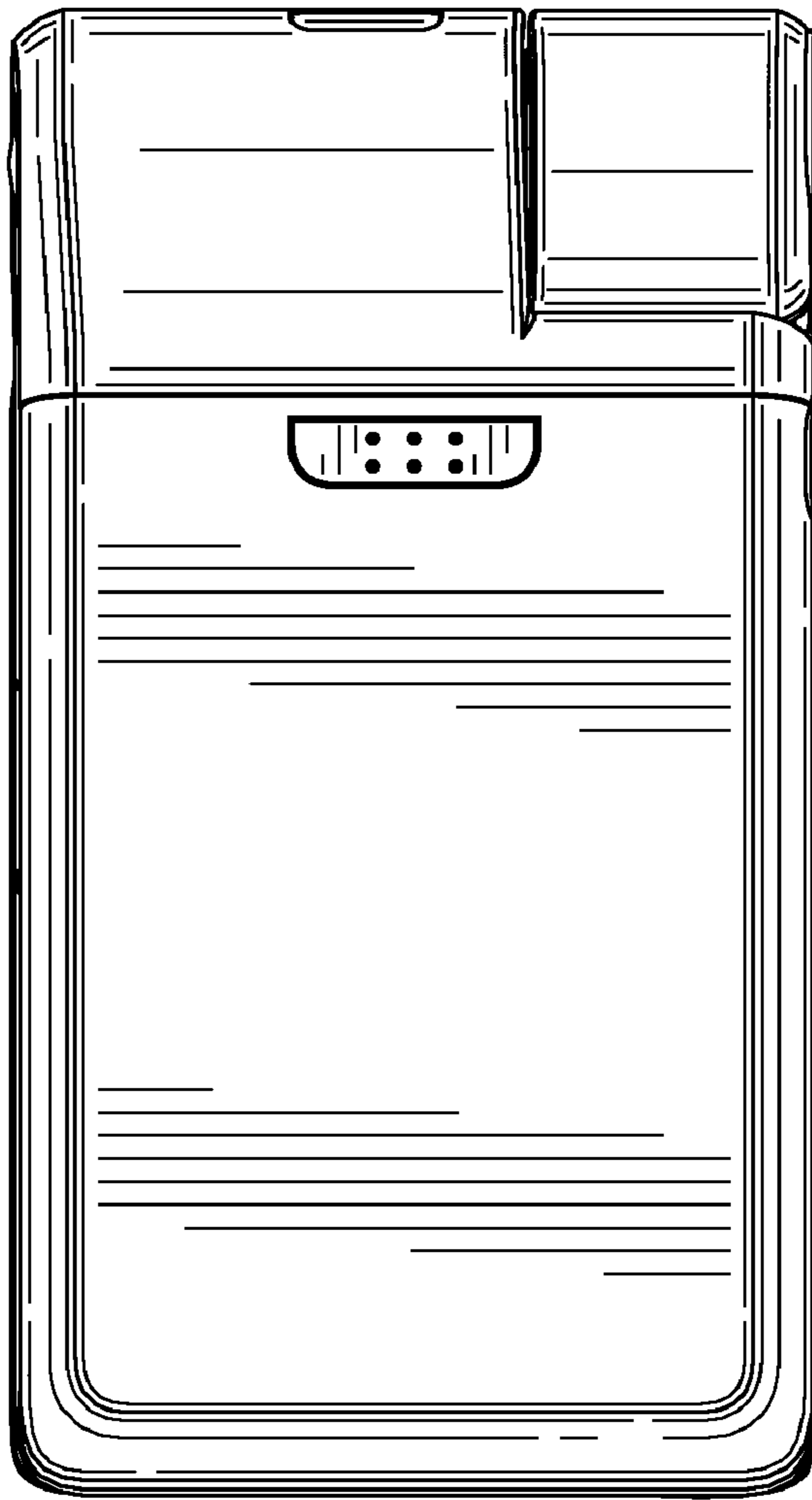


FIG. 6

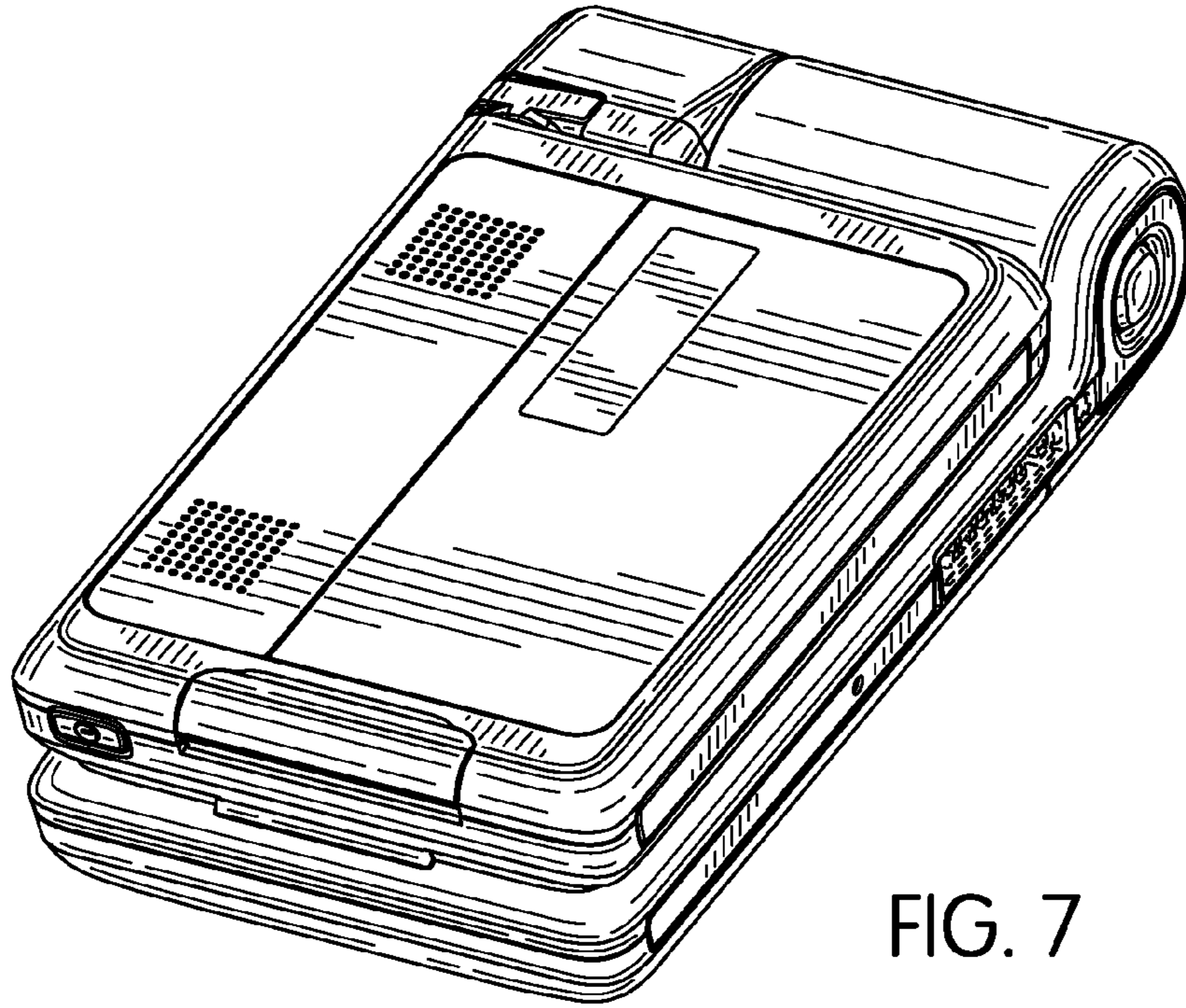


FIG. 7

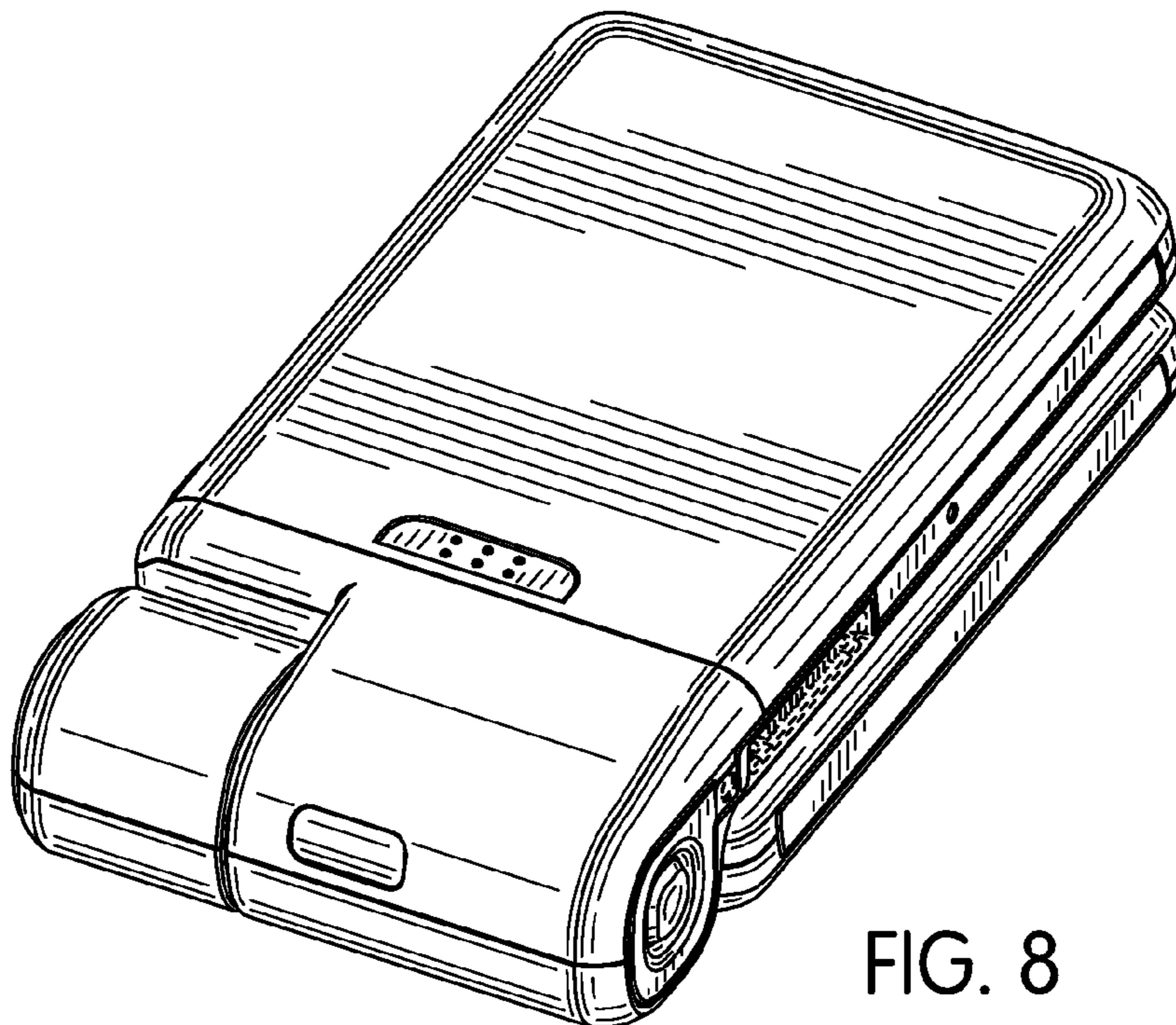


FIG. 8

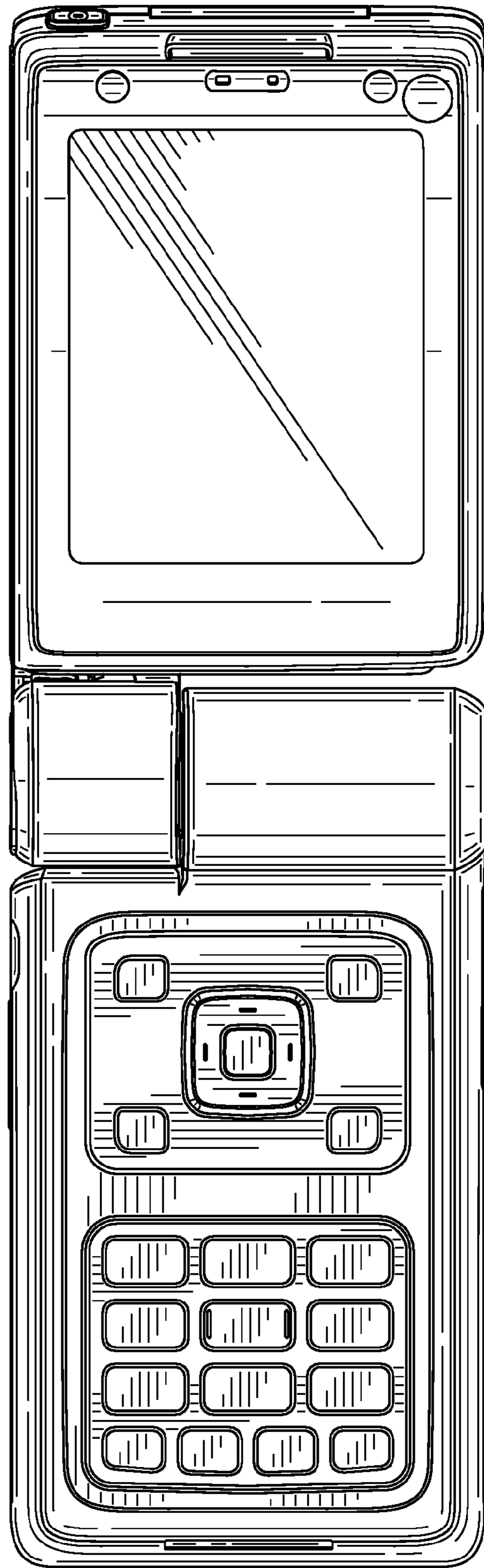


FIG. 9

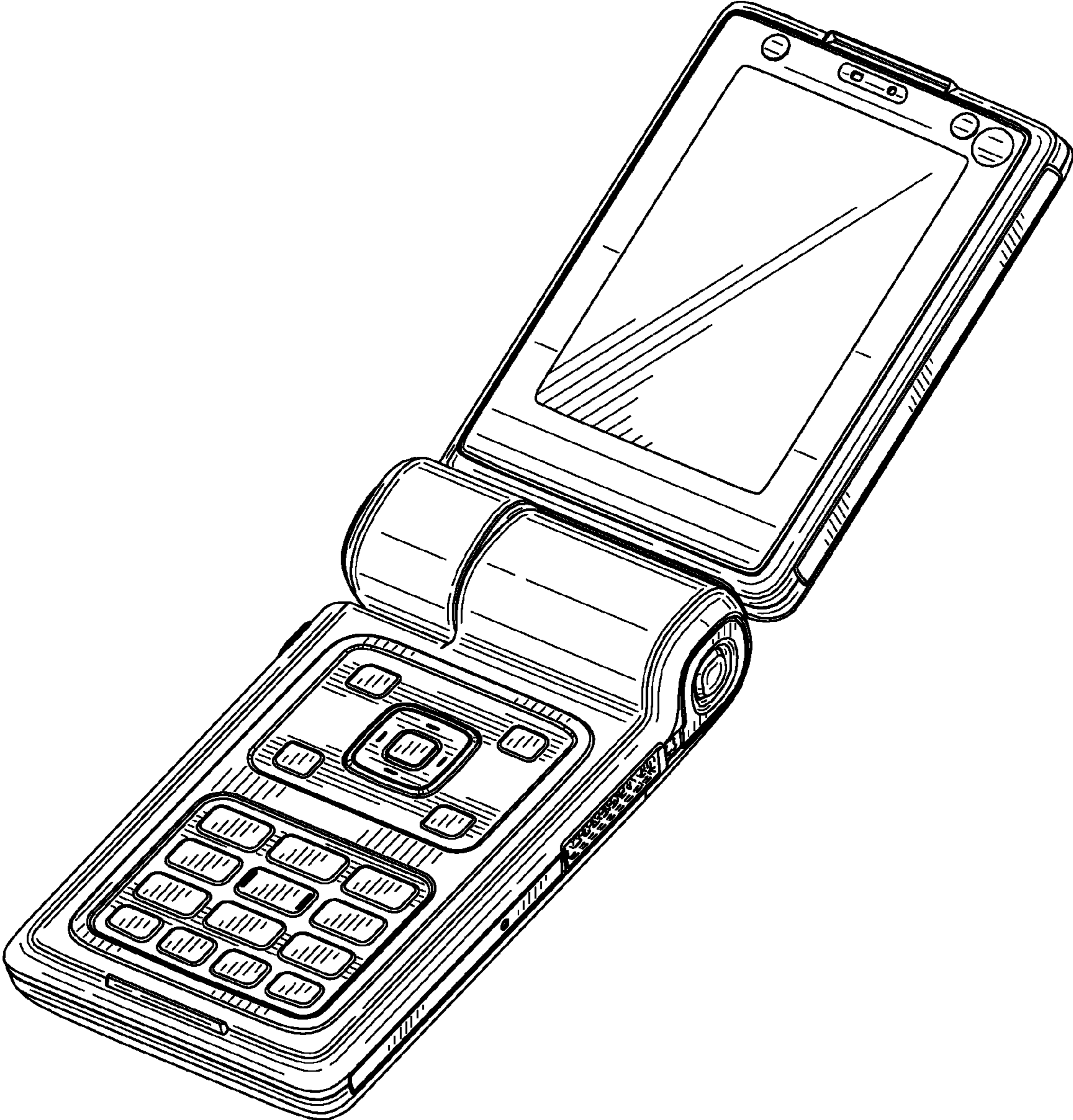


FIG. 10

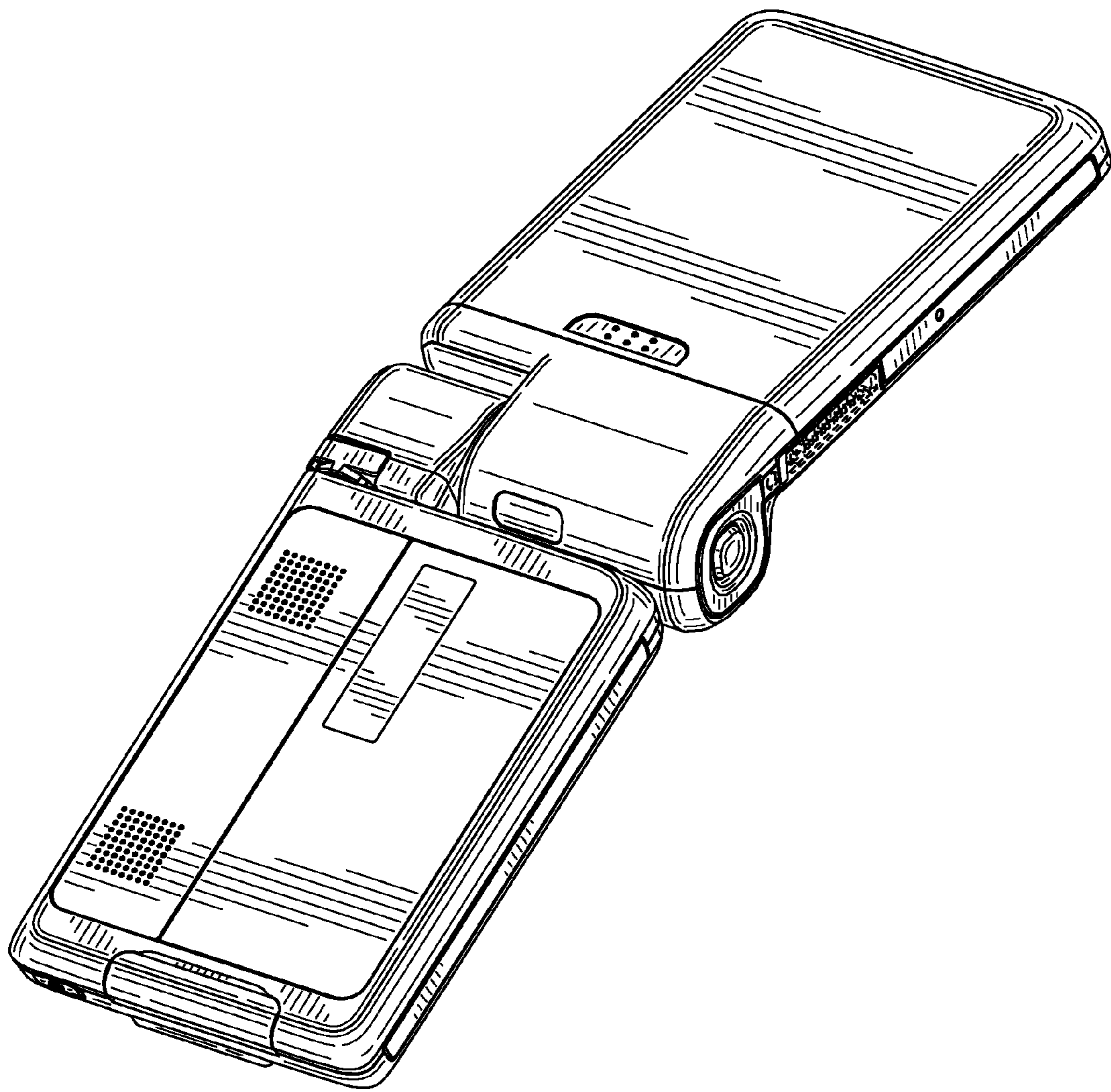


FIG. 11

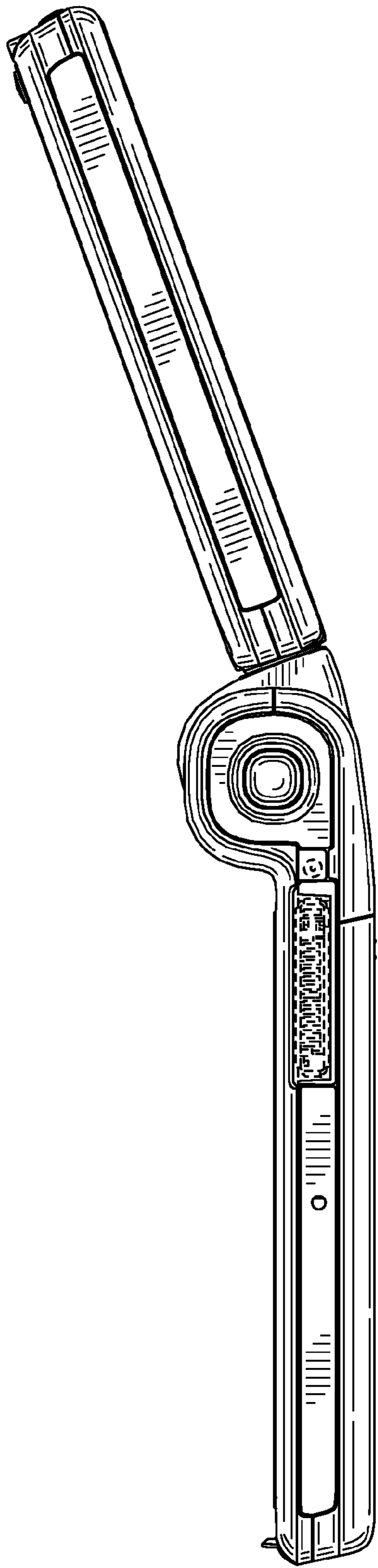


FIG. 12

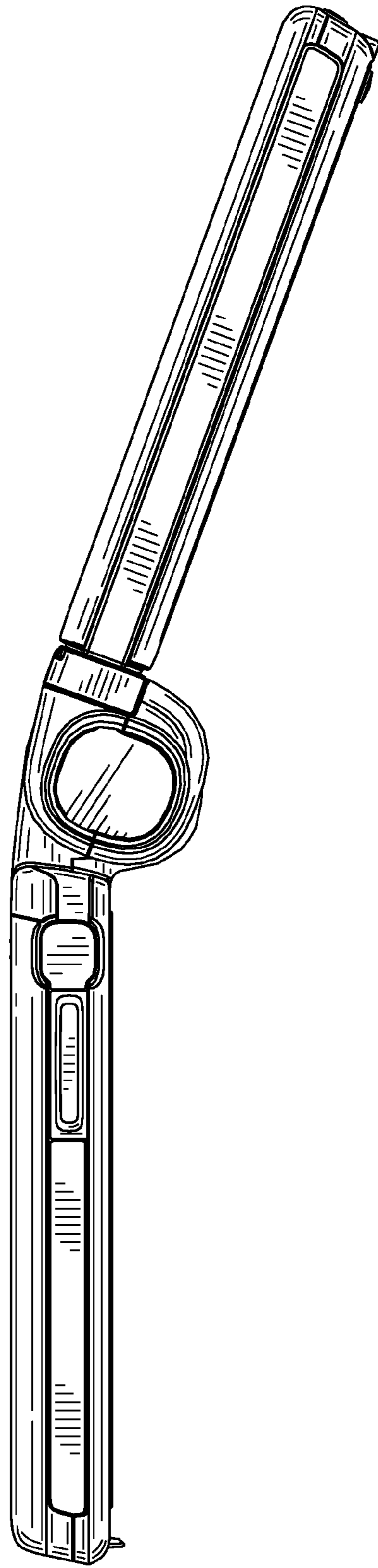


FIG. 13

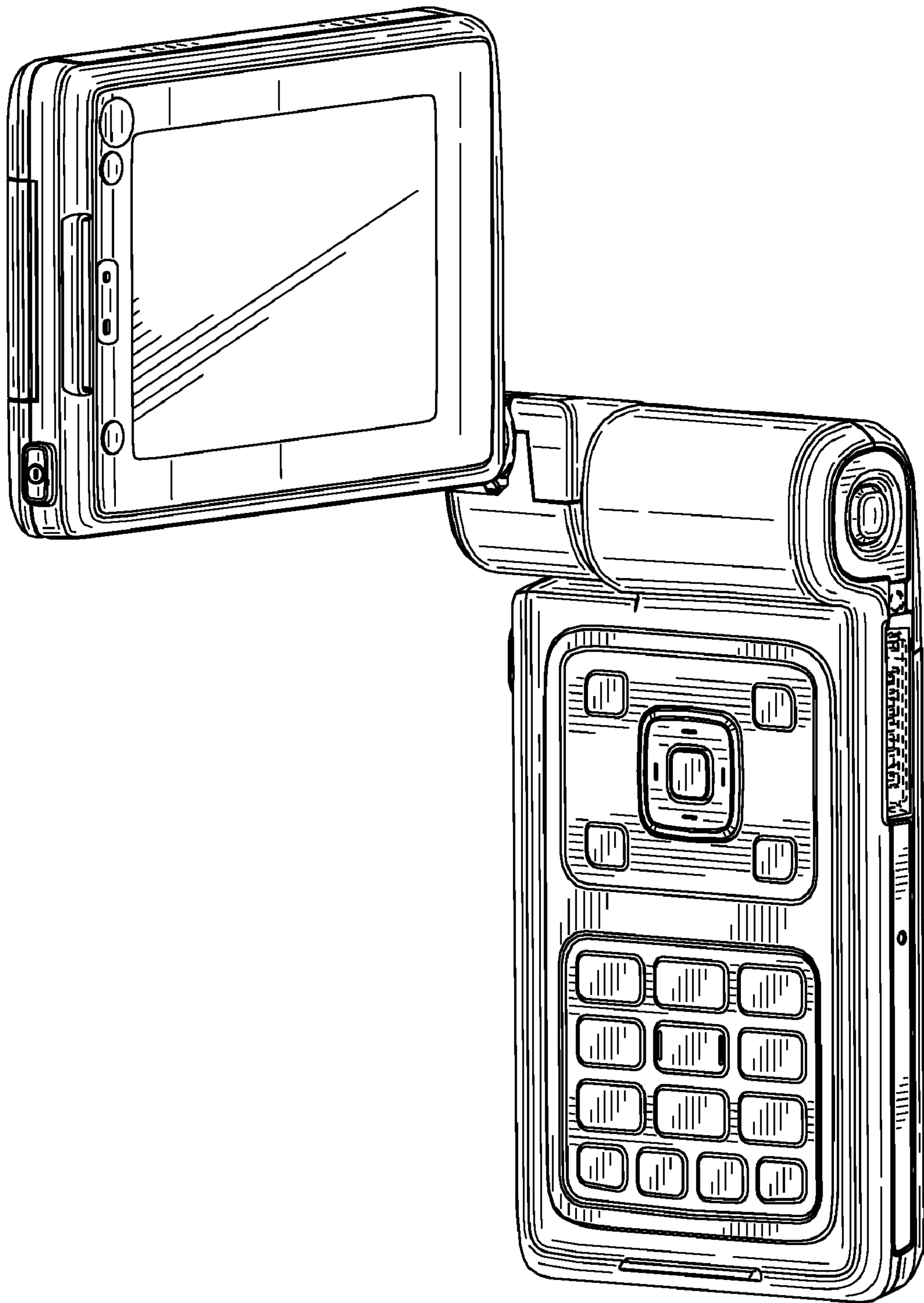


FIG. 14

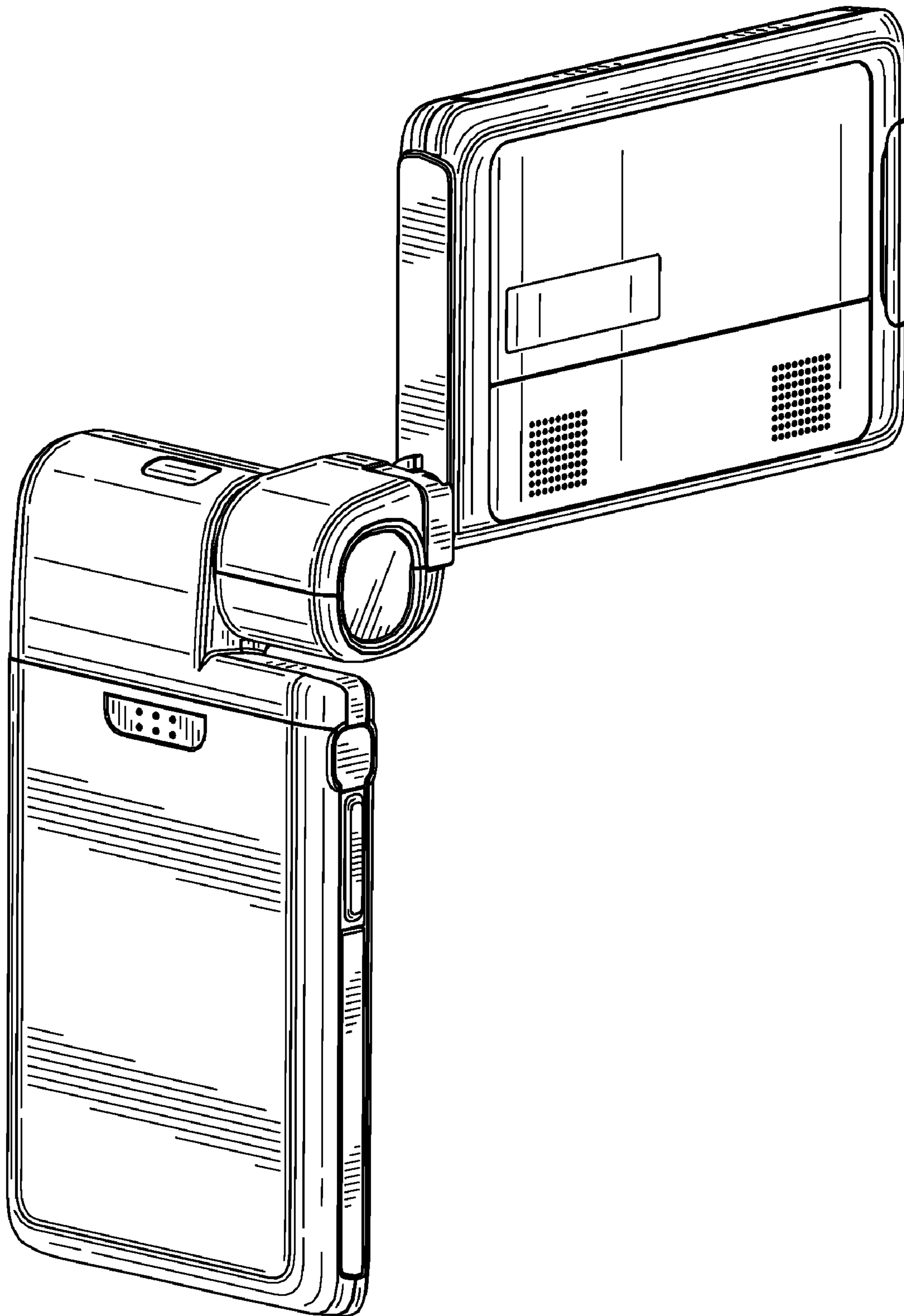


FIG. 15

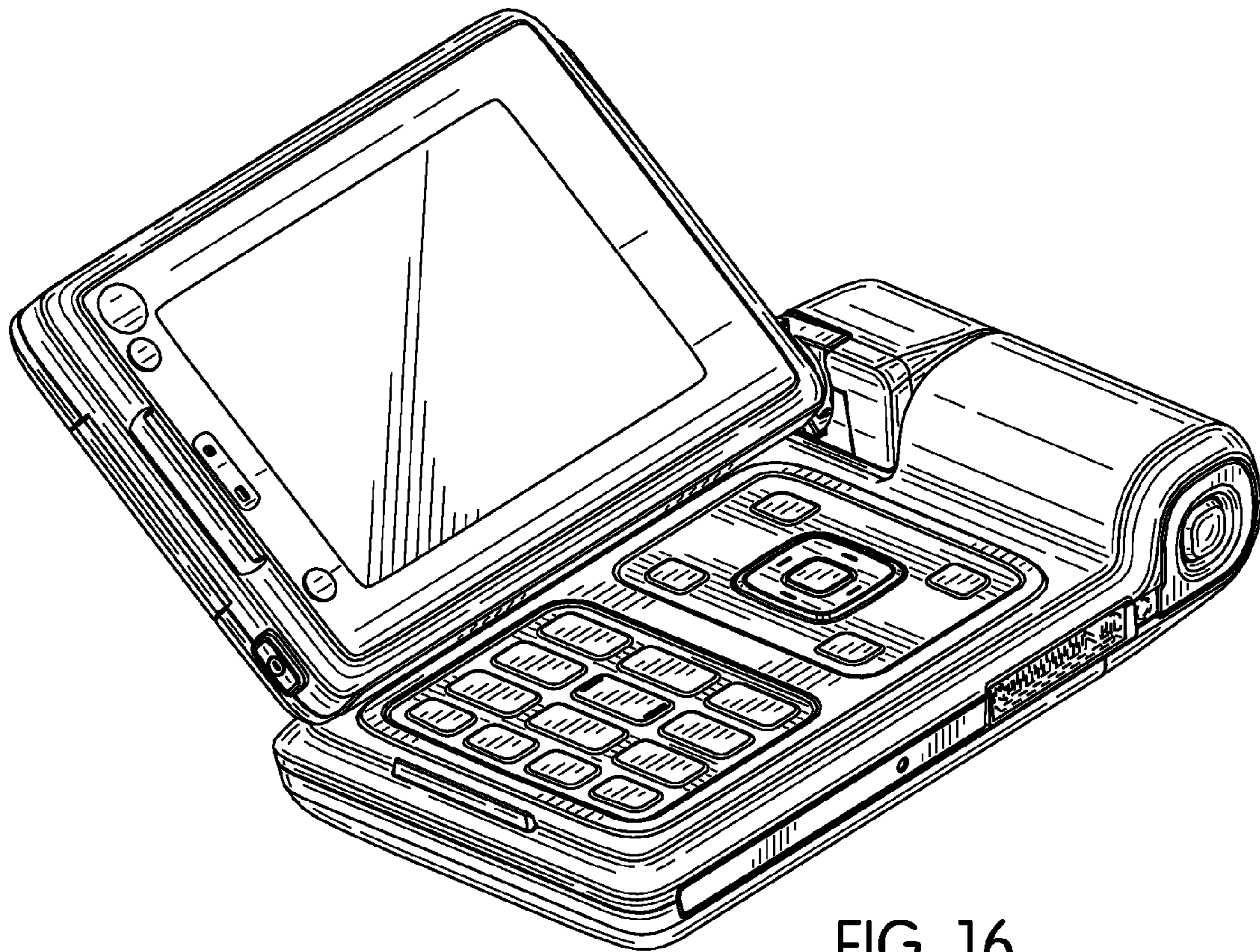


FIG. 16

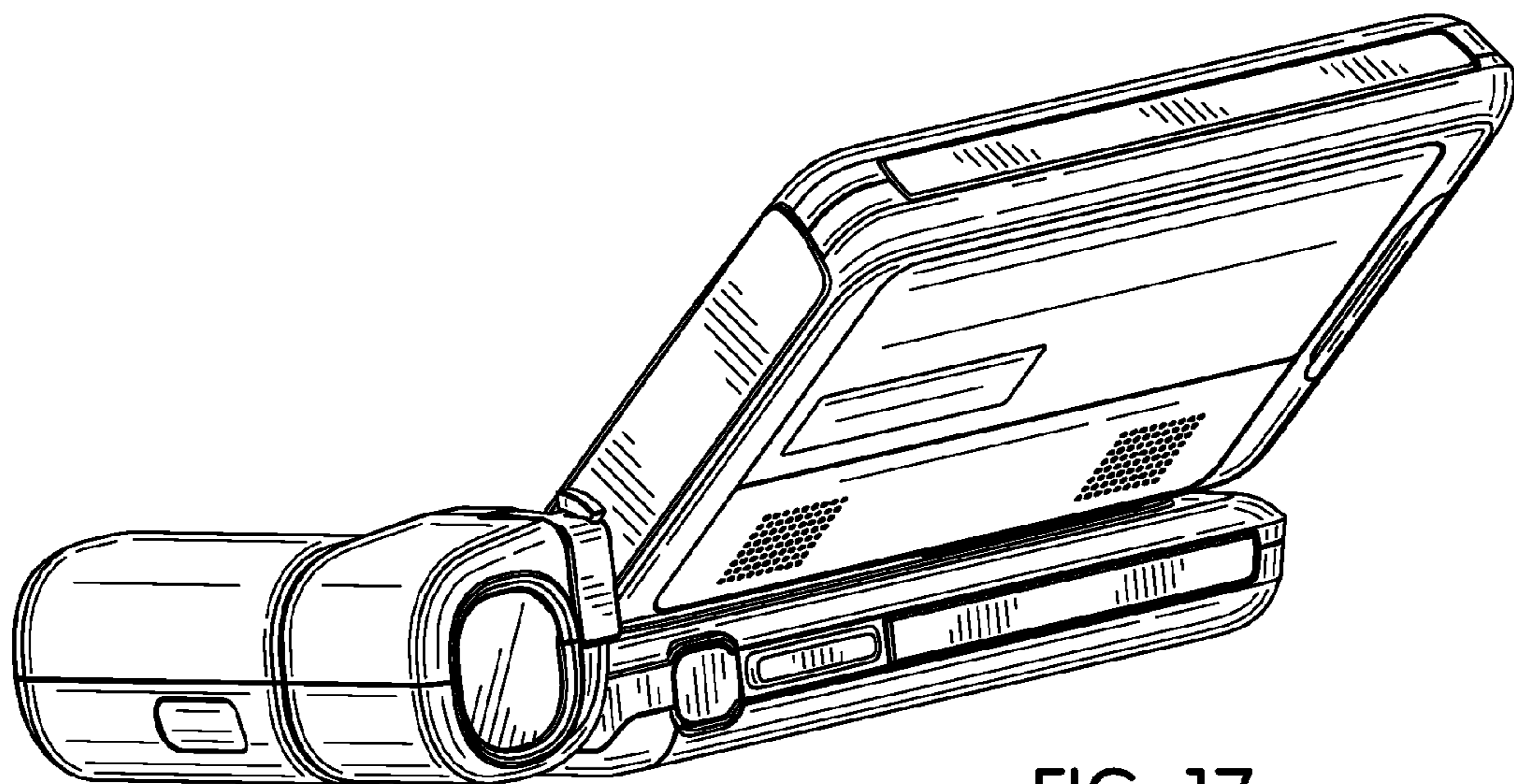


FIG. 17